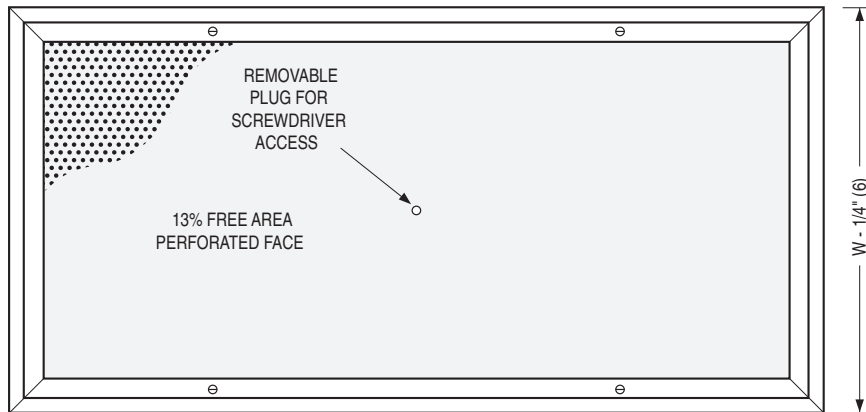
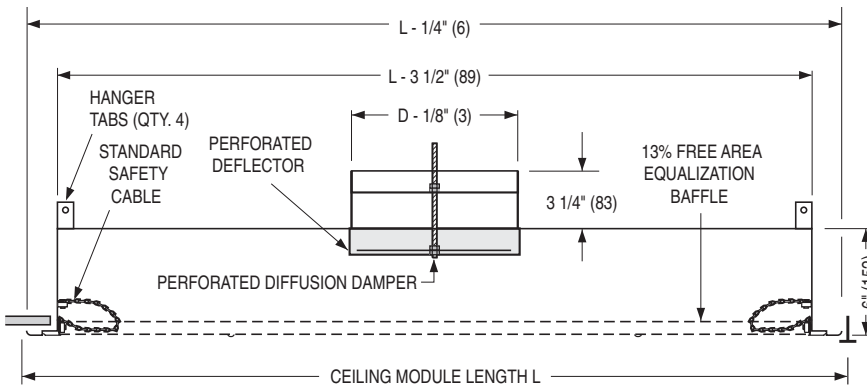
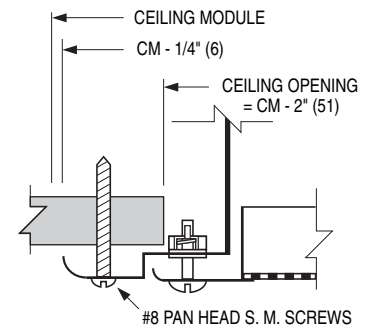




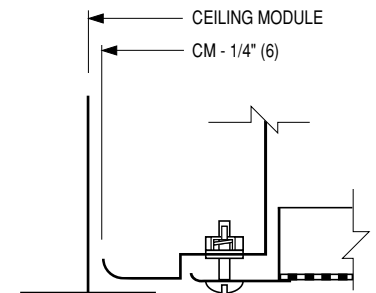
LAMINAR FLOW CEILING DIFFUSER
STEEL • NON-CRITICAL APPLICATIONS
LOW CAPACITY DESIGN
MODEL: 92LFD



TYPE S Surface Mount Detail



TYPE L* Lay-in T-Bar Detail



*Compatible with all T-Bars up to 2" (51) wide.

Ceiling Module Sizes L x W & Nominal Round Duct Sizes D

L x W	Imperial Modules (inches)		48 x 12	60 x 12	72 x 12	24 x 24	36 x 24	48 x 24	60 x 24	72 x 24
	Metric Modules (mm)		1200 x 300	1500 x 300	1800 x 300	600 x 600	900 x 600	1200 x 600	1500 x 600	1800 x 600
Duct Size D	(inches)		6, 7, 8	6, 7, 8	6, 7, 8	6, 7, 8, 10	6, 7, 8, 10, 12	7, 8, 10, 12	8, 10, 12	8, 10, 12
	(mm)		152, 178, 203	152, 178, 203	152, 178, 203	152, 178, 203, 254	152, 178, 203, 254, 305	178, 203, 254, 305	203, 254, 305	203, 254, 305

DESCRIPTION:

The Model 92LFD Laminar Flow Diffuser is a low capacity/airflow range design and produces a non-aspirating, low velocity vertical air pattern. Recommended face velocity range is 20 – 60 cfm/sq. ft.

The steel construction 92LFD is designed to meet budgetary needs. Located above the work area, they provide a controlled low velocity downward projection "piston" of conditioned supply air.

The only significant amount of room air entrainment occurs at the outer boundary of the laminar flow mass, outside the confines of the operating table.

Applications include low invasive/minor surgical procedure operating rooms and clean rooms such as research laboratories, animal labs, food processing, pharmaceutical labs and computer rooms where localized heavy cooling loads present a problem.

CONSTRUCTION:

1. Extruded aluminum frame and steel perforated face with 3/32" (2.4) dia. holes on 60 degree 1/4" (6) staggered centers (13% free area). The face plate is removable for cleaning and is secured by 1/4 turn fasteners.
2. Corrosion resistant steel backpan, perforated inlet deflector ring and disk type damper. Damper adjustment through removable face plug.
3. Standard safety cables prevent accidental dropping of removable face.
4. Standard finish is AW Appliance White.

OPTIONS:

- EX External foil-back insulation (installed) – R-4.2. Finish:
- SP Special _____ .

Dimensions are in inches (mm).

SCHEDULE TYPE:

PROJECT:

ENGINEER:

CONTRACTOR:

DATE

B SERIES

SUPERSEDES

DRAWING NO.

6 - 7 - 16

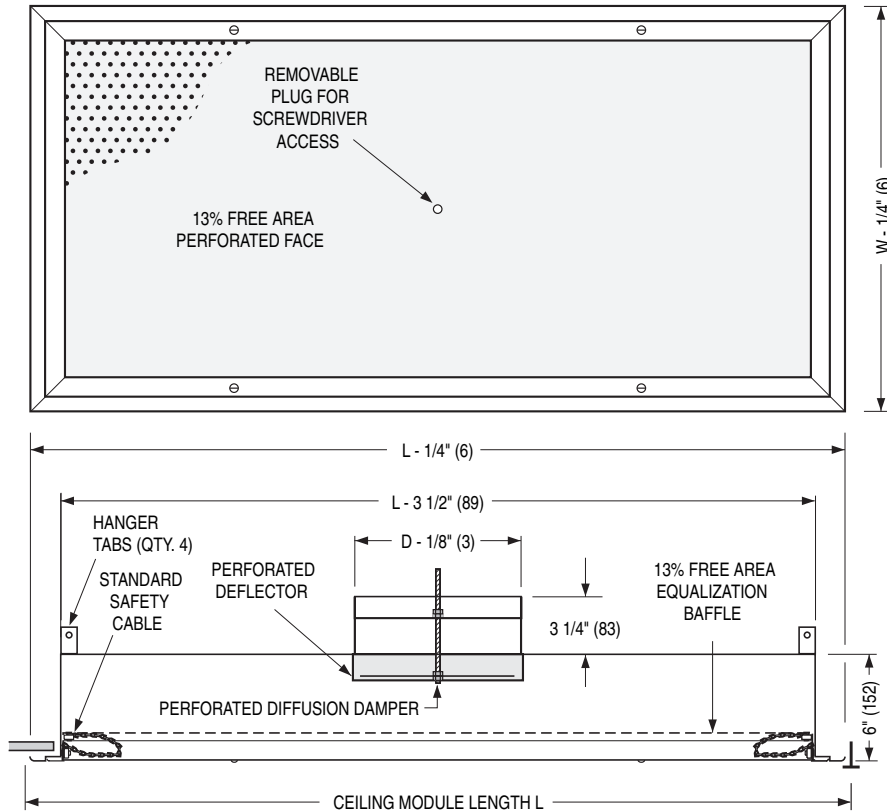
9200

10 - 28 - 15

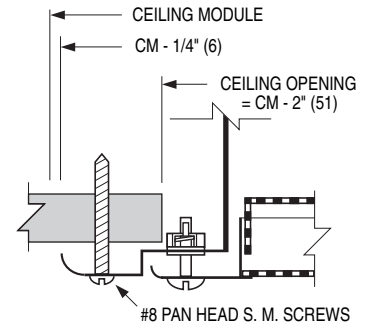
92LFD



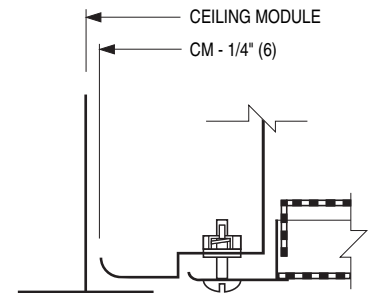
LAMINAR FLOW CEILING DIFFUSER
ALUMINUM • DUAL CHAMBER
CRITICAL ENVIRONMENT APPLICATIONS
LOW CAPACITY DESIGN
MODEL: 92LFD-AL



TYPE S Surface Mount Detail



TYPE L* Lay-in T-Bar Detail



*Compatible with all T-Bars up to 2" (51) wide.

Ceiling Module Sizes L x W & Nominal Round Duct Sizes D

L x W	Imperial Modules (inches)		48 x 12	60 x 12	72 x 12	24 x 24	36 x 24	48 x 24	60 x 24	72 x 24
	Metric Modules (mm)		1200 x 300	1500 x 300	1800 x 300	600 x 600	900 x 600	1200 x 600	1500 x 600	1800 x 600
Duct Size D	(inches)		6, 7, 8	6, 7, 8	6, 7, 8	6, 7, 8, 10	6, 7, 8, 10, 12	7, 8, 10, 12	8, 10, 12	8, 10, 12
	(mm)		152, 178, 203	152, 178, 203	152, 178, 203	152, 178, 203, 254	152, 178, 203, 254, 305	178, 203, 254, 305	203, 254, 305	203, 254, 305

DESCRIPTION:

The Model 92LFD-AL Laminar Flow Diffuser is a low capacity/airflow range design and produces a non-aspirating, low velocity vertical air pattern. Recommended face velocity range is 20 – 60 cfm/sq. ft. Installed above the operating table in a hospital operating room, the 'clean' conditioned air flows over the operating table so helping to protect and effectively isolate the patient from contaminated air. The "dual chamber" design and internal baffles provide improved air distribution across the perforated diffuser face resulting in superior performance. The only significant amount of room air entrainment occurs at the outer boundary of the laminar flow mass, outside the confines of the operating table. Other applications include clean rooms such as research laboratories, animal labs, food processing, pharmaceutical labs and computer rooms where localized heavy cooling loads present a problem.

CONSTRUCTION:

1. Extruded aluminum frame and aluminum perforated face with 3/32" (2.4) dia. holes on 60 degree 1/4" (6) staggered centers (13% free area). The face plate is removable for cleaning and is secured by 1/4 turn fasteners.
2. Corrosion resistant steel backpan, perforated inlet deflector ring and disk type damper. Damper adjustment through removable face plug.
3. Standard safety cables prevent accidental dropping of removable face.
4. Standard finish is AW Appliance White.

OPTIONS:

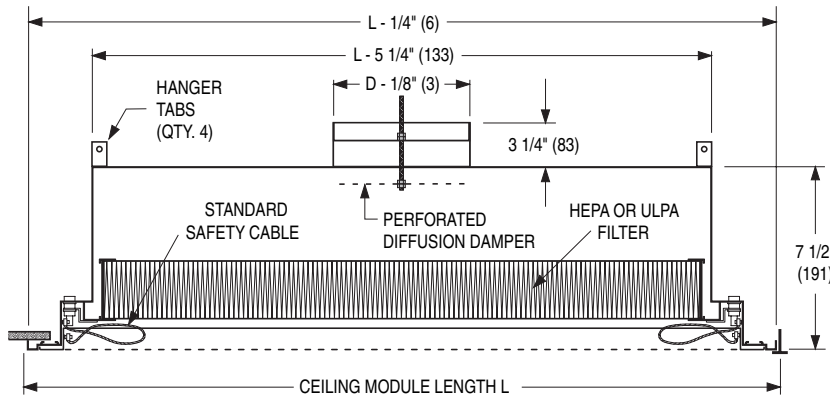
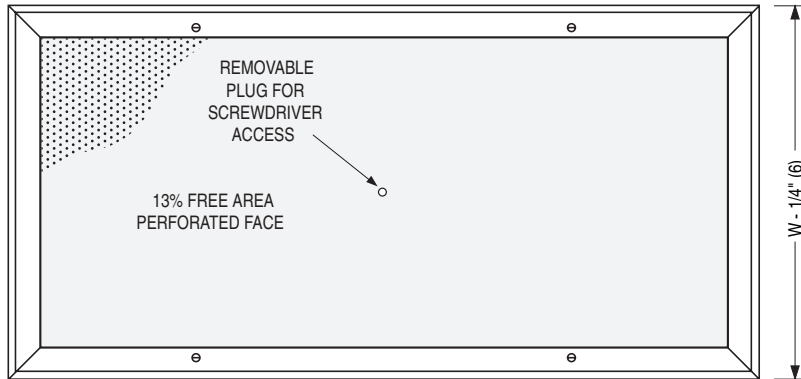
- AB Aluminum backpan, deflector and damper.
 - EX External foil-back insulation (installed) – R-4.2.
- Finish:
- SP Special _____ .

Dimensions are in inches (mm).

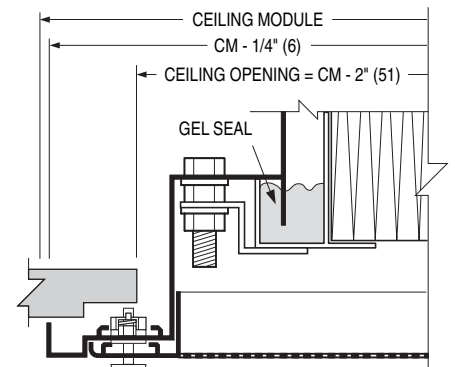
SCHEDULE TYPE:				
PROJECT:				
ENGINEER:	DATE	B SERIES	SUPERSEDES	DRAWING NO.
CONTRACTOR:	10 - 28 - 15	9200	9 - 15 - 10	92LFD-AL



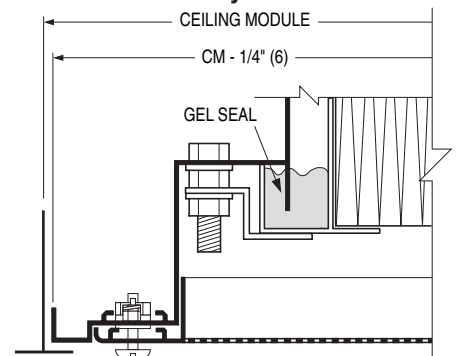
LAMINAR FLOW CEILING DIFFUSER WITH FILTER RACK
ALUMINUM • LOW CAPACITY DESIGN • HEPA OR
ULPA FILTER
MODEL: 92LFDF-AL



TYPE S Surface Mount Detail



TYPE L* Lay-in T-Bar Detail



*Compatible with 15/16" (24) or 1" (25) T-Bar only.

Ceiling Module Sizes L x W & Nominal Round Duct Sizes D

L x W	Imperial Modules (inches)	48 x 12	60 x 12	24 x 24	36 x 24	48 x 24	60 x 24
	Metric Modules (mm)	1200 x 300	1500 x 300	600 x 600	900 x 600	1200 x 600	1500 x 600
Duct Size D	(inches)	6	6	6, 7, 8	6, 7, 8, 10	7, 8, 10, 12	10, 12
	(mm)	152	152	152, 178, 203	152, 178, 203, 254	178, 203, 254, 305	254, 305

CLEANROOM APPLICATIONS:
For DOP/PAO Scan tested model, cable operated damper and other options, see Model 92LFDFS-AL.

DESCRIPTION:

The Model 92LFDF-AL Laminar Flow Diffuser is a low capacity/airflow range design that produces a non-aspirating, low velocity vertical air pattern. Recommended face velocity is 20 – 60 cfm/sq. ft. Incorporating an extended plenum and a unique frame they are designed to accommodate a Gel Seal HEPA or ULPA filter. The filters can be easily removed and replaced from the face of the unit. Installed above the operating table in a hospital operating room, the 'clean' conditioned air flows over the operating table so helping to protect and effectively isolate the patient from contaminated air. The installed HEPA or ULPA filter together with the diffusion damper equalizes air distribution across the perforated face resulting in excellent performance. The only significant amount of room air entrainment occurs at the outer boundary of the laminar flow mass, outside the confines of the operating table. Other applications include non-critical budgetary research laboratories, animal labs, food processing and computer rooms where localized heavy cooling loads present a problem.

CONSTRUCTION:

1. Extruded aluminum frame and aluminum perforated face with 3/32" (2.4) dia. holes on 60 degree 1/4" (6) staggered centers (13% free area). The face plate is removable for cleaning and is secured by 1/4 turn fasteners.
2. Aluminum backpan and disk type damper. Damper adjustment through removable face plug.
3. Standard safety cables prevent accidental dropping of removable face.
4. HEPA Filter: Clear anodized extruded aluminum filter frame with port for damper adjustment.
5. Standard finish is AW Appliance White.

OPTIONS:

- UL ULPA Filter (99.9995% on 0.12 µm).
 - FBO Filter by others.
 - EX External foil-back insulation (installed) – R-4.2.
- Finish:
- SP Special _____ .

SCHEDULE TYPE

PROJECT

ENGINEER

CONTRACTOR

Dimensions are in inches (mm).

DATE

B SERIES

SUPERSEDES

DRAWING NO.

7 - 11 - 19

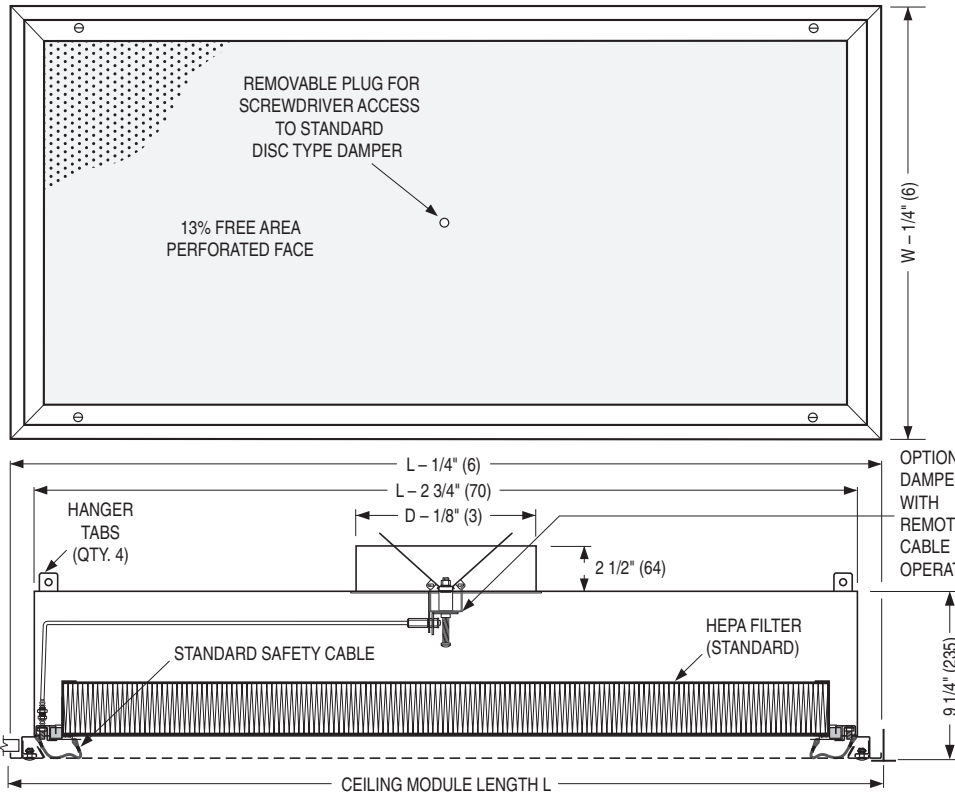
9200

6 - 27 - 19

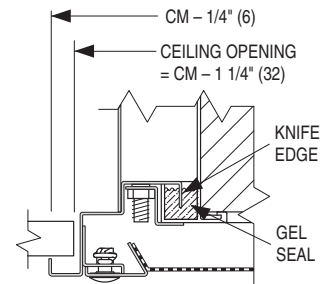
92LFDF-AL



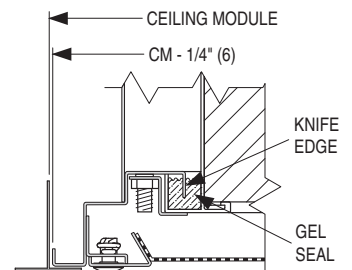
LAMINAR FLOW CEILING DIFFUSER
ALUMINUM HYBRID • CRITICAL ENVIRONMENT
APPLICATIONS • LOW CAPACITY DESIGN
HEPA OR ULPA FILTER • DOP SCAN TESTED
MODEL: 92LDFDS-AL



TYPE S Surface Mount Detail

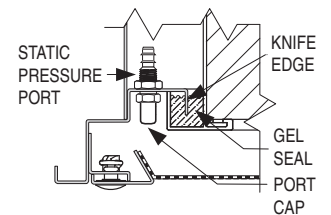


TYPE L* Lay-in T-Bar Detail



* COMPATIBLE WITH T-BARS UP TO 1 1/2" (38) WIDE

Optional Static Pressure Port



Ceiling Module Sizes L x W & Nominal Round Duct Sizes D

L x W	Imperial Modules (inches)	48 x 12	60 x 12	24 x 24	36 x 24	48 x 24	60 x 24
	Metric Modules (mm)	1200 x 300	1500 x 300	600 x 600	900 x 600	1200 x 600	1500 x 600
Duct Size D	(inches)	6, 7, 8	6, 7, 8	6, 7, 8	6, 7, 8, 10	7, 8, 10, 12	10, 12
	(mm)	152, 178, 203	152, 178, 203	152, 178, 203	152, 178, 203, 254	178, 203, 254, 305	254, 305

DESCRIPTION:

The Model 92LDFDS-AL Laminar Flow Diffuser is a low capacity/airflow range design that produces a non-aspirating, low velocity vertical air pattern. Recommended face velocity is 20 – 60 cfm/sq. ft. Incorporating an extended plenum and a unique frame they are designed to accommodate a Gel Seal HEPA or ULPA filter. The filters can be easily removed and replaced from the face of the unit. Installed above the operating table in a hospital operating room, the 'clean' conditioned air flows over the operating table so helping to protect and effectively isolate the patient from contaminated air. The installed HEPA or ULPA filter equalizes air distribution across the perforated face resulting in excellent performance. The plenum is factory DOP scan tested for leaks in accordance with Standard IEST-RP-CCO34.3. The only significant amount of room air entrainment occurs at the outer boundary of the laminar flow mass, outside the confines of the operating table. Other applications include clean rooms such as research laboratories, animal labs, food processing, pharmaceutical labs and computer rooms where localized heavy cooling loads present a problem.

CONSTRUCTION:

- 304 stainless steel frame and aluminum perforated face with 3/32" (2.4) dia. holes on 60 degree 1/4" (6) staggered centers (13% free area). The face plate is removable for cleaning and is secured by 1/4 turn fasteners.
- 304 stainless steel fully welded plenum and face operated disc type damper.
- Standard safety cables prevent accidental dropping of removable face.
- HEPA Filter: Clear anodized extruded aluminum filter frame with port for damper adjustment.
- Standard finish is AW Appliance White.

OPTIONS AND ACCESSORIES:

- UL ULPA Filter (99.9995% on 0.12 μm).
- FBO Filter by others.
- BDS Butterfly damper, Stainless Steel (face operated).
- BDSR Butterfly damper, Stainless Steel with remote cable operator.
- RDS Radial opposed blade damper, Stainless Steel (face operated).
- RDSR Radial OBD, Stainless Steel with remote cable operator.
- EX External foil-back insulation (installed) – R-4.2.
- SPP Static pressure test/DOP port.
- CPM DOP/PAO Challenge Port and Manifold.
- LFI LED Loaded Filter Indicator.
- STC Scan Testing Certificate.
- SP Special Finish _____.
- PDB Perforated Diffusion Basket.

SCHEDULE TYPE:

PROJECT:

ENGINEER:

CONTRACTOR:

Dimensions are in inches (mm).

DATE

B SERIES

SUPERSEDES

DRAWING NO.

7 - 17 - 17

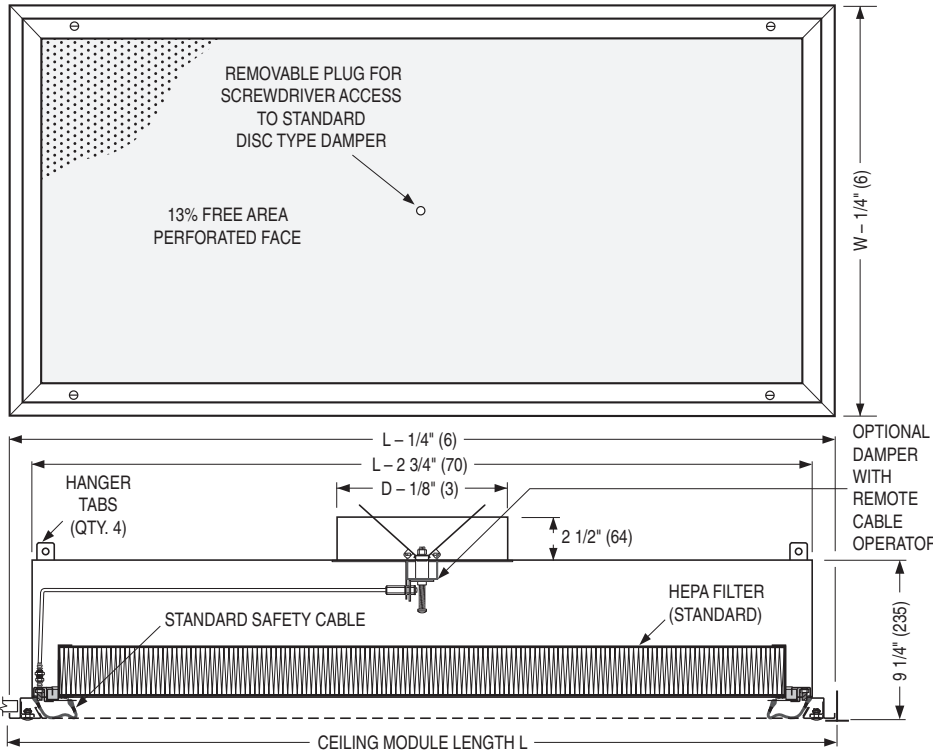
9200

1 - 5 - 16

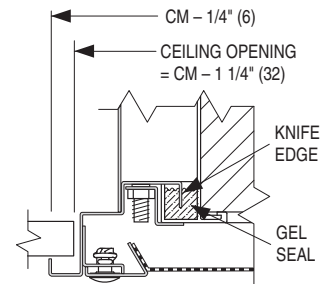
92LDFDS-AL



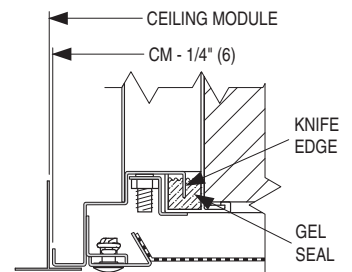
LAMINAR FLOW CEILING DIFFUSER
 STAINLESS STEEL • CRITICAL ENVIRONMENT
 APPLICATIONS • LOW CAPACITY DESIGN
 HEPA OR ULPA FILTER • DOP SCAN TESTED
MODEL: 92LDFD-SS



TYPE S Surface Mount Detail

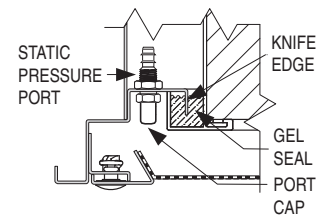


TYPE L* Lay-in T-Bar Detail



* COMPATIBLE WITH T-BARS UP TO 1 1/2" (38) WIDE

Optional Static Pressure Port



Ceiling Module Sizes L x W & Nominal Round Duct Sizes D

L x W	Imperial Modules (inches)							
	24 x 12	48 x 12	60 x 12	24 x 24	36 x 24	48 x 24	60 x 24	
	Metric Modules (mm)							
	600 x 300	1200 x 300	1500 x 300	600 x 600	900 x 600	1200 x 600	1500 x 600	
Duct Size D	(inches)	6, 7, 8	6, 7, 8	6, 7, 8	6, 7, 8	6, 7, 8, 10	7, 8, 10, 12	10, 12
	(mm)	152, 178, 203	152, 178, 203	152, 178, 203	152, 178, 203	152, 178, 203, 254	178, 203, 254, 305	254, 305

DESCRIPTION:

The Model 92LDFD-SS Laminar Flow Diffuser is a low capacity/airflow range design that produces a non-aspirating, low velocity vertical air pattern. Recommended face velocity is 20 - 60 cfm/sq. ft. Incorporating an extended plenum and a unique frame they are designed to accommodate a Gel Seal HEPA or ULPA filter. The filters can be easily removed and replaced from the face of the unit.

Installed above the operating table in a hospital operating room, the 'clean' conditioned air flows over the operating table so helping to protect and effectively isolate the patient from contaminated air. The installed HEPA or ULPA filter equalizes air distribution across the perforated face resulting in excellent performance.

The plenum is factory DOP scan tested for leaks in accordance with Standard IEST-RP-CCO34.3.

The only significant amount of room air entrainment occurs at the outer boundary of the laminar flow mass, outside the confines of the operating table.

Other applications include clean rooms such as research laboratories, animal labs, food processing, pharmaceutical labs and computer rooms where localized heavy cooling loads present a problem.

CONSTRUCTION:

- 304 stainless steel frame and perforated face with 3/32" (2.4) dia. holes on 60 degree 1/4" (6) staggered centers (13% free area). The face plate is removable for cleaning and is secured by 1/4 turn fasteners.
- 304 stainless steel fully welded plenum and face operated disc type damper.
- Standard safety cables prevent accidental dropping of removable face.
- HEPA Filter: Clear anodized extruded aluminum filter frame with port for damper adjustment.
- Standard finish is #4 Brushed Satin Polished.

OPTIONS AND ACCESSORIES:

- 316 Stainless Steel construction.
 - UL ULPA Filter (99.9995% on 0.12 µm).
 - FBO Filter by others.
 - BDS Butterfly damper, Stainless Steel (face operated).
 - BDSR Butterfly damper w/remote cable operator, Stainless Steel.
 - RDS Radial opposed blade damper, Stainless Steel (face operated).
 - RDSR Radial opposed blade damper, Stainless Steel w/remote cable operator.
 - EX External foil-back insulation (installed) - R-4.2.
 - SPP Static pressure test/DOP port.
 - CPM DOP/PAO Challenge Port and Manifold.
 - LFI LED Loaded Filter Indicator.
 - PDB Perforated Diffusion Basket.
 - STC Scan Testing Certificate.
- Finish:
 AW Appliance White.
 BW British White.

SCHEDULE TYPE:

PROJECT:

ENGINEER:

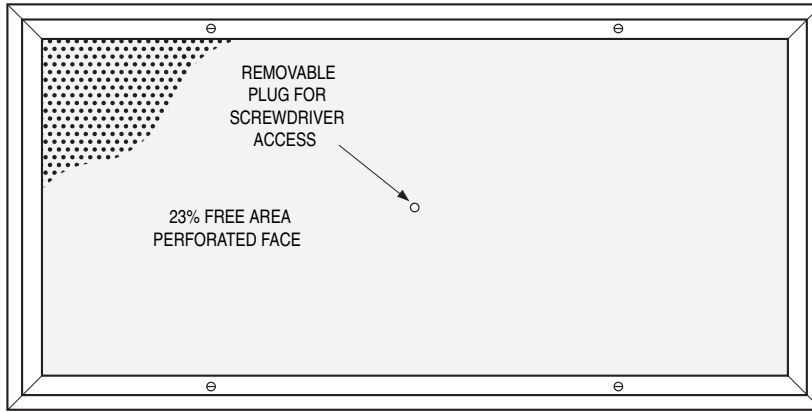
CONTRACTOR:

Dimensions are in inches (mm).

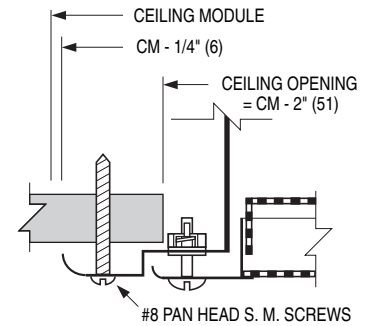
DATE	B SERIES	SUPERSEDES	DRAWING NO.
8 - 1 - 17	9200	9 - 2 - 16	92LDFD-SS



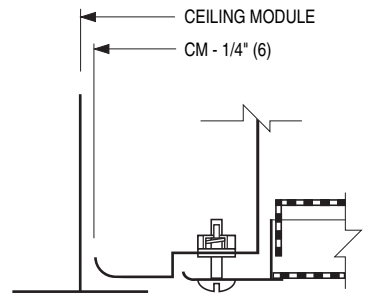
LAMINAR FLOW CEILING DIFFUSER
ALUMINUM • DUAL CHAMBER
CRITICAL ENVIRONMENT APPLICATIONS
MEDIUM CAPACITY DESIGN
MODEL: 92LFDM-AL



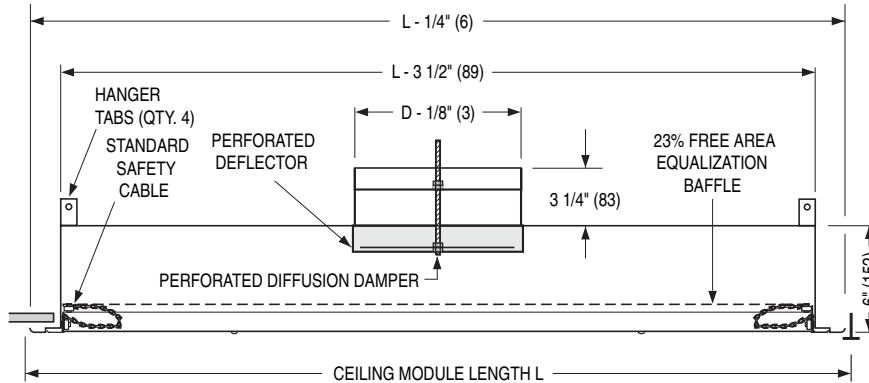
TYPE S Surface Mount Detail



TYPE L* Lay-in T-Bar Detail



*Compatible with all T-Bars up to 2" (51) wide.



Ceiling Module Sizes L x W & Nominal Round Duct Sizes D

L x W	Imperial Modules (inches)		48 x 12	60 x 12	72 x 12	24 x 24	36 x 24	48 x 24	60 x 24	72 x 24
	Metric Modules (mm)		1200 x 300	1500 x 300	1800 x 300	600 x 600	900 x 600	1200 x 600	1500 x 600	1800 x 600
Duct Size D	(inches)		8	10	10	8, 10, 12	10, 12, 14	10, 12, 14	12, 14, 16	14, 16, 18
	(mm)		203	254	254	203, 254, 305	254, 305, 356	254, 305, 356	305, 356, 406	356, 406, 457

DESCRIPTION:

The Model 92LFDM-AL Laminar Flow Diffuser is a medium capacity/airflow range design and produces a non-aspirating, low velocity vertical air pattern. Recommended face velocity range is 50 – 90 cfm/sq. ft.

Located above the work area they provide a controlled low velocity downward projection "piston" of conditioned supply air. The "dual chamber" design and internal baffles provide improved air distribution across the perforated diffuser face resulting in superior performance.

The only significant amount of room air entrainment occurs at the outer boundary of the laminar flow mass.

Applications include clean rooms such as research laboratories, animal labs, food processing, pharmaceutical labs and computer rooms where localized heavy cooling loads present a problem.

CONSTRUCTION:

1. Extruded aluminum frame, aluminum perforated face and equalization baffle with 3/32" (2.4) dia. holes on 60 degree 3/16" (5) staggered centers (23% free area). The face plate is removable for cleaning and is secured by 1/4 turn fasteners.
2. Corrosion resistant steel backpan, perforated inlet deflector ring and disk type damper. Damper adjustment through removable face plug.
3. Standard safety cables prevent accidental dropping of removable face.
4. Standard finish is AW Appliance White.

OPTIONS:

- AB Aluminum backpan, equalization baffle, deflector and damper.
- EX External foil-back insulation (installed) – R-4.2.

Finish:

- SP Special _____

SCHEDULE TYPE:

PROJECT:

ENGINEER:

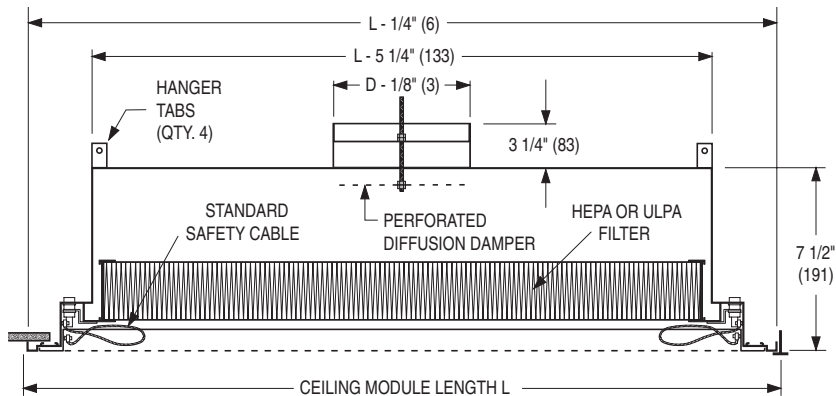
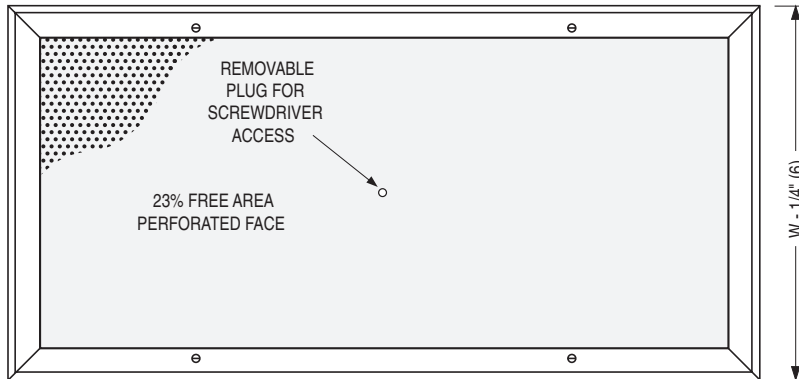
CONTRACTOR:

Dimensions are in inches (mm).

DATE	B SERIES	SUPERSEDES	DRAWING NO.
10 - 29 - 15	9200	1 - 10 - 11	92LFDM-AL



LAMINAR FLOW CEILING DIFFUSER WITH FILTER RACK
ALUMINUM • MEDIUM CAPACITY DESIGN • HEPA OR
ULPA FILTER
MODEL: 92LFDMF-AL



Ceiling Module Sizes L x W & Nominal Round Duct Sizes D

L x W	Imperial Modules (inches)		24 x 24	36 x 24	48 x 24	60 x 24
	Metric Modules (mm)		600 x 600	900 x 600	1200 x 600	1500 x 600
D	Duct Size (inches)		8, 10, 12	10, 12, 14	10, 12, 14	12, 14, 16
	(mm)		203, 254, 305	254, 305, 356	254, 305, 356	305, 356, 406

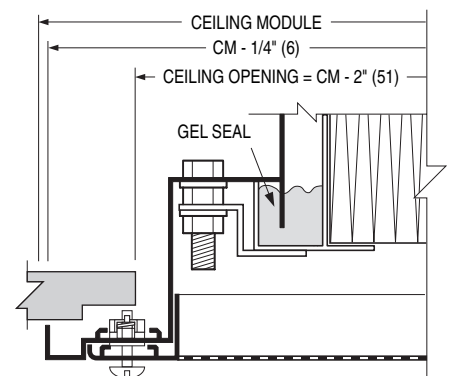
DESCRIPTION:

The Model 92LFDMF-AL Laminar Flow Diffuser is a medium capacity/airflow range design that produces a non-aspirating, low velocity vertical air pattern. Recommended face velocity is 50 – 90 cfm/sq. ft. Incorporating an extended plenum and a unique frame they are designed to accommodate a Gel Seal HEPA or ULPA filter. The filters can be easily removed and replaced from the face of the unit. Located above the work area, they provide a controlled low velocity downward projection "piston" of conditioned supply air. The installed HEPA or ULPA filter together with the diffusion damper equalizes air distribution across the perforated face resulting in excellent performance.

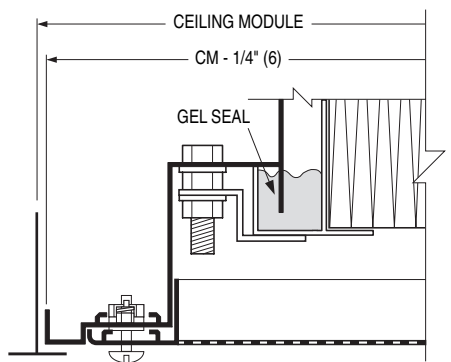
The only significant amount of room entrainment occurs at the outer boundary of the laminar flow mass.

Applications include non-critical research laboratories, animal labs, food processing and computer rooms where localized heavy cooling loads present a problem.

TYPE S Surface Mount Detail



TYPE L* Lay-in T-Bar Detail



*Compatible with 15/16" (24) or 1" (25) T-Bar only.

CLEANROOM APPLICATIONS:

For DOP/PAO Scan tested model, cable operated damper and other options, see Model 92LFDMF-SS.

CONSTRUCTION:

1. Extruded aluminum frame and aluminum perforated face with 3/32" (2.4) dia. holes on 60 degree 3/16" (5) staggered centers (23% free area). The face plate is removable for cleaning and is secured by 1/4 turn fasteners.
2. Aluminum backpan and perforated disc type damper. Damper adjustment through removable face plug.
3. Standard safety cables prevent accidental dropping of removable face.
4. HEPA Filter: Clear anodized extruded aluminum filter frame with port for damper adjustment.
5. Standard finish is AW Appliance White.

OPTIONS:

- UL ULPA Filter (99.9995% on 0.12 µm).
 - FBO Filter by others.
 - EX External foil-back insulation (installed) – R-4.2.
- Finish:
- SP Special _____ .

SCHEDULE TYPE:

PROJECT:

ENGINEER:

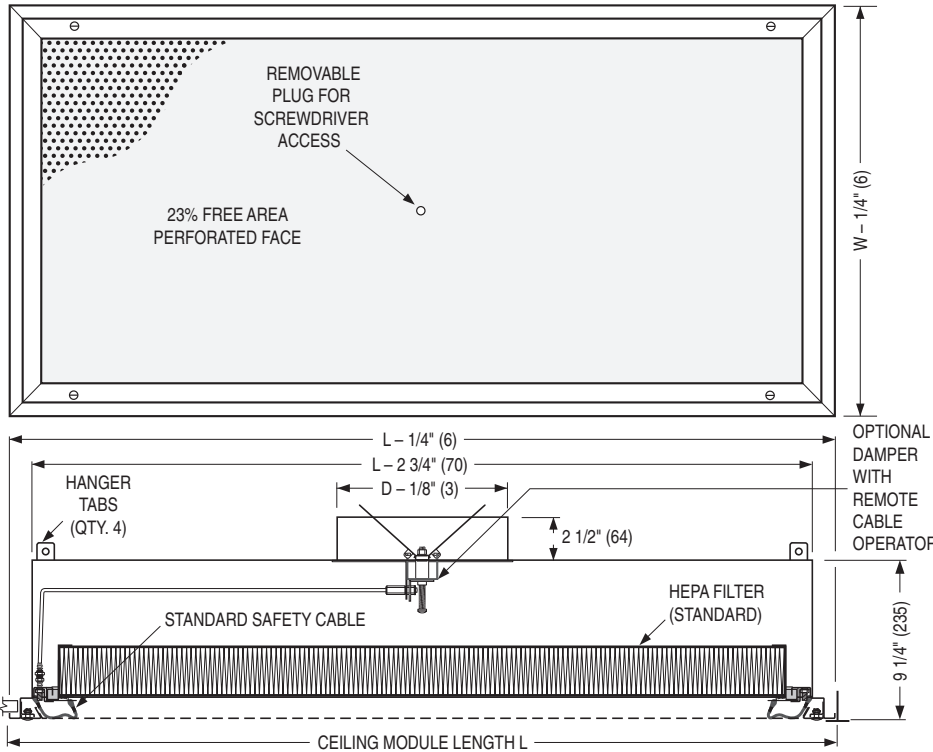
CONTRACTOR:

Dimensions are in inches (mm).

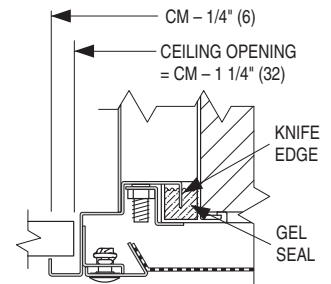
DATE	B SERIES	SUPERSEDES	DRAWING NO.
7 - 11 - 19	9200	11 - 2 - 15	92LFDMF-AL



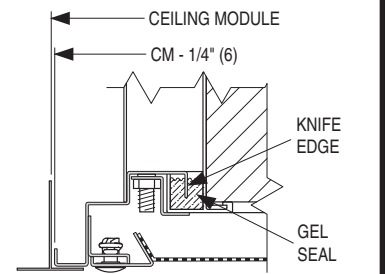
LAMINAR FLOW CEILING DIFFUSER
STAINLESS STEEL • CRITICAL ENVIRONMENT
APPLICATIONS • MEDIUM CAPACITY DESIGN
DOP SCAN TESTED • HEPA OR ULPA FILTER
MODEL: 92LFDMF-SS



TYPE S Surface Mount Detail

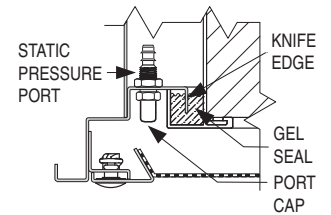


TYPE L* Lay-in T-Bar Detail



* COMPATIBLE WITH T-BARS UP TO 1 1/2" (38) WIDE

Optional Static Pressure Port



Ceiling Module Sizes L x W & Nominal Round Duct Sizes D

L x W	Imperial Modules (inches)		48 x 12	60 x 12	24 x 24	36 x 24	48 x 24	60 x 24
	Metric Modules (mm)		1200 x 300	1500 x 300	600 x 600	900 x 600	1200 x 600	1500 x 600
Duct Size D	(inches)		8	10	8, 10, 12	10, 12, 14	10, 12, 14	12, 14, 16
	(mm)		203	254	203, 254, 305	254, 305, 356	254, 305, 356	305, 356, 406

DESCRIPTION:

The Model 92LFDMF-SS Laminar Flow Diffuser is a medium capacity/airflow range design that produces a non-aspirating, low velocity vertical air pattern. Recommended face velocity is 50 – 90 cfm/sq. ft. Incorporating an extended plenum and a unique frame they are designed to accommodate a Gel Seal HEPA or ULPA filter. The filters can be easily removed and replaced from the face of the unit. Located above the work area, they provide a controlled low velocity downward projection "piston" of conditioned supply air. The "dual chamber" design and internal baffles provide improved air distribution across the perforated diffuser face resulting in superior performance. The only significant amount of room entrainment occurs at the outer boundary of the laminar flow mass. The plenum is factory DOP scan tested for leaks in accordance with Standard IEST-RP-CCO34.3. Applications include clean rooms such as research laboratories, animal labs, food processing, pharmaceutical labs and computer rooms where localized heavy cooling loads present a problem.

CONSTRUCTION:

- 304 stainless steel frame and perforated face with 3/32" (2.4) dia. holes on 60 degree 3/16" (5) staggered centers (23% free area). The face plate is removable for cleaning and is secured by 1/4 turn fasteners.
- 304 stainless steel fully welded plenum and perforated disc type damper.
- Standard safety cables prevent accidental dropping of removable face.
- HEPA Filter: Clear anodized extruded aluminum filter frame with port for damper adjustment.
- Standard finish is #4 Brushed Satin Polished.

OPTIONS AND ACCESSORIES:

- | | | |
|-------------------------------|---|--|
| <input type="checkbox"/> 316 | Stainless Steel construction. | Finish: |
| <input type="checkbox"/> UL | ULPA Filter (99.9995% on 0.12 µm). | <input type="checkbox"/> AW Appliance White. |
| <input type="checkbox"/> FBO | Filter by others. | <input type="checkbox"/> BW British White. |
| <input type="checkbox"/> BDS | Butterfly damper, Stainless Steel (face operated). | |
| <input type="checkbox"/> BDSR | Butterfly damper w/remote cable operator, Stainless Steel. | |
| <input type="checkbox"/> RDS | Radial opposed blade damper, Stainless Steel (face operated). | |
| <input type="checkbox"/> RDSR | Radial opposed blade damper, Stainless Steel w/remote cable operator. | |
| <input type="checkbox"/> EX | External foil-back insulation (installed) – R-4.2. | |
| <input type="checkbox"/> SPP | Static pressure test/DOP port. | |
| <input type="checkbox"/> CPM | DOP/PAO Challenge Port and Manifold. | |
| <input type="checkbox"/> LFI | LED Loaded Filter Indicator. | |
| <input type="checkbox"/> PDB | Perforated Diffusion Basket. | |
| <input type="checkbox"/> STC | Scan Testing Certificate. | |

SCHEDULE TYPE:

PROJECT:

ENGINEER:

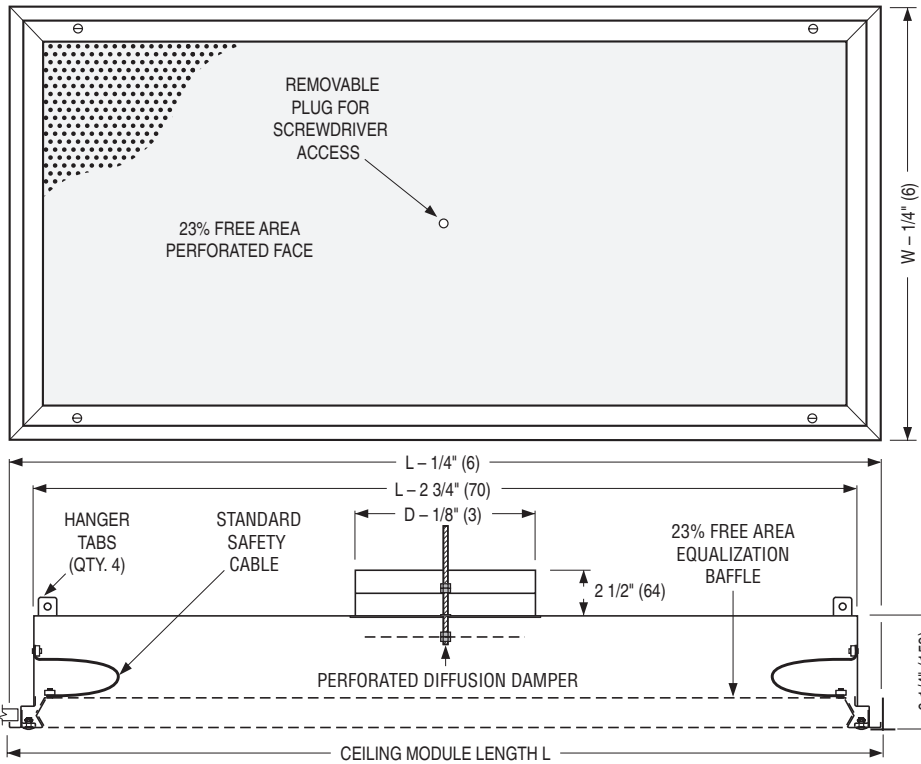
CONTRACTOR:

Dimensions are in inches (mm).

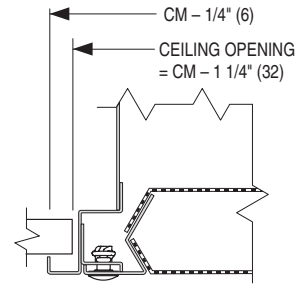
DATE	B SERIES	SUPERSEDES	DRAWING NO.
8 - 1 - 17	9200	9 - 2 - 16	92LFDMF-SS



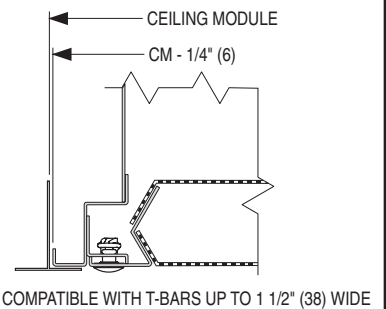
LAMINAR FLOW CEILING DIFFUSER
STAINLESS STEEL • DUAL CHAMBER
CRITICAL ENVIRONMENT APPLICATIONS
MEDIUM CAPACITY DESIGN
MODEL: 92LFDM-SS



TYPE S Surface Mount Detail



TYPE L* Lay-in T-Bar Detail



Ceiling Module Sizes L x W & Nominal Round Duct Sizes D

L x W	Imperial Modules (inches)		48 x 12	60 x 12	72 x 12	24 x 24	36 x 24	48 x 24	60 x 24	72 x 24
	Metric Modules (mm)		1200 x 300	1500 x 300	1800 x 300	600 x 600	900 x 600	1200 x 600	1500 x 600	1800 x 600
Duct Size D	(inches)		8	10	10	8, 10, 12	10, 12, 14	10, 12, 14	12, 14, 16	14, 16, 18
	(mm)		203	254	254	203, 254, 305	254, 305, 356	254, 305, 356	305, 356, 406	356, 406, 457

DESCRIPTION:

The Model 92LFDM-SS Laminar Flow Diffuser is a medium capacity/airflow range design that produces a non-aspirating, low velocity vertical air pattern. Recommended face velocity range is 50 – 90 cfm/sq. ft.

Located above the work area they provide a controlled low velocity downward projection "piston" of conditioned supply air.

The "dual chamber" design and internal baffles provide improved air distribution across the perforated face resulting in superior performance.

The only significant amount of room air entrainment occurs at the outer boundary of the laminar flow mass.

Applications include clean rooms such as research laboratories, animal labs, food processing, pharmaceutical labs and computer rooms where localized heavy cooling loads present a problem.

CONSTRUCTION:

- 304 stainless steel frame and perforated face with 3/32" (2.4) dia. holes on 60 degree 3/16" (5) staggered centers (23% free area). The face plate is removable for cleaning and is secured by 1/4 turn fasteners.
- 304 stainless steel fully welded plenum, perforated pressure plate and disc type damper. Damper adjustment through removable face plug.
- Standard safety cables prevent accidental dropping of removable face.
- Standard finish is #4 Brushed Satin Polished.

OPTIONS:

- 316 Stainless Steel construction.
- Finish:
 - AW Appliance White.
 - BW British White.
 - SP Special _____.
 - EX External foil-back insulation, R-4.2 (installed).

SCHEDULE TYPE:

PROJECT:

ENGINEER:

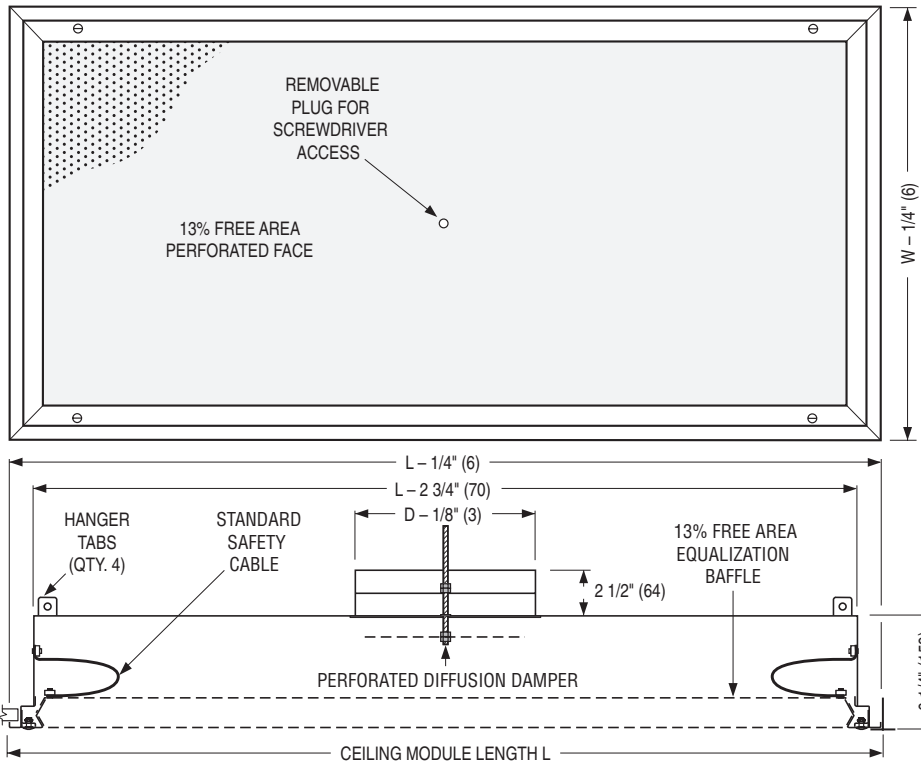
CONTRACTOR:

Dimensions are in inches (mm).

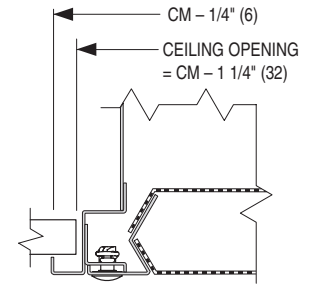
DATE	B SERIES	SUPERSEDES	DRAWING NO.
5 - 10 - 21	9200	9 - 2 - 16	92LFDM-SS



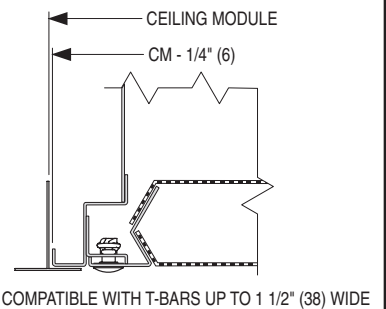
LAMINAR FLOW CEILING DIFFUSER
STAINLESS STEEL • DUAL CHAMBER
CRITICAL ENVIRONMENT APPLICATIONS
LOW CAPACITY DESIGN
MODEL: 92LFD-SS



TYPE S Surface Mount Detail



TYPE L* Lay-in T-Bar Detail



Ceiling Module Sizes L x W & Nominal Round Duct Sizes D

L x W	Imperial Modules (inches)	24 x 12	48 x 12	60 x 12	72 x 12	24 x 24	36 x 24	48 x 24	60 x 24	72 x 24
	Metric Modules (mm)	600 x 300	1200 x 300	1500 x 300	1800 x 300	600 x 600	900 x 600	1200 x 600	1500 x 600	1800 x 600
Duct Size D	(inches)	6, 7, 8	6, 7, 8	6, 7, 8	6, 7, 8	6, 7, 8, 10	6, 7, 8, 10, 12	7, 8, 10, 12	8, 10, 12	8, 10, 12
	(mm)	152, 178, 203	152, 178, 203	152, 178, 203	152, 178, 203	152, 178, 203, 254	152, 178, 203, 254, 305	178, 203, 254, 305	203, 254, 305	203, 254, 305

DESCRIPTION:

The Model 92LFD-SS Laminar Flow Diffuser is a low capacity/airflow range design that produces a non-aspirating, low velocity vertical air pattern. Recommended face velocity range is 20 – 60 cfm/sq. ft.

Installed above the operating table in a hospital operating room, the 'clean' conditioned air flows over the operating table so helping to protect and effectively isolate the patient from contaminated air.

The "dual chamber" design and internal baffles provide improved air distribution across the perforated face resulting in superior performance.

The only significant amount of room air entrainment occurs at the outer boundary of the laminar flow mass, outside the confines of the operating table.

Other applications include clean rooms such as research laboratories, animal labs, food processing, pharmaceutical labs and computer rooms where localized heavy cooling loads present a problem.

CONSTRUCTION:

- 304 stainless steel frame and perforated face with 3/32" (2.4) dia. holes on 60 degree 1/4" (6) staggered centers (13% free area). The face plate is removable for cleaning and is secured by 1/4 turn fasteners.
- 304 stainless steel fully welded plenum, perforated pressure plate and disc type damper. Damper adjustment through removable face plug.
- Standard safety cables prevent accidental dropping of removable face.
- Standard finish is #4 Brushed Satin Polished.

OPTIONS:

- 316 Stainless Steel construction.
- Finish:
 - AW Appliance White.
 - BW British White.
 - SP Special _____.
 - EX External foil-back insulation, R-4.2 (installed).

SCHEDULE TYPE:

PROJECT:

ENGINEER:

CONTRACTOR:

Dimensions are in inches (mm).

DATE	B SERIES	SUPERSEDES	DRAWING NO.
5 - 6 - 21	9200	9 - 2 - 16	92LFD-SS

Nailor offers a selection of standard colors and finishes available on our grilles, registers and diffusers. For painted finishes, our state-of-the-art paint systems provide environmentally friendly finishing solutions with uniform coverage and coating thickness. The result is an exceptionally durable finish that resists scratching, corrosion and general wear. Additional facilities for special requirements, as well as a selection of anodized or brushed finishes, complete our ability to provide unmatched beauty and durability for any application.

NAILOR POWDER COAT PROPERTIES

FILM THICKNESS	2.0 to 3.0 mils
HARDNESS	2 H
IMPACT RESISTANCE	Direct: 160 inch - lbs. Reverse 160 inch - lbs.
SALT SPRAY	1000 hours

ELECTROCOATING PROPERTIES

FILM THICKNESS	.8 to 1.2 mils
HARDNESS	HB TO H
IMPACT RESISTANCE	80 inch - lbs
SALT SPRAY	100 hours


POWDER COAT

Nailor's powder coat is a high-tech thermosetting polyester powder coating with superior physical properties that provide excellent color and gloss retention. The finish offers extreme durability and hardness that resists scratching, chipping and general wear. Surface preparation includes degreasing and a chemical cleaning followed by a clean rinse before a final powder coat finish is applied and baked. The environmentally friendly Nailor powder coat system assures uniform coverage and color consistency resulting in a long lasting superior finish. Colors, including simulated anodizing, which is far more economical than color anodizing, can be selected from Nailor's standard color chart or non-standard colors and can be matched from sample chips provided to Nailor.

ELECTROCOATING

E-Coat is an environmentally friendly coating that provides complete coverage and a wide range of performance properties, formulated to meet corrosion, durability and other performance specifications. Electrocoating is a highly automated process in which paint is electrically deposited onto a metal foundation. Film build thickness is uniform and overall application efficiencies are in excess of 90%. Paint is consistent on all part-to-part surfaces, preventing sags, runs or drips. E-Coat offers flexibility, better first yield pass and quicker production times compared to other forms of paint applications. Electrocoating is an excellent solution that offers superior properties and uniform finish.

CLEAR ANODIZING (Aluminum products only)

Clear anodizing is a clear oxide coating that exemplifies an aluminum surface's natural oxide coating producing a hard, scratch resistant surface that is resistant to general wear and mild chemicals. The process provides a natural looking, virtually maintenance free finish that will endure for many years.

COLOR ANODIZING (Aluminum products only)

Color anodizing is an electrolytic process where, after standard anodizing procedures, colored metallic pigments penetrate the oxide surface pores producing a corrosion resistant, colorfast finish. The process results in a natural metallic appearance that requires little maintenance.

BRUSHED AND CLEAR COAT

Available on specific aluminum products (consult applicable product page for availability). Surface is brushed to achieve a scratch finish texture before being degreased and chemically cleaned. A clear lacquer coating is then applied to provide a durable protective finish.

#4 BRUSHED SATIN POLISHED (Stainless Steel products only)

Surface is polished to ASTM A480 #4 standard to achieve a bright durable finish that is resistant to mild chemicals and corrosion. A final coating is not required due to the inherent anti-corrosion properties of the stainless steel.

PRIME COAT

Prime coat provides a stable base for painting in the field. Surface pretreatment includes degreasing and a chemical cleaning before an alkyd prime coat is applied. After a thorough cleaning for dust, etc. that can contaminate the final finish and cause premature flaking or peeling, finish coat should be field applied as soon as possible.

PAINT PREPARED ALUMINUM (Aluminum products only)

Allows for field applied paint. Surface preparation includes degreasing and a chemical cleaning followed by a clean rinse. Finish coat should be field applied as soon as possible.

MILL FINISH

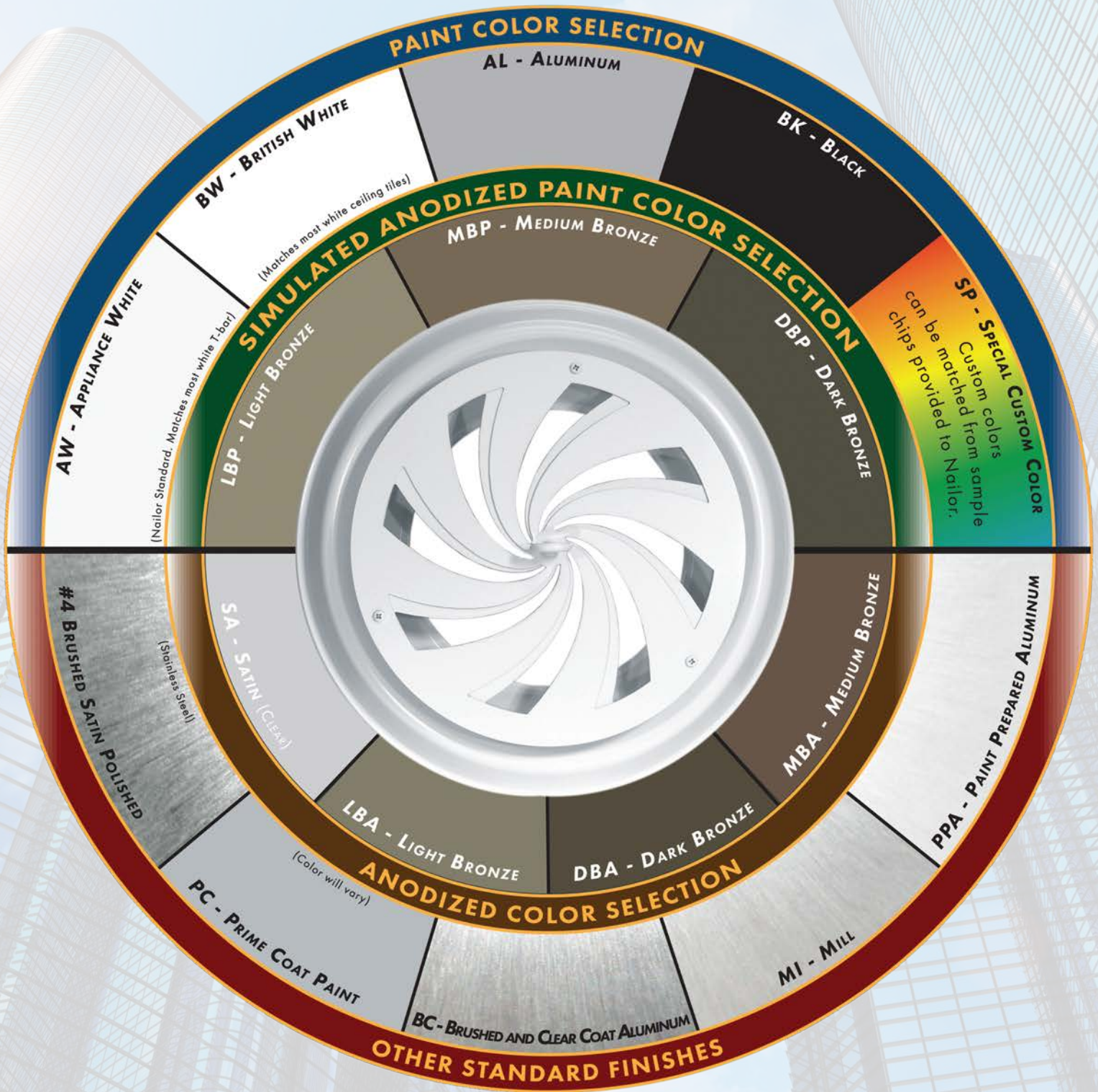
Surface is left untreated and requires cleaning, degreasing, etc. in the field before final finish can be applied if required.



Nailor[®]
Industries Inc.

STANDARD AND OPTIONAL FINISHES FOR GRILLES AND DIFFUSERS

The following standard colors and finishes are available on applicable Nailor air distribution products. Consult individual product pages for availability



The pictured finishes have been represented as best as possible within printing limitations. However, actual finish may vary. Contact your Nailor representative for a color chip sample on the material specified for a more accurate representation.

DBK - Black (for registers ordered with factory mounted dampers) - **BA** - Perforated Diffusers (4300 series only) Appliance White (AW) face with black back pan and pattern controllers.

"Complete Air Control and Distribution Solutions."

WGDSOF2015

www.nailor.com

Performance Data

Models 92LFD-AL, 92LFD, 92LFD-SS

Imperial Units

6" (152 mm) dia. Inlet

Module Size	Airflow, CFM	80	100	120	140	160	180	200	220	240
24" x 24" or 600 mm x 600 mm	Total Pressure, Pt	0.047	0.067	0.097	0.131	0.172	0.218	0.269	0.325	0.387
	Static Pressure, Ps	0.036	0.051	0.073	0.100	0.130	0.165	0.204	0.247	0.294
	NC	22	26	30	35	38	41	43	45	47
	Throw, T	.5-1-1	.5-1-2	.5-1-3	1-1.5-4	1.5-2-4	1.5-2.5-5	2-3.5-6	2.5-4-6	3-4.5-7
36" x 24" or 900 mm x 600 mm	Total Pressure, Pt	0.036	0.056	0.081	0.111	0.144	0.183	0.226	0.273	0.325
	Static Pressure, Ps	0.026	0.040	0.058	0.079	0.103	0.130	0.161	0.195	0.232
	NC	23	27	31	34	37	40	42	44	46
	Throw, T	0-1-1	0-1-1.5	0-1-2	0-1-3	1-2-3.5	1-2-4.5	2-3-5	2-3-5.5	2-3.5-6

8" (203 mm) dia. Inlet

Module Size	Airflow, CFM	100	120	140	160	180	200	220	240	260	280	300
48" x 12" or 1200 mm x 300 mm	Total Pressure	.030	.043	.058	.076	.096	.119	.144	.172	.201	.233	.268
	NC	—	17	19	22	25	27	29	31	34	35	37
	Throw	.5-1-2	.5-1-3	1-1.5-4	1.5-2-4	1.5-2.5-5	2-3.5-5	2.5-4-6	3-4.5-7	3-4.5-7.5	4-5.5-8	4.5-6-9
60" x 12" or 1500 mm x 300 mm	Total Pressure	.028	.040	.055	.072	.091	.112	.136	.161	.189	.220	.252
	NC	—	16	18	21	24	25	28	30	33	34	36
	Throw	.5-1-2	1-1-3	1-1.5-4	1-2-4	1-2.5-4.5	2-3.5-5	2-4-5.5	3-4-6.5	3-5-7	4-5-8	4-6-8.5
72" x 12" or 1800 mm x 300 mm	Total Pressure	.026	.037	.050	.066	.083	.103	.125	.148	.174	.202	.232
	NC	—	16	18	21	23	26	27	30	32	33	35
	Throw	.5-1-2	1-1-3	1-1.5-4	1-2-4	1-2.5-4.5	2-3.5-5	2-4-5.5	3-4-6.5	3-4.5-7	4-5-8	4-6-8.5

Module Size	Airflow, CFM	100	120	140	160	180	200	220	240	260	280	300
24" x 24" or 600 mm x 600 mm	Total Pressure	.030	.043	.058	.076	.096	.119	.144	.172	.201	.233	.268
	NC	—	17	19	22	25	27	29	31	34	35	37
	Throw	.5-1-2	.5-1-3	1-1.5-4	1.5-2-4	1.5-2.5-5	2-3.5-6	2.5-4-6	3-4.5-7	3-4.5-7.5	4-5.5-8	4.5-6-9
36" x 24" or 900 mm x 600 mm	Total Pressure	.026	.037	.050	.066	.083	.103	.125	.148	.174	.202	.232
	NC	—	15	18	21	24	26	28	30	33	34	36
	Throw	0-1-1.5	0-1-2	0-1-3	1-2-3.5	1-2-4.5	2-3-5	2-3-5.5	2-3.5-6	2.5-4.5-7	3-5-8	3-5-8
48" x 24" or 1200 mm x 600 mm	Total Pressure	.023	.034	.046	.060	.075	.093	.113	.134	.158	.183	.210
	NC	—	—	17	20	23	25	27	30	32	33	35
	Throw	0-5-1.5	.5-1-2	.5-1-2.5	1-1.5-3	1-2-4	1-2-5	1.5-2.5-5	2-3-6	2-4-6.5	2-4.5-7	3-5-7

10" (254 mm) dia. Inlet

Module Size	Airflow, CFM	160	180	200	220	240	260	280	300	320	340	360
48" x 24" or 1200 mm x 600 mm	Total Pressure	.022	.028	.035	.042	.050	.059	.069	.079	.090	.113	.140
	NC	—	15	18	19	22	25	27	29	31	33	35
	Throw	1-1-3	1-2-4	1-2-5	1.5-2.5-5	2-3-6	2-4-6.5	2-4-5-7	3-5-7	3-5-8	4-6-8.5	5-7-9
60" x 24" or 1500 mm x 600 mm	Total Pressure	.021	.027	.033	.040	.048	.056	.065	.074	.084	.107	.132
	NC	—	—	17	19	22	24	27	29	31	33	35
	Throw	1-1-3	1-2-4	1-2-5	1.5-2.5-5	2-3-6	2-4-6.5	2-4-5-7	3-5-7	3-5-8	4-6-8.5	5-7-9
72" x 24" or 1800 mm x 600 mm	Total Pressure	.021	.027	.033	.036	.043	.050	.058	.066	.076	.096	.118
	NC	—	—	17	19	22	24	27	29	31	32	34
	Throw	1-1-3	1-1-4	1-2-4.5	1-2-5	1.5-2.5-6	2-3-6	2-4-7	2.5-4-7	3-4.5-7.5	3.5-5-8	4.5-6-9

12" (305 mm) dia. Inlet

Module Size	Airflow, CFM	230	260	290	315	345	375	400	430	460	490	520
48" x 24" or 1200 mm x 600 mm	Total Pressure	.036	.046	.057	.068	.081	.096	.109	.126	.144	.163	.184
	NC	15	18	21	22	25	28	30	32	35	38	42
	Throw	1-2-6	1.5-3-6.5	2-4-7	3-5-8	4-5.5-8	4.5-6-8.5	5-7-9.5	5.5-7.5-10	6-8-11	6.5-8.5-11.5	7-9-12
60" x 24" or 1500 mm x 600 mm	Total Pressure	.031	.040	.049	.058	.070	.083	.094	.108	.124	.141	.159
	NC	15	18	21	22	25	28	30	32	35	38	42
	Throw	1-2-6	2-3-6	2-4-7	3-5-8	4-5.5-7.5	4.5-6-8.5	5-6.5-9	5.5-7.5-9.5	6-8-10.5	6-8.5-11	6.5-8.5-11.5
72" x 24" or 1800 mm x 600 mm	Total Pressure	.028	.036	.045	.053	.063	.075	.085	.099	.113	.128	.144
	NC	14	17	20	21	24	27	29	31	34	37	41
	Throw	1-2-5	1.5-2.5-6	2-4-6.5	3-4.5-7	4-5-7	4-5.5-8	5-6-8.5	5-7-9	5.5-7.5-10	6-8-10.5	6-8-11

CFM - cubic feet per minute

FPM - feet per minute velocity

TP - total pressure - inches w.g.

T - throw in feet

NC - Noise Criteria (values) based on 10 dB room absorption, re 10⁻¹² watts. Damper fully open.

Performance Notes:

1. Throws are the average vertical distance in feet to terminal velocities of 100, 75 and 50 fpm. Based upon a cooling ΔT of 10°F. 9 ft. ceiling.
2. Data derived from tests conducted in accordance with ANSI/ASHRAE Standard 70 – 1991.

Performance Data

Model 92LFDF-AL, 92LFDF-SS

With HEPA Filter • 99.99% Minimum Removal Efficiency on 0.30 Micrometer Particle Size

Imperial Units

6" (152 mm) dia. Inlet

Module Size	Airflow, CFM	80	100	120	140	160	180	200	220	240
24" x 24" or 600 mm x 600 mm	Total Pressure, Pt	0.13	0.20	0.29	0.38	0.52	0.65	0.81	0.98	1.17
	Static Pressure, Ps	0.12	0.18	0.26	0.36	0.47	0.60	0.74	0.90	1.07
	NC	22	26	30	35	38	41	43	45	47
	Throw, T	.5-1-1	.5-1-2	.5-1-3	1-1.5-4	1.5-2-4	1.5-2.5-5	2-3.5-6	2.5-4-6	3-4.5-7
36" x 24" or 900 mm x 600 mm	Total Pressure, Pt	0.09	0.11	0.16	0.21	0.27	0.34	0.43	0.52	0.61
	Static Pressure, Ps	0.08	0.09	0.13	0.18	0.23	0.29	0.36	0.44	0.52
	NC	23	27	31	34	37	40	42	44	46
	Throw, T	0-1-1	0-1-1.5	0-1-2	0-1-3	1-2-3.5	1-2-4.5	2-3-5	2-3-5.5	2-3.5-6

8" (203 mm) dia. Inlet

Module Size	Airflow, CFM	100	120	140	160	180	200	220	240	260	280	290
48" x 12" * or 1200 mm x 300 mm	Total Pressure, Pt	0.17	0.24	0.33	0.43	0.55	0.68	0.82	0.98	1.14	1.33	1.42
	Static Pressure, Ps	0.16	0.24	0.32	0.42	0.53	0.66	0.79	0.94	1.11	1.28	1.38
	NC	—	17	19	22	25	27	29	31	34	35	37
	Throw, T	.5-1-2	.5-1-3	1-1.5-4	1.5-2-4	1.5-2.5-5	2-3.5-5	2.5-4-6	3-4.5-7	3-4.5-7.5	4-5.5-8	4.5-6-9
60" x 12" or 1500 mm x 300 mm	Total Pressure, Pt	0.11	0.16	0.22	0.28	0.36	0.44	0.54	0.64	0.75	0.87	0.93
	Static Pressure, Ps	0.11	0.15	0.21	0.27	0.34	0.42	0.51	0.61	0.71	0.83	0.89
	NC	—	16	18	21	24	25	28	30	33	34	36
	Throw, T	.5-1-2	1-1-3	1-1.5-4	1-2-4	1-2.5-4.5	2-3.5-5	2-4-5.5	3-4-6.5	3-5-7	4-5-8	4-6-8.5

Module Size	Airflow, CFM	100	120	140	160	180	200	220	240	260	280	295
24" x 24" * or 600 mm x 600 mm	Total Pressure, Pt	0.17	0.24	0.32	0.42	0.54	0.66	0.80	0.95	1.12	1.30	1.44
	Static Pressure, Ps	0.16	0.23	0.31	0.41	0.52	0.64	0.77	0.92	1.08	1.25	1.39
	NC	—	17	19	22	25	27	29	31	34	35	37
	Throw, T	.5-1-2	.5-1-3	1-1.5-4	1.5-2-4	1.5-2.5-5	2-3.5-6	2.5-4-6	3-4.5-7	3-4.5-7.5	4-5.5-8	4.5-6-9
36" x 24" or 900 mm x 600 mm	Total Pressure, Pt	0.07	0.10	0.14	0.18	0.23	0.29	0.35	0.41	0.48	0.56	0.62
	Static Pressure, Ps	0.07	0.10	0.13	0.17	0.21	0.26	0.32	0.38	0.45	0.52	0.58
	NC	—	15	18	21	24	26	28	30	33	34	36
	Throw, T	0-1-1.5	0-1-2	0-1-3	1-2-3.5	1-2-4.5	2-3-5	2-3-5.5	2-3.5-6	2.5-4.5-7	3-5-8	3-5-8
48" x 24" or 1200 mm x 600 mm	Total Pressure, Pt	0.05	0.07	0.09	0.12	0.15	0.18	0.22	0.27	0.31	0.36	0.40
	Static Pressure, Ps	0.04	0.06	0.08	0.10	0.13	0.16	0.20	0.24	0.28	0.32	0.36
	NC	—	—	17	20	23	25	27	30	32	33	35
	Throw, T	0-5-1.5	.5-1-2	.5-1-2.5	1-1.5-3	1-2-4	1-2-5	1.5-2.5-5	2-3-6	2-4-6.5	2-4.5-7	3-5-7

10" (254 mm) dia. Inlet

Module Size	Airflow, CFM	160	180	200	220	240	260	280	300	320	340	360
36" x 24" or 900 mm x 600 mm	Total Pressure, Pt	0.14	0.18	0.22	0.27	0.32	0.37	0.43	0.50	0.56	0.64	0.71
	Static Pressure, Ps	0.14	0.17	0.21	0.26	0.30	0.36	0.41	0.48	0.54	0.61	0.69
	NC	15	18	20	21	23	26	28	30	32	34	36
	Throw, T	1-2-3.5	1-2-4.5	2-3-5	2-3-5.5	2-3.5-6	2.5-4-7	3-5-8	3-5-8	4-5.5-8.5	4-6-9	5-7-9.5
48" x 24" or 1200 mm x 600 mm	Total Pressure, Pt	0.08	0.10	0.13	0.15	0.18	0.21	0.25	0.28	0.32	0.37	0.41
	Static Pressure, Ps	0.08	0.10	0.12	0.14	0.17	0.20	0.23	0.27	0.30	0.34	0.38
	NC	—	15	18	19	22	25	27	29	31	33	35
	Throw, T	1-1-3	1-2-4	1-2-5	1.5-2.5-5	2-3-6	2-4-6.5	2-4.5-7	3-5-7	3-5-8	4-6-8.5	5-7-9
60" x 24" or 1500 mm x 600 mm	Total Pressure, Pt	0.06	0.07	0.09	0.11	0.13	0.15	0.17	0.20	0.22	0.25	0.28
	Static Pressure, Ps	0.05	0.06	0.08	0.10	0.11	0.13	0.15	0.18	0.20	0.23	0.26
	NC	—	—	17	19	22	24	27	29	31	33	35
	Throw, T	1-1-3	1-2-4	1-2-5	1.5-2.5-5	2-3-6	2-4-6.5	2-4.5-7	3-5-7	3-5-8	4-6-8.5	5-7-9

12" (305 mm) dia. Inlet

Module Size	Airflow, CFM	230	260	290	315	345	375	400	430	460	490	520
48" x 24" or 1200 mm x 600 mm	Total Pressure, Pt	0.16	0.20	0.25	0.29	0.35	0.42	0.48	0.55	0.63	0.71	0.80
	Static Pressure, Ps	0.15	0.19	0.24	0.28	0.34	0.40	0.46	0.53	0.61	0.69	0.78
	NC	15	18	20	22	23	25	26	28	30	32	33
	Throw, T	1-2-6	1.5-3-6.5	2-4-7	3-5-8	4-5.5-8	4.5-6-8.5	5-7-9.5	5.5-7.5-10	6-8-11	6.5-8.5-11.5	7-9-12
60" x 24" or 1500 mm x 600 mm	Total Pressure, Pt	0.10	0.13	0.16	0.19	0.23	0.27	0.31	0.36	0.41	0.47	0.53
	Static Pressure, Ps	0.10	0.12	0.16	0.18	0.22	0.26	0.30	0.34	0.39	0.44	0.50
	NC	15	18	20	22	23	25	26	28	30	32	33
	Throw, T	1-2-6	2-3-6	2-4-7	3-5-8	4-5.5-7.5	4.5-6-8.5	5-6.5-9	5.5-7.5-9.5	6-8-10.5	6-8.5-11	6.5-8.5-11.5

For Performance Notes, please see Air Distribution Products catalog page E57.

Performance Data

Model 92LFDF-AL, 92LFDF-SS

With ULPA Filter • 99.9995% Minimum Removal Efficiency on 0.12 Micrometer Particle Size

Imperial Units

8" (203 mm) dia. Inlet

Module Size	Airflow, CFM	100	120	140	160	180	200	220	240	260	280	290
48" x 12" * or 1200 mm x 300 mm	Total Pressure, Pt	0.20	0.29	0.39	0.51	0.65	0.80	0.96	1.15	1.35	1.56	1.68
	Static Pressure, Ps	0.19	0.28	0.38	0.50	0.63	0.78	0.94	1.12	1.31	1.52	1.63
	NC	—	17	19	22	25	27	29	31	34	35	37
	Throw, T	.5-1-2	.5-1-3	1-1.5-4	1.5-2-4	1.5-2.5-5	2-3.5-5	2.5-4-6	3-4.5-7	3-4.5-7.5	4-5.5-8	4.5-6-9
60" x 12" or 1500 mm x 300 mm	Total Pressure, Pt	0.13	0.18	0.25	0.33	0.42	0.51	0.62	0.74	0.87	1.01	1.08
	Static Pressure, Ps	0.12	0.18	0.24	0.31	0.40	0.49	0.60	0.71	0.83	0.96	1.03
	NC	—	16	18	21	24	25	28	30	33	34	36
	Throw, T	.5-1-2	1-1-3	1-1.5-4	1-2-4	1-2.5-4.5	2-3.5-5	2-4-5.5	3-4-6.5	3-5-7	4-5-8	4-6-8.5

Module Size	Airflow, CFM	100	120	140	160	180	200	220	240	260	280	295
24" x 24" * or 600 mm x 600 mm	Total Pressure, Pt	0.19	0.28	0.38	0.50	0.63	0.78	0.94	1.12	1.31	1.52	1.69
	Static Pressure, Ps	0.19	0.27	0.37	0.48	0.61	0.75	0.91	1.09	1.28	1.48	1.64
	NC	—	17	19	22	25	27	29	31	34	35	37
	Throw, T	.5-1-2	.5-1-3	1-1.5-4	1.5-2-4	1.5-2.5-5	2-3.5-6	2.5-4-6	3-4.5-7	3-4.5-7.5	4-5.5-8	4.5-6-9
36" x 24" or 900 mm x 600 mm	Total Pressure, Pt	0.08	0.12	0.16	0.21	0.26	0.32	0.39	0.47	0.55	0.64	0.71
	Static Pressure, Ps	0.08	0.11	0.15	0.19	0.25	0.30	0.37	0.44	0.51	0.59	0.66
	NC	—	15	18	21	24	26	28	30	33	34	36
	Throw, T	0-1-1.5	0-1-2	0-1-3	1-2-3.5	1-2-4.5	2-3-5	2-3-5.5	2-3-5-6	2.5-4.5-7	3-5-8	3-5-8
48" x 24" or 1200 mm x 600 mm	Total Pressure, Pt	0.05	0.07	0.10	0.13	0.17	0.20	0.25	0.29	0.34	0.40	0.44
	Static Pressure, Ps	0.05	0.07	0.09	0.12	0.15	0.18	0.22	0.26	0.31	0.36	0.40
	NC	—	—	17	20	23	25	27	30	32	33	35
	Throw, T	0-5-1.5	.5-1-2	.5-1-2.5	1-1.5-3	1-2-4	1-2-5	1.5-2.5-5	2-3-6	2-4-6.5	2-4.5-7	3-5-7

10" (254 mm) dia. Inlet

Module Size	Airflow, CFM	160	180	200	220	240	260	280	300	320	340	360
36" x 24" or 900 mm x 600 mm	Total Pressure, Pt	0.17	0.21	0.26	0.31	0.37	0.44	0.51	0.58	0.66	0.75	0.84
	Static Pressure, Ps	0.16	0.20	0.25	0.30	0.36	0.42	0.49	0.56	0.64	0.72	0.81
	NC	15	18	20	21	23	26	28	30	32	34	36
	Throw, T	1-2-3.5	1-2-4.5	2-3-5	2-3-5.5	2-3.5-6	2.5-4-7	3-5-8	3-5-8	4-5.5-8.5	4-6-9	5-7-9.5
48" x 24" or 1200 mm x 600 mm	Total Pressure, Pt	0.09	0.12	0.15	0.18	0.21	0.25	0.29	0.33	0.37	0.42	0.47
	Static Pressure, Ps	0.09	0.11	0.14	0.17	0.20	0.23	0.27	0.31	0.35	0.40	0.44
	NC	—	15	18	19	22	25	27	29	31	33	35
	Throw, T	1-1-3	1-2-4	1-2-5	1.5-2.5-5	2-3-6	2-4-6.5	2-4.5-7	3-5-7	3-5-8	4-6-8.5	5-7-9
60" x 24" or 1500 mm x 600 mm	Total Pressure, Pt	0.06	0.08	0.10	0.12	0.14	0.17	0.19	0.22	0.25	0.29	0.32
	Static Pressure, Ps	0.06	0.07	0.09	0.11	0.13	0.15	0.18	0.20	0.23	0.26	0.29
	NC	—	—	17	19	22	24	27	29	31	33	35
	Throw, T	1-1-3	1-2-4	1-2-5	1.5-2.5-5	2-3-6	2-4-6.5	2-4.5-7	3-5-7	3-5-8	4-6-8.5	5-7-9

12" (305 mm) dia. Inlet

Module Size	Airflow, CFM	230	260	290	315	345	375	400	430	460	490	520
48" x 24" or 1200 mm x 600 mm	Total Pressure, Pt	0.18	0.23	0.29	0.34	0.41	0.49	0.55	0.64	0.73	0.83	0.93
	Static Pressure, Ps	0.18	0.23	0.28	0.33	0.40	0.47	0.54	0.62	0.71	0.80	0.91
	NC	15	18	20	22	23	25	26	28	30	32	33
	Throw, T	1-2-6	1.5-3-6.5	2-4-7	3-5-8	4-5.5-8	4.5-6-8.5	5-7-9.5	5.5-7.5-10	6-8-11	6.5-8.5-11.5	7-9-12
60" x 24" or 1500 mm x 600 mm	Total Pressure, Pt	0.12	0.15	0.19	0.22	0.27	0.32	0.36	0.41	0.47	0.54	0.61
	Static Pressure, Ps	0.11	0.14	0.18	0.21	0.25	0.30	0.34	0.39	0.45	0.51	0.58
	NC	15	18	20	22	23	25	26	28	30	32	33
	Throw, T	1-2-6	2-3-6	2-4-7	3-5-8	4-5.5-7.5	4.5-6-8.5	5-6.5-9	5.5-7.5-9.5	6-8-10.5	6-8.5-11	6.5-8.5-11.5

CFM - cubic feet per minute

FPM - feet per minute velocity

Pt - total pressure - inches w.g.

Ps - static pressure - inches w.g.

T - throw in feet

NC - Noise Criteria (values) based on 10 dB room absorption, re 10⁻¹² watts.

Performance Notes:

1. Throws are the average vertical distance in feet to terminal velocities of 100, 75 and 50 fpm. Based upon a cooling ΔT of 10°F. 9 ft. ceiling.

2. Performance data is for diffusers with clean filters. Filters may be operated up to a final resistance of 2" w.g. (500 Pa).

3* Maximum airflow shown is based on 150 fpm (0.76 m/s) velocity per square foot of filter face area. Exceeding these airflows may result in reduced filter efficiencies. Refer to the engineering section for more details.

4. Data derived from tests conducted in accordance with ANSI/ASHRAE Standard 70 – 2006.

Performance Data

Model 92LFDF-AL, 92LFDF-SS

With ULPA Filter • 99.9995% Minimum Removal Efficiency on 0.12 Micrometer Particle Size

Metric Units

8" (203 mm) dia. Inlet

Module Size	Airflow, L/S	47	57	66	76	85	94	104	113	123	132	137
1219 mm x 305 mm* or 1200 mm x 300 mm	Total Pressure, Pt	50	72	97	127	162	199	239	286	336	388	418
	Static Pressure, Ps	47	70	94	124	157	194	234	278	326	378	405
	NC	—	17	19	22	25	27	29	31	34	35	37
	Throw, T	0.2-0.3-0.6	0.2-0.3-0.9	0.3-0.5-1.2	0.5-0.6-1.2	0.5-0.8-1.5	0.6-1.1-1.5	0.8-1.2-1.8	0.9-1.4-2.1	0.9-1.4-2.3	1.2-1.7-2.4	1.4-1.8-2.7
1524 mm x 305 mm or 1500 mm x 300 mm	Total Pressure, Pt	32	45	62	82	104	127	154	184	216	251	268
	Static Pressure, Ps	30	45	60	77	99	122	149	177	206	239	256
	NC	—	16	18	21	24	25	28	30	33	34	36
	Throw, T	0.2-0.3-0.6	0.3-0.3-0.9	0.3-0.5-1.2	0.3-0.6-1.2	0.3-0.8-1.4	0.6-1.1-1.5	0.6-1.2-1.7	0.9-1.2-2.0	0.9-1.5-2.1	1.2-1.5-2.4	1.2-1.8-2.6

Module Size	Airflow, L/S	47	57	66	76	85	94	104	113	123	132	139
610 mm x 610 mm* or 600 mm x 600 mm	Total Pressure, Pt	47	70	94	124	157	194	234	278	326	378	420
	Static Pressure, Ps	47	67	92	119	152	186	226	271	318	368	408
	NC	—	17	19	22	25	27	29	31	34	35	37
	Throw, T	0.2-0.3-0.6	0.2-0.3-0.9	0.3-0.5-1.2	0.5-0.6-1.2	0.5-0.8-1.5	0.6-1.1-1.8	0.8-1.2-1.8	0.9-1.4-2.1	0.9-1.4-2.3	1.2-1.7-2.4	1.4-1.8-2.7
914 mm x 610 mm or 900 mm x 600 mm	Total Pressure, Pt	20	30	40	52	65	80	97	117	137	159	177
	Static Pressure, Ps	20	27	37	47	62	75	92	109	127	147	164
	NC	—	15	18	21	24	26	28	30	33	34	36
	Throw, T	0-0.3-0.5	0-0.3-0.6	0-0.3-0.9	0.3-0.6-1.1	0.3-0.6-1.4	0.6-0.9-1.5	0.6-0.9-1.7	0.6-1.1-1.8	0.8-1.4-2.1	0.9-1.5-2.4	0.9-1.5-2.4
1219 mm x 610 mm or 1200 mm x 600 mm	Total Pressure, Pt	12	17	25	32	42	50	62	72	85	99	109
	Static Pressure, Ps	12	17	22	30	37	45	55	65	77	89	99
	NC	—	—	17	20	23	25	27	30	32	33	35
	Throw, T	0-0.2-0.5	0.2-0.3-0.6	0.2-0.3-0.8	0.3-0.5-0.9	0.3-0.6-1.2	0.3-0.6-1.5	0.5-0.8-1.5	0.6-0.9-1.8	0.6-1.2-2.0	0.6-1.4-2.1	0.9-1.5-2.1

10" (254 mm) dia. Inlet

Module Size	Airflow, L/S	76	85	94	104	113	123	132	142	151	160	170
914 mm x 610 mm or 900 mm x 600 mm	Total Pressure, Pt	42	52	65	77	92	109	127	144	164	186	209
	Static Pressure, Ps	40	50	62	75	89	104	122	139	159	179	201
	NC	15	18	20	21	23	26	28	30	32	34	36
	Throw, T	0.3-0.6-1.1	0.3-0.6-1.4	0.6-0.9-1.5	0.6-0.9-1.7	0.6-1.1-1.8	0.8-1.2-2.1	0.9-1.5-2.4	0.9-1.5-2.4	1.2-1.7-2.6	1.2-1.8-2.7	1.5-2.1-2.9
1219 mm x 610 mm or 1200 mm x 600 mm	Total Pressure, Pt	22	30	37	45	52	62	72	82	92	104	117
	Static Pressure, Ps	22	27	35	42	50	57	67	77	87	99	109
	NC	—	15	18	19	22	25	27	29	31	33	35
	Throw, T	0.3-0.3-0.9	0.3-0.6-1.2	0.3-0.6-1.5	0.5-0.8-1.5	0.6-0.9-1.8	0.6-1.2-2.0	0.6-1.4-2.1	0.9-1.5-2.1	0.9-1.5-2.4	1.2-1.8-2.6	1.5-2.1-2.7
1524 mm x 610 mm or 1500 mm x 600 mm	Total Pressure, Pt	15	20	25	30	35	42	47	55	62	72	80
	Static Pressure, Ps	15	17	22	27	32	37	45	50	57	65	72
	NC	—	—	17	19	22	24	27	29	31	33	35
	Throw, T	0.3-0.3-0.9	0.3-0.6-1.2	0.3-0.6-1.5	0.5-0.8-1.5	0.6-0.9-1.8	0.6-1.2-2.0	0.6-1.4-2.1	0.9-1.5-2.1	0.9-1.5-2.4	1.2-1.8-2.6	1.5-2.1-2.7

12" (305 mm) dia. Inlet

Module Size	Airflow, L/S	109	123	137	149	163	177	189	203	217	231	245
1219 mm x 610 mm or 1200 mm x 600 mm	Total Pressure, Pt	45	57	72	85	102	122	137	159	181	206	231
	Static Pressure, Ps	45	57	70	82	99	117	134	154	177	199	226
	NC	15	18	20	22	23	25	26	28	30	32	33
	Throw, T	0.3-0.6-1.8	0.5-0.9-2.0	0.6-1.2-2.1	0.9-1.5-2.4	1.2-1.7-2.4	1.4-1.8-2.6	1.5-2.1-2.9	1.7-2.3-3.0	1.8-2.4-3.4	2.0-2.6-3.5	2.1-2.7-3.7
1524 mm x 610 mm or 1500 mm x 600 mm	Total Pressure, Pt	30	37	47	55	67	80	89	102	117	134	152
	Static Pressure, Ps	27	35	45	52	62	75	85	97	112	127	144
	NC	15	18	20	22	23	25	26	28	30	32	33
	Throw, T	0.3-0.6-1.8	0.6-0.9-1.8	0.6-1.2-2.1	0.9-1.5-2.4	1.2-1.7-2.3	1.4-1.8-2.6	1.5-2.0-2.7	1.7-2.3-2.9	1.8-2.4-3.2	1.8-2.6-3.4	2.0-2.6-3.5

L/S - litres per second

M/S - meters per second velocity

Pt - total pressure - Pa

Ps - static pressure - Pa

T - throw in meters

NC - Noise Criteria (values) based on 10 dB room absorption, re 10⁻¹² watts.

Performance Notes:

1. Throws are the average vertical distance in meters to terminal velocities of 0.51, 0.38 and 0.25 m/s. Based upon a cooling ΔT of 5.5°C. 2.7 m ceiling.
2. Performance data is for diffusers with clean filters. Filters may be operated up to a final resistance of 2" w.g. (500 Pa).

3* Maximum airflow shown is based on 150 fpm (0.76 m/s) velocity per square foot of filter face area. Exceeding these airflows may result in reduced filter efficiencies. Refer to the engineering section for more details.

4. Data derived from tests conducted in accordance with ANSI/ASHRAE Standard 70 – 2006.

Performance Data

Models 92LFDM-AL, 92LFDM-SS • Medium Capacity • Dual Chamber
Imperial Units

24" x 24" Module

Total CFM	Face Velocity/ cfm/sq. ft.	8" Inlet			10" Inlet			12" Inlet			Average Velocity						
		Pt	Ps	NC	Pt	Ps	NC	Pt	Ps	NC	Distance Below Diffuser Face (ft)						
											1	2	3	4	5	6	7
200	50	.08	.06	16	.04	.03	-	.03	.03	-	81	70	62	59	54	48	45
240	60	.11	.09	21	.06	.04	-	.05	.04	-	93	80	70	64	57	51	48
280	70	.16	.12	27	.08	.06	19	.06	.06	-	105	90	77	70	61	54	50
320	80	.20	.15	29	.10	.08	21	.08	.07	-	116	96	83	75	64	56	53
360	90	.26	.20	33	.13	.10	25	.11	.09	18	128	101	89	80	68	59	55
400	100	.32	.24	37	.16	.13	29	.13	.11	22	145	109	95	86	71	60	56

24" x 36" Module

Total CFM	Face Velocity/ cfm/sq. ft.	10" Inlet			12" Inlet			14" Inlet			Average Velocity						
		Pt	Ps	NC	Pt	Ps	NC	Pt	Ps	NC	Distance Below Diffuser Face (ft)						
											1	2	3	4	5	6	7
300	50	.06	.04	19	.03	.03	-	.02	.02	-	86	74	66	63	57	52	48
360	60	.09	.06	24	.05	.04	18	.03	.02	-	100	86	74	69	61	55	51
420	70	.12	.08	30	.07	.05	24	.04	.03	18	112	96	82	74	65	57	54
480	80	.16	.11	32	.09	.06	26	.05	.04	20	124	102	88	80	69	60	56
540	90	.20	.14	36	.11	.08	30	.06	.05	24	136	108	95	86	72	63	59
600	100	.25	.17	40	.14	.10	34	.08	.06	28	155	117	102	92	76	64	60

24" x 48" Module

Total CFM	Face Velocity/ cfm/sq. ft.	10" Inlet			12" Inlet			14" Inlet			Average Velocity						
		Pt	Ps	NC	Pt	Ps	NC	Pt	Ps	NC	Distance Below Diffuser Face (ft)						
											1	2	3	4	5	6	7
400	50	.09	.06	26	.05	.03	20	.03	.02	-	92	79	70	67	61	55	51
480	60	.13	.09	31	.07	.05	25	.05	.03	19	106	91	79	73	65	58	54
560	70	.18	.12	37	.10	.07	31	.06	.05	25	119	102	87	79	69	61	57
640	80	.24	.15	39	.13	.09	33	.08	.06	27	132	109	94	85	73	64	60
720	90	.30	.20	43	.16	.11	37	.11	.08	31	145	115	101	91	77	67	63
800	100	.37	.24	47	.20	.14	41	.13	.10	35	165	124	108	98	81	68	64

24" x 60" Module

Total CFM	Face Velocity/ cfm/sq. ft.	12" Inlet			14" Inlet			16" Inlet			Average Velocity						
		Pt	Ps	NC	Pt	Ps	NC	Pt	Ps	NC	Distance Below Diffuser Face (ft)						
											1	2	3	4	5	6	7
500	50	.07	.04	25	.04	.03	19	.03	.02	-	97	83	74	70	64	58	54
600	60	.09	.06	30	.06	.04	24	.04	.02	18	111	96	83	77	68	61	57
700	70	.13	.08	36	.08	.05	30	.05	.03	24	125	107	91	83	72	64	60
800	80	.17	.10	38	.10	.07	32	.06	.04	26	139	114	99	89	77	67	63
900	90	.21	.13	42	.13	.09	36	.08	.06	30	152	121	106	96	81	70	66
1000	100	.26	.16	45	.16	.11	40	.10	.07	34	173	130	113	103	85	71	67

Performance Notes:

1. CFM = Airflow in cubic feet per minute.
2. Pt = Total pressure, inches w.g.
3. Ps = Static pressure, inches w.g.
4. NC (Noise Criteria) values are based upon 10dB room absorption, re 10⁻¹² watts. Blank (-) indicates NC of below 15.
5. Face velocities and average velocities are in feet per minute.
6. Average velocities are measured below the face of the diffuser with a cooling ΔT of 5°F.
7. Average velocity is based on one diffuser handling the specified air volume.
8. Data derived from tests conducted in accordance with ANSI/ASHRAE Standard 70 – 2006.

Performance Data

Models 92LFDMF-AL, 92LFDMF-SS • Medium Capacity with HEPA Filter
Imperial Units

24" x 24" Module

Total CFM	Face Velocity/ cfm/sq. ft.	8" Inlet			10" Inlet			12" Inlet			Average Velocity						
		Pt	Ps	NC	Pt	Ps	NC	Pt	Ps	NC	Distance Below Diffuser Face (ft.)						
											1	2	3	4	5	6	7
200	50	.63	.61	–	.60	.59	–	.59	.59	–	81	70	62	59	54	48	45
240	60	.76	.74	16	.71	.69	–	.70	.69	–	93	80	70	64	57	51	48
280*	70	.92	.88	22	.86	.84	–	.84	.84	–	105	90	77	70	61	54	50
320	80	1.06	1.01	24	.96	.94	–	.94	.93	–	116	96	83	75	64	56	53
360	90	1.22	1.16	28	1.09	1.06	20	1.07	1.05	–	128	101	89	80	68	59	55
400	100	1.38	1.30	32	1.22	1.17	24	1.19	1.17	17	145	109	95	86	71	60	56

36" x 24" Module

Total CFM	Face Velocity/ cfm/sq. ft.	10" Inlet			12" Inlet			14" Inlet			Average Velocity						
		Pt	Ps	NC	Pt	Ps	NC	Pt	Ps	NC	Distance Below Diffuser Face (ft.)						
											1	2	3	4	5	6	7
300	50	.55	.53	–	.52	.52	–	.51	.51	–	86	74	66	63	57	52	48
360	60	.67	.63	19	.63	.62	–	.60	.59	–	100	86	74	69	61	55	51
420	70	.79	.67	25	.75	.73	19	.72	.71	–	112	96	82	74	65	57	54
480*	80	.91	.86	27	.84	.81	21	.80	.79	15	124	102	88	80	69	60	56
540	90	1.04	.98	31	.93	.90	25	.88	.87	19	136	108	95	86	72	63	59
600	100	1.19	1.01	35	1.08	1.04	29	1.02	1.00	23	155	117	102	92	76	64	60

48" x 24" Module

Total CFM	Face Velocity/ cfm/sq. ft.	10" Inlet			12" Inlet			14" Inlet			Average Velocity						
		Pt	Ps	NC	Pt	Ps	NC	Pt	Ps	NC	Distance Below Diffuser Face (ft.)						
											1	2	3	4	5	6	7
400	50	.55	.52	20	.51	.49	15	.49	.48	–	92	79	70	67	61	55	51
480	60	.68	.64	26	.62	.60	20	.60	.58	–	106	91	79	73	65	58	54
560	70	.80	.74	32	.72	.69	26	.68	.67	20	119	102	87	79	69	61	57
640	80	.95	.86	34	.84	.80	28	.79	.77	22	132	109	94	85	73	64	60
720*	90	1.10	.90	38	.96	.91	32	.91	.88	26	145	115	101	91	77	67	63
800	100	1.25	1.12	42	1.08	1.02	36	1.01	.98	30	165	124	108	98	81	68	64

60" x 24" Module

Total CFM	Face Velocity/ cfm/sq. ft.	12" Inlet			14" Inlet			16" Inlet			Average Velocity						
		Pt	Ps	NC	Pt	Ps	NC	Pt	Ps	NC	Distance Below Diffuser Face (ft.)						
											1	2	3	4	5	6	7
500	50	.52	.49	20	.49	.48	–	.48	.47	–	97	83	74	70	64	58	54
600	60	.61	.58	25	.58	.56	–	.56	.54	–	111	96	83	77	68	61	57
700	70	.73	.68	31	.68	.65	25	.65	.63	19	125	107	91	83	72	64	60
800	80	.86	.79	33	.78	.76	27	.75	.73	21	139	114	99	89	77	67	63
900*	90	.98	.90	37	.90	.86	31	.85	.83	25	152	121	106	96	81	70	66
1000	100	1.11	1.01	40	1.01	.96	35	.95	.92	29	173	130	113	103	85	71	67

Performance Notes:

1. CFM = Airflow in cubic feet per minute.
2. Pt = Total pressure, inches w.g.
3. Ps = Static pressure, inches w.g.
4. NC (Noise Criteria) values are based upon 10dB room absorption, re 10⁻¹² watts. Blank (-) indicates NC of below 15.
5. Face velocities and average velocities are in feet per minute.
6. Average velocities are measured below the face of the diffuser with a cooling ΔT of 5°F.
7. Average velocity is based on one diffuser handling the specified air volume.
8. *Maximum airflow based on 150 fpm (0.76 m/s) velocity per square foot of filter media face area. Higher flows may reduce filter efficiency.
9. Data derived from tests conducted in accordance with ANSI/ASHRAE Standard 70 – 2006.