



STATIC INTEGRAL SLEEVE CURTAIN TYPE FIRE DAMPERS

1 1/2 HR. LABEL • VERT. OR HORIZ. MOUNT FOR USE IN STATIC SYSTEMS

MODELS: 0114X-1X, 0124X-1X AND 0134X-1X



QUALIFICATIONS:

- UL 555 & CAN/ULC-S112 CLASSIFIED FIRE DAMPER. 1 1/2 hr. label (File # R9492).
- Meets all the requirements of UL and NFPA 80, 90A and 101 for fire dampers in static HVAC systems, as well as IBC and NBC (Canada) Building Code requirements.
- City of New York Board of Standards and Appeals. Cal. No. 460-88-SA.
- California State Fire Marshal: Fire Damper Listing No. 3225-0935:0100.

Model Series 01X4 Integral Sleeve Static Curtain Fire Dampers ensure proper damper mounting in sleeve and can be shipped direct to job site for immediate installation, eliminating costly and inconvenient shop handling. UL approved for use where building codes require protection of HVAC ductwork penetrations in walls, partitions or floors that have a fire resistance rating of 2 hours or less. All units are constructed with 22 ga. (0.85) roll-formed G60 galvanized steel integral sleeve available in 12" (305), 14" (356) or 16" (406) length. Optional 'Quick-Set' retaining angles are available to complete the installation package.

STANDARD CONSTRUCTION:

Integral 22 ga. (0.85) roll-formed G60 galvanized steel.

Sleeve/Frame: 01 x 4X - 12 Length 12" (305)
 01 x 4X - 14 Length 14" (356)
 01 x 4X - 16 Length 16" (406)

Blades: Curtain type interlocking blades, 22 ga. (0.85) roll-formed G60 galvanized steel.

Fusible Link: 165°F (74°C) standard. UL Listed. 212°F (100°C) available.

Blade Closure: Vertical mount model; gravity. Horizontal mount models are equipped with stainless steel closure springs and galvanized steel locking ramps.

OPTIONS:

Non-standard temperature fusible link. Specify _____ .

QS1 Quick-set retaining angles (single set).

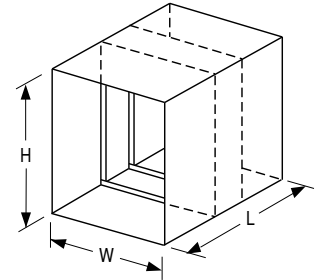
QS2 Quick-set retaining angles (pair).

Hemmed Sleeve for slip and drive connection (Type A and B only):

HM2 (both ends). **HM1** (one end).

PT Pull Tab Release. Permits simple reset of horizontal damper when access door is located below damper. (See dwg. ACC-PTR for details).

For installation instructions, see IOM-FDINST.

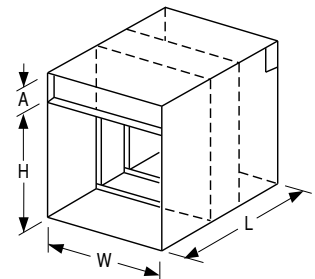


Models: 0114V-1X Vertical & 0114H-1X Horizontal

Type A – Blades and frame in the airstream.

Min. size - 4" x 4" (102 x 102)

Max. size - 48" x 48" (1219 x 1219)



Models: 0124V-1X Vertical & 0124H-1X Horiz.

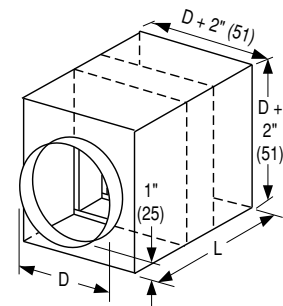
Type B – Blades out of airstream.

Min. size - Vertical 4" x 3" (102 x 76)

Min. size - Horizontal 4" x 4" (102 x 102)

Max. size - V or H 48" x 43" (1219 x 1092)

Damper Height (H)	Dim. 'A'
5" thru 17" (127 thru 432)	2" (51)
18" thru 27" (457 thru 686)	3" (76)
28" thru 36" (711 thru 914)	4" (102)
37" thru 43" (940 thru 1092)	5" (127)



Models: 0134V-1X Vertical & 0134H-1X Horiz.

Type CR – Round transition collars.

Blades partially in airstream

Min. size - Vertical 3" dia. (76)

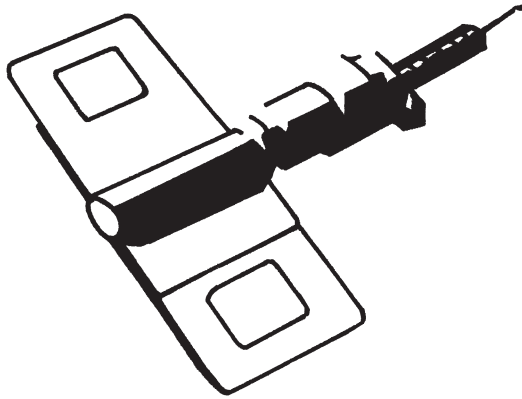
Min. size - Horizontal 4" dia. (102)

Max. size - V or H 42" dia. (1067)

Dimensions are in inches (mm).

SCHEDULE TYPE:
PROJECT:
ENGINEER:
CONTRACTOR:

DATE	B SERIES	SUPERSEDES	DRAWING NO.
8 - 24 - 15	FD	4 - 28 - 14	0100-5



ETL®

WHAT IT IS – WHAT IT DOES

The Electro Thermal Link (ETL®) is a multi purpose, dual responsive fusible link which reacts (melts) when subjected to;

1. Local heat (165°F (74°C)) exactly the same as an ordinary link.
2. External electrical impulse of low power and short duration.

It is specifically designed to substitute for ordinary links and/or actuators in existing and new installations of Fire Dampers, Fire Doors, Fire Extinguishers, Fire and Smoke Roof Hatches, Sprinklers, Smoke Towers, and chemical or gas Automatic Release Systems.

The substitution should be made in every installation of the above devices where it is desirable to improve life safety by making those devices responsive to -

- SMOKE** in the early form of invisible products of combustion through ionization detectors, or
- FIRE** at an earlier stage than ordinary links thru the use of rate of rise or maximum temperature devices.

The ETL's electro-response is the unique feature. It is not smoke responsive of itself, but its power requirement is so low that it can be released with an electrical impulse from any smoke detector's power source. It is compatible with every smoke detector on the market in the United States today.

The operating range is 6 to 30 volts AC or DC, less than 0.2 ampere of trip current required, and 1/2 millisecond (.0005 second) response at 24 v. The electrical response is a trigger for the chemical heating of the center element which is a self-contained exothermic reactor, yielding no noise, smoke, or gas - just quick heat to open the link in seven seconds.

The ETL's thermal response is identical to that of ordinary fusible links of identical temperature (165°F (74°C)) and strength (40#) rating.

In its capacity of converting a FIRE safety device into a FIRE/SMOKE safety device the ETL can be substituted for both an ordinary link and motor, or link and electromagnetic operator with advantages of simplicity, economy, operational reliability and wide acceptability. With its dual responsiveness the ETL can be substituted for two other devices at a savings in first cost as well as operating cost and maintenance. The ETL is a Space Age Device built to zero defect standards and to last at least fifty years and then still react properly – only on fire or smoke emergency. It is totally independent of power failures since it draws power from the detector standby source if needed. The ETL is listed by Underwriter's Laboratories, Inc. as a Fusible Link.

With the ongoing development of dynamic smoke control systems and building code changes in recent years, application and use of this product should be governed by acceptance of the local authority having jurisdiction.

SCHEDULE TYPE:		Dimensions are in inches (mm).			
PROJECT:					
ENGINEER:	DATE	B SERIES	SUPERSEDES	DRAWING NO.	
CONTRACTOR:	31 - 7 - 00R	ACC	1 - 98R/0100-6	ACC.ETL	

DESCRIPTION:

1. Pull ring: 1 1/4 (32) diameter nickel plated steel.
2. Attachment strap: 22 ga. galvanized or stainless steel.

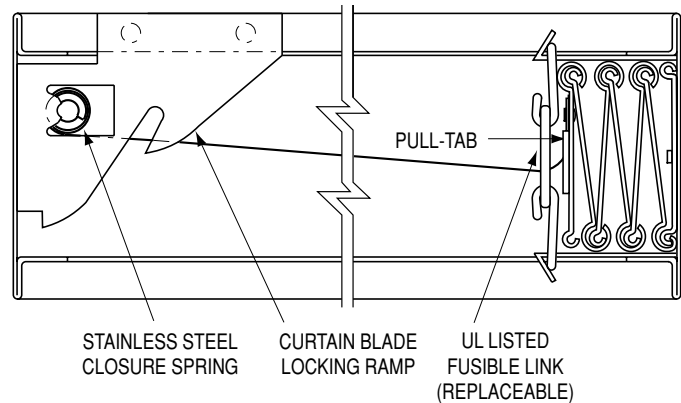
Horizontal curtain type fire dampers for use in static systems and all dynamic dampers utilize stainless steel springs and locking ramps to draw the curtain closed in the event of a fire or upon manual release.

Horizontally installed dampers are designed and tested to be mounted with the locking ramps on the top side. When periodic testing (as well as maintenance and inspection) is required, access doors should be located above the damper, so that the damper blade pack can be "pushed down" and released off the locking ramp for reset.

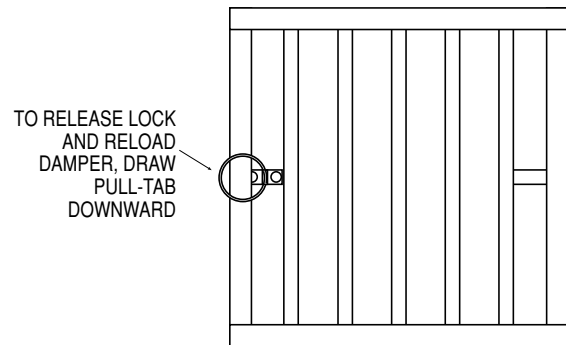
When access from above is not possible or convenient, the Pull-Tab release option permits simple resetting from beneath the damper.



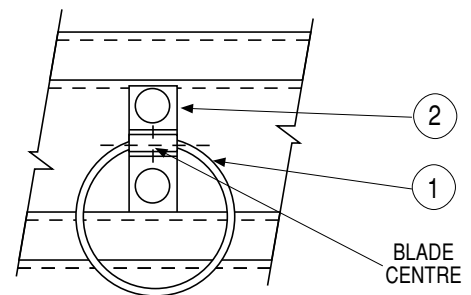
TOP OF UNIT (Horizontal Installation)



TYPE "A" MODEL 0110H (TYPE "B" SIMILAR).



**VIEW ON DAMPER FACE
(BLADES CLOSED)**



DETAIL OF PULL-TAB

SCHEDULE TYPE:
PROJECT:
ENGINEER:
CONTRACTOR:

Dimensions are in inches (mm).

DATE	B SERIES	SUPERSEDES	DRAWING NO.
3- 10 - 00R	ACC-PTR	7-90/0100-16	ACC-PTR

**"QUICK-SET" RETAINING ANGLES BOTH SIMPLIFY AND SPEED INSTALLATION,
 SAVING BOTH TIME AND MONEY.**

BENEFITS:

- One piece angles are fastened together in the corners. Only two sets of angles to handle per damper (rather than four separate angles per side).
- Angles are shipped with damper - no sorting or matching.
- Provided with pre-drilled fastening holes on 2" (51) centers to ensure correct angle/sleeve attachment.
- Factory fabricated by Nailor to suit the individual fire damper.
- Reduced cost when compared to conventional retaining angles.
- Dampers can ship directly to the job site complete with all necessary installation sheet metal hardware (saves on double handling at contractor's shop).
- Help ensure a correct installation as per U.L. approved installation instructions.

The majority of installing contractors view fire damper installation as a costly time consuming and troublesome procedure. Eight conventional angles must be custom fabricated for each damper either in a sheet metal shop or at the job site and sized to suit each individual damper. Invariably, they are mislaid or lost and must be matched to each factory supplied damper.

The Nailor "Quick-Set" solution solves the majority of problems. They are pre-formed to fit and ship with the individual damper for ultimate convenience. "Quick-Set" angles are supplied with correctly spaced pre-drilled screw-holes to ensure a quick, easy and accurate installation for all integral sleeve Nailor fire and combination fire/smoke dampers - no measuring required.

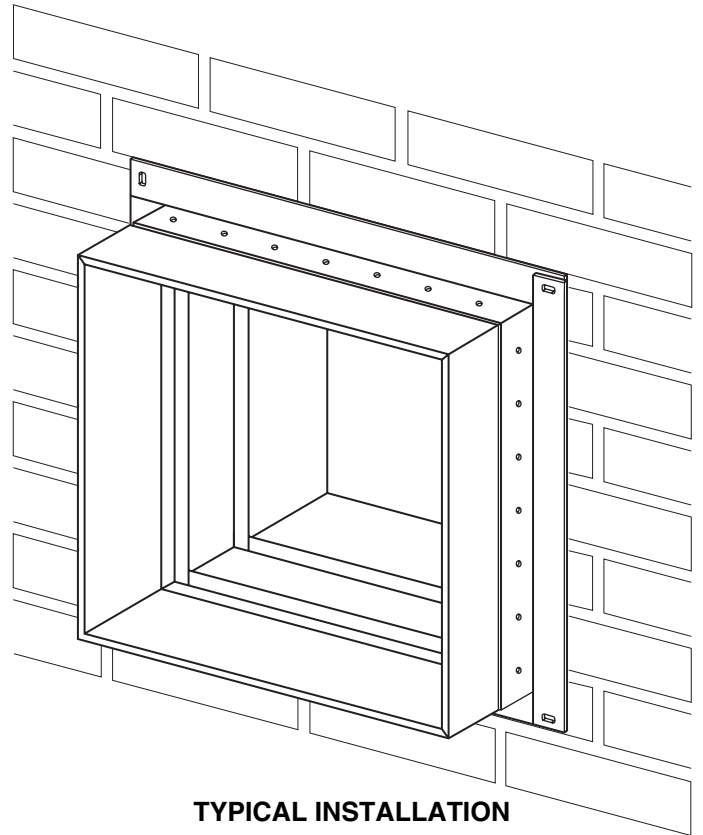
"Quick-Set" retaining angles provide the "complete" installation package. Simple, fast, convenient.

MODELS:

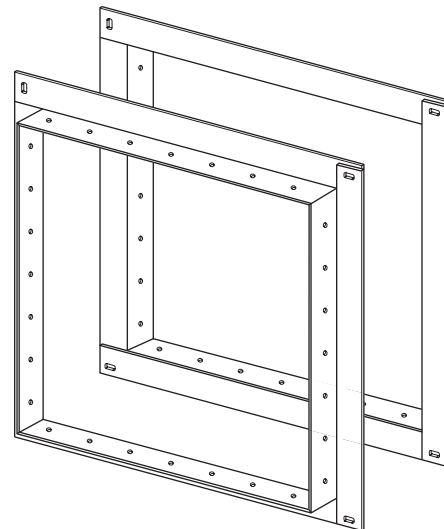
Nailor "Quick-Set" retaining angles are an accessory option for all dampers ordered with factory sleeves.

QS2: Two sides (pair). For standard installations where angles are installed on both sides of the fire partition.

QS1: One side (single set). For use in single side retaining angle installations and with grille mount and "out of wall" damper models.



TYPICAL INSTALLATION



**TYPICAL PAIR OF PRE-ASSEMBLED
 QUICK-SET' RETAINING ANGLES**



SCHEDULE TYPE:	Page 1 of 2			
PROJECT:	Dimensions are in inches (mm).			
ENGINEER:	DATE	B SERIES	SUPERSEDES	DRAWING NO.
CONTRACTOR:	2 - 26 - 09	FD-ACC	6 - 5 - 03	QSRA

"QUICK-SET" RETAINING ANGLES
FOR ALL SLEEVED FIRE AND
COMBINATION FIRE/SMOKE DAMPERS
MODELS: QS1 AND QS2

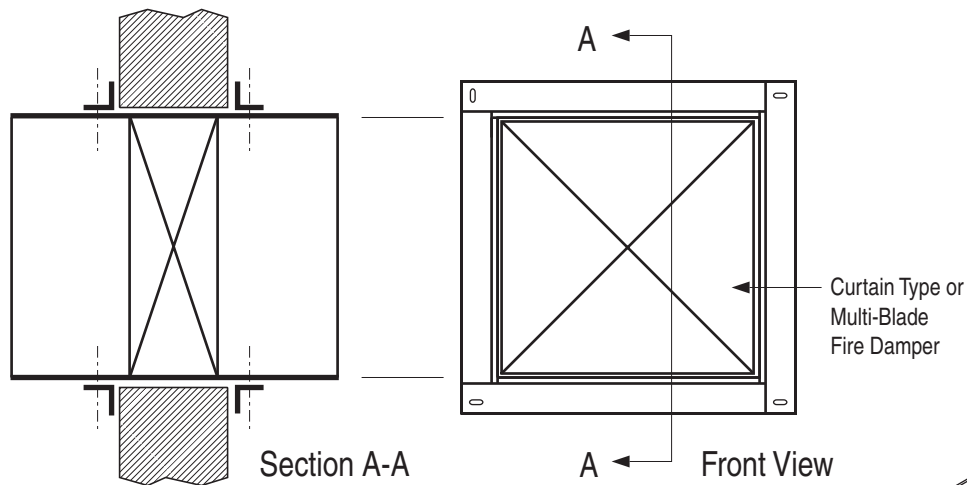


FIGURE 1. TYPICAL TWO SIDED INSTALLATION.

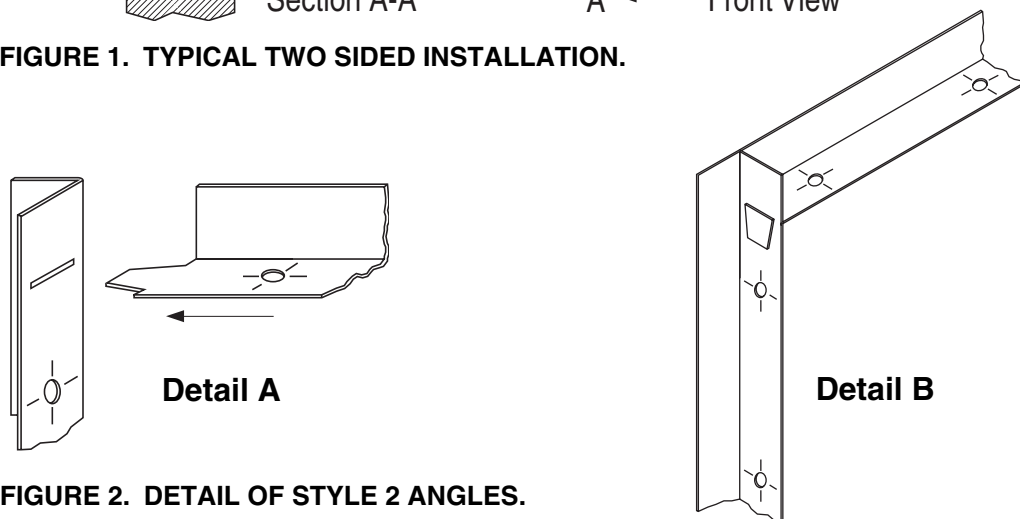


FIGURE 2. DETAIL OF STYLE 2 ANGLES.

APPLICATION:

The Nailor Quick-Set Retaining Angle System may be used in lieu of conventional retaining angles on all Nailor Fire and Combination Fire/Smoke Dampers.

Quick-Set angles are supplied in one of two styles, dependent upon fire resistance label, damper size and installation method.

Style 1: 1 1/2" x 1 1/2" x 20 ga. (38 x 38 x 1.0) Four sides are connected together with rivets in three corners.

Standard for the majority of applications with the following limitations:

- 1 1/2 hour label fire dampers.
- Maximum Size: 36" x 36" (914 x 914)
- Two sided installation only

Style 2: 1 1/2" x 1 1/2" x 16 ga. (38 x 38 x 1.6) Slot and tab design. The retaining angle assembly for each side has four angles, each with a tab end and a slot end (Detail A).

The tabs are to be inserted into the slots and knocked down either before or after fastening to the sleeve (Detail B).

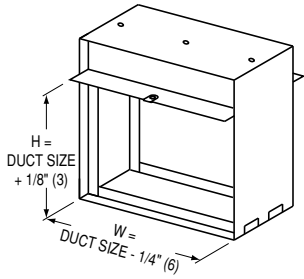
- 1 1/2 or 3 hour label fire dampers
- Maximum Size: 90" x 48" (2286 x 1219) or 48" x 90" (1219 x 2286)
- Single side (1 1/2 hour only. Refer to Single Side Retaining Angles Supplementary Installation Instructions for size limitations) or two sided installation

Refer to the Following Installation Instructions:

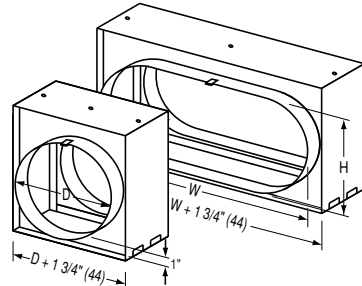
Quick-Set Retaining Angles	FDQSRA
Curtain Type Fire Dampers (D)0100 & (D)0500	FDINST
Curtain Type Fire Dampers 0200 & 0500 Thinline	FDTINST
Multi-Blade Fire Dampers 1200 & 1250	MBFDINST
Combination Fire/Smoke Dampers 1220	1220INST
Combination Fire/Smoke Dampers 1270	1270INST
Single Side Retaining Angles	FDSSRAINST

SCHEDULE TYPE:	Page 2 of 2			
PROJECT:	Dimensions are in inches (mm).			
ENGINEER:	DATE	B SERIES	SUPERSEDES	DRAWING NO.
CONTRACTOR:	2 - 26 - 09	FD-ACC	5 - 5 - 03	QSRA

DIMENSIONAL DATA:

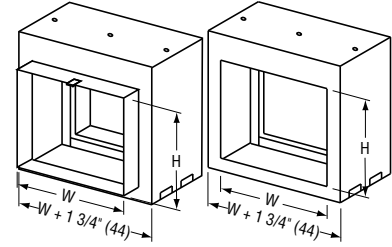


**MODEL 0120:
TYPE B**



**MODEL 0130:
TYPE CR**

**MODEL 0130:
TYPE CO**



**MODEL 0140:
TYPE CSR
WITH COLLAR
(STANDARD)**

**MODEL 0140:
TYPE CSR
WITHOUT COLLAR**

For overall damper dimensions see sizing chart on page D53.

PERFORMANCE DATA:

MODEL SERIES: 0100V/H - 1 1/2 HOUR LABEL

Curtain type fire dampers impose minimal resistance to air flow in the system. The following charts indicate both free area for the different damper types and static pressure losses for various velocities.

Type A Damper Free Area – sq. ft.

Duct Height in inches (mm)	Duct Width in inches (mm)									
	6" (152)	12" (305)	18" (457)	24" (610)	30" (762)	36" (914)	42" (1067)	48" (1219)	54" (1372)	60" (1524)
6" (152)	.14	.33	.52	.70	.89	1.1	1.3	1.5	1.7	1.8
12" (305)	.31	.72	1.1	1.5	1.9	2.4	2.8	3.2	3.6	4.0
18" (457)	.48	1.1	1.7	2.4	3.0	3.7	4.3	4.9	5.6	6.2
24" (610)	.65	1.5	2.4	3.2	4.1	5.0	5.8	6.7	7.5	8.4
30" (762)	.82	1.9	3.0	4.1	5.2	6.3	7.3	8.4	9.5	10.6
36" (914)	.99	2.3	3.6	4.9	6.3	7.6	8.9	10.2	11.5	12.8
42" (1067)	1.2	2.7	4.2	5.8	7.3	8.8	10.4	11.9	13.4	15.0
48" (1219)	1.3	3.1	4.9	6.6	8.4	10.2	11.9	13.7	15.5	17.2
54" (1372)	1.5	3.5	5.5	7.5	9.5	11.5	13.5	15.5	17.5	19.4
60" (1524)	1.7	3.9	6.1	8.3	10.6	12.8	15.0	17.2	19.4	21.7

Type B Damper Free Area – sq. ft.

Duct Height in inches (mm)	Duct Width in inches (mm)									
	6" (152)	12" (305)	18" (457)	24" (610)	30" (762)	36" (914)	42" (1067)	48" (1219)	54" (1372)	60" (1524)
6" (152)	.17	.39	.62	.84	1.1	1.3	1.5	1.7	2.0	2.2
12" (305)	.36	.83	1.3	1.8	2.3	2.7	3.2	3.7	4.1	4.6
18" (457)	.54	1.3	2.0	2.7	3.4	4.2	4.9	5.6	6.3	7.1
24" (610)	.73	1.7	2.7	3.7	4.6	5.6	6.6	7.5	8.5	9.5
30" (762)	.92	2.1	3.4	4.6	5.8	7.0	8.3	9.5	10.7	11.9
36" (914)	1.1	2.6	4.1	5.5	7.0	8.5	9.9	11.4	12.9	14.4
42" (1067)	1.3	3.0	4.7	6.5	8.2	9.9	11.6	13.4	15.1	16.8
48" (1219)	1.5	3.5	5.4	7.4	9.4	11.4	13.3	15.3	17.3	19.2
54" (1372)	1.7	3.9	6.1	8.3	10.6	12.8	15.0	17.2	19.5	21.7

Type C Dampers have Free Area equal to Nominal Duct Area.

To calculate Free Area of round duct: Diameter² x .00545 = Free Area (sq ft.)

To determine pressure drop across open damper, calculate **free area velocity** as shown, find velocity on curve and read across for s.p. differential.

Free Area Velocity (fpm) = $\frac{\text{cfm}}{\text{Free Area}}$

Example:
1 – 36" x 24" Damper required for 8,500 cfm. (Type A)

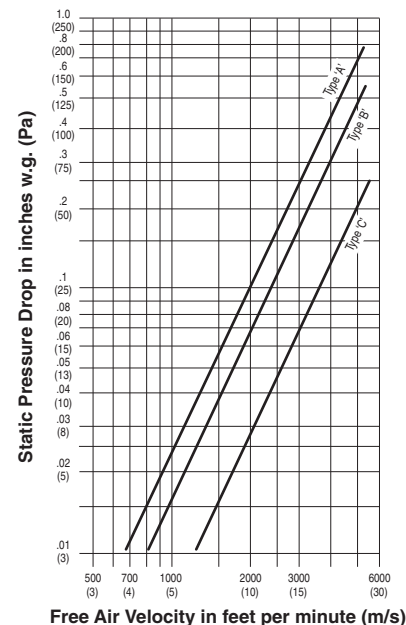
FAV = $\frac{8500}{5 \text{ sq. ft.}} = 1700 \text{ fpm}$

1700 fpm located on the 'A' curve shows a pressure drop of .07 in. wg.

cfm = cubic feet per minute
fpm = feet per minute velocity
S.P. = static pressure in inches water gauge
FAV = Free Area Velocity

Imperial System Shown
To convert to SI (metric) system:
Multiply cfm by .4719 for liters per second
Multiply fpm by .00508 for meters per second
Multiply in. wg. by .2486 for kilopascals
Multiply sq. ft. by .0929 for square meters.

Pressure Drop



Dampers are an essential part of the fire protection system in a building. The NFPA recommends that fire dampers be tested periodically to verify the operational abilities of each installed damper. See NFPA 80, *Standard for Fire Doors and Other Opening Protectives*, for Operational Test and Periodic Inspection and Testing details.

CAUTION:

Some curtain fire dampers utilize high torque springs under tension; ensure HVAC fans are turned off. Testing spring assisted fire dampers under airflow conditions is **NOT RECOMMENDED** and may severely damage or destroy ductwork. Use protective eyewear or safety glasses. Keep hands out of the blade path, as this can cause serious injury. Keep any hard objects or tools out of the blade path as they can damage the blades when closing.

Periodic Inspection, Testing and Maintenance

Consult your local building code to verify whether there is a required maintenance and testing schedule. Most local jurisdictions reference NFPA 80 for Fire Dampers. Per NFPA 80, each damper should be tested and inspected 1 year after installation and then every 4 years, except for hospitals, where the frequency is every 6 years.

1. Remove any obstructions, dirt, rust, corrosion, or other observed conditions that could impede proper damper operation.
2. Check closure springs (if applicable). If damaged or defective, repair or replace.

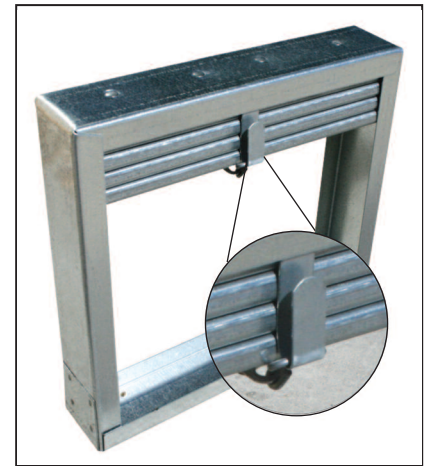
3a. Non-Spring Assisted Dampers

Bend metal straps away from damper frame so that they are straight. Remove fusible link and allow the blade package to drop and close naturally by the force of gravity. See Detail 1. Use caution, keeping fingers, hands, arms and tools out of the blade path.

3b. Dynamic Rated or Spring Assisted Dampers

AS SOON AS THE LINK HAS BEEN REMOVED, THE SPRING WILL FORCE THE BLADES TO CLOSE INSTANTANEOUSLY. THE BLADE PATH MUST BE KEPT CLEAR.

4. Ensure the damper closes completely, without assistance. If the damper design incorporates a locking ramp to hold the damper in the fully closed position, confirm that the ramp locks properly.
5. Clean damper blades and other moving parts if necessary. Use of a mild detergent or solvents is recommended for any cleaning required. Lubricate moving parts with a dry lubricant (such as T.F.E. Dry Lube). Never use a regular lubricating oil on dampers, as it will attract dirt and grit.
6. Lift the blade package to the top of the damper to reopen and replace the fusible link. Take care not to rack, deform or damage the blades when reopening.

**Detail 1**

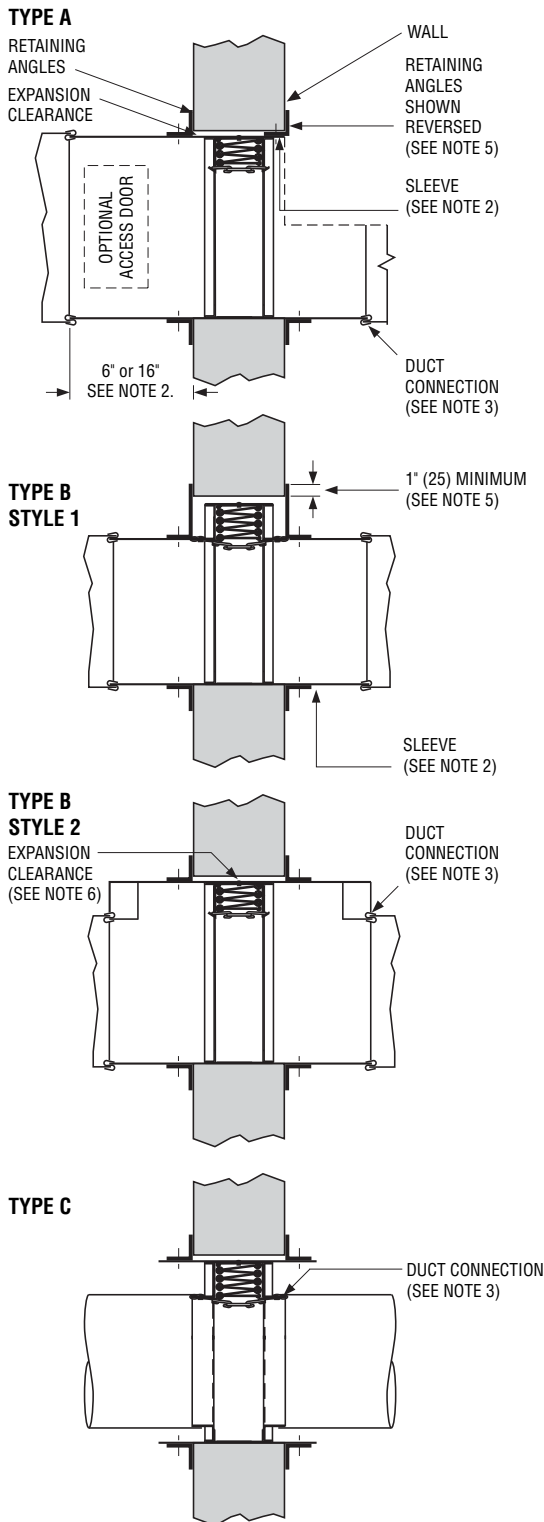
Reopening spring assisted fire dampers may be extremely difficult and in some cases, impossible. If it is determined that the damper is impossible or impractical to test or reopen, a thorough examination of the blade path is required to ensure that nothing will prevent the damper from closing. Common obstructions include: racked damper frames, retaining angle installation screws, construction debris and contaminants.

7. Slide the replacement fusible link onto the metal straps. When replacing the fusible link, make sure it is the same temperature rating of the link you are replacing. If a different temperature, contact factory. Install fusible link so that the temperature rating is facing outward and is visible.
8. Bend the metal straps up to hold the fusible link in place.

Receiving, Storage, Preparation

Upon delivery, inspect shipping containers and contents closely. Note any damages on freight carrier's delivery receipt. Store dampers in a cool, dry and safe location in an orderly manner away from construction site, warehouse traffic, other materials, etc. Cover with plastic sheeting to protect from excessive moisture, dirt and debris. Inspect dampers prior to installation. Dampers must be cleaned per procedures outlined in this document prior to installation if dirt, rust or corrosion is observed.





QUALIFICATIONS:

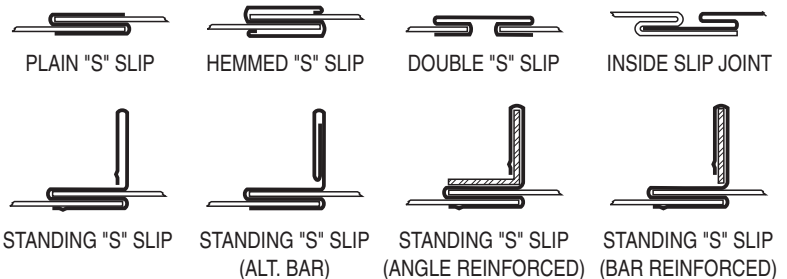
- Meets all the requirements of UL 555 and CAN/ULC-S112.
- Meets the requirements for NFPA 80, 90A and 101, as well as IBC and NBC (Canada) building codes.
- California State Fire Marshal Listing No. 03225-0935:0113.
- City of New York Board of Standards and Appeals. Cal. No. 460-88-SA.

NOTES:

1. Installation shall be in accordance with the appropriate requirements of the National Fire Protection Association Standard NFPA 90A latest edition.
2. **Damper Sleeve:** Sleeve thickness must be equal to or thicker than the duct connected to it. Sleeve gauge requirements are listed in the SMACNA Fire, Smoke and Radiation Damper Installation Guide for HVAC Systems and in NFPA 90A. If a break-away style duct/sleeve connection is not used, damper sleeves up to 36" wide by 24" (914 x 610) high of not less than 16 gauge (1.61) coated steel, or larger sleeves of not less than 14 gauge (1.99) thick coated steel may be attached to the duct with screws or other types of mechanical fasteners. The maximum sleeve thickness for such rigid joints is 10 gauge (3.51) for coated steel. The connecting duct shall not be continuous thru the wall or floor opening but shall terminate at the sleeve. Sleeves shall extend a maximum of 6" (152) on either side of the wall or floor opening or 16" (406) on one side when incorporating a factory installed access door.

3. Break-away duct/sleeve connections:

- a. Rectangular ducts must use one or more of the following connections if the gauge is less than the requirement in note 2 for rigid connections:



In addition:

- A maximum of two #10 sheet metal screws on each side and on the bottom, located in the center of the slip pocket and penetrating both sides of the slip pocket may be used.
- One of the above connections on the top and bottom joints with flat drive slip connections on the side joints may be used for dampers up to 20" (508) in height.



- b. Round and oval duct may be attached to the round or oval collar which is part of the damper/sleeve in the following manner:

- Duct diameters 22" (559) and smaller must use three #10 sheet metal screws equally spaced around the circumference.
- Duct diameters over 22" (559) up to and including 36" (914) may use five #10 sheet metal screws equally spaced around the circumference.
- Duct diameters larger than 36" (914) wide or diameter may use eight #10 sheet metal screws equally spaced around the circumference.

Dimensions are in inches (mm).

Note: When optional sealing of these break-away connections is desired, the duct sealant shall be PA2084T Duct Sealant by Precision or water based DP1010 by Design Polymetrics.

c. For the use of approved alternative Ductmate or TDC/TDF break-away connections, refer to the supplements noted on page 4.

4. Damper/sleeve attachment: Damper shall be secured to sleeve with 1/4" (6) long welds, spot welds, 3/16" (4.76) steel rivets, 1/4" (6.35) dia. bolts and nuts, #8 sheet metal screws, or 3/16" (4.76) dia. buttonlocks on both sides at 6" (152) on center and a maximum of 2" (51) from the corners of the damper on all four sides. For field assembled sleeves, the inner dimensions of the sleeve shall be equal to the outer dimensions of the damper.

5. Retaining angles shall be a minimum of 1 1/2" x 1 1/2" x 16 gauge (38 x 38 x 1.61) for dampers up to 90" (2286) in width and up to 90" (2286) in height. For dampers exceeding these dimensions, the angles shall be a minimum of 2" x 2" x 10 gauge (51 x 51 x 3.51). Secure the retaining angles to the sleeve with 1/2" (12.7) long welds, 1/4" (6.35) dia. bolts and nuts, 3/16" (4.76) dia. steel rivets or #8 sheet metal screws 8" (203) on center and 2" (51) maximum from corner of sleeve on all four sides. The retaining angles must lap the structural opening by 1" (25.4) minimum. When the ductwork terminates at the wall or floor, the retaining angles may be turned inwards, providing the opening size is increased by an amount equal to twice the combined thickness of the angle and the height of the screw or bolthead to maintain the required expansion clearance. Field fabricated retaining angles are not to be mechanically fastened at the corners.

6. Expansion clearance between the sleeve and wall or floor shall be a minimum of 1/8" per foot (3.18 per 305) of width or height of the sleeve. The maximum size of the opening shall be 2" (50.8) larger in either dimension than the allowable minimum size. For example; a sleeve dimension of 36" x 36" (914 x 914) shall have an opening size of 36 3/8" x 36 3/8" (924 x 924) minimum and 38 3/8" x 38 3/8" (975 x 975) maximum.

7. The maximum Type A fire damper sizes are as follows:

Model Series				Single Section	Multiple Section
0100	Static	Vertical	(1 1/2 hr. label)	60" x 60" (1524 x 1524)	120" x 120" (3048 x 3048)
		Horizontal	(1 1/2 hr. label)	60" x 60" (1524 x 1524)	102" x 60" (2591 x 1524) **
0300	Static	Vertical	(1 1/2 hr. label)	60" x 48" (1524 x 1219)	—
		Horizontal	(1 1/2 hr. label)	48" x 48" (1219 x 1219)	—
D0100	Dynamic	Vertical	(1 1/2 hr. label)	36" x 36" (914 x 914)	36" x 48" (914 x 1219) OR **** 72" x 24" (1829 x 610)
		Horizontal	(1 1/2 hr. label)	24" x 24" (610 x 610)	—
0500	Static	Vertical	(3 hr. label)	48" x 48" (1219 x 1219)	108" x 72" (2743 x 1829) ***
		Horizontal	(3 hr. label)	36" x 36" (914 x 914)	72" x 36" (1829 x 914)
0540	Static	Vertical	(3 hr. label)	60" x 48" (1524 x 1219) or 24" x 60" (610 x 1524)	—
		Horizontal	(3 hr. label)	24" x 24" (610 x 610)	—
D0500	Dynamic	Vertical	(3 hr. label)	36" x 36" (914 x 914)	36" x 48" (914 x 1219) OR **** 72" x 24" (1829 x 610)
		Horizontal	(3 hr. label)	24" x 24" (610 x 610)	—

* Type B and C dampers have the same overall damper size but the connecting ducts are smaller due to the B or C enclosures. See Type B and Type C specification drawings for maximum duct sizes.

** Maximum individual sections not to exceed 34" x 60" (864 x 1524).

*** Maximum individual sections not to exceed 36" x 36" (914 x 914).

**** Maximum individual sections not to exceed 24" x 24" (610 x 610), up to 48" x 24" (1219 x 610). Assemblies larger than 48" x 24" (1219 x 610) will be made up of individual sections not to exceed 18" x 24" (457 x 610).

8. Multiple Section Assemblies. Individual dampers may be joined together to make multiple section damper assemblies (see Figure 1). The frames shall be fastened together using 1/4" (6) long welds, 3/16" (4.76) steel rivets, 1/4" (6.35) bolts and nuts, #8 sheet metal screws or 3/16" (4.76) buttonlocks on both sides of the damper at 6" (152) max. on center and 2" (51) max. from the corner of the damper on all 4 sides. The following additional requirements shall be met:

Vertical dampers, 1 1/2 hr. label over 84" (2134) in width require a 12 ga. x 4 1/4" (2.75 x 108) wide steel mullion plate placed between adjacent vertical damper frames and the frames fastened together through this with 1/4" (6.35) bolts and nuts, 12" (305) max. on center. Dampers over 84" (2134) in height require a full length 2" x 2" x 10 ga. (51 x 51 x 3.51) steel angle bolted along horizontal joints on both sides of the assembly using 1/4" (6.35) bolts and nuts, 12" (305) max. on center (see Figure 2).

Horizontal dampers, 1 1/2 hr. label over 84" (2134) wide require a 14 ga. x 4 1/4" (1.99 x 108) wide steel mullion plate placed between adjacent damper frames and the frames fastened together through this using 1/4" (6.35) bolts and nuts, 1/4" (6) long welds or #8 sheet metal screws, 4" (102) max. on center.

Vertical dampers, 3 hr. label multiple sections require a 16 ga. x 6" (1.61 ga. x 152) wide "Z" mullion with 7/8" (22) flanges shall be placed between any horizontal joints (see Figure 3). The frames shall be joined together using 3/16" (4.76) bolts and nuts, 1/4" (6) long welds or #8 sheet metal screws, 6" (152) max. on center.

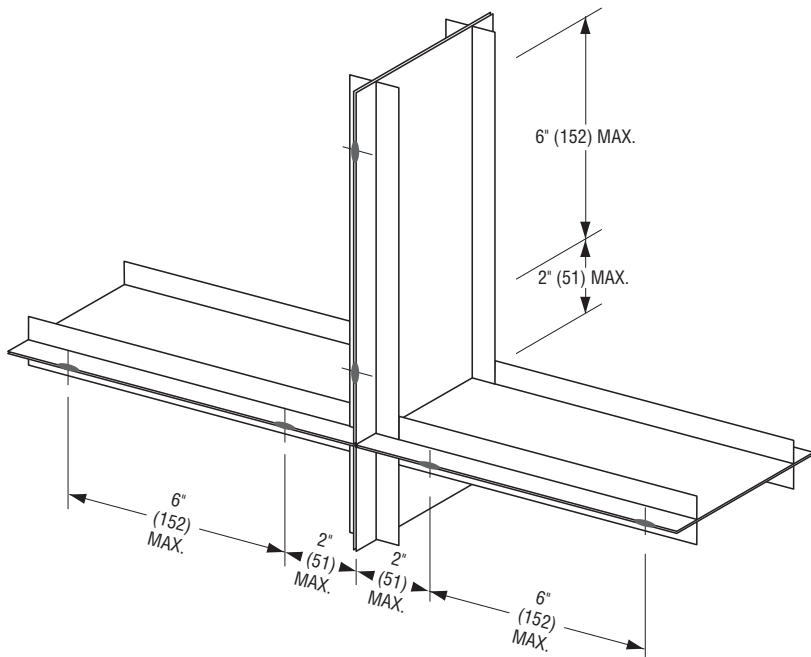


Figure 1.
Fastening of damper frames (see note 8).

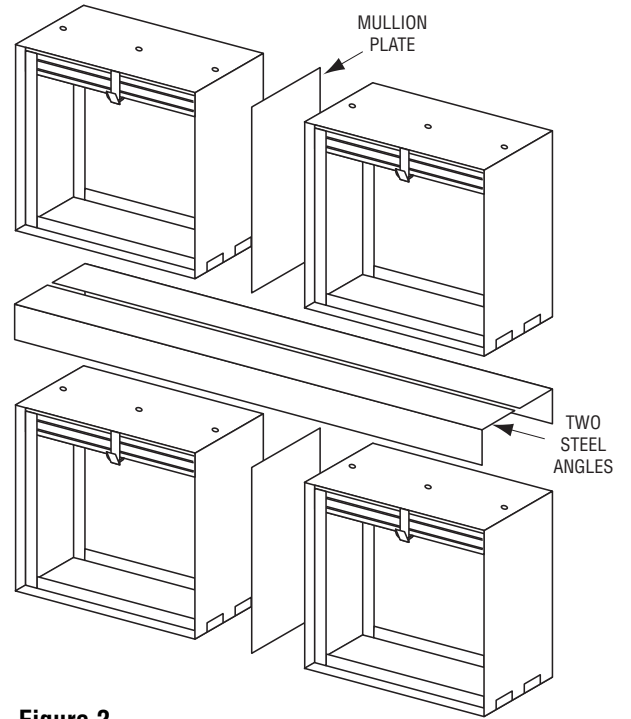


Figure 2.
1 1/2 hr. label vertical installation
over 84" x 84" (2134 x 2134) (see note 8).

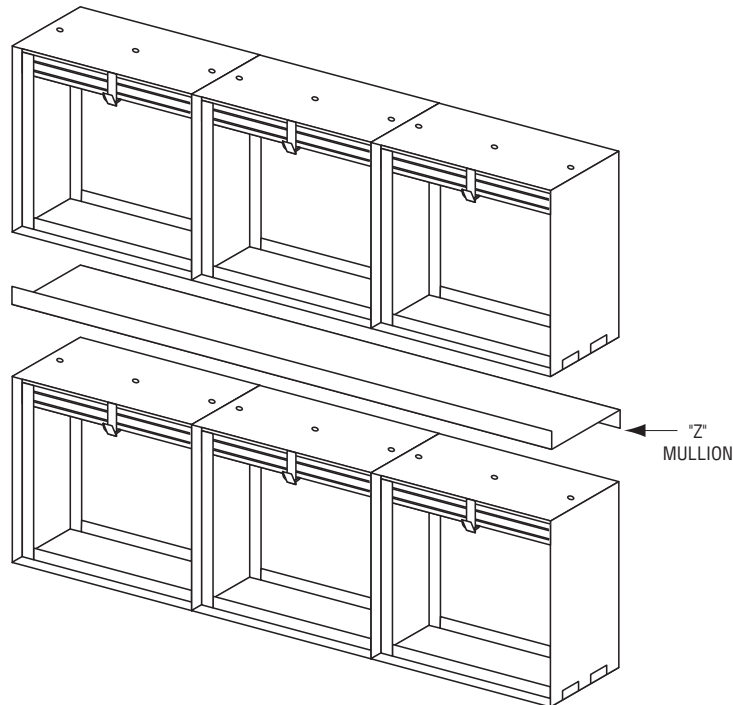


Figure 3.
3 hr. label vertical installation multiple section (see note 8).

9. In cases where the openings are larger than specified in note 7, a UL tested and qualified steel mullion must be provided between assemblies (refer to supplementary installation sheet FDSMINST).

IMPORTANT

DO NOT CAST DAMPER IN PLACE.
DO NOT FASTEN RETAINING ANGLES OR DAMPER DIRECTLY TO WALL OR FLOOR.
DO NOT INSTALL DAMPER OUT OF SQUARE OR OUT OF FLAT.
VERTICAL MOUNTING SHOWN ON MASONRY WALL.
FOR INSTALLATION IN DRYWALL FRAMING, SEE DOC. FDSWSFINST.
HORIZONTAL MOUNTING SIMILAR FOR MASONRY FLOOR.

REFER TO THE APPROPRIATE NAILOR INSTALLATION INSTRUCTION SUPPLEMENTS FOR THE FOLLOWING SPECIAL REQUIREMENTS:

STEEL MULLIONS (for dampers in oversized wall openings)	FDSMINST
SINGLE SIDED RETAINING ANGLES	FDSSRAINST
STEEL AND WOOD STUD FRAMING	FDSWSFINST
CAVITY SHAFT WALL PARTITIONS	FDCSWINST
FLANGED TYPE ALTERNATIVE BREAKAWAY CONNECTIONS	FDFABC
TDC/TDF FLANGED DUCT CONNECTION	FDTDCFINST
QUICK-SET RETAINING ANGLES	FDQSRA

Dimensions are in inches (mm).

Page 4 of 4



Houston, Texas
Tel: 281-590-1172
Fax: 281-590-3086

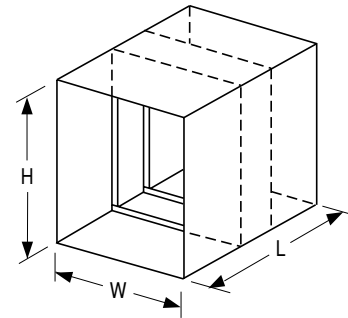
Las Vegas, Nevada
Tel: 702-648-5400
Fax: 702-638-0400

Toronto, Canada
Tel: 416-744-3300
Fax: 416-744-3360

Calgary, Canada
Tel: 403-279-8619
Fax: 403-279-5035

QUALIFICATIONS:

- **UL 555 Classified Fire Damper. 1 1/2 hr. label. (File # 9492).**
- **CAN/ULC-S112 Fire Damper Assemblies.**
- **Meets all the requirements of UL and NFPA 90A for fire dampers in static HVAC systems.**
- **Meets the requirements for BOCA, SBCCI, UBC, IBC, NBC (Canada) and associated local building codes.**
- **California State Fire Marshal Listing No. 03225-0935:113.**
- **City of New York Board of Standards and Appeals. Cal. No. 460-88-SA.**



Type 'A' – Blades and frame in the airstream.

Models: 0114V Vertical and 0114H Horizontal
 Min. size - Vertical or Horizontal 4" x 4" (102 x 102)
 Max. size - Vertical or Horizontal 48" x 48" (1219 x 1219)

The 0100 curtain fire dampers are UL approved for use where local building codes require the protection of HVAC ductwork penetrations in walls, partitions or floors that have a fire resistance rating of up to 2 hours. The 0100s are classified for use only in static "fans off" systems where the HVAC system is automatically shut down in the event of a fire alarm. Integral sleeve fire dampers offer convenience and labor savings. The costly requirement to field or shop fabricate custom sleeves is eliminated and dampers can therefore ship directly from the manufacturer to the job site – saving time and money.

Optional "Quick-Set" retaining angles complete the installation package. Factory fabricated, sized and shipped with damper, they install quickly, provide further labor savings and eliminate the need for any field fabrication.

STANDARD SPECIFICATION:

INTEGRAL

SLEEVE/FRAME: 22 ga. (0.85) roll-formed G60 galvanized steel.
 01 x 4 x -12 Length 12" (305)
 01 x 4 x -14 Length 14" (356)
 01 x 4 x -16 Length 16" (406)

BLADES: Curtain type interlocking blades, 22 ga. (0.85) roll-formed G60 galvanized steel.

FUSIBLE LINK: 165°F (74°C) standard. UL Listed.
 212°F (100°C) available.

BLADE CLOSURE: Vertical mount model; gravity.
 Horizontal mount models are equipped with stainless steel closure springs and galvanized steel locking ramps.

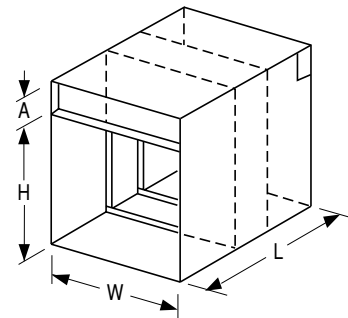
OPTIONS:

- Non-standard temperature fusible link. Specify _____.
 - QS1** Quick-set retaining angles (single set).
 - QS2** Quick-set retaining angles (pair).
- Hemmed Sleeve for slip and drive connection (Type A and B only):
- HM2** (both ends). **HM1** (one end).
 - Pull Tab Release. Permits simple reset of horizontal damper when access door is located below damper. (See dwg. FDPTR for details).

NOTES:

1. Building code and UL Classification require damper installation in accordance with manufacturer's instructions. Refer to documents FDINST, FDTINST and FDSWSFINST.

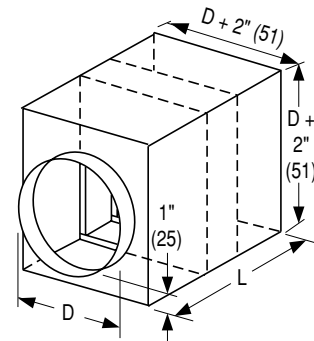
Manufactured by members of S.M.W.I.A.



Type 'B' – Blades out of airstream.

Models: 0124V Vertical and 0124H Horizontal
 Min. size - Vertical 4" x 3" (102 x 76)
 Horizontal 4" x 4" (102 x 102)
 Max. size - Vertical or Horizontal 48" x 43" (1219 x 1092)

Damper Height (H)	Dim. 'A'
5" thru 17" (127 thru 432)	2" (51)
18" thru 27" (457 thru 686)	3" (76)
28" thru 36" (711 thru 914)	4" (102)
37" thru 43" (940 thru 1092)	5" (127)



Type 'CR' – Round transition collars. Blades partially in airstream.

Models: 0134V Vertical and 0134H Horizontal
 Min. size - Vertical 3" dia. (76)
 Horizontal 4" dia. (102)
 Max. size - Vertical or Horizontal 42" dia. (1067)



Houston, Texas
Tel: 281-590-1172
Fax: 281-590-3086

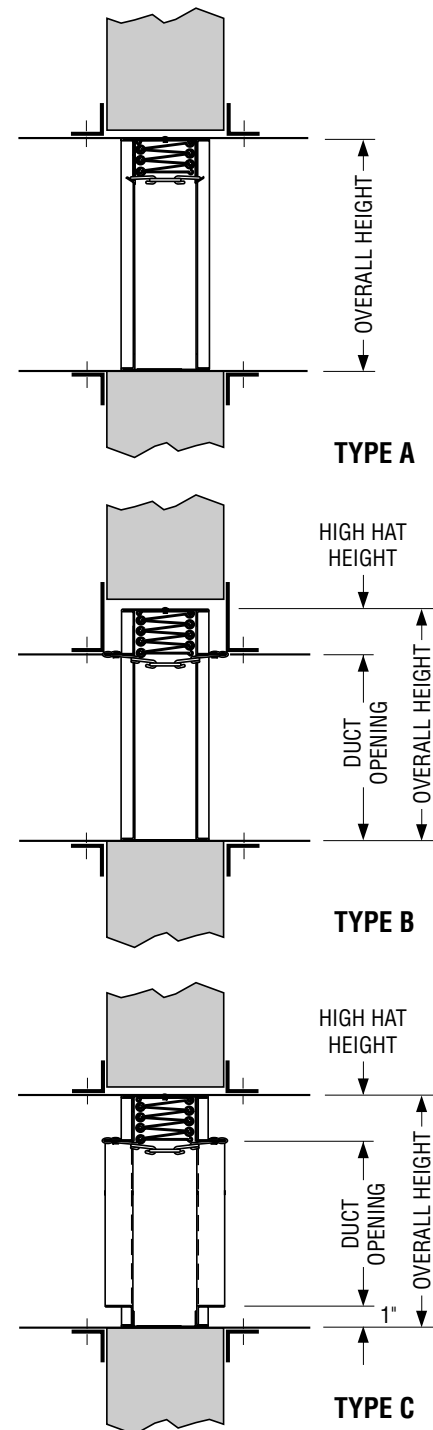
Ft. Lauderdale, Florida
Tel: 954-351-2444
Fax: 954-351-2440

Las Vegas, Nevada
Tel: 702-648-5400
Fax: 702-638-0400

Toronto, Canada
Tel: 416-744-3300
Fax: 416-744-3360

Calgary, Canada
Tel: 403-279-8619
Fax: 403-279-5035

DUCT OPENING HEIGHT (inches)	TYPE "A" OVERALL HEIGHT (inches)	TYPE "B" OVERALL HEIGHT (inches)	TYPE "C" OVERALL HEIGHT (inches)
4	3 3/4	6 1/8	5 3/4
5	4 3/4	7 1/8	6 3/4
6	5 3/4	8 1/8	8 3/4
7	6 3/4	9 1/8	9 3/4
8	7 3/4	10 1/8	10 3/4
9	8 3/4	11 1/8	11 3/4
10	9 3/4	12 1/8	12 3/4
11	10 3/4	13 1/8	13 3/4
12	11 3/4	14 1/8	14 3/4
13	12 3/4	15 1/8	15 3/4
14	13 3/4	16 1/8	16 3/4
15	14 3/4	17 1/8	17 3/4
16	15 3/4	18 1/8	18 3/4
17	16 3/4	19 1/8	19 3/4
18	17 3/4	21 1/8	21 3/4
19	18 3/4	22 1/8	22 3/4
20	19 3/4	23 1/8	23 3/4
21	20 3/4	24 1/8	24 3/4
22	21 3/4	25 1/8	25 3/4
23	22 3/4	26 1/8	26 3/4
24	23 3/4	27 1/8	27 3/4
25	24 3/4	28 1/8	28 3/4
26	25 3/4	29 1/8	29 3/4
27	26 3/4	30 1/8	30 3/4
28	27 3/4	32 1/8	32 3/4
29	28 3/4	33 1/8	33 3/4
30	29 3/4	34 1/8	34 3/4
31	30 3/4	35 1/8	35 3/4
32	31 3/4	36 1/8	36 3/4
33	32 3/4	37 1/8	37 3/4
34	33 3/4	38 1/8	38 3/4
35	34 3/4	39 1/8	39 3/4
36	35 3/4	40 1/8	40 3/4
37	36 3/4	42 1/8	42 3/4
38	37 3/4	43 1/8	43 3/4
39	38 3/4	44 1/8	44 3/4
40	39 3/4	45 1/8	45 3/4
41	40 3/4	46 1/8	46 3/4
42	41 3/4	47 1/8	47 3/4
43	42 3/4	48 1/8	48 3/4
44	43 3/4	49 1/8	49 3/4
45	44 3/4	50 1/8	50 3/4
46	45 3/4	52 1/8	52 3/4
47	46 3/4	53 1/8	53 3/4
48	47 3/4	54 1/8	54 3/4
49	48 3/4	55 1/8	55 3/4
50	49 3/4	56 1/8	56 3/4
51	50 3/4	57 1/8	57 3/4
52	51 3/4	58 1/8	58 3/4
53	52 3/4	59 1/8	59 3/4
54	53 3/4	60 1/8	
55	54 3/4	DAMPER WIDTH OVERALL Type "A" = Duct Opening - 1/4". Type "B" = Duct Opening - 1/4". Type "C" = Duct Opening + 1 3/4".	
56	55 3/4		
57	56 3/4		
58	57 3/4		
59	58 3/4		
60	59 3/4		



Dimensions are in inches (mm).



Houston, Texas
Tel: 281-590-1172
Fax: 281-590-3086

Ft. Lauderdale, Florida
Tel: 954-351-2444
Fax: 954-351-2440

Toronto, Canada
Tel: 416-744-3300
Fax: 416-744-3360

Calgary, Canada
Tel: 403-279-8619
Fax: 403-279-5035

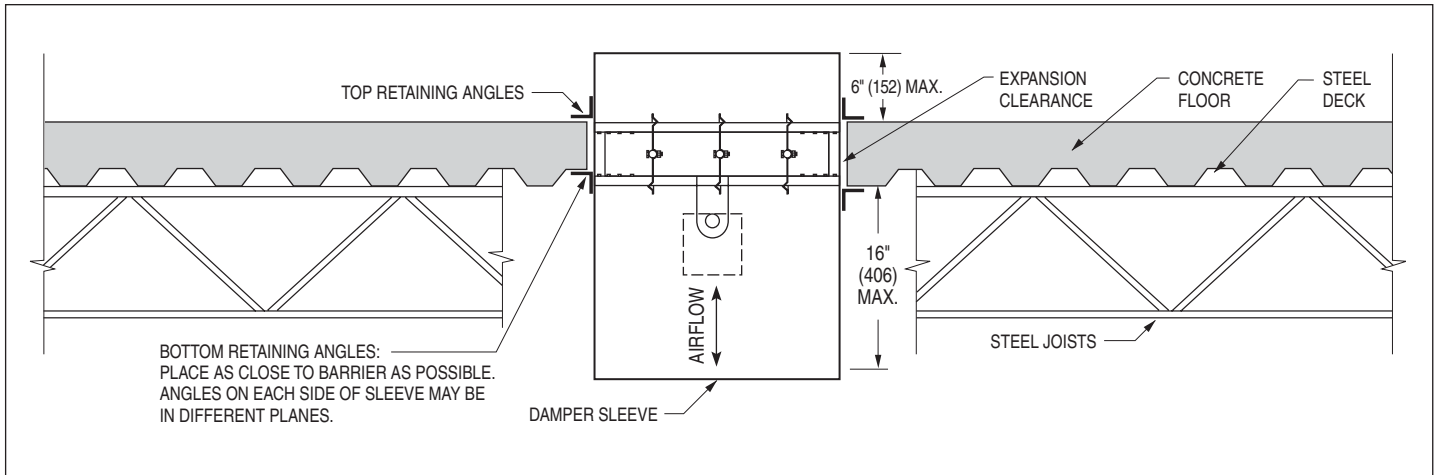


Fig. 1. Floor Opening Detail.

APPLICATION:

Horizontal installation of fire and combination fire/smoke dampers in concrete floors utilizing a steel deck may not allow the bottom angles to be placed against the steel deck on an even plane. This installation details how to properly install the required angles next to the steel deck.

NOTES:

1. Retaining angles are required on top and bottom sides of the damper as detailed in the damper installation instructions for the specific model. Angles may be reversed so that one leg of the angle points into the floor opening provided the required clearance is maintained between angle leg fasteners and the floor opening.
Important: When positioning damper in floor and attaching retaining angles to sleeve, ensure fasteners clear and do not penetrate damper frame. Failure to do so may prevent correct damper operation or closure due to fouling of linkage or damper blades.
2. Installation of the bottom angle against the uneven steel deck shall be done so the angles on each side of the sleeve are as close to the barrier as possible. The angles may be in different planes relative to each other (see Figures 1 and 2).
3. When viewed from the end of the sleeve, the angles must overlap each other in the corners to prevent "see through".

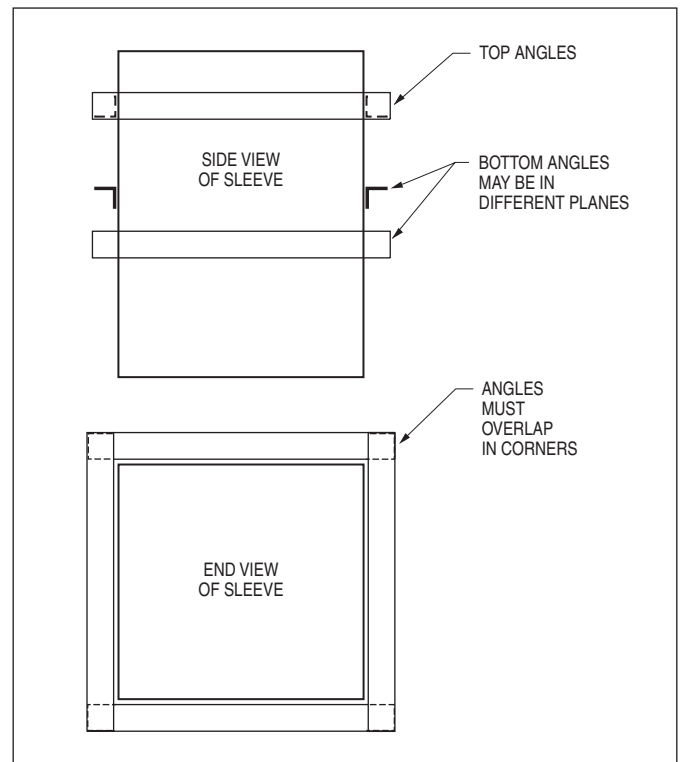


Fig. 2. Retaining Angle Detail

Refer to the Following Installation Instructions:

Curtain Type Fire Dampers (D)0100 & (D)0500	FDINST
Curtain Type Fire Dampers 0200 & 0500 Thinline	FDTINST
Multi-Blade Fire Dampers 1200 & 1250	MBFDINST
Combination Fire/Smoke Dampers 1220	1220INST
Combination Fire/Smoke Dampers 1270	1270INST



Dimensions are in inches (mm).



Houston, Texas
Tel: 281-590-1172
Fax: 281-590-3086

Las Vegas, Nevada
Tel: 702-648-5400
Fax: 702-638-0400

Toronto, Canada
Tel: 416-744-3300
Fax: 416-744-3360

Calgary, Canada
Tel: 403-279-8619
Fax: 403-279-5035

APPLICATION:

This vertical fire damper installation is for metal stud framing in UL resistant cavity shaft wall designs (1 and 2 hr.) including Nos. U438, U469 and U497. It differs from conventional fire damper installations in that it requires retaining angles on one side of the wall only, which are fastened to the wall as well as the damper for opening sizes up to 48" W x 36" H (1219 x 914). Larger openings require retaining angles on both sides.

GENERAL INSTALLATION:

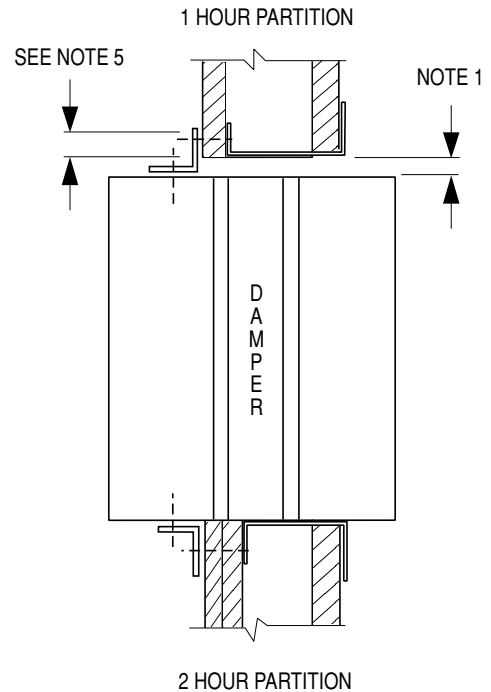
- 1. Expansion Clearance:** Opening in wall shall be a minimum 1/8" (3) per linear foot larger than overall size of damper and sleeve assembly in either dimension. Maximum opening not to exceed 1/8" (3) per foot plus two inches. Opening shall not be less than 1/4" (6) larger for any size damper and sleeve assembly.
- 2. Damper Sleeve:** Sleeve gauge shall be at least equal to the gauge of the duct as defined by the appropriate SMACNA duct construction standard and described in NFPA 90A when one or more of the following duct-sleeve connections are used (TDC/TDF breakaway, ductmate breakaway, plain "S" slip, hemmed "S" slip, standing "S" slip, reinforced standing "S" slip, inside slip joint, and double "S" slip.)

In addition, the following connections are acceptable:

- A.** On rectangular duct, a standing S slip connection, with two #10 sheet metal screws on each side and bottom of the joint and with duct sealant* applied to each connection, may be used.
- B.** On rectangular duct, a standing S slip connection on top and bottom joints and flat drive connections on side joints with duct sealant* applied to each connection, may be used for dampers 48" x 20" (1219 x 508) and smaller. Plain S and hemmed S slip connections can also be used in lieu of the standing S connections described above.
- C.** A round duct may be attached to the round adapter which is part of the damper sleeve in the following manner:
 - (a) Duct diameters 22" (559) and smaller must use three #10 sheet metal screws equally spaced around the circumference and with duct sealant* applied to the connection.
 - (b) Duct diameters over 22" (559) up to and including 36" (914) may use five #10 sheet metal screws equally spaced around the circumference and with duct sealant* applied to the connection.
 - (c) Duct diameters larger than 36" (914) wide or diameter may use eight #10 sheet metal screws equally spaced around the circumference.

*The duct sealant must be PA2084T Duct Sealant Adhesive as manufactured by Precision or water based DP1010 by Design Polymetrics.

- 3.** If any other duct-sleeve connections are used, sleeve shall be minimum of 16 gauge (1.6) for dampers up to 36" w x 24"h (914 x 610) and 14 gauge (1.9) if damper width exceeds 36" (914) or height exceeds 24" (610).
- 4. Damper/Sleeve Attachment:** Damper shall be secured to sleeve with 1/4" (6) long welds, 3/16" (5) steel rivets, 1/4" (6) bolts and nuts, #8 sheet metal screws, or 3/16" (5) buttonlocks on both sides at 6" (152) on center and 2" (51) maximum from the corner of the damper on all four sides. For field assembled sleeves, the inner dimensions of the sleeve shall be equal to the outer dimensions of the damper.



5. Retaining Angles:

- A.** Shall be a minimum of 1 1/2" x 1 1/2" x 16 gauge (38 x 38 x 1.61) and fastened with #10 bolts or screws, 1/2" (13) long welds, or 3/16" (5) rivets to sleeve at a maximum spacing of 8" (152) O.C. and not more than 2" (51) from each end with a minimum of two connections on each side, top and bottom (See Illustration).

Nailor 'Quick-Set' Retaining Angles can be used in lieu of conventional mounting angles. Retaining angles must overlap the structural opening by 1" (25) minimum.

- B.** Retaining angles screw to wall with #10 screws. Use a minimum of two fasteners per side, top and bottom 12" (305) O.C. maximum.

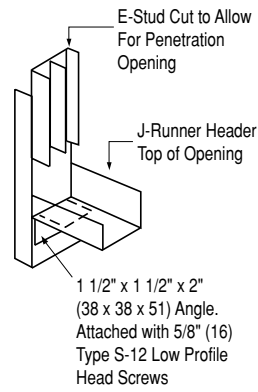
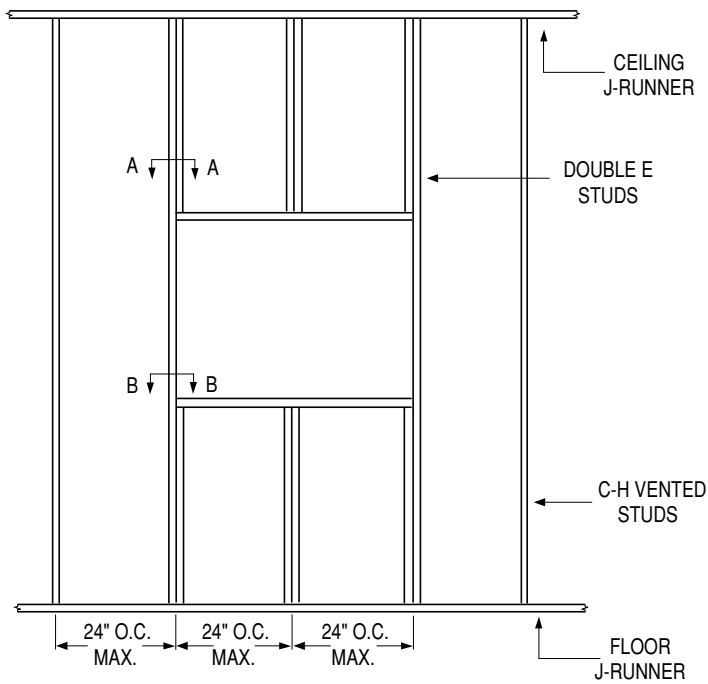
- 6.** See framing detail on next page for opening preparation. Refer to the appropriate installation supplements for the following requirements:

Ductmate Breakaway Connection	Doc. FDDMINST
Flange System Breakaway Connections	Doc. FDTDCFINST
'Quick-Set' Retaining Angles.	Doc. FDQSRA

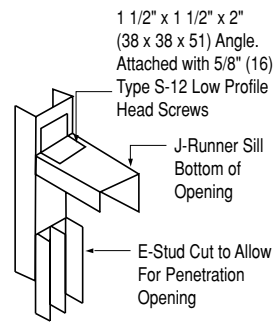
- 7.** Refer to Underwriters Laboratories Inc. Fire Resistance Directory Vol. II for details on UL Design No. U438, U469 and U497.



**FRAMING DETAIL FOR ASSEMBLIES
(U438 AND U469)**

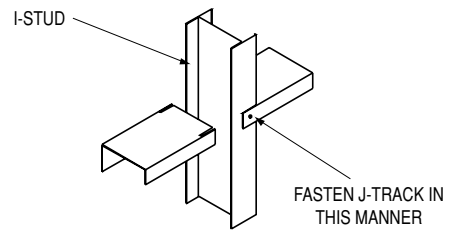
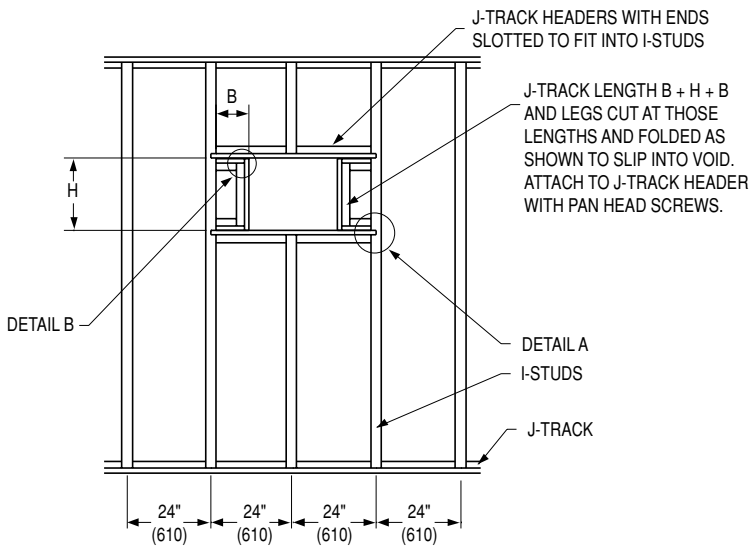


SECTION A-A

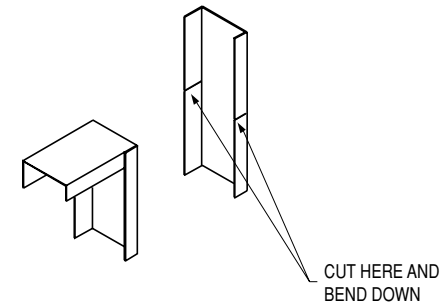


SECTION B-B

**FRAMING DETAIL FOR
ASSEMBLIES (U497)**



DETAIL A



DETAIL B

Dimensions are in inches (mm).

Page 2 of 2



Houston, Texas
Tel: 281-590-1172
Fax: 281-590-3086

Las Vegas, Nevada
Tel: 702-648-5400
Fax: 702-638-0400

Toronto, Canada
Tel: 416-744-3300
Fax: 416-744-3360

Calgary, Canada
Tel: 403-279-8619
Fax: 403-279-5035

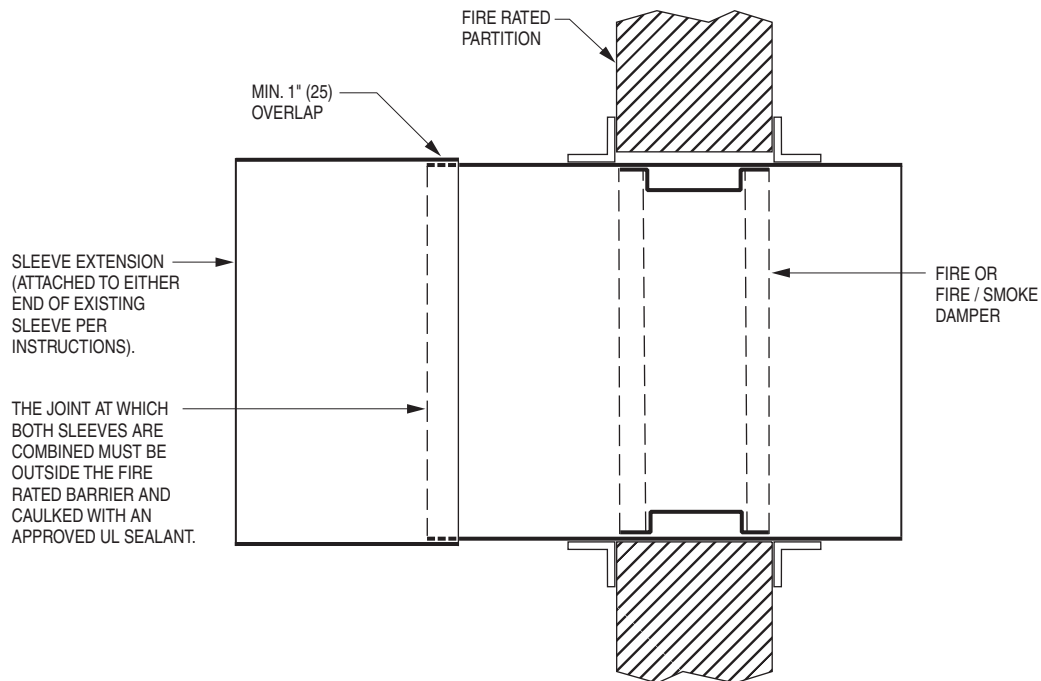


Figure 1. Sleeve Extension Detail

APPLICATION:

Factory installed sleeves may sometimes need to be extended in the field when of insufficient length for ductwork connection relative to the depth of the fire partition. This supplement installation instruction provides details for attachment of the sleeve extension. Consult Authority Having Jurisdiction for approval.

NOTES (Refer to Figure 1):

1. Sleeve extension must be same material and gauge as factory sleeve.
2. The inside dimensions of the sleeve extension must be the same dimensions as the outside dimensions of the factory sleeve.
3. Sleeve extension must overlap the factory sleeve a minimum of 1" (25).
4. All four sides of the sleeve extension must be attached to the factory sleeve. Attachments must be spaced a maximum of 6" (152) on center and a maximum of 2" (51) from corners. A minimum of 2 attachments per side (8 per damper) are required. Attach the sleeve extension using 1/2" (13) long tack or spot welds, #10 sheet metal screws, 1/4" (6.35) dia. bolts and nuts or 3/16" (5) steel pop rivets.
5. Products with a smoke leakage rating require that the joint between the two sleeves be sealed with a continuous 1/8" (3) bead of GE RTV108 or Dow Corning RTV732 silicone sealant.

6. Sleeve extensions can be made to either end of the factory sleeve. However, the sleeve cannot extend beyond the fire partition more than 6" (152) on either side or 16" (406) on one side if equipped with an actuator or integral access door.
7. The joint created by the factory sleeve and sleeve extension cannot be in the plane of the partition.

Refer to the Following Installation Instructions:

Curtain Type Fire Dampers (D)0100 & (D)0500	FDINST
Curtain Type Fire Dampers 0200 & 0500 Thinline	FDTINST
Multi-Blade Fire Dampers 1200 & 1250	MBFDINST
Combination Fire/Smoke Dampers 1220	1220INST
Combination Fire/Smoke Dampers 1270	1270INST



Dimensions are in inches (mm).

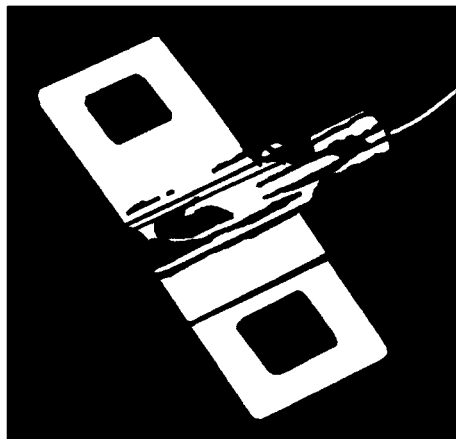
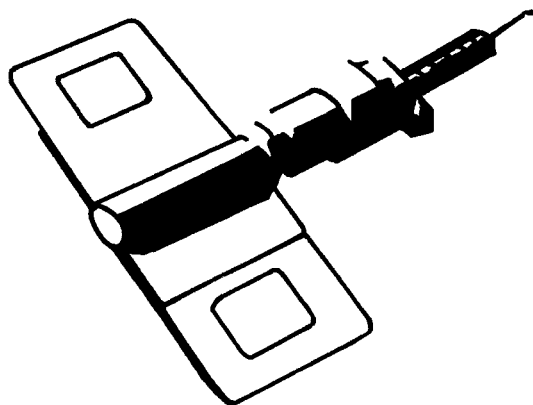


Houston, Texas
Tel: 281-590-1172
Fax: 281-590-3086

Las Vegas, Nevada
Tel: 702-648-5400
Fax: 702-638-0400

Toronto, Canada
Tel: 416-744-3300
Fax: 416-744-3360

Calgary, Canada
Tel: 403-279-8619
Fax: 403-279-5035



ETL[®]

WHAT IT IS – WHAT IT DOES

The Electro Thermal Link (ETL[®]) is a multi purpose, dual responsive fusible link which reacts (melts) when subjected to;

1. Local heat (165°F (74°C)) exactly the same as an ordinary link.
2. External electrical impulse of low power and short duration.

It is specifically designed to substitute for ordinary links and/or actuators in existing and new installations of Fire Dampers, Fire Doors, Fire Extinguishers, Fire and Smoke Roof Hatches, Sprinklers, Smoke Towers, and chemical or gas Automatic Release Systems.

The substitution should be made in every installation of the above devices where it is desirable to improve life safety by making those devices responsive to -

SMOKE in the early form of invisible products of combustion through ionization detectors, or
FIRE at an earlier stage than ordinary links thru the use of rate of rise or maximum temperature devices.

The ETL's electro-response is the unique feature. It is not smoke responsive of itself, but its power requirement is so low that it can be released with an electrical impulse from any smoke detector's power source. It is compatible with every smoke detector on the market in the United States today.

The operating range is 6 to 30 volts AC or DC, less than 0.2 ampere of trip current required, and 1/2 millisecond (.0005 second) response at 24 v. The electrical response is a trigger for the chemical heating of the center element which is a self-contained exo-thermic reactor, yielding no noise, smoke, or gas - just quick heat to open the link in seven seconds.

The ETL's thermal response is identical to that of ordinary fusible links of identical temperature (165°F (74°C)) and strength (40#) rating.

In its capacity of converting a FIRE safety device into a FIRE/SMOKE safety device the ETL can be substituted for both an ordinary link and motor, or link and electromagnetic operator with advantages of simplicity, economy, operational reliability and wide acceptability. With its dual responsiveness the ETL can be substituted for two other devices at a savings in first cost as well as operating cost and maintenance. The ETL is a Space Age Device built to zero defect standards and to last at least fifty years and then still react properly – only on fire or smoke emergency. It is totally independent of power failures since it draws power from the detector standby source if needed. The ETL is listed by Underwriter's Laboratories, Inc. as a Fusible Link.

With the ongoing development of dynamic smoke control systems and building code changes in recent years, application and use of this product should be governed by acceptance of the local authority having jurisdiction.



Houston, Texas
Tel: 281-590-1172
Fax: 281-590-3086

Ft. Lauderdale, Florida
Tel: 954-351-2444
Fax: 954-351-2440

Toronto, Canada
Tel: 416-744-3300
Fax: 416-744-3360

Calgary, Canada
Tel: 403-279-8619
Fax: 403-279-5035

Nailor[®] FIRE DAMPER INSTALLATION SUPPLEMENT Industries Inc. FLANGED TYPE ALTERNATE BREAKAWAY CONNECTIONS

These instructions provide details for an alternate breakaway connection between a fire damper or combination fire smoke damper sleeve and an adjoining duct. This alternate connection is classified with U.L. under the certification of the damper. These instructions apply to a connection using a manufactured add-on flange system by Ductmate, Ward, or Nexus and a TDC or TDF roll-formed flange system. These connections allow for both the use of the same flange type or the combining of mixed flange types. The following instructions depict the use of metal or plastic cleats and bolted or non-bolted corners:



1. Install the manufactured flange system onto the damper sleeve or duct per the manufacturer's instructions.
2. To seal the two flange systems together, Neoprene or Butyl gasketing may be applied between the mating surfaces.
3. Align the two flange systems together. An optional 3/8" (9) bolt may be used in the corners to help with the alignment. These bolts do not have to be removed.
4. Install the cleat or #10 tek screw approximately equally spaced, per the following schedule:
 - Width or height less than 24" (610); use one cleat or screw per side
 - Width or height 24" (610) to less than 36" (914); use 2 cleats or screws per side
 - Width or height 36" (914) to less than 54" (1372); use 3 cleats or screws per side
 - Width or height 54" (1372) to less than 72" (1829); use 4 cleats or screws per side
 - Width or height 72" (1829) or greater; use 5 cleats or screws per side

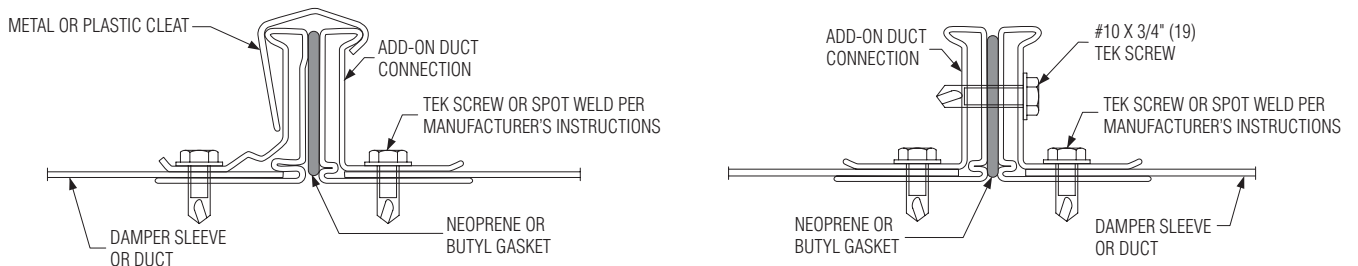


FIGURE 1. ADD-ON/ADD-ON

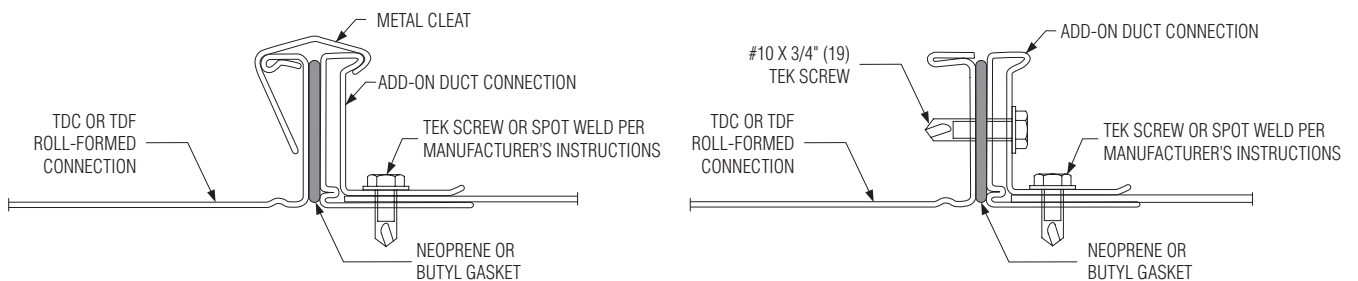


FIGURE 2. ROLL-FORMED/ADD-ON

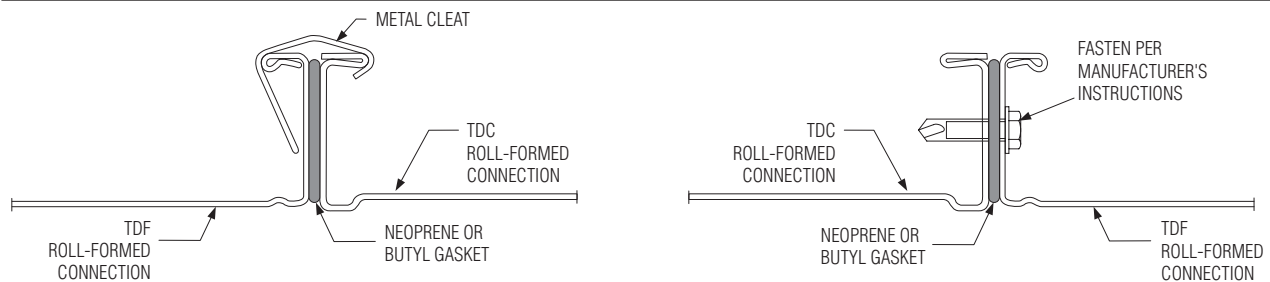


FIGURE 3. ROLL-FORMED/ROLL-FORMED

Dimensions are in inches (mm).



Houston, Texas
Tel: 281-590-1172
Fax: 281-590-3086

Las Vegas, Nevada
Tel: 702-648-5400
Fax: 702-638-0400

Toronto, Canada
Tel: 416-744-3300
Fax: 416-744-3360

Calgary, Canada
Tel: 403-279-8619
Fax: 403-279-5035

DESCRIPTION:

1. Pull ring: 1 1/4 (32) diameter nickel plated steel.
2. Attachment strap: 22 ga. galvanized or stainless steel.

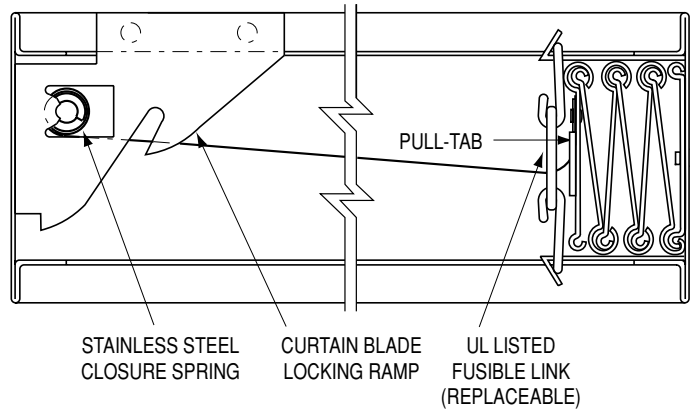
Horizontal curtain type fire dampers for use in static systems and all dynamic dampers utilize stainless steel springs and locking ramps to draw the curtain closed in the event of a fire or upon manual release.

Horizontally installed dampers are designed and tested to be mounted with the locking ramps on the top side. When periodic testing (as well as maintenance and inspection) is required, access doors should be located above the damper, so that the damper blade pack can be "pushed down" and released off the locking ramp for reset.

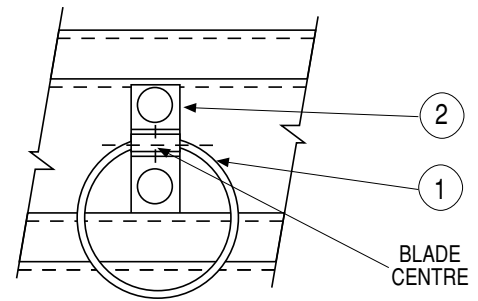
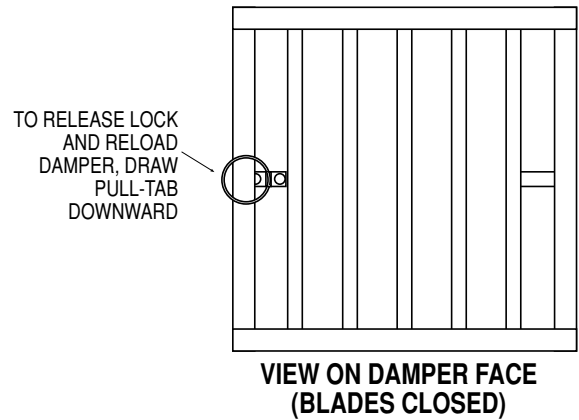
When access from above is not possible or convenient, the Pull-Tab release option permits simple resetting from beneath the damper.



TOP OF UNIT (Horizontal Installation)



TYPE "A" MODEL 0110H (TYPE "B" SIMILAR).



DETAIL OF PULL-TAB

Dimensions are in inches (mm).



Houston, Texas
Tel: 281-590-1172
Fax: 281-590-3086

Ft. Lauderdale, Florida
Tel: 954-351-2444
Fax: 954-351-2440

Toronto, Canada
Tel: 416-744-3300
Fax: 416-744-3360

Calgary, Canada
Tel: 403-279-8619
Fax: 403-279-5035

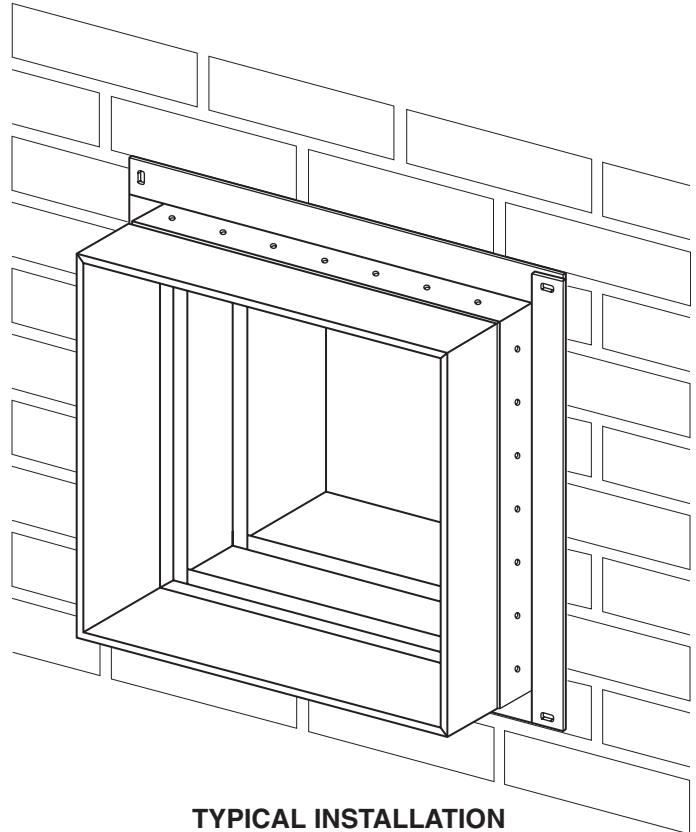
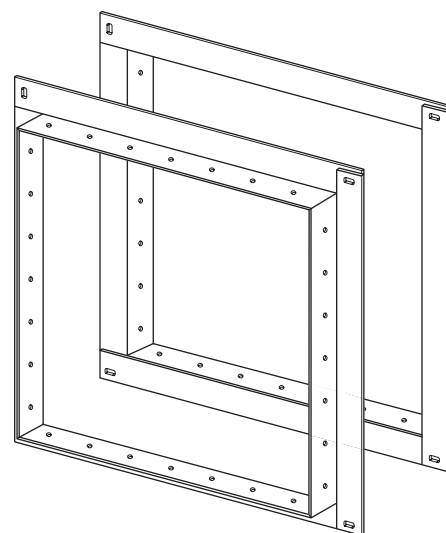
**"QUICK-SET" RETAINING ANGLES BOTH SIMPLIFY AND SPEED INSTALLATION,
SAVING BOTH TIME AND MONEY.****BENEFITS:**

- One piece angles are fastened together in the corners. Only two sets of angles to handle per damper (rather than four separate angles per side).
- Angles are shipped with damper - no sorting or matching.
- Provided with pre-drilled fastening holes on 2" (51) centers to ensure correct angle/sleeve attachment.
- Factory fabricated by Nailor to suit the individual fire damper.
- Reduced cost when compared to conventional retaining angles.
- Dampers can ship directly to the job site complete with all necessary installation sheet metal hardware (saves on double handling at contractor's shop).
- Help ensure a correct installation as per U.L. approved installation instructions.

The majority of installing contractors view fire damper installation as a costly time consuming and troublesome procedure. Eight conventional angles must be custom fabricated for each damper either in a sheet metal shop or at the job site and sized to suit each individual damper. Invariably, they are mislaid or lost and must be matched to each factory supplied damper.

The Nailor "Quick-Set" solution solves the majority of problems. They are pre-formed to fit and ship with the individual damper for ultimate convenience. "Quick-Set" angles are supplied with correctly spaced pre-drilled screw-holes to ensure a quick, easy and accurate installation for all integral sleeve Nailor fire and combination fire/smoke dampers - no measuring required.

"Quick-Set" retaining angles provide the "complete" installation package. Simple, fast, convenient.

**TYPICAL INSTALLATION****TYPICAL PAIR OF PRE-ASSEMBLED
'QUICK-SET' RETAINING ANGLES**

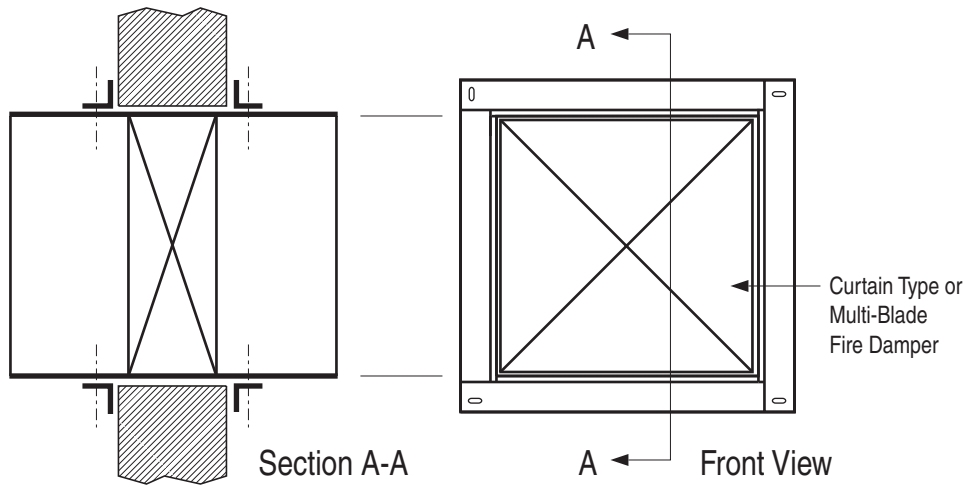


FIGURE 1. TYPICAL TWO SIDED INSTALLATION.

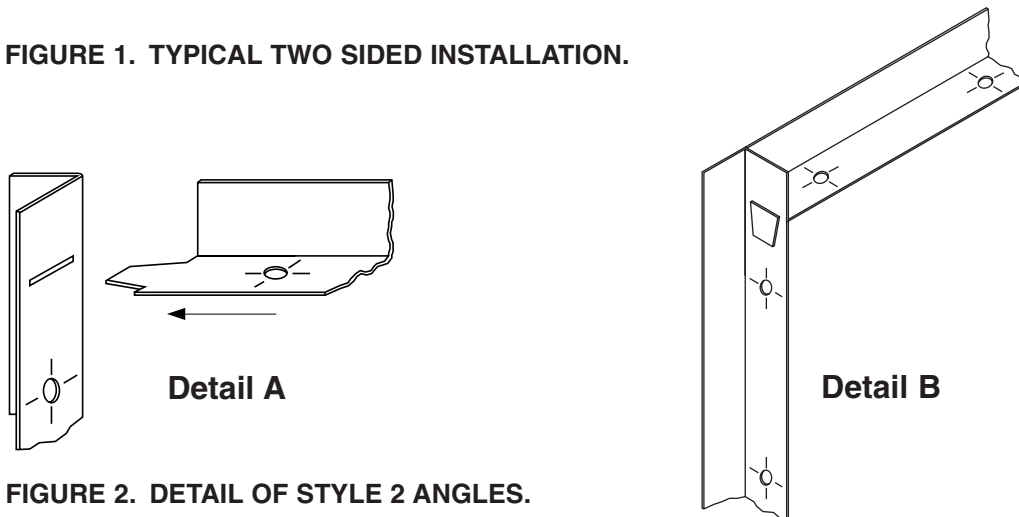


FIGURE 2. DETAIL OF STYLE 2 ANGLES.

APPLICATION:

The Nailor Quick-Set Retaining Angle System may be used in lieu of conventional retaining angles on all Nailor Fire and Combination Fire / Smoke Dampers.

Quick-Set angles are supplied in one of two styles, dependent upon fire resistance label, damper size and installation method.

Style 1: 1 1/2" x 1 1/2" x 20 ga. (38 x 38 x 1.0) Four sides are connected together with rivets in three corners.

Standard for the majority of applications with the following limitations:

- 1 1/2 hour label fire dampers
- Maximum Size: 36" x 36" (914 x 914)
- Two sided installation only

Style 2: 1 1/2" x 1 1/2" x 16 ga. (38 x 38 x 1.6) Slot and tab design. The retaining angle assembly for each side has four angles, each with a tab end and a slot end (Detail A). The tabs are to be inserted into the slots and knocked down either before or after fastening to the sleeve (Detail B).

- 1 1/2 or 3 hour label fire dampers
- Maximum Size: 90" x 48" (2286 x 1219) or 48" x 90" (1219 x 2286)
- Single side (1 1/2 hour only. Refer to Single Side Retaining Angles Supplementary Installation Instructions for size limitations) or two sided installation

Refer to the Following Installation Instructions:

Curtain Type Fire Dampers (D)0100 & (D)0500	FDINST
Curtain Type Fire Dampers 0200 & 0500 Thinline	FDTINST
Multi-Blade Fire Dampers 1200 & 1250	MBFDINST
Combination Fire/Smoke Dampers 1220	1220INST
Combination Fire/Smoke Dampers 1270	1270INST
Single Side Retaining Angles	FDSSRAINST



Dimensions are in inches (mm).



Houston, Texas
Tel: 281-590-1172
Fax: 281-590-3086

Las Vegas, Nevada
Tel: 702-648-5400
Fax: 702-638-0400

Toronto, Canada
Tel: 416-744-3300
Fax: 416-744-3360

Calgary, Canada
Tel: 403-279-8619
Fax: 403-279-5035

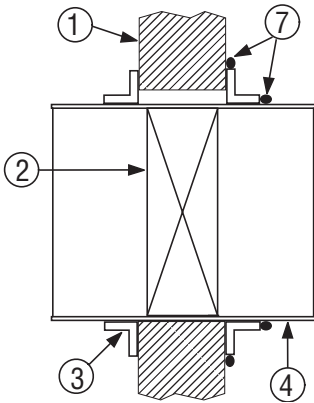


Figure 1. Damper ducted both sides.

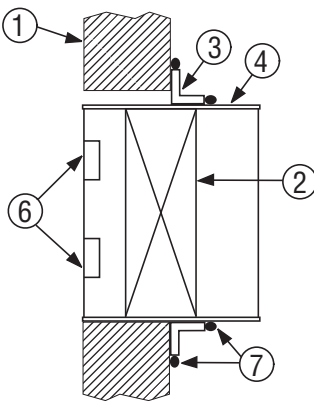


Figure 2. Damper sleeve with tabs for grille mounting

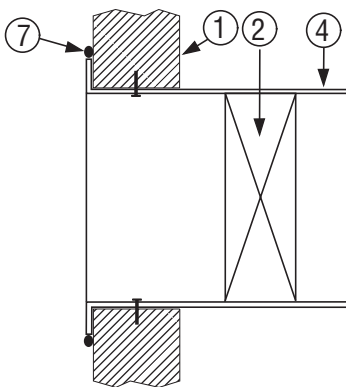


Figure 3. Out of Wall damper with flanged sleeve for grille mounting

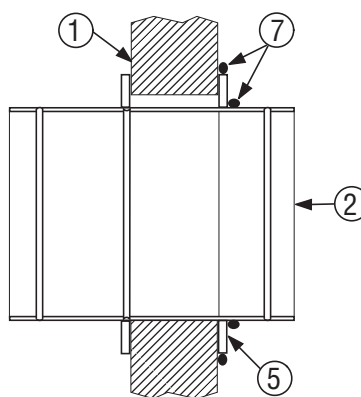


Figure 4. Round damper

APPLICATION:

Application of sealant between the retaining angles, retaining plates, or sleeve retaining flange and the fire rated wall or floor as applicable to the damper installation is not required by UL as a standard procedure. However, if an airtight seal is required by specification or local building code, sealant shall be applied as shown.

METHOD

Follow the sealant manufacturers' directions; remove dirt, grease, and moisture from the surfaces to be sealed. Apply a continuous bead of Dow Corning RTV732, Hilti Corporation FS-One, Nuco Inc. Self-Seal GG-200, Johns Manville Firetemp C1 or GE RTV108 sealant. Location of sealant should be as shown in Figures 1 through 4 and may be applied on one or both sides of the fire separation, as applicable to the model specific installation.

IMPORTANT:

Do not apply sealant within the required expansion gap between the damper and the fire rated wall or floor.

Press the surface of the sealant in place to dispel any air. Allow sealant to set and become tack-free before operating the damper.

Refer to the appropriate damper installation instructions for details on damper installation.

ITEMS

1. Fire Rated Wall or Floor
2. Damper
3. Retaining Angles
4. Sleeve
5. Retaining Plate
6. Mounting Tabs
7. Sealant (refer to text for specific sealant)

Dimensions are in inches (mm).



Houston, Texas
Tel: 281-590-1172
Fax: 281-590-3086

Las Vegas, Nevada
Tel: 702-648-5400
Fax: 702-638-0400

Toronto, Canada
Tel: 416-744-3300
Fax: 416-744-3360

Calgary, Canada
Tel: 403-279-8619
Fax: 403-279-5035

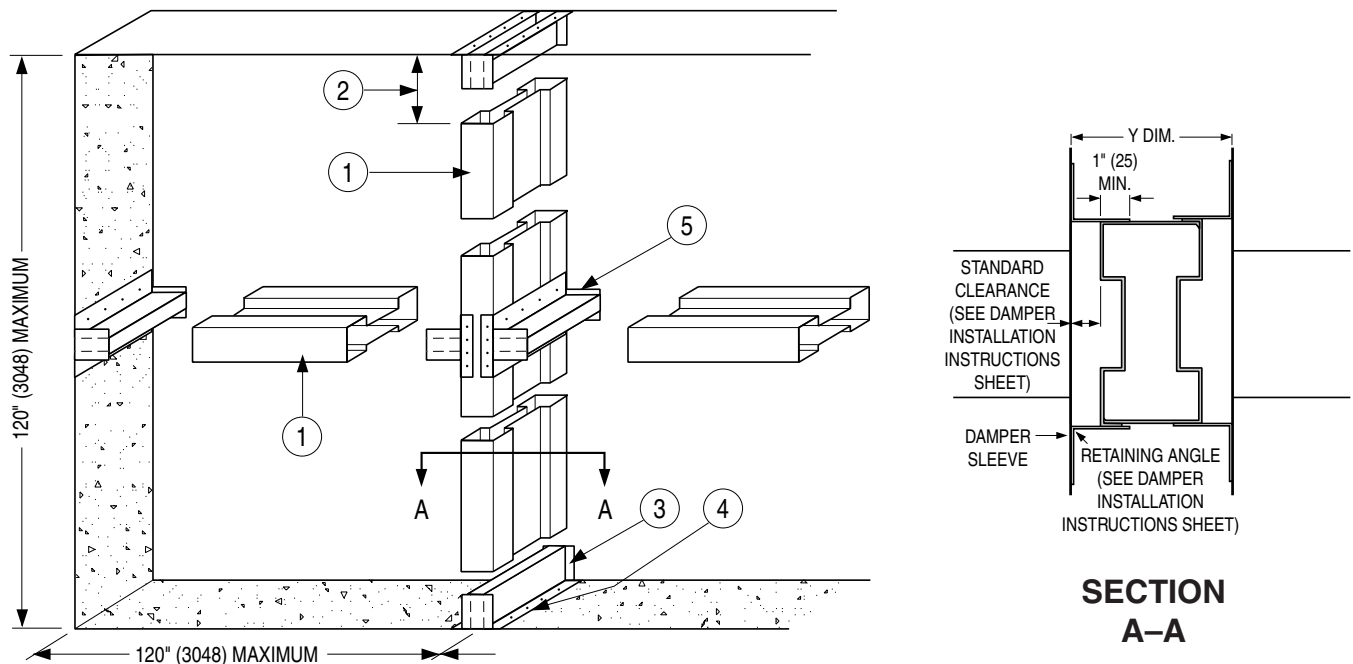
APPLICATION:

Fire dampers are UL/ULC Classified for their maximum size or maximum assembly size. Generic steel mullions can be used in static HVAC systems to separate vertically mounted 1 1/2 hour labeled galvanized steel fire dampers in vertical wall openings larger than maximum UL/ULC permitted multiple damper assembly size. Fire dampers must not exceed a maximum 120" (3048) height by unlimited width using vertical mullions every 120" (3048) max. Mullions are not intended to be part of the ductwork. (i.e. exposed to airflow).

Whenever the duct size exceeds the maximum damper width or height, the opening must be divided into two or more separate openings with a mullion installed between the damper sections. The mullion consists of a vertical and/or horizontal mullion and mullion caps. One cap for each end of the mullion.

The steel mullion is intended for use only in concrete block or poured walls with 7" (178) minimum and 12" (305) maximum thickness. Hollow concrete block walls are to be suitably filled with minimum 3500 psi concrete for proper securing of mullions.

Important Note: Steel mullions are for use in static systems only. UL/ULC does not acknowledge their use with dynamic fire dampers.



FABRICATION AND GENERAL INSTALLATION:

1. Fabricate mullions of 16 ga. (1.6) galvanized steel as shown in **Figure 1**. Two mullion pieces are joined with 3/16" (5) diameter steel pop rivets or 3/4" (19) long welds located 6" (152) maximum from each end and 12" (305) O.C. maximum.
2. The mullion should permit clearance between the mullion and top cap. Required clearance is 1/8" (3) per foot of wall opening height. Minimum permitted clearance is 1/4" (6). Maximum permitted clearance is 1 1/4" (32) (e.g. for an 8 ft. (2438) high opening the permitted clearance is 1/8" (3) x 8 = 1" (25) +).
3. Fabricate two caps for each mullion of 12 ga. (2.8) galvanized steel as shown in **Figure 2** for vertical and horizontal mullions. (Caps must permit mullion to overlap each cap by minimum 3" (76)). Cap height is calculated by adding 3" (76) to permitted mullion expansion clearance which is 1/8" (3) per foot of wall opening height. Insert mullion caps into mullion ends allowing mullion to float between the caps. Do not fasten mullion to caps in any way. Locate within opening to provide correct expansion clearance for dampers.
4. Drill holes in caps and concrete for anchoring steel mullion caps with 1/4" (6) – 20 x 5/16" (8) steel screws and 3/8" (10) diameter x 1" (25) concrete expansion anchors. The eight holes to secure the cap (**Figure 3**) are equally spaced, X ÷ 8 from both ends and 1/2" (13) inwards of each side.
5. Set horizontal mullion caps at vertical mullions as shown (**Figure 4**). If steel lintels are present, four 1" (25) welds (two per mullion cap leg) may be used to anchor each mullion cap.

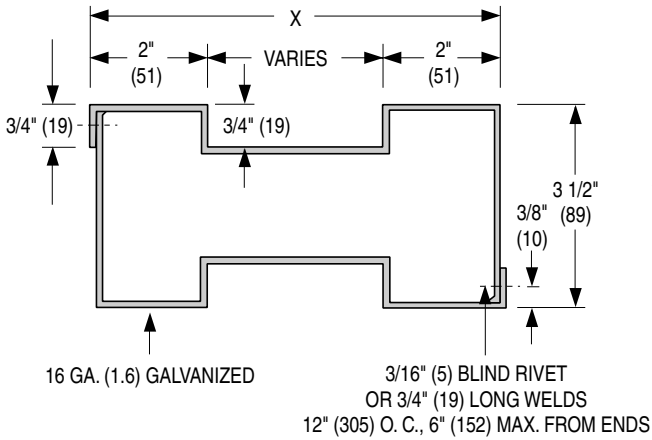


FIGURE 1
MULLION CROSS-SECTION

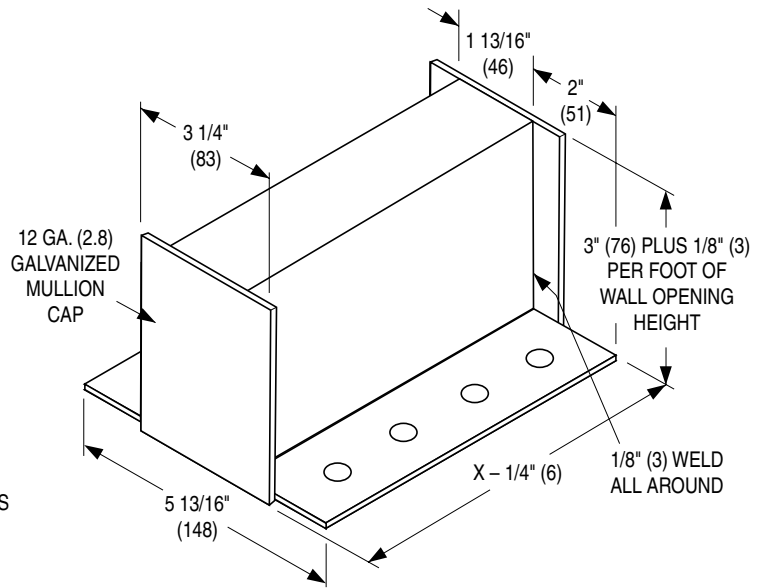


FIGURE 2

X = WALL THICKNESS

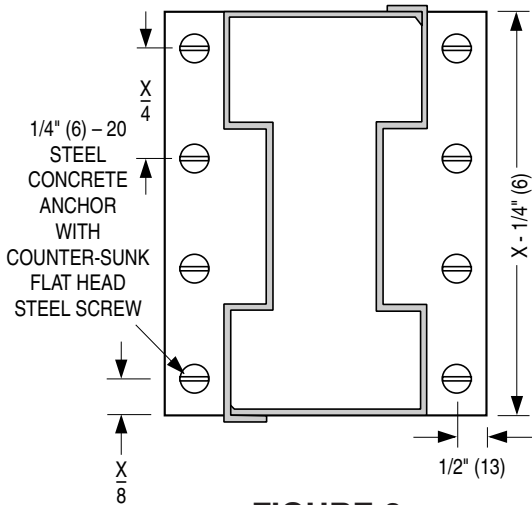


FIGURE 3

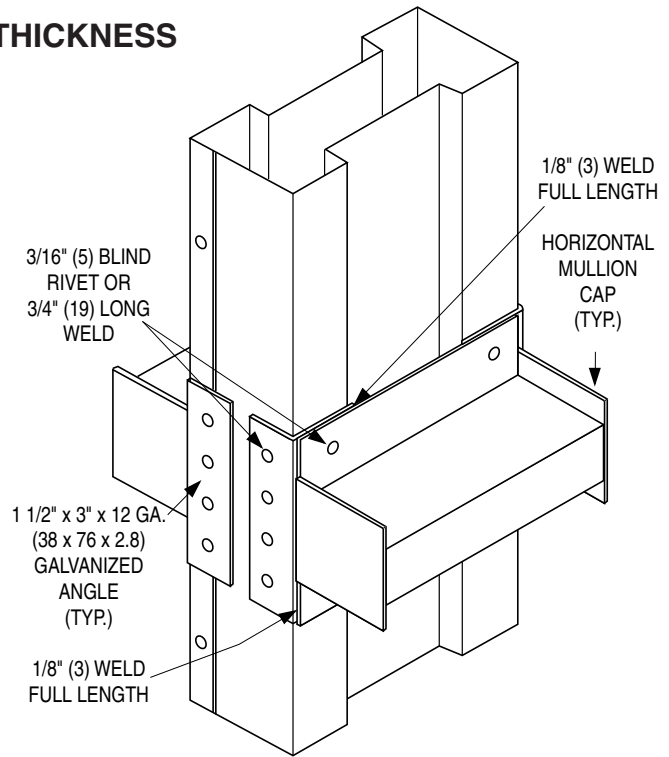


FIGURE 4



Refer to the UL or ULC Classification Marking on the Product

These instructions comply with Underwriters Laboratories Safety Standard 555.

Dimensions are in inches (mm).

Page 2 of 2



Houston, Texas
Tel: 281-590-1172
Fax: 281-590-3086

Las Vegas, Nevada
Tel: 702-648-5400
Fax: 702-638-0400

Toronto, Canada
Tel: 416-744-3300
Fax: 416-744-3360

Calgary, Canada
Tel: 403-279-8619
Fax: 403-279-5035

Detail 1A
Angle over
drywall.

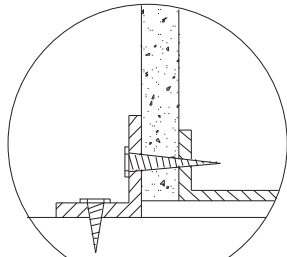
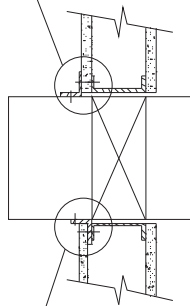


Figure 1
Metal Stud



Detail 1B
Angle under
drywall.

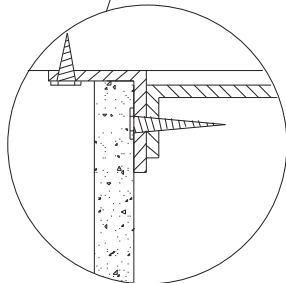


Figure 2
Wood Stud

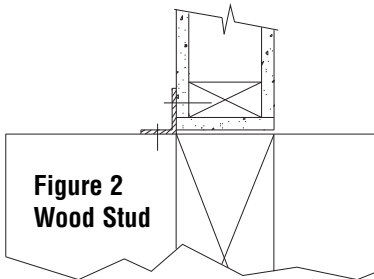
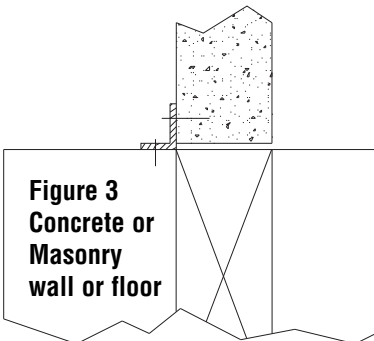


Figure 3
Concrete or
Masonry
wall or floor



NOTES:

1. For the maximum sizes listed below, all Nailor 1 1/2 hour labeled curtain, multi-blade and combination fire/smoke dampers may be installed using single-side retaining angles in lieu of the conventional two-sided retaining angle method. Retaining angles may be field fabricated or factory supplied and may be installed in metal/wood stud or masonry walls and concrete floors.
2. Install dampers in accordance with the appropriate damper installation instruction sheet in conjunction with this supplement. Replace conventional two-sided retaining angles with single-sided retaining angles as appropriate. Retaining angles may be installed on either side for vertical partition installations, but must be installed on the top side for a floor installation. Retaining angles must be attached to both the sleeve and the wall or floor.
3. Retaining angles required on all four sides unless installed on top of a concrete floor slab (See Note 6).
4. Single-sided retaining angles shall be a minimum of 1 1/2" x 1 1/2" x 16 ga. (38 x 38 x 1.61) steel for metal stud, masonry walls or concrete floors. For wood stud partitions, retaining angles shall be a minimum of 2" x 1 1/2" x 16 ga. (51 x 38 x 1.61) steel. For metal stud partitions only, the single-side retaining angle may be directly attached to the metal stud prior to the installation of the drywall. See Detail 1B.
5. Attach the 1 1/2" (38) leg of the retaining angles to the damper sleeve using 1/2" (13) long welds, 1/4" (6) diameter bolts and nuts, 3/16" (5) diameter steel rivets or #8 sheet metal screws, 6" (152) o.c.. Secure the retaining angles to the structural members of a vertical drywall wall using drywall screws. In the case of wood stud construction (see Figure 2), the screws should be a minimum of 2 1/2" (64) long, with minimum 1 1/4" (32) penetration into framing. In the case of masonry walls or concrete floors (see Figure 3), use 1/4" (6) masonry anchors 1 1/2" (38) minimum length, with minimum 1 1/4" (32) penetration into wall or floor. All fasteners to be on a maximum of 12" (305) o.c. with a minimum of two fasteners per side, top, and bottom.
6. In the case where the damper sits directly on a concrete floor slab, the bottom retaining angle is not required if the damper sleeve is fastened directly to the slab using 1/4" (6) masonry anchors 1 1/2" (38) minimum length, with minimum 1 1/4" (32) penetration into the floor. All fasteners to be on a maximum of 12" (305) o.c. with a minimum of 2 fasteners (See Figure 4).

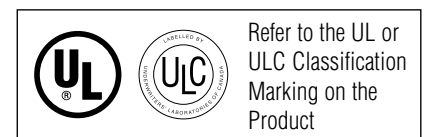
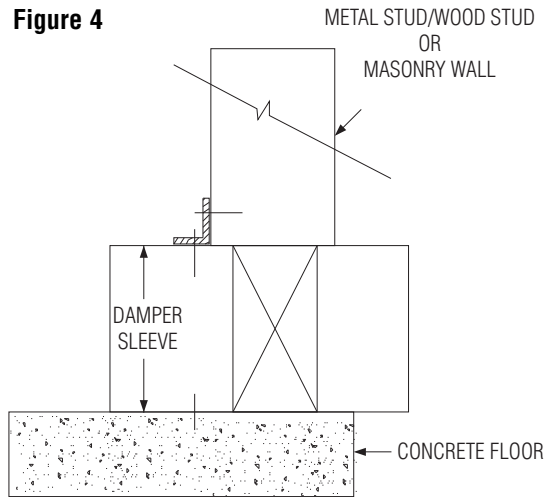


Figure 4



7. No firestop caulking is required on this product.

Underwriters' Laboratories file # R9492.
Also conforms to NFPA 90A and NFPA 92.
Maximum sizes: 96" W x 36" H (2438 x 914) or
36" W x 96" H (914 x 2438).

NOTES:

1. These details are based upon tests conducted by the Gypsum Association. Consult the local authority having jurisdiction for other acceptable framing methods.
2. Frame wall openings as shown in Figure 1 or 2.
3. Gypsum panels must be screwed to all stud and runner flanges, 12" (305) max. o.c. surrounding opening.
4. All fasteners to be per UL/ULC Classified wall design.
5. UL/ULC wood stud designs require gypsum wallboard filler pieces to be installed around entire opening, screwed 12" (305) o.c. to web of runners and studs, covering all wood stud surfaces.
 In UL metal stud designs, exposed steel surfaces need not be covered with gypsum wallboard. ULC metal stud construction however may still require filler pieces, check with the local authorities.
6. Refer to standard installation instructions sheet for additional details.

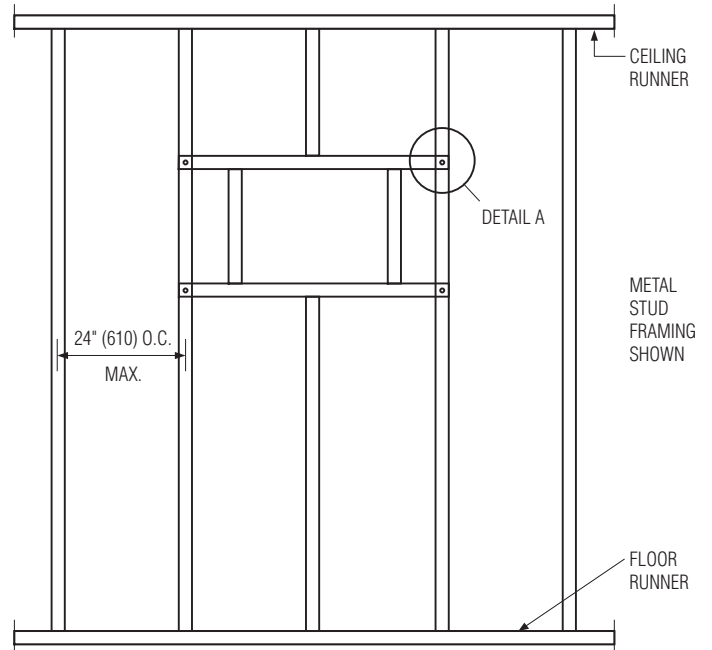


FIGURE 1. SINGLE VERTICAL STUD OPENING PREPARATION DETAILS.
 DAMPERS UP TO 36" x 36" (914 x 914).

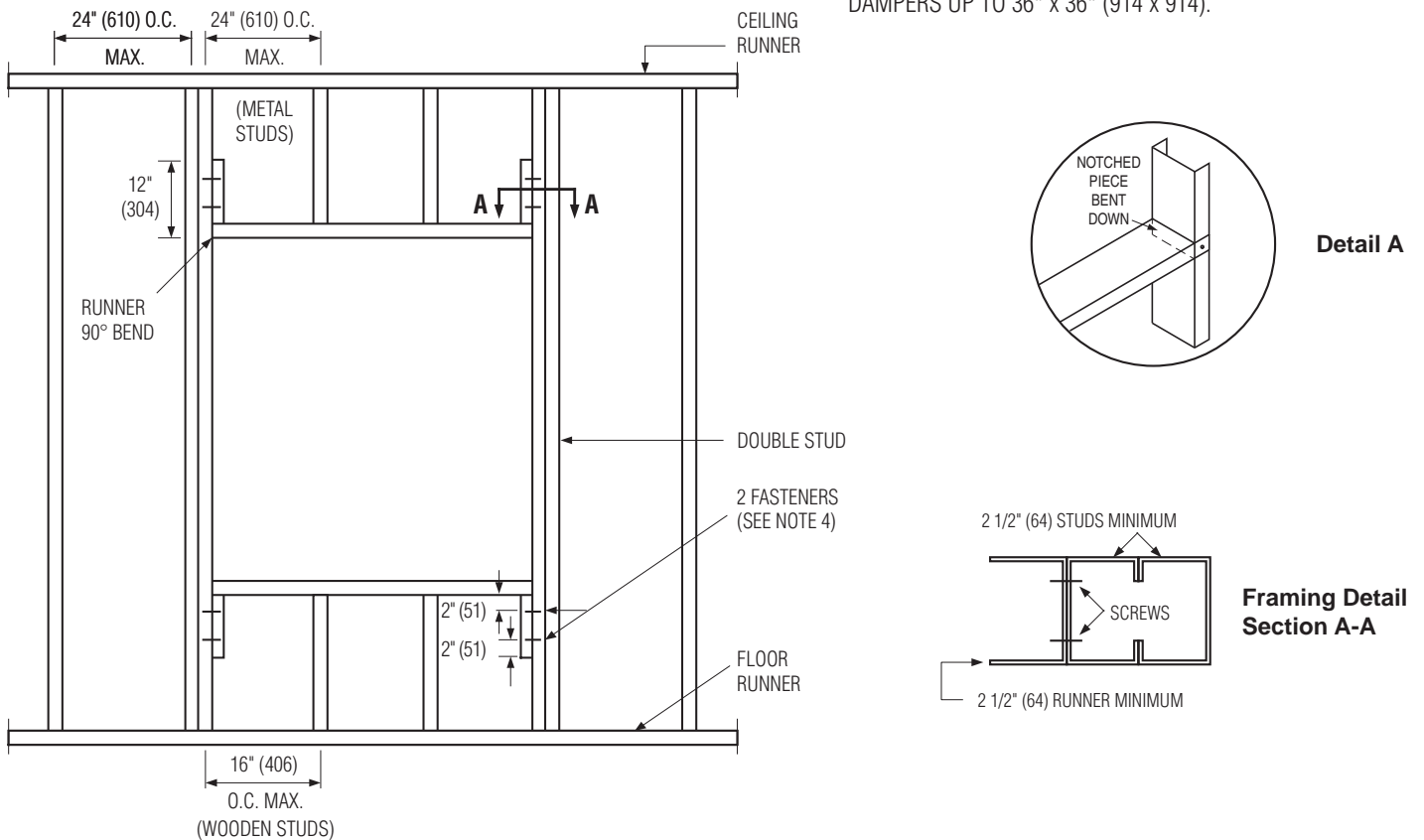
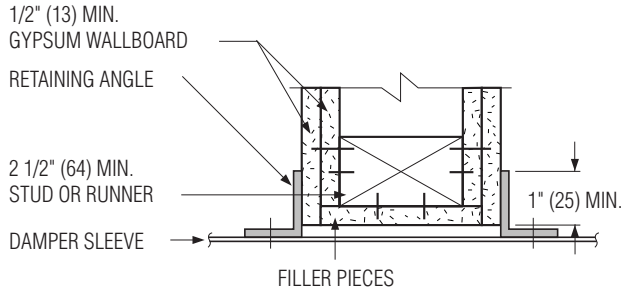


FIGURE 2. DOUBLE VERTICAL STUD OPENING PREPARATION DETAILS.
 DAMPERS OVER 36" x 36" (914 x 914).

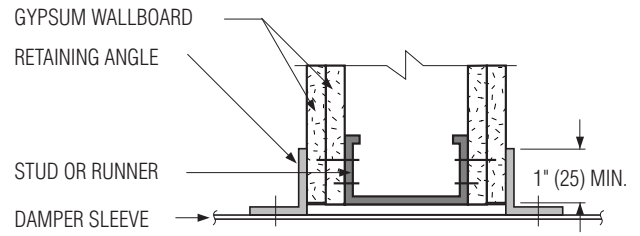
TYPICAL STUD WALL DETAILS (See Notes on Page 1)

WOOD STUD DETAIL

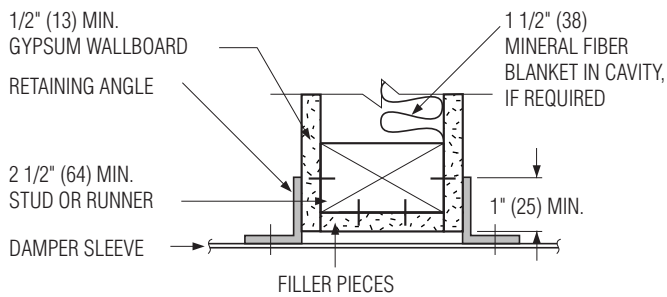


2 Hour Partition Rating

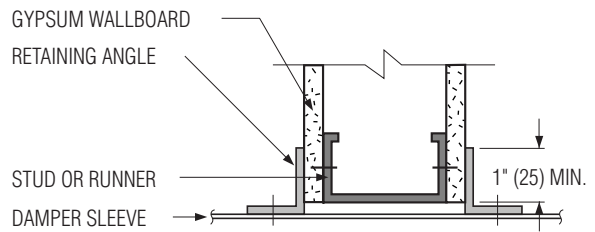
METAL STUD DETAIL (UL DESIGN)



2 Hour Partition Rating



1 Hour Partition Rating



1 Hour Partition Rating

Dimensions are in inches (mm).

Page 2 of 2

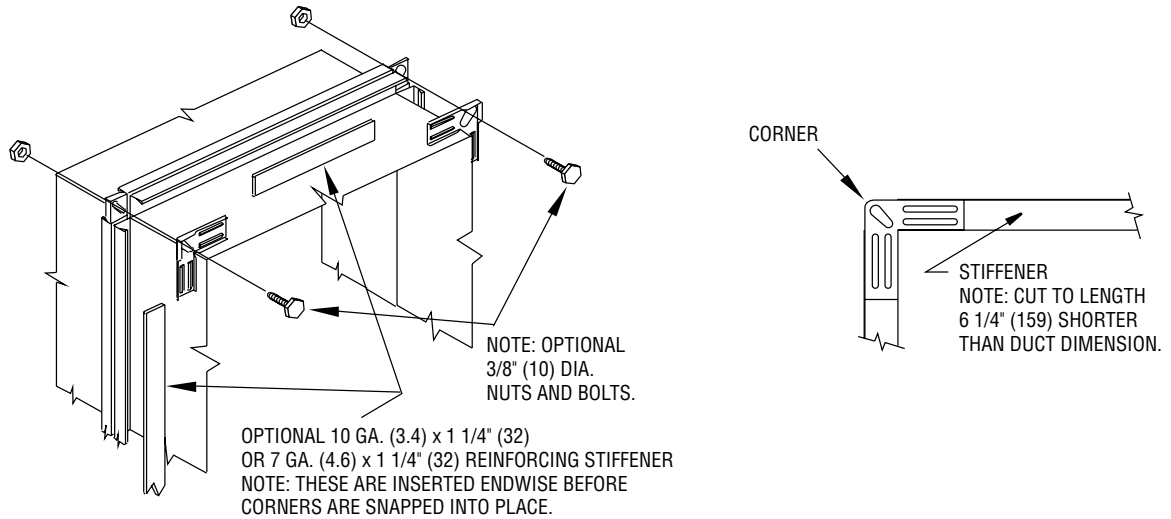


Houston, Texas
Tel: 281-590-1172
Fax: 281-590-3086

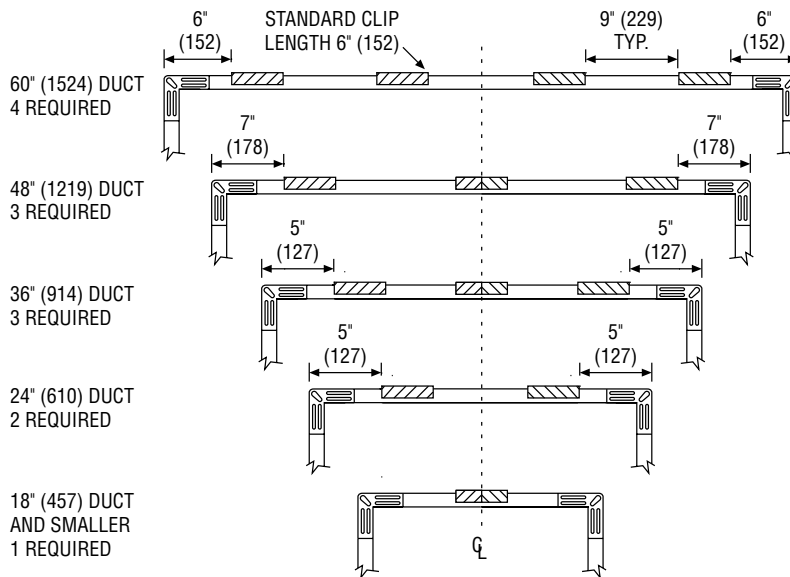
Las Vegas, Nevada
Tel: 702-648-5400
Fax: 702-638-0400

Toronto, Canada
Tel: 416-744-3300
Fax: 416-744-3360

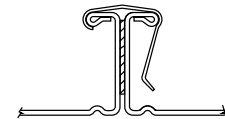
Calgary, Canada
Tel: 403-279-8619
Fax: 403-279-5035



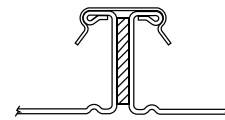
RECOMMENDED CLIP SPACING



CLEAT DETAILS



TDC CROSS SECTION



TDF CROSS SECTION

Damper Type	Max. Size W x H		No. Cleats Per Side
	(inches)	(mm)	
Curtain	18 x 18	457 x 457	1
	24 x 24	610 x 610	2
	48 x 48	1219 x 1219	3
	60 x 60	1524 x 1524	4
Multi-Blade	18 x 18	457 x 457	1
	24 x 24	610 x 610	2
	36 x 48	914 x 1219	3

APPLICATION:

TDC (by Lockformer) and TDF (by Engle) are approved as breakaway connections for joining the fire damper sleeve and the duct. The slip joints shown in standard installation instructions for curtain type fire dampers, multi-blade fire dampers and combination fire/smoke dampers may be replaced by one of these systems.

INSTALLATION:

TDC and TDF roll-formed 4-bolt flanged connections assembled per the manufacturers instructions using gaskets, metal cleats 6" (152) long with spacing as shown and four 3/8" (9.5) metal nuts and bolts. See also the TDC or TDF addendum to the SMACNA Duct Construction Standards.



Houston, Texas
Tel: 281-590-1172
Fax: 281-590-3086

Ft. Lauderdale, Florida
Tel: 954-351-2444
Fax: 954-351-2440

Toronto, Canada
Tel: 416-744-3300
Fax: 416-744-3360

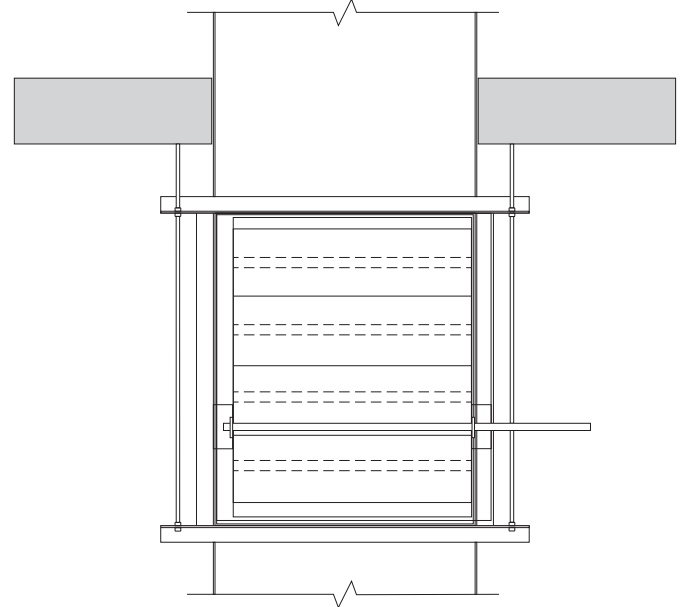
Calgary, Canada
Tel: 403-279-8619
Fax: 403-279-5035

These instructions are for installing vertical mount fire and combination fire smoke dampers in a fire resistant ventilation duct (UL Ventilation duct Assembly HNLN.V-5).



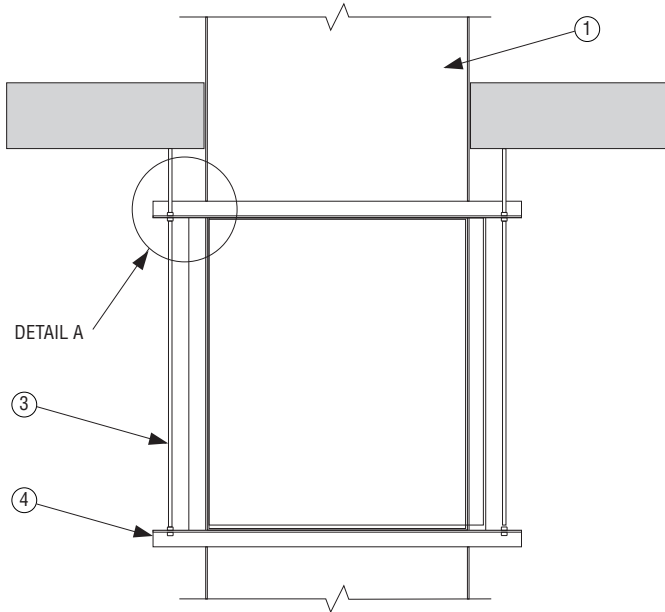
NOTES:

1. The damper sleeve must slip inside the fire resistant duct spool. Damper sleeve assembly will be 1/4" (6), 1/2" (13) maximum, smaller than duct spool size.
2. Damper is to be supplied with factory mounted sleeve. Sleeve gauge will be minimum of 16 ga. (1.5) for dampers up to 36" wide x 24" high (914 x 610) and 14 ga. (2) for dampers exceeding 36" wide x 24" high (914 x 610).
3. Mounting angles need to be the following sizes:
 - 1 1/2" x 1 1/2" x 1/4" up to 24" (38 x 38 x 6 up to 610)
 - 2" x 2" x 1/4" over 24" up to 32" (51 x 51 x 6 over 610 up to 813)
 - 2 1/2" x 2 1/2" x 1/4" over 32" up to 40" (64 x 64 x 6 over 813 up to 1016)
 - 3" x 3" x 1/4" above 40" (76 x 76 x 6 above 1016)
4. Mounting angle fasteners:
 - #10 bolts or screws
 - 3/16" (4.7) steel rivets
 - 1/2" (13) long welds
5. Mounting Angle Fasteners Spacing:
 - Mounting angles to dampers, space fasteners on 6" (152) on center.
 - Mounting angle to spool flange, space fasteners on 12" (305) on center.
 - Minimum 2 fasteners per side
6. Hanger rods:
 - 3/8" (10) threaded rod anchored to the floor above and attached to the mounting angles through hole in the angles and secured with hex nut and washer (items 5 & 6). Anchor to masonry per assembly No. V-5.
7. Duct to Damper Sleeve Connection:
 - See the fire damper or the combination fire smoke installation instructions for breakaway, flanged, or non-breakaway connections.

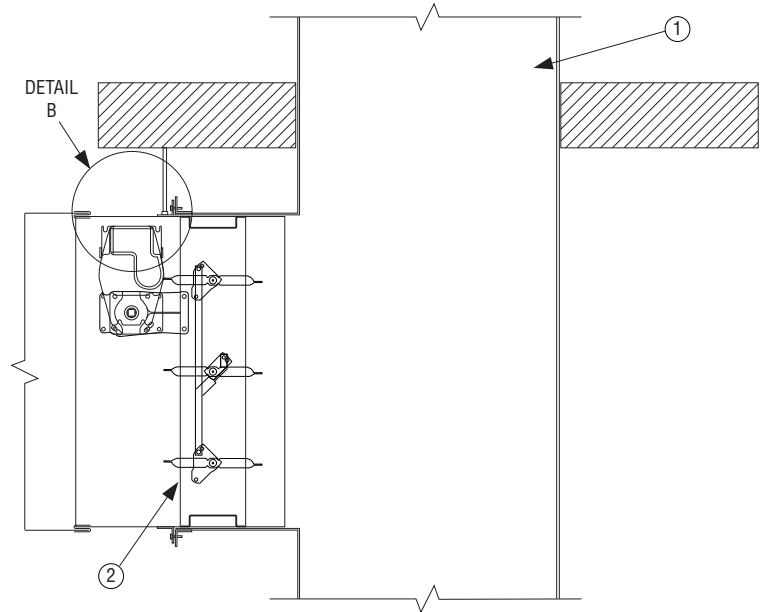


END VIEW

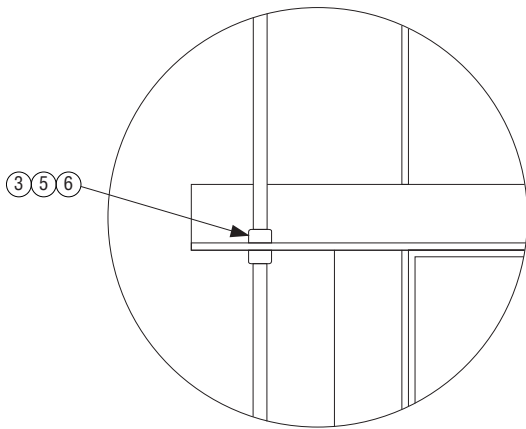
Item	Description
1	Fire Resistant Ventilation Duct (UL HNLN Assembly No. V-5)
2	Fire Damper or Combination Fire/Smoke Damper
3	Hanger rods in accordance with assembly No. V-5
4	Mounting angles (see instruction #3)
5	3/8" (10) hex nuts
6	3/8" (10) flat washer
7	Mounting angle fasteners (see instruction #4)



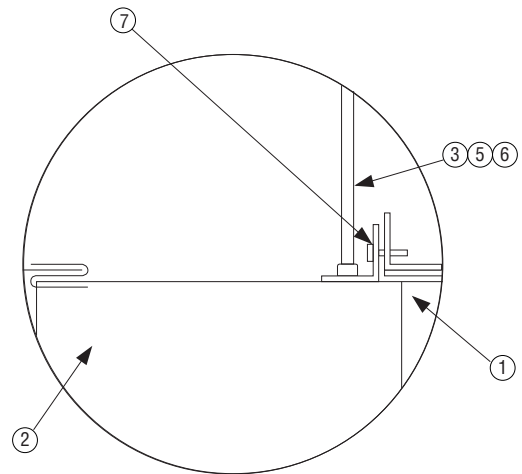
END VIEW



SIDE VIEW



DETAIL A



DETAIL B

Dimensions are in inches (mm).

Page 2 of 2



Houston, Texas
Tel: 281-590-1172
Fax: 281-590-3086

Las Vegas, Nevada
Tel: 702-648-5400
Fax: 702-638-0400

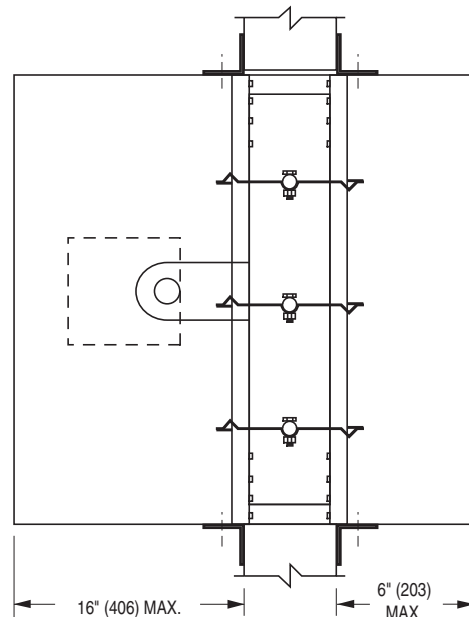
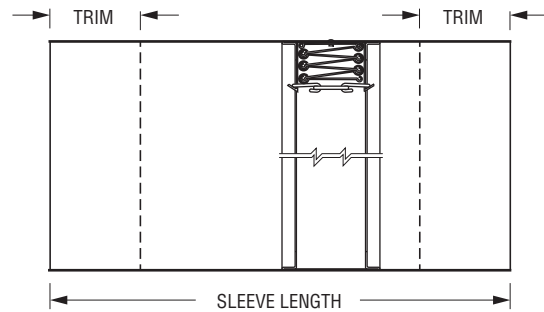
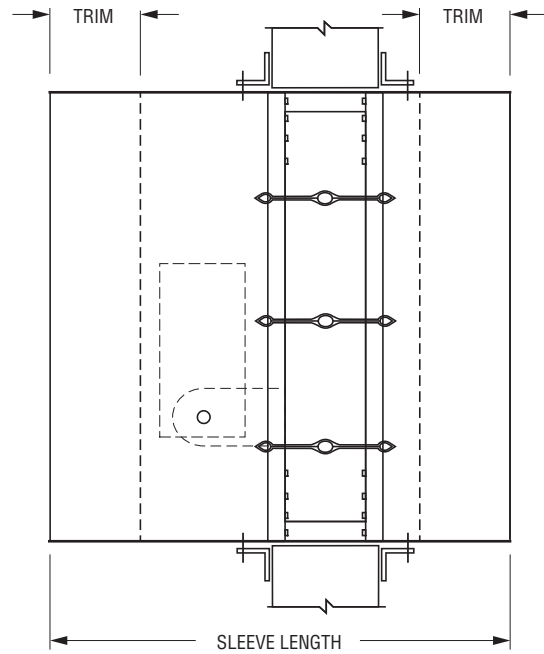
Toronto, Canada
Tel: 416-744-3300
Fax: 416-744-3360

Calgary, Canada
Tel: 403-279-8619
Fax: 403-279-5035

Trimming of factory-supplied sleeves may be necessary to accommodate field conditions or applications. Other damper components such as actuators and fuse links should not be altered.

NOTES:

- 1. Sleeve Length on Non-actuator side:** 6" (152) maximum sleeve length beyond fire-rated barrier on non-actuator side.
- 2. Sleeve Length on Actuator side:** 16" (406) maximum sleeve length beyond fire-rated barrier on actuator side.



Dimensions are in inches (mm).



Houston, Texas
Tel: 281-590-1172
Fax: 281-590-3086

Las Vegas, Nevada
Tel: 702-648-5400
Fax: 702-638-0400

Toronto, Canada
Tel: 416-744-3300
Fax: 416-744-3360

Calgary, Canada
Tel: 403-279-8619
Fax: 403-279-5035