



**DYNAMIC INTEGRAL SLEEVE FIRE DAMPERS**  
**HYBRID • 1 1/2 HR. LABEL**  
**VERTICAL MOUNT**  
**FOR USE IN DYNAMIC OR STATIC SYSTEMS**  
**MODELS: D0114HY, D0124HY AND D0134HY**



**QUALIFICATIONS:**

- UL 555 & CAN/ULC-S112 CLASSIFIED FIRE DAMPER. 1 1/2 hr. label (File # R9492).
- Meets all the requirements of UL and NFPA 80, 90A and 101 for fire dampers in dynamic HVAC systems, as well as IBC and NBC (Canada) Building Code requirements.
- City of New York Board of Standards and Appeals. Cal. No. 460-88-SA.
- California State Fire Marshal: Fire Damper Listing No. 3225-0935:0113.
- Maximum velocity: 2000 fpm @ 4" w.g. (10 m/s @ 1 kPa).

The D0100HY hybrid fire dampers are UL approved for use where local building codes require the protection of HVAC ductwork penetrations in walls and partitions that have a fire resistance rating of up to 2 hours, classified for use in dynamic "fans on" systems where the HVAC system remains operative in the event of a fire. Damper closure under airflow is assured. Integral sleeve fire dampers offer convenience and labor savings. The costly requirement to field or shop fabricate custom sleeves is eliminated and dampers can therefore ship directly from the manufacturer to the job site – saving time and money. Hybrid dampers are utilized when duct sizes are larger than the limitations of standard curtain type fire dampers.

**STANDARD CONSTRUCTION:**

- Integral** Minimum 22 ga. (0.85) roll-formed G60 galvanized steel,  
**Sleeve/Frame:** 5" (127) deep max. frame, 12" (305) long sleeve standard.  
**Blades:** Minimum 22 ga. (0.85) roll-formed G60 galvanized steel.  
**Fusible Link:** 165°F (74°C) standard. UL Listed.  
 212°F (100°C) available.  
**Installation:** Vertical mount model only.

**Sizes (Duct W x H):**

Model Type	Single Section		Multiple Section
	Minimum	Maximum	Maximum
	Vertical	Vertical	Vertical
D0114HY Type A	8" x 25" (203 x 635)	36" x 60" (914 x 1524)	72" x 60" (1829 x 1524)
D0124HY Type B	8" x 22" (203 x 559)	36" x 54" (914 x 1372)	72" x 54" (1829 x 1372)
D0134HY Type CR	22" (559) dia.	34" (864) dia.	53" (1346) dia.
D0134HY Type CO	6" x 22" (152 x 559)	34" x 53" (864 x 1346)	70" x 53" (1778 x 1346)

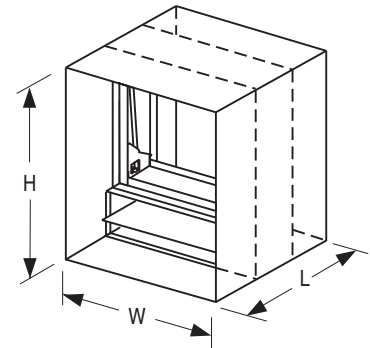
**Note:** For horizontal applications, contact factory.

**OPTIONS:**

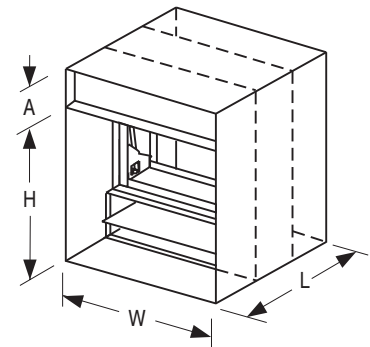
- Non-standard temperature fusible link. Specify \_\_\_\_\_.
- Non-standard sleeve length. Specify \_\_\_\_\_.
- QS1** Quick-set retaining angles (single set).
- QS2** Quick-set retaining angles (pair).
- TDF1** Flange (one end).
- TDF2** Flange (both ends).

**DYNAMIC VELOCITY/PRESSURE RATING:**

- 24** 2000 fpm @ 4" w.g. (Standard)

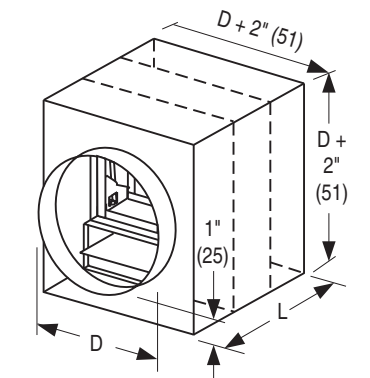


**Model: D0114HY Type A**



**Model: D0124HY Type B**

Duct Height (H)	Dim. 'A'
22" – 25" (559 – 635)	2" (51)
26" – 35" (660 – 889)	3" (76)
36" – 44" (914 – 1118)	4" (102)
45" – 53" (1143 – 1346)	5" (127)
54" (1372)	6" (152)



**Model: D0134HY Type C**

Type CR – Round transition collars (shown)  
 Type CO – Oval transition collars

<b>SCHEDULE TYPE:</b>
<b>PROJECT:</b>
<b>ENGINEER:</b>
<b>CONTRACTOR:</b>

For installation instructions, see IOM-FDHYINST.  
 Dimensions are in inches (mm).

DATE	B SERIES	SUPERSEDES	DRAWING NO.
1 - 20 - 22R	FD	12 - 3 - 14	D0100HY

**"QUICK-SET" RETAINING ANGLES BOTH SIMPLIFY AND SPEED INSTALLATION,  
 SAVING BOTH TIME AND MONEY.**

**BENEFITS:**

- One piece angles are fastened together in the corners. Only two sets of angles to handle per damper (rather than four separate angles per side).
- Angles are shipped with damper - no sorting or matching.
- Provided with pre-drilled fastening holes on 2" (51) centers to ensure correct angle/sleeve attachment.
- Factory fabricated by Nailor to suit the individual fire damper.
- Reduced cost when compared to conventional retaining angles.
- Dampers can ship directly to the job site complete with all necessary installation sheet metal hardware (saves on double handling at contractor's shop).
- Help ensure a correct installation as per U.L. approved installation instructions.

The majority of installing contractors view fire damper installation as a costly time consuming and troublesome procedure. Eight conventional angles must be custom fabricated for each damper either in a sheet metal shop or at the job site and sized to suit each individual damper. Invariably, they are mislaid or lost and must be matched to each factory supplied damper.

The Nailor "Quick-Set" solution solves the majority of problems. They are pre-formed to fit and ship with the individual damper for ultimate convenience. "Quick-Set" angles are supplied with correctly spaced pre-drilled screw-holes to ensure a quick, easy and accurate installation for all integral sleeve Nailor fire and combination fire/smoke dampers - no measuring required.

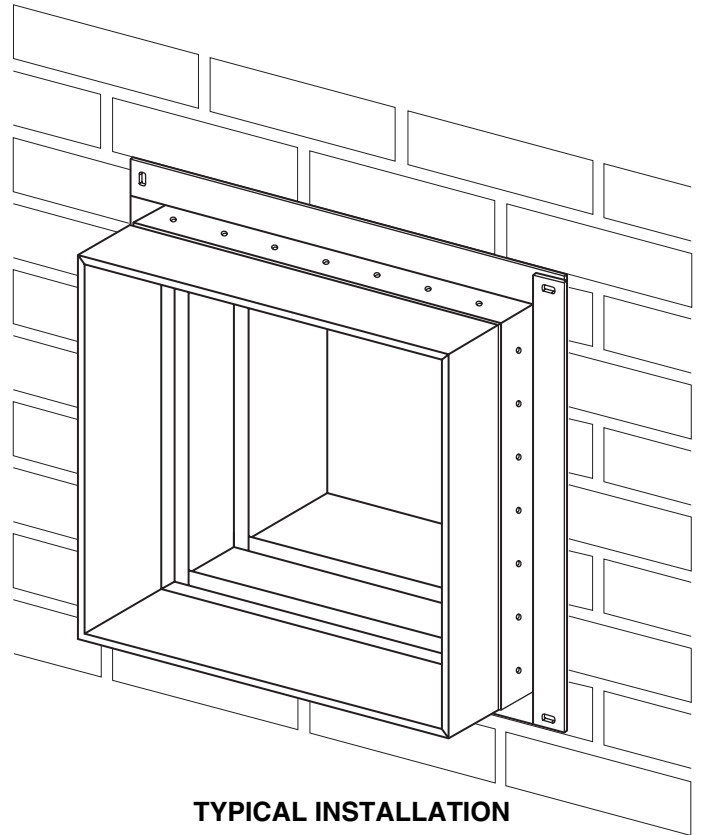
"Quick-Set" retaining angles provide the "complete" installation package. Simple, fast, convenient.

**MODELS:**

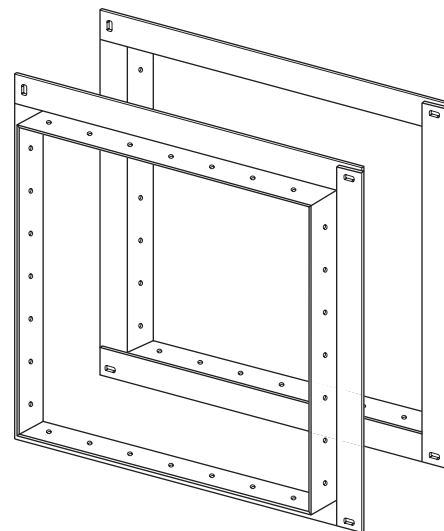
Nailor "Quick-Set" retaining angles are an accessory option for all dampers ordered with factory sleeves.

**QS2:** Two sides (pair). For standard installations where angles are installed on both sides of the fire partition.

**QS1:** One side (single set). For use in single side retaining angle installations and with grille mount and "out of wall" damper models.



**TYPICAL INSTALLATION**



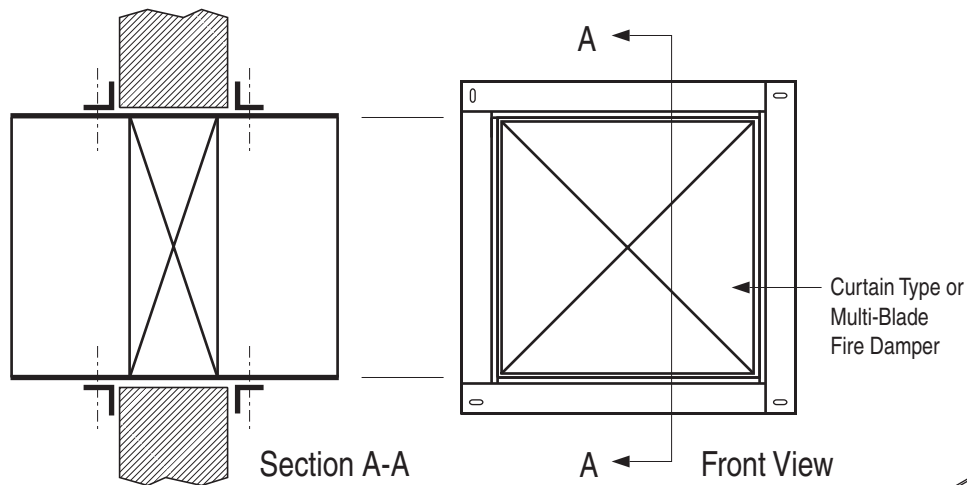
**TYPICAL PAIR OF PRE-ASSEMBLED  
 QUICK-SET' RETAINING ANGLES**



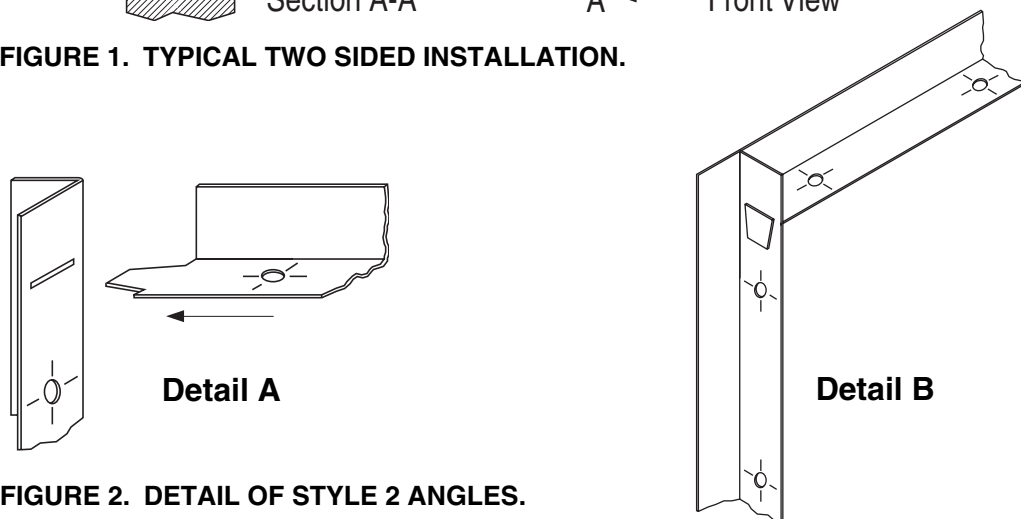
<b>SCHEDULE TYPE:</b>
<b>PROJECT:</b>
<b>ENGINEER:</b>
<b>CONTRACTOR:</b>

Page 1 of 2  
 Dimensions are in inches (mm).

DATE	B SERIES	SUPERSEDES	DRAWING NO.
2 - 26 - 09	FD-ACC	6 - 5 - 03	QSRA



**FIGURE 1. TYPICAL TWO SIDED INSTALLATION.**



**FIGURE 2. DETAIL OF STYLE 2 ANGLES.**

**APPLICATION:**

The Nailor Quick-Set Retaining Angle System may be used in lieu of conventional retaining angles on all Nailor Fire and Combination Fire/Smoke Dampers.

Quick-Set angles are supplied in one of two styles, dependent upon fire resistance label, damper size and installation method.

**Style 1:** 1 1/2" x 1 1/2" x 20 ga. (38 x 38 x 1.0) Four sides are connected together with rivets in three corners.

Standard for the majority of applications with the following limitations:

- 1 1/2 hour label fire dampers.
- Maximum Size: 36" x 36" (914 x 914)
- Two sided installation only

**Style 2:** 1 1/2" x 1 1/2" x 16 ga. (38 x 38 x 1.6) Slot and tab design. The retaining angle assembly for each side has four angles, each with a tab end and a slot end (Detail A).

The tabs are to be inserted into the slots and knocked down either before or after fastening to the sleeve (Detail B).

- 1 1/2 or 3 hour label fire dampers
- Maximum Size: 90" x 48" (2286 x 1219) or 48" x 90" (1219 x 2286)
- Single side (1 1/2 hour only. Refer to Single Side Retaining Angles Supplementary Installation Instructions for size limitations) or two sided installation

**Refer to the Following Installation Instructions:**

Quick-Set Retaining Angles	FDQSRA
Curtain Type Fire Dampers (D)0100 & (D)0500	FDINST
Curtain Type Fire Dampers 0200 & 0500 Thinline	FDTINST
Multi-Blade Fire Dampers 1200 & 1250	MBFDINST
Combination Fire/Smoke Dampers 1220	1220INST
Combination Fire/Smoke Dampers 1270	1270INST
Single Side Retaining Angles	FDSSRAINST

<b>SCHEDULE TYPE:</b>		Page 2 of 2			
<b>PROJECT:</b>		Dimensions are in inches (mm).			
<b>ENGINEER:</b>		<b>DATE</b>	<b>B SERIES</b>	<b>SUPERSEDES</b>	<b>DRAWING NO.</b>
<b>CONTRACTOR:</b>		2 - 26 - 09	FD-ACC	5 - 5 - 03	QSRA