



**CEILING RADIATION DAMPER WITH TOP EXTENSION AND ADJUSTABLE VOLUME CONTROL • ROUND MODELS: 0722A-SE AND 0722A-LE**



**QUALIFICATIONS:**

- **UL 555C CLASSIFIED CEILING DAMPER (File # R9660).**
- **CAN4-S112.2 Ceiling Firestop Flap Assemblies.**
- **Meets the requirements for NFPA 90A, IBC, NBC (Canada) and associated local building codes.**
- **City of New York Board of Standards and Appeals. Cal. No. 460-88-SA.**
- **California State Fire Marshal: Fire Damper Listing No. 3225-0935:0102.**

**MODEL SELECTION:**

- 0722A-SE** Short extension
- 0722A-LE** Long extension

**DESCRIPTION:**

Ceiling dampers, or ceiling radiation dampers (known as Fire Stop Flaps in Canada), are designed to function as a fire and heat barrier in air duct openings penetrating fire resistive membrane ceilings. Models 0722A-SE and 0722A-LE are for use in round applications, in lieu of hinged door type dampers in any UL/ULC floor/ceiling or roof/ceiling assembly with up to a 3 hour fire resistance rating where air ducts are allowed. The extension collar on Models 0722A-SE and 0722A-LE minimizes the risk of interference with blade closure in flexible duct installations and helps ensure even airflow into the diffuser neck for optimum performance. These models incorporate a mechanism to adjust the opening of the blades for balancing airflow through the ceiling diffuser.

**STANDARD CONSTRUCTION:**

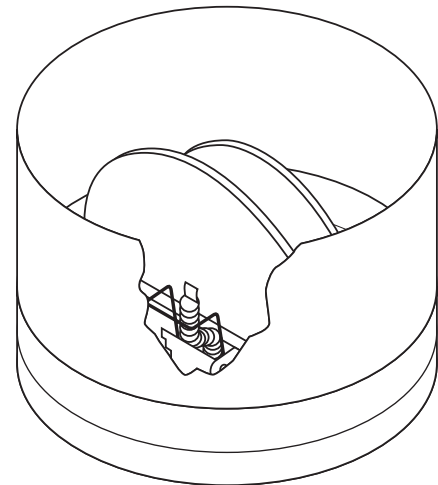
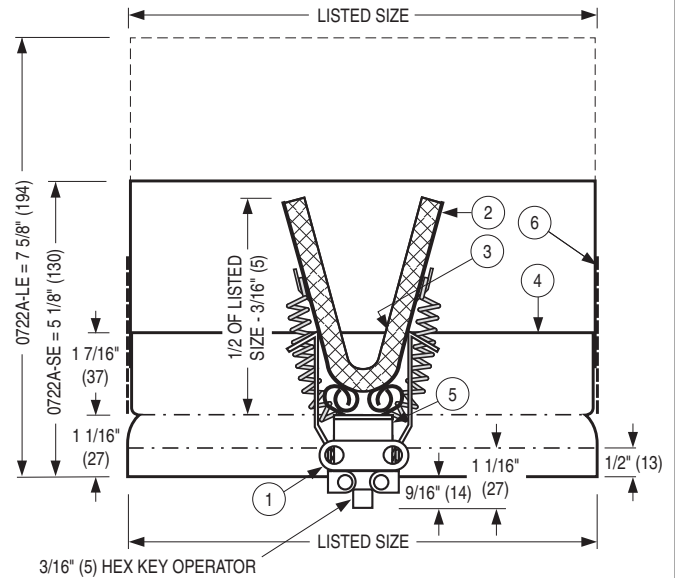
- Fusible Link:** UL Listed, 212°F (100°C), standard.
- Blades:** 22 ga. (0.85) G60 galvanized steel.
- Insulation:** Non-asbestos UL Classified on units 12 in. (305) dia. and larger. Not required on smaller units.
- Frame:** Roll-formed 22 ga. (0.85) G60 galvanized steel.
- Vol. Control:** Adjustable fusible link assembly permits volume control.
- Duct Drop:** By others.

**Models 0722A-SE and 0722A-LE Sizes (Duct Dia.):**

| Minimum       | Maximum        |
|---------------|----------------|
| 5" (127) dia. | 16" (406) dia. |

**OPTION:**

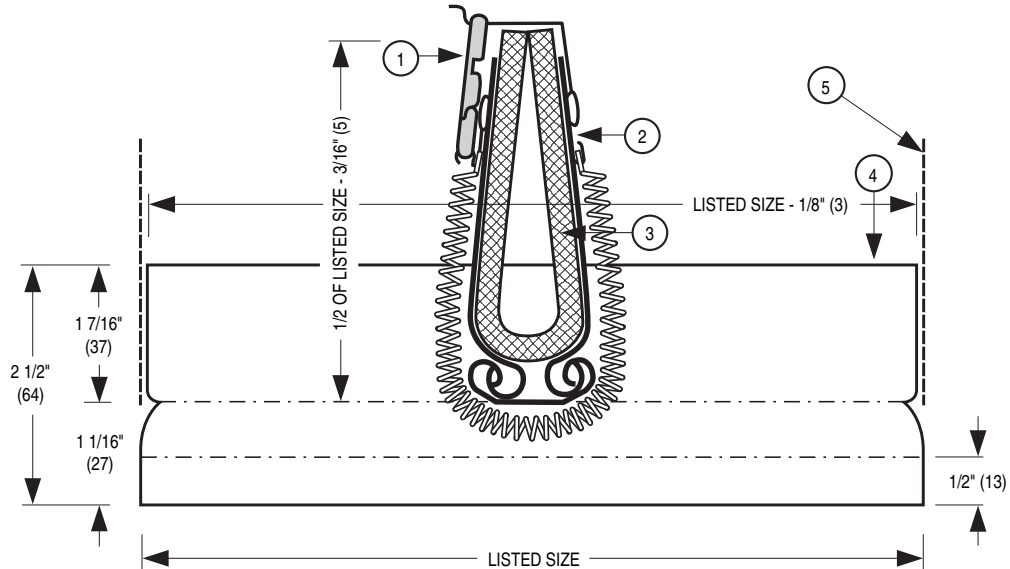
- Non-standard temperature U.L. Listed fusible link.
  - 165** 165°F (74°C)



For installation instructions, see IOM-CRDSINST and IOM-CRDTBINST.

Dimensions are in inches (mm).

|                       |             |                 |                   |                    |
|-----------------------|-------------|-----------------|-------------------|--------------------|
| <b>SCHEDULE TYPE:</b> |             |                 |                   |                    |
| <b>PROJECT:</b>       |             |                 |                   |                    |
| <b>ENGINEER:</b>      | <b>DATE</b> | <b>B SERIES</b> | <b>SUPERSEDES</b> | <b>DRAWING NO.</b> |
| <b>CONTRACTOR:</b>    | 4 - 28 - 14 | 0700            | 11 - 8 - 04R      | 0700-10            |



**QUALIFICATIONS:**

- UL 555C CLASSIFIED CEILING DAMPER (File # R9660).
- CAN4-S112.2 Ceiling Firestop Flap Assemblies.
- Meets the requirements for NFPA 90A, IBC, NBC (Canada) and associated local building codes.
- City of New York Board of Standards and Appeals. Cal. No. 460-88-SA.
- California State Fire Marshal: Fire Damper Listing No. 3225-0935:0102.

**DESCRIPTION:**

Ceiling dampers, or ceiling radiation dampers (known as Fire Stop Flaps in Canada), are designed to function as a fire and heat barrier in air duct openings penetrating fire resistive membrane ceilings. Model 0722 is for use in round applications, in lieu of hinged door type dampers in any UL/ULC floor/ceiling or roof/ceiling assembly with up to a 3 hour fire resistance rating where air ducts are allowed.

**STANDARD CONSTRUCTION:**

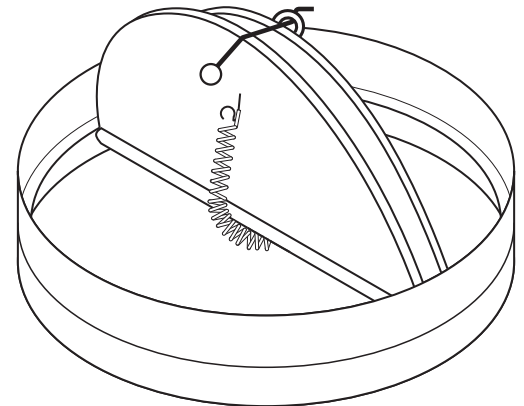
1. **Fusible Link:** UL Listed, 212°F (100°C), standard.
2. **Blades:** 22 ga. (0.85) G60 galvanized steel.
3. **Insulation:** Non-asbestos UL Classified on units over 80 sq. in. (516 sq. cm) finished size, standard. Not required on smaller units.
4. **Frame:** Roll-formed 22 ga. (0.85) G60 galvanized steel.
5. **Duct Drop:** By others.

**Model 0722 Sizes (Duct Dia.):**

| Minimum       | Maximum        |
|---------------|----------------|
| 4" (102) dia. | 24" (610) dia. |

**OPTION:**

1. Non-standard temperature U.L. Listed fusible link.
  - 165 165°F (74°C)



For installation instructions, see IOM-CRDSINST and IOM-CRDTBINST.

Dimensions are in inches (mm).

|                       |             |                 |                   |                    |
|-----------------------|-------------|-----------------|-------------------|--------------------|
| <b>SCHEDULE TYPE:</b> |             |                 |                   |                    |
| <b>PROJECT:</b>       |             |                 |                   |                    |
| <b>ENGINEER:</b>      | <b>DATE</b> | <b>B SERIES</b> | <b>SUPERSEDES</b> | <b>DRAWING NO.</b> |
| <b>CONTRACTOR:</b>    | 2 - 1 - 17  | 0700            | 4 - 28 - 14       | 0700-7             |

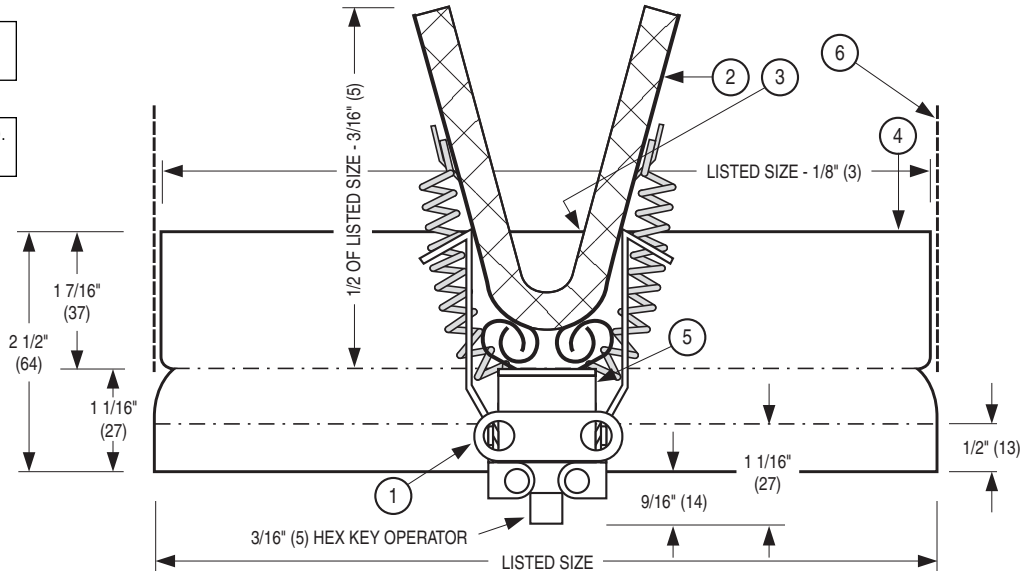


**CEILING RADIATION DAMPER  
WITH ADJUSTABLE VOLUME  
CONTROL • ROUND  
MODEL: 0722A**



U.S. Patent No.  
4,936,287

Canadian Patent No.  
2,014,587-1



**QUALIFICATIONS:**

- UL 555C CLASSIFIED CEILING DAMPER (File # R9660).
- CAN4/ULC-S112.2 Ceiling Firestop Flap Assemblies.
- Meets the requirements NFPA 90A as well as IBC, NBC (Canada) and associated local building codes.
- City of New York Board of Standards and Appeals. Cal. No. 460-88-SA.
- California State Fire Marshal: Ceiling Damper Listing No. 3226-0935:0102.

**DESCRIPTION:**

Ceiling dampers (known as Fire Stop Flaps in Canada) are designed to function as a fire and heat barrier in air handling openings penetrating fire resistive membrane ceilings. The 0700 Series is for use in lieu of hinged door type dampers in any UL/ULC floor/ceiling or roof/ceiling assembly where air handling openings are permitted with up to a 3 hour fire resistance rating. The Model 0722A incorporates a mechanism to adjust the opening of the blades for balancing airflow through the ceiling diffusers.

**STANDARD CONSTRUCTION:**

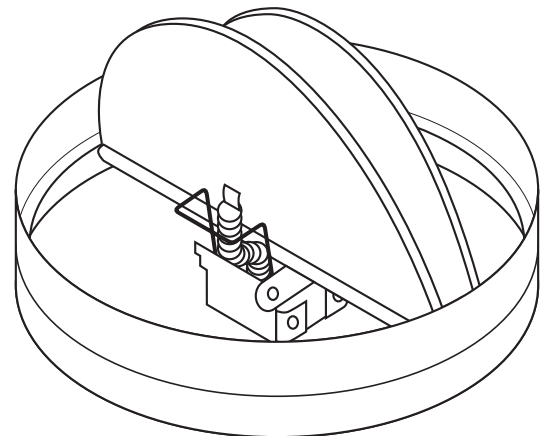
1. **Fusible Link:** UL Listed, 212°F (100°C), standard.
2. **Blades:** 22 ga. (0.85) G60 galvanized steel.
3. **Insulation:** Non-asbestos UL Classified on units 12 in. (305) dia. and larger, standard. Not required on smaller units.
4. **Frame:** Roll-formed 22 ga. (0.85) G60 galvanized steel.
5. **Duct Drop:** By others.

**Model 0722A Sizes (Duct Dia.):**

| Minimum       | Maximum        |
|---------------|----------------|
| 5" (127) dia. | 16" (406) dia. |

**OPTION:**

1. Non-standard temperature U.L. Listed fusible link.
  - 165 165°F (74°C)



For installation instructions, see IOM-CRDSINST and IOM-CRDTBINST.

Dimensions are in inches (mm).

**SCHEDULE TYPE:**

**PROJECT:**

**ENGINEER:**

**CONTRACTOR:**

DATE

B SERIES

SUPERSEDES

DRAWING NO.

4 - 28 - 14

0700

11 - 1 - 04R

0700-8



**CEILING RADIATION DAMPER WITH TOP EXTENSION**  
**ROUND**  
**MODELS: 0722-SE AND 0722-LE**



**QUALIFICATIONS:**

- **UL 555C CLASSIFIED CEILING DAMPER** (File # R9660).
- **CAN4-S112.2 Ceiling Firestop Flap Assemblies.**
- **Meets the requirements for NFPA 90A, IBC, NBC (Canada) and associated local building codes.**
- **City of New York Board of Standards and Appeals. Cal. No. 460-88-SA.**
- **California State Fire Marshal: Fire Damper Listing No. 3225-0935:0102.**

**MODEL SELECTION:**

- 0722-SE** Short extension
- 0722-LE** Long extension

**DESCRIPTION:**

Ceiling dampers (known as Fire Stop Flaps in Canada) are designed to function as a fire and heat barrier in air handling openings penetrating fire resistive membrane ceilings. The 0700 Series is for use in lieu of hinged door type dampers in any UL/ULC floor/ceiling or roof/ceiling assembly with up to a 3 hour fire resistance rating where air handling openings are permitted. The extension collar on Models 0722-SE and 0722-LE minimizes the risk of interference with blade closure in flexible duct installations and helps ensure even airflow into the diffuser next for optimum performance.

**STANDARD CONSTRUCTION:**

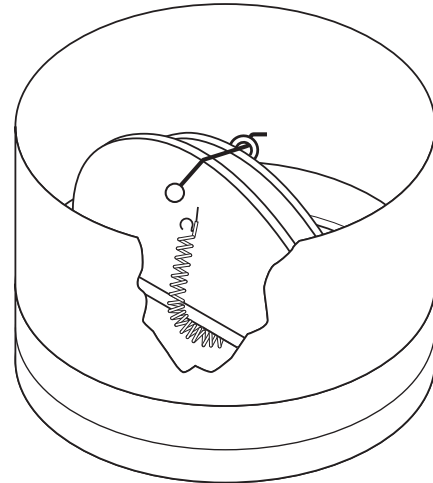
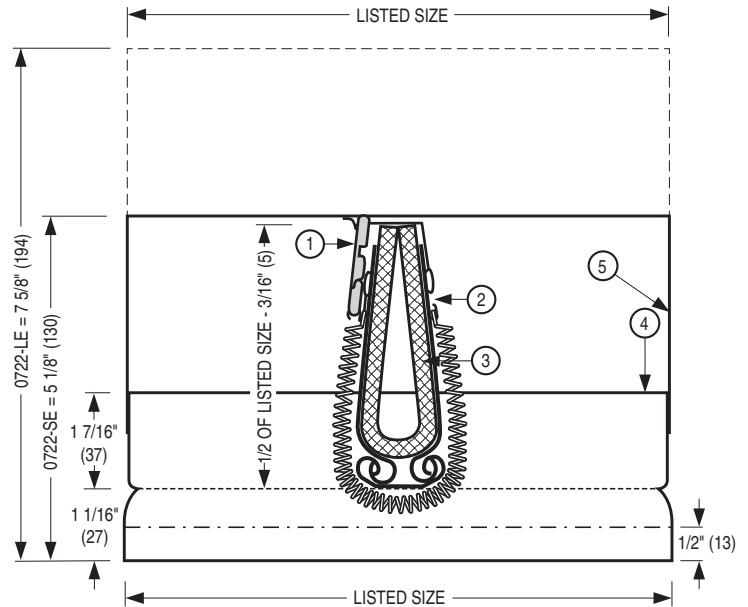
- Fusible Link:** UL Listed, 212°F (100°C), standard.
- Blades:** 22 ga. (0.85) G60 galvanized steel.
- Insulation:** Non-asbestos UL Classified on units 12 in. (305) dia. and larger. Not required on smaller units.
- Frame:** Roll-formed 22 ga. (0.85) G60 galvanized steel.
- Top Extension**

**Models 0722-SE and 0722-LE Sizes (Duct Dia.):**

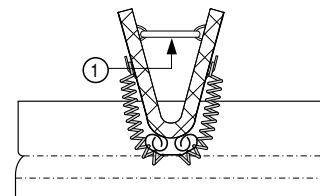
| Minimum       | Maximum        |
|---------------|----------------|
| 4" (102) dia. | 24" (610) dia. |

**OPTION:**

- Non-standard temperature U.L. Listed fusible link.
  - 165** 165°F (74°C)



UNIT SIZE 4" (102) DIA. ONLY.



For installation instructions, see IOM-CRDSINST and IOM-CRDTBINST.

Dimensions are in inches (mm).

|                       |             |                 |                   |                    |
|-----------------------|-------------|-----------------|-------------------|--------------------|
| <b>SCHEDULE TYPE:</b> |             |                 |                   |                    |
| <b>PROJECT:</b>       |             |                 |                   |                    |
| <b>ENGINEER:</b>      | <b>DATE</b> | <b>B SERIES</b> | <b>SUPERSEDES</b> | <b>DRAWING NO.</b> |
| <b>CONTRACTOR:</b>    | 4 - 28 - 14 | 0700            | 11 - 8 - 04R      | 0700-9             |

The NFPA recommends that ceiling radiation dampers be tested periodically.

These dampers are an essential part of the fire protection system in a building. Owners should develop a greater awareness of the life and property protecting abilities of these systems and establish a planned maintenance schedule. Failure to maintain proper conditions of cleanliness in air duct systems and carelessness with repair operations have been important contributing causes of several fires that have involved air conditioning systems. The following recommendations apply, in general, to year round operation of the system; systems operating only part of the year should be given a thorough general checkup before starting operation and again after shutting down.

The maintenance interval will vary widely depending on duration of system operation, condition of fresh air, amount of dust in return air, and other factors. The intervals given are intended to be maximum and should be shortened if system conditions warrant. Consult your local building code to verify whether there is a required maintenance schedule.

1. Each damper should be inspected at least every two years to see that it is not rusted or blocked by an obstruction of any kind, which could interfere with the operation of the blades. Clean off any dirt build-up on blades and frame.
2. Ceiling radiation dampers generally do not require lubrication, but hinges and, if applicable, adjustable fusible link adjustment screw and mechanism may be lubricated with a dry lubricant (such as T.F.E. Dry Lube) if necessary. Never use a regular lubricating oil on dampers, as it will attract dirt and grit.
3. Disconnect fusible link and release blades to verify that they fully close. Caution should be exercised with spring loaded dampers in order to avoid physical injury. Reset blades and reattach fusible link.

Dimensions are in inches (mm).



**Houston, Texas**  
Tel: 281-590-1172  
Fax: 281-590-3086

**Ft. Lauderdale, Florida**  
Tel: 954-351-2444  
Fax: 954-351-2440

**Toronto, Canada**  
Tel: 416-744-3300  
Fax: 416-744-3360

**Calgary, Canada**  
Tel: 403-279-8619  
Fax: 403-279-5035

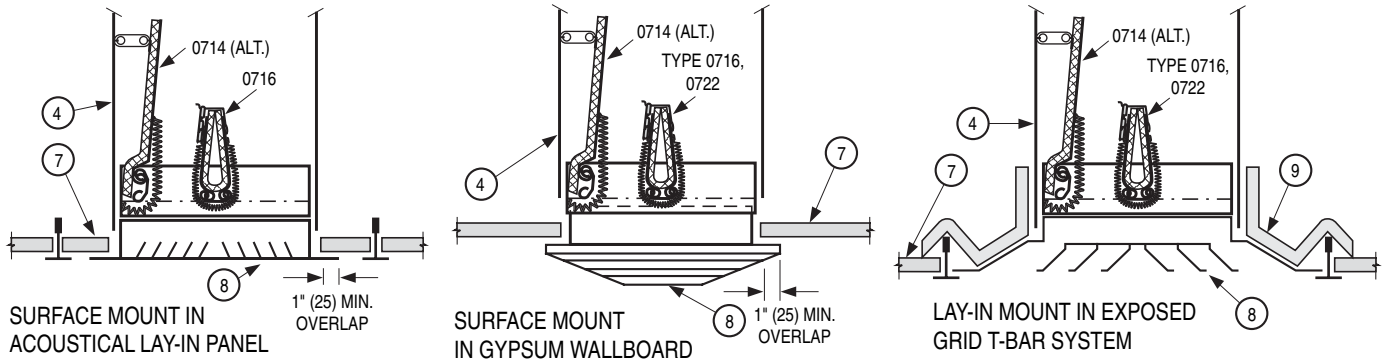
**QUALIFICATIONS:**

- **UL 555C Classified Ceiling Damper (File #9660).**
- **CAN4-S112.2 Ceiling Firestop Flap Assemblies.**
- **California State Fire Marshal: Fire Damper Listing No. 3225-0935:102.**
- **City of New York Board of Standards and Appeals. Cal. No. 460-88-SA.**
- **Meets the requirements for NFPA 90A, IBC and NBC (Canada) and associated local building codes.**

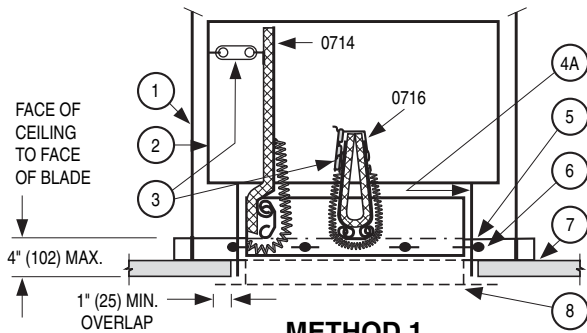
**NOTES:**

1. Model Series 0700 Ceiling Dampers (known as Fire Stop Flaps in Canada) are for use in place of the hinged blade, sheet metal damper in steel ducts with steel diffuser or grille as specified in the "Design Information Section – General" and in the individual floor or roof ceiling design(s) being used, as illustrated and described in the current UL Fire Resistance Directory. One ceiling damper of the same size as the allowable duct outlet size may be substituted for each hinged sheet metal damper specified in the design.  
The clearance between each side of the ceiling damper and the duct drop shall be 1/8" (3) maximum.
2. Opening in ceiling membrane may be up to 1" (25) larger than the nominal size of the ceiling radiation damper. For exposed grid T-Bar ceiling systems, where the opening in the ceiling membrane is larger (more than 1" (25)) than the ceiling damper, a thermal blanket (Model 0725 or 0726) must be installed over the exposed surface of the diffuser (see lay-in diffuser applications).  
Duct outlets in lay-in ceilings should be located within the field of an acoustical ceiling panel or tile.  
Where it is necessary to cut a main runner or cross tee, each cut end shall be supported by a vertical No. 12 SWG hanger wire. A 1/2" (13) clearance shall be maintained between the duct outlet and each cut end at main runner and cross tee. The duct outlet shall be located so that no more than one main runner or cross tee is cut when penetrating the ceiling membrane.
3. A. Before installing Model 0716 or 0722, open blades and install fusible link between spring loaded wire clips. Do not bend or deform clips after assembly. If dampers are provided with link tabs instead of wire clips, install link and bend tabs to secure link in position.  
B. After installing damper model 0714 in duct drop, open blade and attach link to duct or duct drop.
4. **INSTALLATION:**  
**Method 1.** Type 0714, 0716 and 0720  
Attach the two 16 ga. (1.6) steel support channels. (1 1/2" (38) deep with 1/2" (13) flanges), through the duct drop and ceiling damper using 3/16" (5) diameter by 1/2" (13) long steel bolts spaced 6" (152) o.c. maximum, with two bolts per channel minimum. The bolts shall not interfere with the closing of the ceiling damper.  
**Method 2.** Type 0714, 0716, 0720 and 0722  
Support the duct with two 16 ga. (1.6) steel support channels (1 1/2" (38) deep with 1/2" (13) flanges). Place the support channels at the bottom of the duct adjacent to both sides of the duct drop. Install the ceiling damper in the duct drop using 3/16" (5) diameter by 1/2" (13) long steel bolts, #8 by 1/2" (13) sheet metal screws or 3/16" (5) diameter steel rivets at 6" (152) o.c. with 2 per side minimum for rectangular or square dampers. For round dampers, use three equally spaced #8 x 1/2" (13) sheet metal screws for dampers up to 10" (254) dia. and four for larger sizes.
5. Use No. 12 SWG galvanized steel wire hangers to independently support channels to the structural members of the floor or roof above.
6. Maximum damper size. Models 0714, 0716, 0716-4 and 0716-4A: 24" x 24" (610 x 610).  
Model 0716A: 16" x 16" (406 x 406). Model 0720: 18" x 18" (457 x 457).  
Model 0722: 24" (610) dia. Model 0722A: 16" (406) dia..
7. **Steel grille or diffuser installation:** Attach to the duct drop or ceiling damper using #8 by 1/2" (13) long sheet metal screws at 8" (203) o.c. maximum and at least one screw per side for rectangular or square dampers. Round neck grilles or diffusers shall be attached to the duct drop or ceiling damper using a minimum of four equally spaced #8 x 1/2" (13) sheet metal screws. The grille or diffuser flange face shall overlap the ceiling opening by 1" (25) minimum and provide structural support for the ceiling membrane.  
**Non-steel grille or diffuser installation:** Duct drop requires a support flange as detailed on page 2. Grille or diffuser may be attached in any suitable manner.

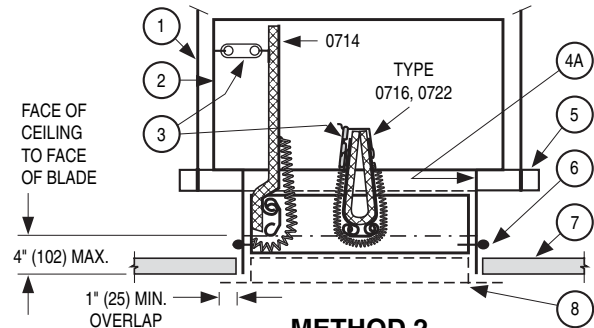
## TYPICAL GRILLE/DIFFUSER APPLICATIONS



## STEEL GRILLE OR DIFFUSER DETAIL

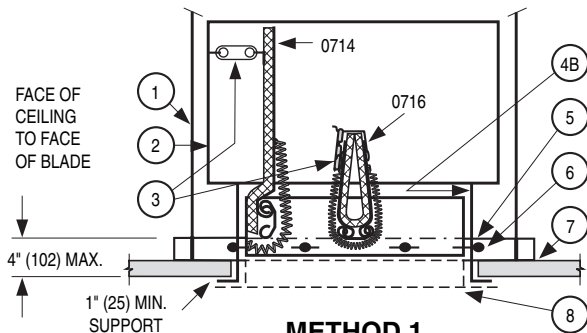


**METHOD 1**  
MODELS 0714, 0716, 0716A,  
0716-4, 0716-4A AND 0720

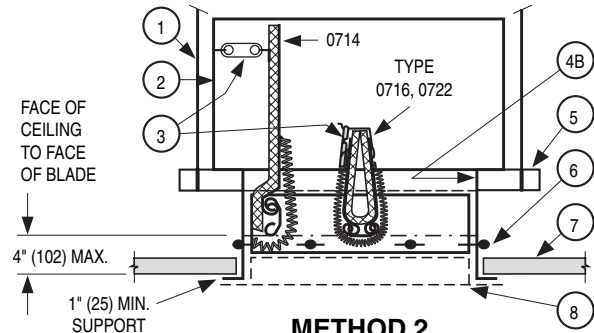


**METHOD 2**  
MODELS 0714, 0716, 0716A,  
0716-4, 0716-4A, 0720, 0722 AND 0722A

## NON-STEEL GRILLE OR DIFFUSER DETAIL



**METHOD 1**  
MODELS 0714, 0716, 0716A,  
0716-4, 0716-4A AND 0720



**METHOD 2**  
MODELS 0714, 0716, 0716A,  
0716-4, 0716-4A, 0720, 0722 AND 0722A

### ITEMS:

1. Wire hangers (4 required).
2. Main duct.
3. Listed fusible link or alt. listed adj. fusible link assembly. (Blade control through screw adjustment).
- 4a. Steel duct drop.
- 4b. Steel duct drop with 1" (25) lower support flange. The support flange may be integral to the duct drop or 1" x 1" (25 x 25) angles may be fastened to the duct drop at 4" (102) max. on center, min. two per side.
5. Support channels (2 required).
6. Mounting bolts, screws or rivets.
7. Ceiling: Acoustical panel (lay-in), acoustical tile or gypsum wallboard.
8. Grille or diffuser (see note 7).
9. Supplementary thermal blanket for use where ceiling opening is larger than nominal damper size. (See lay-in diffuser applications).

Dimensions are in inches (mm).

Page 2 of 2



Houston, Texas  
Tel: 281-590-1172  
Fax: 281-590-3086

Las Vegas, Nevada  
Tel: 702-648-5400  
Fax: 702-638-0400

Toronto, Canada  
Tel: 416-744-3300  
Fax: 416-744-3360

Calgary, Canada  
Tel: 403-279-8619  
Fax: 403-279-5035



**CEILING DAMPER, DIFFUSER AND THERMAL BLANKET ASSEMBLY  
FOR LAY-IN INSTALLATION WITH FLEXIBLE OR STEEL DUCT****QUALIFICATIONS:**

- UL 555C Classified Ceiling Damper. (File # 9660).
- CAN4-S112.2 Ceiling Firestop Flap Assemblies.
- California State Fire Marshal: Fire Damper Listing No. 3225-0935:102.
- City of New York Board of Standards and Appeals. Cal. No. 460-88-SA.
- Meets the requirements for NFPA 90A, IBC, BOCA, SBCCI, UBC, NBC (Canada) and associated local building codes.

**NOTES:**

1. Follow carefully the installation procedure shown on page 2 for flexible duct and page 3 for hard duct.
2. Before installing, open damper blades and install link between spring loaded wire clips. Do not bend or deform clips after assembly. If dampers are provided with link tabs instead of wire clips, install link and bend tabs to secure link in position.
3. The end tabs of the 2'-0" (610) cross T-Bar shall be bent back against the web of the 4'-0" (1219) cross T-Bars. The 4'-0" (1219) cross T-Bars must have slots in the web for connection of the 2'-0" (610) cross T-Bar.
4. Use No. 12 SWG galvanized steel hanger wires to independently support the ceiling T-Bars to the structural members of the floor or roof above. Ensure hanger wires are plumb and straight.
5. Maximum distance from face of ceiling to face of damper blade is 4" (102).
6. Maximum size of the Ceiling Damper/Ceiling Air Diffuser neck is 12" x 12" (305 x 305) for square hard duct and 14" (356) dia. for flexible duct installations.  
Larger neck sizes require the duct to be independently supported. See IOM pages 5.050-5.051.  
The Flexible Duct shall be Class 0 or 1 bearing the UL Classification marking. The maximum length of the duct shall not exceed 14'-0" (4267) in length. No portion of the duct shall rest on the back surface of the ceiling panels or tiles and a minimum of 4" (102) clearance must be maintained. Where the duct must be supported, use straps or No. 12 SWG steel hanger wires 4'-0" (1219) to 6'-0" (1829) o.c.
7. Caution should be observed so that the duct does not interfere with the operation of the Classified Ceiling Damper of the Ceiling Air Diffuser assembly.
8. No Diffuser shall be located in an adjacent 24" x 48" (610 x 1219) ceiling grid module.
9. Ceiling Damper/Ceiling Air Diffuser assemblies are for use in lieu of the hinged blade, sheet metal damper in steel ducts as specified in the "Design Information Section - General", and in the individual floor and roof ceiling design(s) being used, as illustrated and described in the current UL "Fire Resistance Directory".

**CEILING DAMPER, DIFFUSER AND THERMAL BLANKET ASSEMBLY  
FOR LAY-IN INSTALLATION WITH FLEXIBLE DUCT.  
MODELS: 0722 & 0722A.**

Slip ceiling damper over neck of diffuser and install screws (item 5) on equally spaced centers.

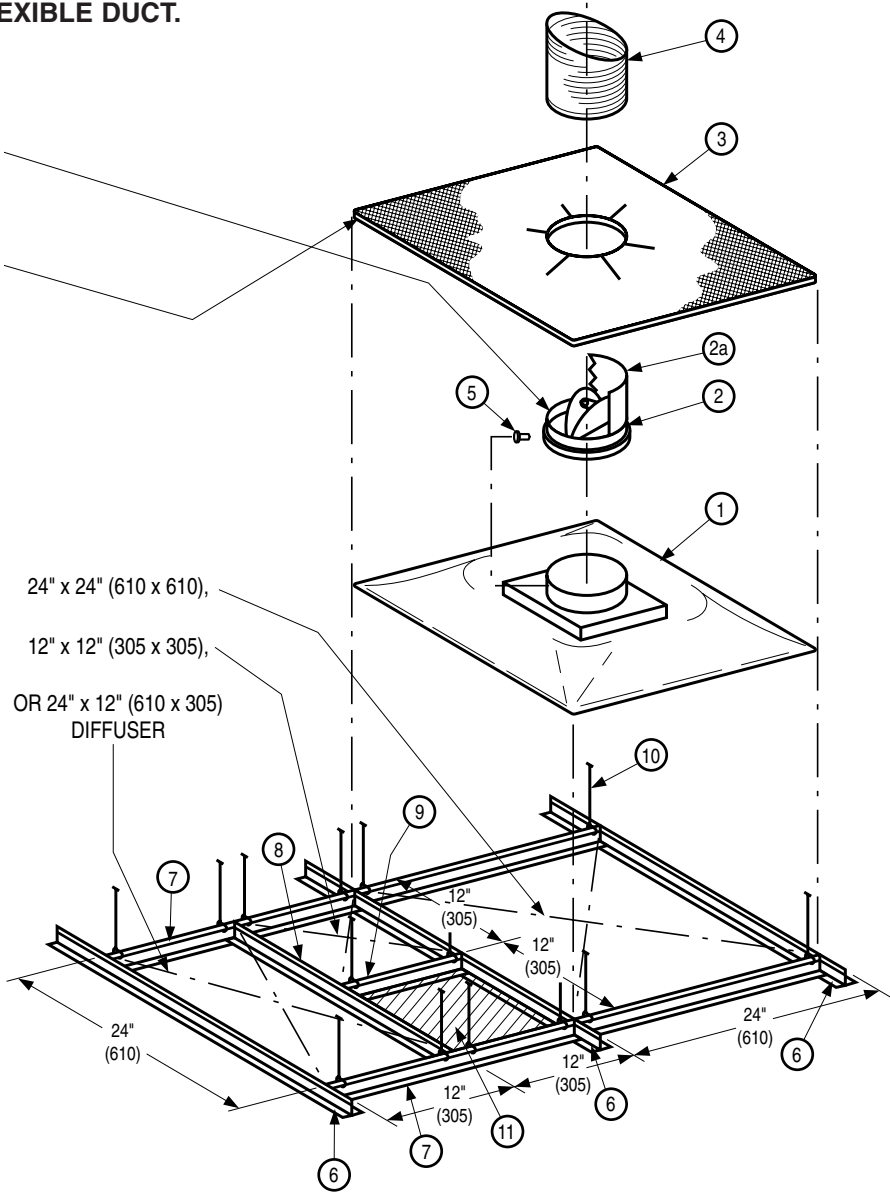
Place thermal blanket over ceiling damper and diffuser neck and set square with ceiling grid. Cut corners of blanket to clear hanger wires (item 10).

**ITEMS:**

1. Lay-in type steel diffuser with round neck or square-to-round adapter. (24 gauge minimum).
2. Ceiling damper.
- 2a. Ceiling damper with top extension.
3. Thermal blanket. (Model 0725).
4. UL Listed flexible duct.
5. #8 x 1/2" (13) sheet metal screws; equally spaced. Three required for 10" (254) dia. or less. Four required for 12" (305) and 14" (356) dia.
6. Main T-bar runner.
7. 4'-0" (1219) cross T-bar.
8. 2'-0" (610) T-bar.
9. 1'-0" (305) T-bar.
10. The 4 corners of the grid module in which the lay-in diffuser is installed shall have a hanger wire support.
11. Ceiling panel or tile set in ceiling grid.

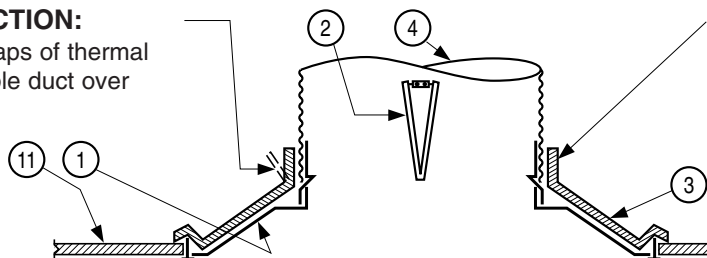
Combined diagram of typical ceiling grid layouts to suit 12" x 12" (305 x 305), 24" x 12" (610 x 305) or 24" x 24" (610 x 610) diffuser sizes as noted.

No diffusers shall be located in adjacent modules. Refer to notes on page 5.060.



**DUCT CONNECTION:**

Fold back neck flaps of thermal blanket, slip flexible duct over diffuser neck.



**THERMAL BLANKET ATTACHMENT:**

Replace neck flaps of thermal blanket over duct and fasten duct to neck over blanket using 18 SWG min. steel wire or steel clamp in accordance with duct manufacturer's installation instructions. Do not use bolts, screws or rivets.

**CEILING DAMPER, DIFFUSER AND THERMAL BLANKET ASSEMBLY FOR LAY-IN INSTALLATION WITH RECTANGULAR STEEL DUCT. MODELS: 0714, 0716, 0716A, 0716-4, 0716-4A & 0720.**

Slip ceiling damper over neck of diffuser and install screws (item 5) on equally spaced centers.

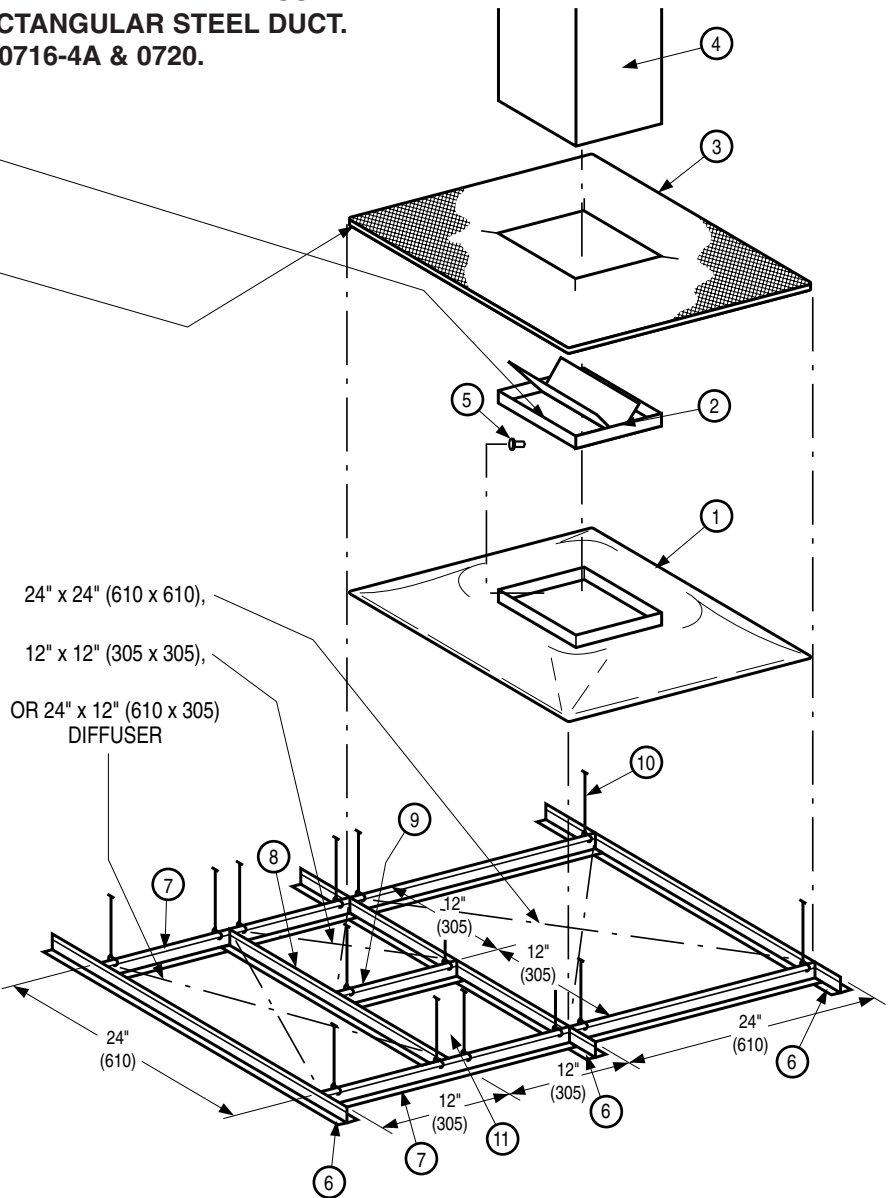
Place thermal blanket over ceiling damper and diffuser neck and set square with ceiling grid. Cut corners of blanket to clear hanger wires (item 10).

**ITEMS:**

1. Lay-in type steel diffuser with square or rectangular neck. (24 gauge min.).
2. Ceiling damper.
3. Thermal blanket. (Model 0726).
4. Steel duct drop.
5. #8 x 1/2" (13) sheet metal screws; equally spaced at 8" (203) o.c. maximum with at least one screw per side.
6. Main T-bar runner.
7. 4'-0" (1219) cross T-bar.
8. 2'-0" (610) T-bar.
9. 1'-0" (305) T-bar.
10. The 4 corners of the grid module in which the lay-in diffuser is installed shall have a hanger wire support.
11. Ceiling panel or tile set in ceiling grid.

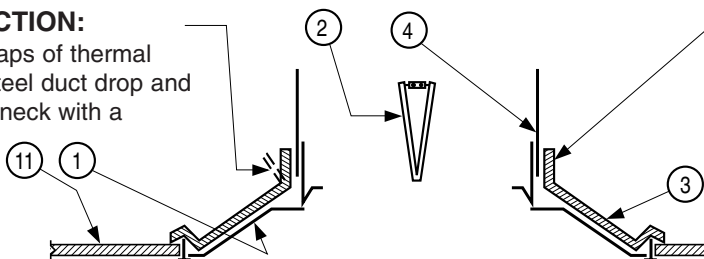
Combined diagram of typical ceiling grid layouts to suit 12" x 12" (305 x 305), 24" x 12" (610 x 305) or 24" x 24" (610 x 610) diffuser sizes as noted.

No diffusers shall be located in adjacent modules. Refer to notes on page 5.060.



**DUCT CONNECTION:**

Fold back neck flaps of thermal blanket, slip on steel duct drop and fasten to diffuser neck with a minimum of four #8 sheet metal screws, one per side.



**THERMAL BLANKET ATTACHMENT:**

Replace neck flaps of thermal blanket over duct and fasten using 18 SWG steel wire.



**Houston, Texas**  
Tel: 281-590-1172  
Fax: 281-590-3086

**Las Vegas, Nevada**  
Tel: 702-648-5400  
Fax: 702-638-0400

**Toronto, Canada**  
Tel: 416-744-3300  
Fax: 416-744-3360

**Calgary, Canada**  
Tel: 403-279-8619  
Fax: 403-279-5035