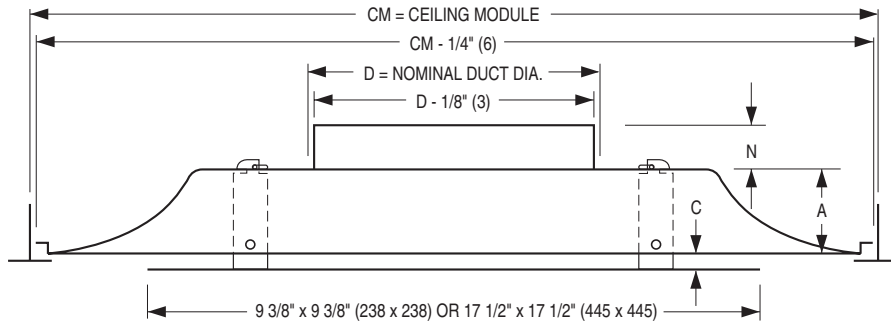




ARCHITECTURAL CEILING DIFFUSERS
SQUARE PLAQUE • CORNER POSTS
ROUND NECK • ALUMINUM
MODEL: AUNI2

TYPE L Lay-in T-Bar



Dimensional Data

Ceiling Module CM		Imperial Units (inches)						Metric Units (mm)					
Imperial Modules	Metric Modules	Duct Size D	N	A	B	C	F	Duct Size D	N	A	B	C	F
12 x 12	300 x 300	4*	3 1/4	1	11	5/8	13	102*	83	25	279	16	330
		5, 6, 7, 8	1 1/4					127, 152, 178, 203	32				
24 x 24	600 x 600	6, 8, 10, 12, 14, 15	1 1/4	2 5/16	22	3/8	N/A	152, 203, 254, 305, 356, 381	32	59	559	10	N/A

* Supplied with a reducer.

DESCRIPTION:

1. Material: Aluminum construction with corrosion resistant steel bracketry
2. The AUNI2 Diffuser has been designed to provide both the unobtrusive appearance for architectural excellence and engineered performance.
3. The diffuser delivers a tight 360° radial horizontal pattern allowing high turn down ratios with no dumping. Excellent for VAV systems.
4. The diffuser features a stamped one-piece outer-cone backpan which eliminates mitered corners. The plaque face features a hemmed edge for strength and a clean appearance. The corner posts are mechanically secured to a separate inner face panel. This design eliminates welding and assures a clean smooth blemish free painted finish under all lighting conditions.
5. The face panel is held in place by four hook corner posts that positively engage into slots in the backpan. The panel can be removed from the backpan for diffuser installation and to provide access to an optional inlet damper.
6. Standard finish is AW Appliance White.

OPTIONS:

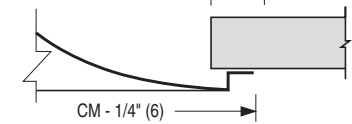
- MRI 100% Aluminum Construction. MRI room compatible (24 x 24 CM only).
 - EX External Foil-Back Insulation, installed - R-4.2
 - EXB External Foil-Back Insulation, ships loose - R-4.2
 - MIB Molded Insulation Blanket - R-6.0 ('MIB' is available for Frame Types L and F with a 24 x 24 CM only).
 - EQT Earthquake Tabs
- Finish:
- SP Special. Specify _____.
- QB Quadrant Blanks:
- QB3 3-Way Blow QB2 2-Way Opposite Blow
 - QC2 2-Way Corner Blow QB1 1-Way Blow

TYPE L Surface Mount

Hard duct connection recommended.

CM = CEILING MODULE

CEILING OPENING = B



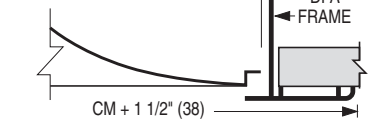
TYPE L Surface Mount With DFA

Drywall/Plaster frame. Recommended for flexible duct connection and ceiling access

CEILING OPENING = CM + 1/4" (6)

CM = CEILING MODULE

CM - 1/4" (6)

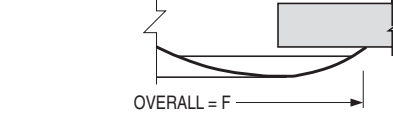


TYPE S Surface Mount

(12 x 12 [305 x 305] module only)

CM = CEILING MODULE

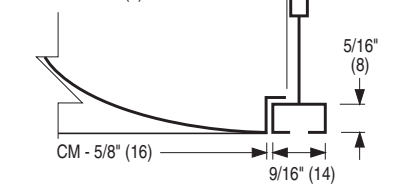
CEILING OPENING = CM - 1" (25)



TYPE F Finline®

CM = CEILING MODULE

CM - 1/4" (6)



Finline® is a registered trademark of USG Interiors Inc.

Dimensions are in inches (mm).

SCHEDULE TYPE:

PROJECT:

ENGINEER:

CONTRACTOR:

DATE

B SERIES

SUPERSEDES

DRAWING NO.

7 - 20 - 21

UNI

1 - 16 - 17

AUNI2



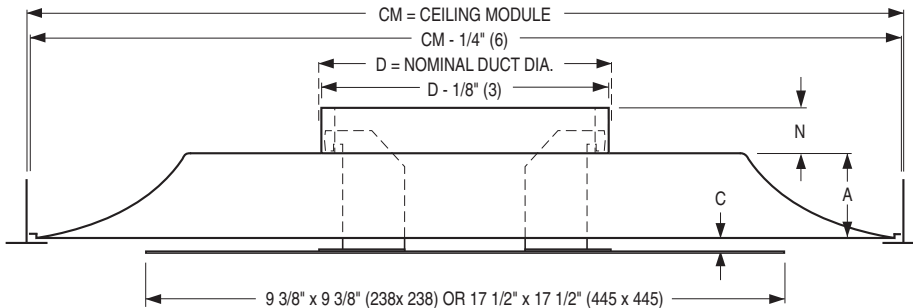
ARCHITECTURAL CEILING DIFFUSERS

SQUARE PLAQUE • CONCEALED NECK BRACKETRY

STEEL • ROUND NECK

MODEL: UNI

TYPE L Lay-in T-Bar



Dimensional Data

Ceiling Module CM		Imperial Units (inches)						Metric Units (mm)					
Imperial Modules	Metric Modules	Duct Size D	N	A	B	C	F	Duct Size D	N	A	B	C	F
12 x 12	300 x 300	4*	3 1/4	1	11	5/8	13	102*	83	25	279	16	330
		5, 6, 7, 8	1 1/4					127, 152, 178, 203	32				
24 x 24	600 x 600	6, 8, 10, 12, 14, 15	1 1/4	2 5/16	22	3/8	24 3/4	152, 203, 254, 305, 356, 381	32	59	559	10	629

* Supplied with a reducer.

DESCRIPTION:

1. Material: Heavy gauge, corrosion-resistant steel.
2. The UNI Diffuser has been designed to provide both the unobtrusive appearance for architectural excellence and engineered performance. Unique, concealed neck bracketry design is virtually invisible from a normal viewing position, giving the appearance that the plaque face floats below the backpan. There are no visible corner posts as on competitor's models to detract from the aesthetically clean design.
3. The diffuser delivers a tight 360° radial horizontal pattern allowing high turn down ratios with no dumping. Excellent for VAV systems.
4. The diffuser features a stamped one-piece outer-cone which eliminates mitered corners and a double skinned inner face panel with a hemmed edge for strength and a clean appearance.
5. A spring clip arrangement permits quick, easy installation and removal of the inner core assembly.
6. Standard finish is AW Appliance White.

OPTIONS:

- EX External Foil-Back Insulation, installed - R-4.2
- EXB External Foil-Back Insulation, ships loose - R-4.2
- MIB Molded Insulation Blanket - R-6.0 (24 x 24 only)
- EIC Extended Inlet Collar (2.25") with bead
- EQT Earthquake Tabs

Finish:

- SP Special. Specify _____.

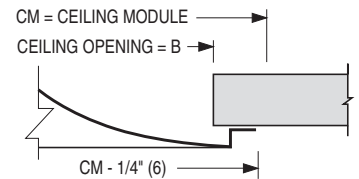
QB Quadrant Blanks:

- QB3 3-Way Blow
- QC2 2-Way Corner Blow
- QB2 2-Way Opposite Blow
- QB1 1-Way Blow

Dimensions are in inches (mm). Fineline® is a registered trademark of USG Interiors Inc.

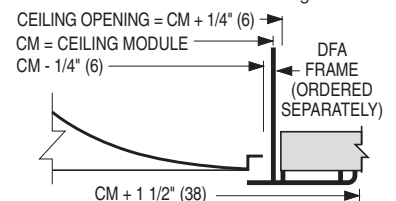
TYPE L Surface Mount

Hard duct connection recommended.



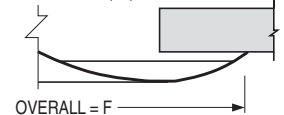
TYPE L Surface Mount With DFA

Drywall/Plaster frame. Recommended for flexible duct connection and ceiling access

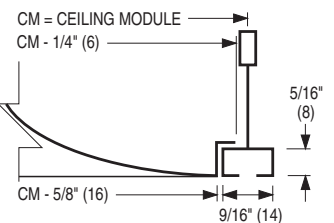


TYPE S Surface Mount

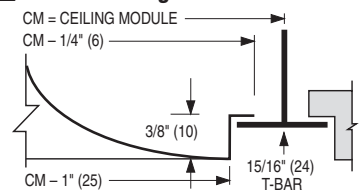
CM = CEILING MODULE
CEILING OPENING = CM - 1" (25)



TYPE F Fineline®

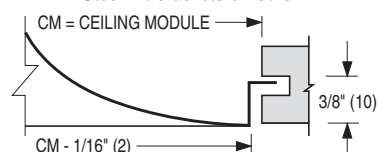


TYPE TL Regular



TYPE SP Spline

For one directional exposed T-Bar or fully concealed grid. 1 spline on two opposite sides. Steel lift brackets on other.



SCHEDULE TYPE:

PROJECT:

ENGINEER:

CONTRACTOR:

DATE

B SERIES

SUPERSEDES

DRAWING NO.

4 - 20 - 17

UNI

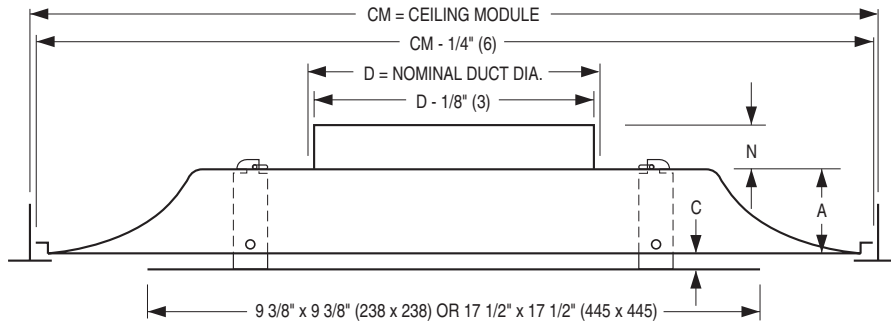
1 - 24 - 17

UNI-1



ARCHITECTURAL CEILING DIFFUSERS
SQUARE PLAQUE • CORNER POSTS
ROUND NECK • STEEL
MODEL: UNI2

TYPE L Lay-in T-Bar



Dimensional Data

Ceiling Module CM		Imperial Units (inches)						Metric Units (mm)					
Imperial Modules	Metric Modules	Duct Size D	N	A	B	C	F	Duct Size D	N	A	B	C	F
12 x 12	300 x 300	4*	3 1/4	1	11	5/8	13	102*	83	25	279	16	330
		5, 6, 7, 8	1 1/4					127, 152, 178, 203	32				
24 x 24	600 x 600	6, 8, 10, 12, 14, 15	1 1/4	2 5/16	22	3/8	N/A	152, 203, 254, 305, 356, 381	32	59	559	10	N/A

* Supplied with a reducer.

DESCRIPTION:

1. Material: Corrosion-resistant steel.
2. The UNI2 Diffuser has been designed to provide both the unobtrusive appearance for architectural excellence and engineered performance.
3. The diffuser delivers a tight 360° radial horizontal pattern allowing high turn down ratios with no dumping. Excellent for VAV systems.
4. The diffuser features a stamped one-piece outer-cone backpan which eliminates mitered corners. The inner face panel features a hemmed edge for strength and a clean appearance. The hemmed edge also mechanically captures the hanger brackets. This design eliminates welding and assures a clean smooth blemish free painted finish under all lighting conditions.
5. The face panel is held in place by four hook corner posts that positively engage into slots in the backpan. The panel can be removed from the backpan for diffuser installation and to provide access to an optional inlet damper.
6. Standard finish is AW Appliance White.

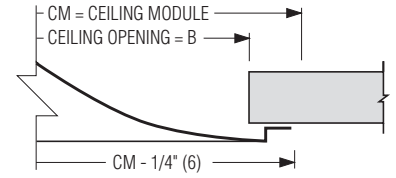
OPTIONS:

- EX External Foil-Back Insulation, installed - R-4.2
 - EXB External Foil-Back Insulation, ships loose - R-4.2
 - MIB Molded Insulation Blanket - R-6.0 (24 x 24 only)
 - EIC Extended Inlet Collar (2.25") with bead
 - EQT Earthquake Tabs
- Finish:
- SP Special. Specify _____.
- QB Quadrant Blanks:
- QB3 3-Way Blow
 - QB2 2-Way Opposite Blow
 - QC2 2-Way Corner Blow
 - QB1 1-Way Blow

Fineline® is a registered trademark of USG Interiors Inc.

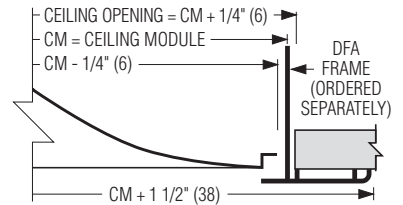
TYPE L Surface Mount

Hard duct connection recommended.



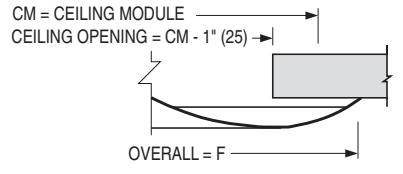
TYPE L Surface Mount With DFA

Drywall/Plaster frame. Recommended for flexible duct connection and ceiling access.

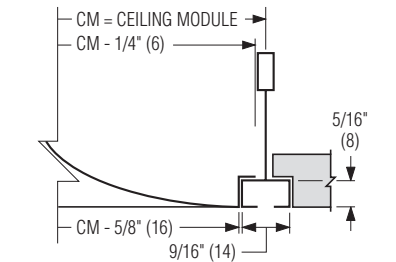


TYPE S Surface Mount

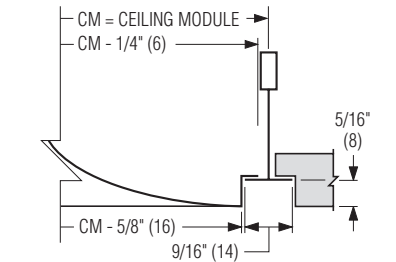
(12 x 12 [305 x 305] module only)



TYPE F Fineline® 9/16" Bolt Slot T-Bar



TYPE F Fineline® 9/16" Tegular T-Bar



Dimensions are in inches (mm).

SCHEDULE TYPE:

PROJECT:

ENGINEER:

CONTRACTOR:

DATE

B SERIES

SUPERSEDES

DRAWING NO.

7 - 20 - 21

UNI

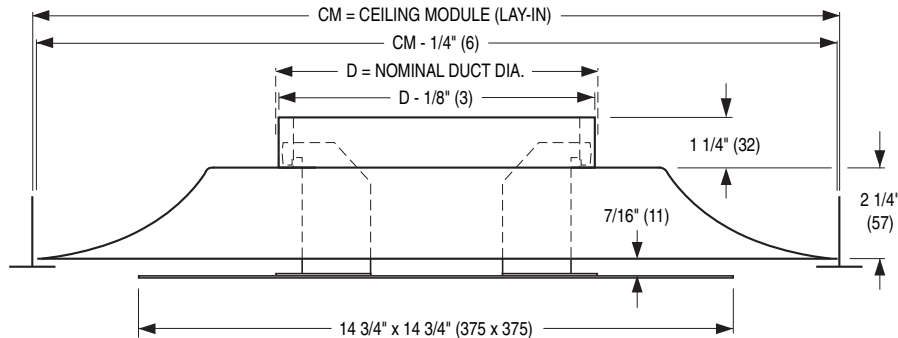
10 - 29 - 19

UNI2



ARCHITECTURAL CEILING DIFFUSERS
SQUARE PLAQUE • CONCEALED NECK BRACKETRY
STEEL • ROUND NECK
MODEL: UNI 20 x 20 MODULE

TYPE L Lay-in T-Bar



Dimensional Data

Ceiling Module CM		Imperial Units (inches)		Metric Units (mm)	
Imperial Modules	Metric Modules	Duct Size D	B	Duct Size D	B
20 x 20	500 x 500	6, 8, 10	18 1/2	152, 203, 254	470

The 20 x 20 (500 x 500) module is only available with the Type L frame.

DESCRIPTION:

1. Material: Corrosion-resistant steel.
2. The UNI Diffuser has been designed to provide both the unobtrusive appearance for architectural excellence and engineered performance. Unique, concealed neck bracketry design is virtually invisible from a normal viewing position, giving the appearance that the plaque face floats below the backpan. There are no visible corner posts as on competitor's models to detract from the aesthetically clean design.
3. The diffuser delivers a tight 360° radial horizontal pattern allowing high turn down ratios with no dumping. Excellent for VAV systems.
4. The diffuser features a stamped one-piece outer-cone which eliminates mitered corners and a double skinned inner face panel with a hemmed edge for strength and a clean appearance.
5. A spring clip arrangement permits quick, easy installation and removal of the inner core assembly.
6. Standard finish is AW Appliance White.

OPTIONS:

- EX External Foil-Back Insulation, installed - R-4.2
- EXB External Foil-Back Insulation, ships loose - R-4.2
- EIC Extended Inlet Collar (2.25") with bead
- EQT Earthquake Tabs

Finish:

- SP Special. Specify _____ .

QB Quadrant Blanks:

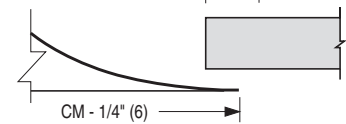
- QB3 3-Way Blow
- QC2 2-Way Corner Blow
- QB2 2-Way Opposite Blow
- QB1 1-Way Blow

TYPE L Surface Mount

Hard duct connection recommended.

CM = CEILING MODULE

CEILING OPENING = B



TYPE L Surface Mount With DFA

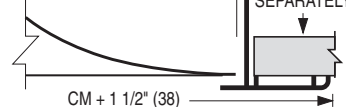
Drywall/Plaster frame. Recommended for flexible duct connection and ceiling access

CEILING OPENING = CM + 1/4" (6)

CM = CEILING MODULE

CM - 1/4" (6)

DFA
FRAME
(ORDERED
SEPARATELY)



SCHEDULE TYPE:	
PROJECT:	
ENGINEER:	
CONTRACTOR:	

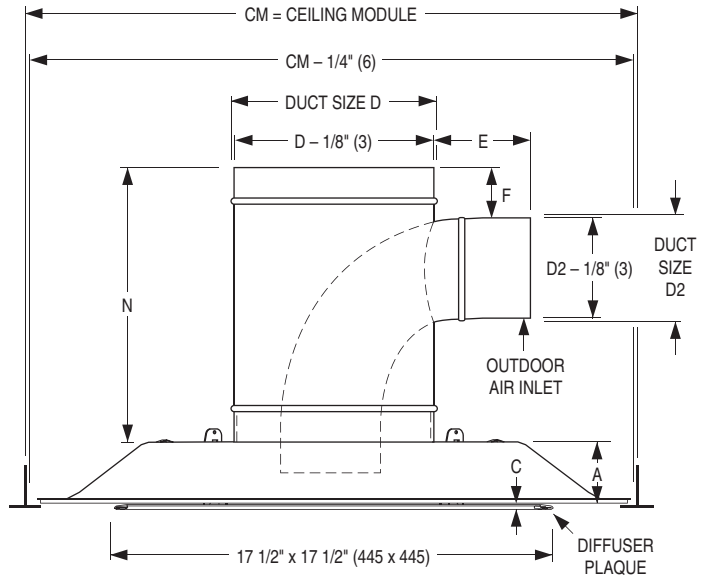
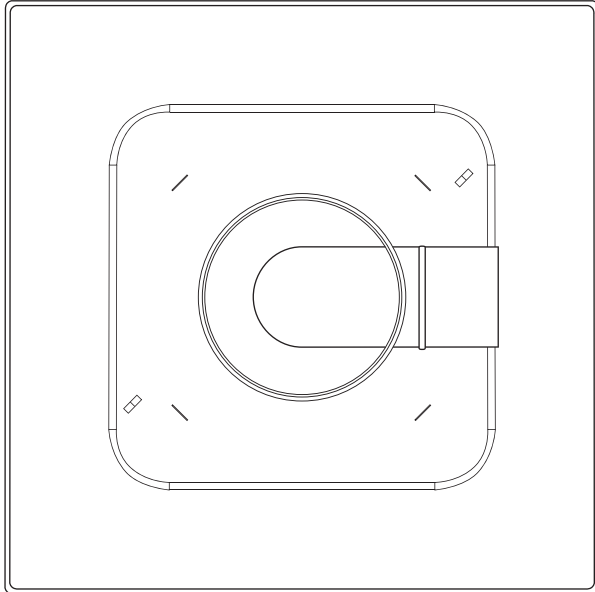
Dimensions are in inches (mm).

DATE	B SERIES	SUPERSEDES	DRAWING NO.
4 - 20 - 17	UNI	1 - 24 - 17	UNI-2



ARCHITECTURAL DUAL INLET CEILING DIFFUSER
 CONDITIONED & VENTILATION AIR MIXING
 SQUARE PLAQUE • CORNER POSTS • ROUND NECK • STEEL
MODEL: UNI2-DI

TYPE L Lay-in T-Bar



Dimensional Data

Ceiling Module		Imperial Units (inches)									Metric Units (mm)						
Imperial Modules	Metric Modules	Cond. Duct Size D	Vent. O. A. Duct D2	N	E	F	A	B	C	Cond. Duct Size D	Vent. O. A. Duct D2	N	E	F	A	B	C
24 x 24	600 x 600	8	4	11	3 7/8	2	2 5/16	22	3/8	203	102	279	98	51	59	559	10
		10			2 7/8					254			73				
		12	6	14 3/4	5 1/8	1 3/4	2 5/16	22	3/8	305	152	375	130	44	59	559	10
		14			4 1/8					305			105				

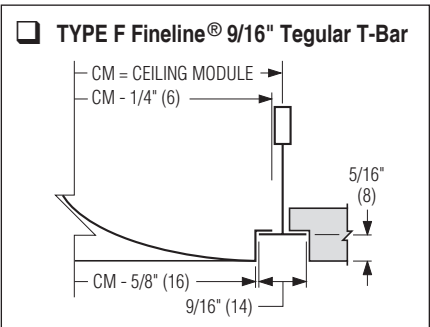
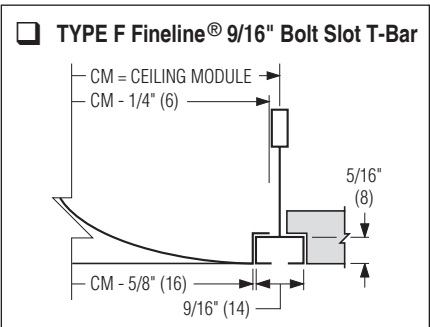
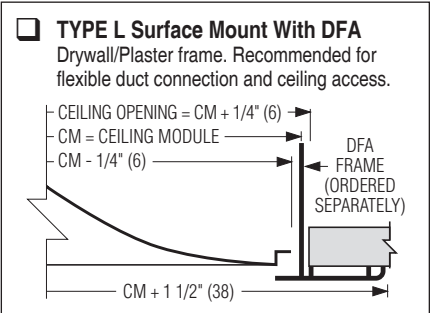
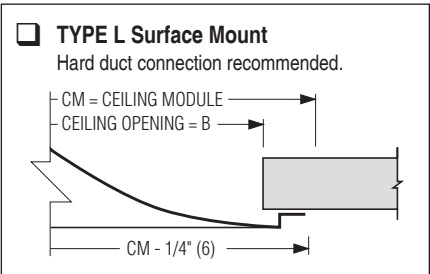
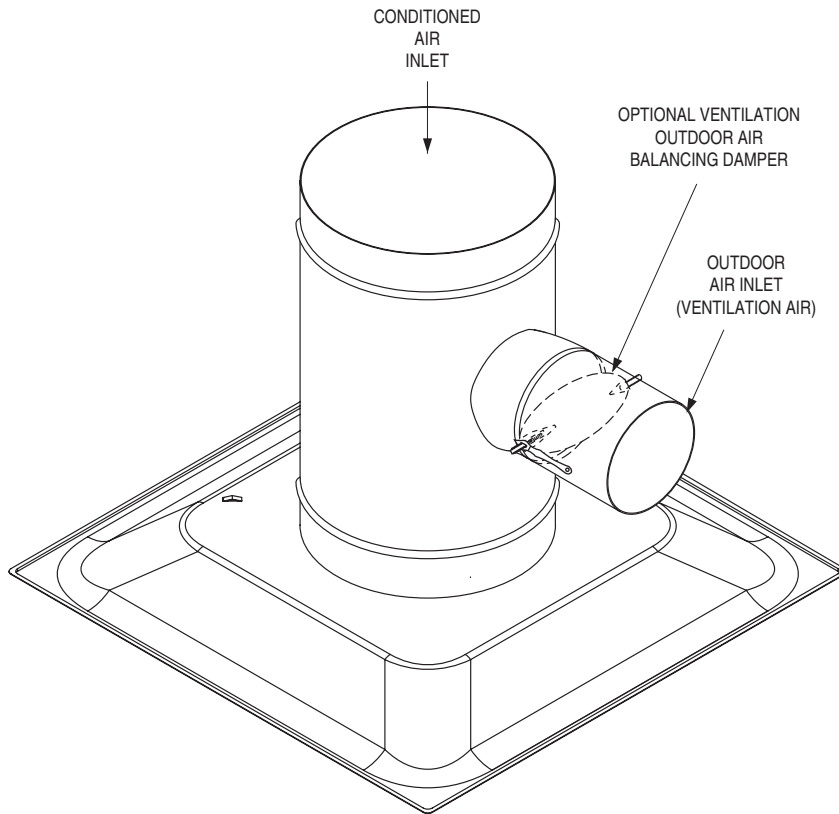
DESCRIPTION:

1. Material: Corrosion-resistant steel.
2. The UNI2-DI is a plaque diffuser that has two inlets. One from the main conditional air AHU and one from the Dedicated Outdoor Air System (DOAS). Utilizing the UNI2-DI within the entire space will allow for the required ventilation air and the conditioned air to be fully mixed and distributed evenly to all occupants.
3. The UNI2-DI is available with the following inlet size combinations.
 Conditioned air inlet: 8" (203), 10" (254) with 4" (102) OAI
 12" (305), 14" (356) with 6" (152) OAI
4. The UNI2-DI diffuser has been designed to provide both the unobtrusive appearance for architectural excellence and engineered performance.
5. The diffuser delivers a tight 360° radial horizontal pattern allowing high turn down ratios with no dumping.
6. The removable face panel is held in place by four hook corner posts that positively engage into slots in the backpan.
7. Standard finish is AW Appliance White.

OPTIONS:

- Conditioned Air Damper:
- 4250 Radial Sliding
 - 4275 Radial Opposed
 - 4675 Butterfly
 - OAB Outdoor Air Balancing damper with hand locking quadrant.
- QB Quadrant Blanks:
- QB3 3-Way Blow
 - QC2 2-Way Corner Blow
 - QB2 2-Way Opposite Blow
 - QB1 1-Way Blow
- Finish:
- SP Special. Specify _____
 - CVR Constant Volume Regulator (Order separately. Ships loose for field installation.)

SCHEDULE TYPE:		DATE	B SERIES	SUPERSEDES	DRAWING NO.
PROJECT:					
ENGINEER:		11 - 3 - 23	UNI	NEW	UNI2-DI
CONTRACTOR:					



Fineline® is a registered trademark of USG Interiors Inc.

SCHEDULE TYPE:	
PROJECT:	
ENGINEER:	
CONTRACTOR:	

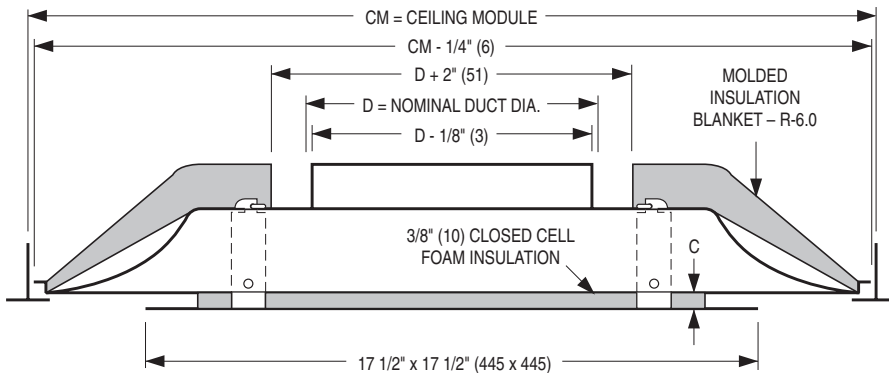
Page 2 of 2
 Dimensions are in inches (mm).

DATE	B SERIES	SUPERSEDES	DRAWING NO.
11 - 3 - 23	UNI	NEW	UNI2-DI



ARCHITECTURAL CEILING DIFFUSERS FOR HIGH HUMIDITY/LOW TEMPERATURE APPLICATIONS
SQUARE PLAQUE • CORNER POSTS • INSULATION
ROUND NECK
MODELS: UNI2-HH, AUNI2-HH

TYPE L Lay-in T-Bar



Dimensional Data

CM		Imperial Units (inches)			Metric Units (mm)		
Imperial Modules	Metric Modules	Duct Size D	B	C	Duct Size D	B	C
24 x 24	600 x 600	6, 8, 10, 12, 14, 15	22	3/8	152, 203, 254, 305, 356, 381	559	10

STANDARD CONSTRUCTION:

- UNI2-HH Corrosion-resistant steel
- AUNI2-HH Aluminum

DESCRIPTION:

- The diffuser provides condensation resistance, while delivering a tight 360° radial horizontal pattern allowing high turn down ratios with no dumping. Excellent for VAV systems.
- The diffuser features a stamped one-piece outer-cone backpan which eliminates mitered corners. The backpan is covered with a foil faced R-6.0 molded insulation blanket which provides excellent condensation resistance. The inner face panel is backed by 3/8" (10) closed cell foam that insulates the plaque from cold supply air. The inner face panel features a hemmed edge for strength and a clean appearance. The hemmed edge also mechanically captures the hanger brackets. This design eliminates welding and assures a clean, smooth, blemish-free painted finish under all lighting conditions.
- The face panel is held in place by four hook corner posts that positively engage into slots in the backpan. The panel can be removed from the backpan for diffuser installation and to provide access to an optional inlet damper.
- Standard finish is AW Appliance white (optional finishes are available).

OPTIONS:

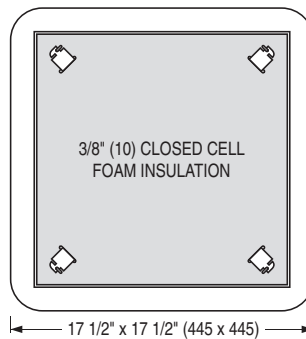
Dampers:

- 4250 Radial Sliding Blade Damper
- 4275 Radial Opposed Blade Damper
- 4675 Butterfly Damper
- EQT Earthquake Tabs

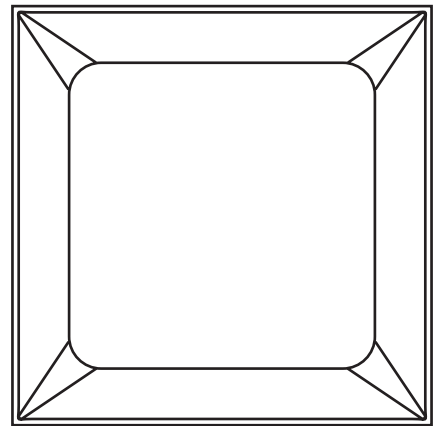
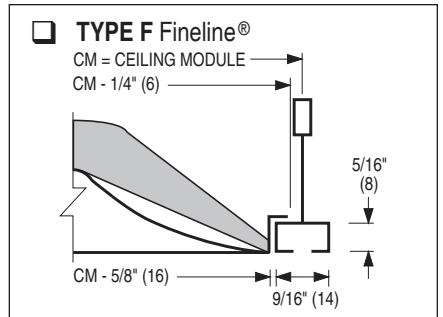
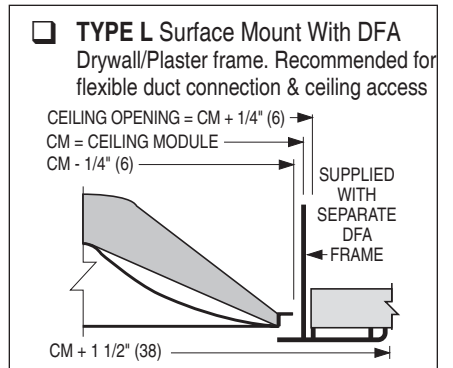
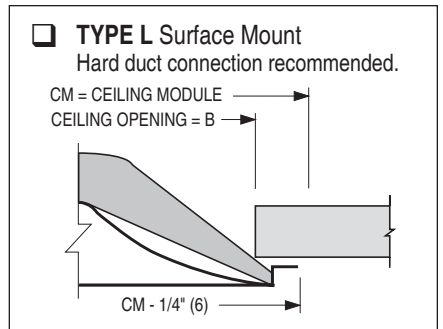
Finish:

- SP Special. Specify _____.

Fineline® is a registered trademark of USG Interiors Inc.



PLAQUE FACE



FACE VIEW

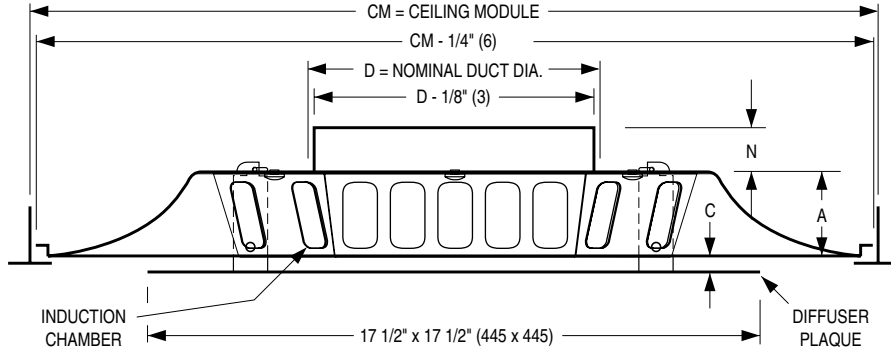
Dimensions are in inches (mm).

SCHEDULE TYPE:			
PROJECT:			
ENGINEER:			
CONTRACTOR:			
DATE	B SERIES	SUPERSEDES	DRAWING NO.
4 - 1 - 22	UNI	12 - 15 - 20	UNI2-HH



ARCHITECTURAL CEILING DIFFUSERS
SQUARE PLAQUE • HIGH INDUCTION
CORNER POSTS • ROUND NECK
MODELS: UNI2-HI, AUNI2-HI

TYPE L Lay-in T-Bar



Dimensional Data

CM		Imperial Units (inches)					Metric Units (mm)				
Imperial Modules	Metric Modules	Duct Size D	N	A	B	C	Duct Size D	N	A	B	C
24 x 24	600 x 600	6, 8, 10, 12, 14	1 1/4	2 5/16	22	3/8	152, 203, 254, 305, 356	32	59	559	10

STANDARD CONSTRUCTION:

- UNI2-HI Corrosion-resistant steel
- AUNI2-HI Aluminum

DESCRIPTION:

- The diffuser has been designed with an integral multi-port induction chamber to promote a high induction rate, rapidly mixing the supply air with the room air in order to eliminate drafts and provide improved thermal comfort.
- The diffuser delivers a tight 360° radial horizontal pattern allowing high turn down ratios with no dumping. Excellent for VAV systems.
- The diffuser features a stamped one-piece outer-cone backpan which eliminates mitered corners. The inner face panel features a hemmed edge for strength and a clean appearance. The hemmed edge also mechanically captures the hanger brackets. This design eliminates welding and assures a clean smooth blemish free painted finish under all lighting conditions.
- The face panel is held in place by four hook corner posts that positively engage into slots in the backpan. The induction chamber is secured against the backpan with four mounting screws. The panel can be removed from the backpan for diffuser installation and to provide access to an optional inlet damper.
- Standard finish is AW Appliance White.

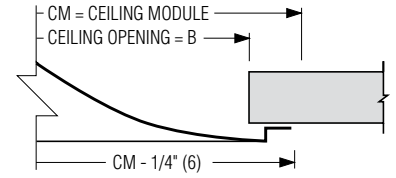
OPTIONS:

Dampers:

- 4250 Radial Sliding Blade Damper
- 4275 Radial Opposed Blade Damper
- 4675 Butterfly Damper
- MIB Molded Insulation Blanket - R-6.0
- EIC Extended Inlet Collar (2.25") with bead (not available on AUNI2-HI)
- EQT Earthquake Tabs

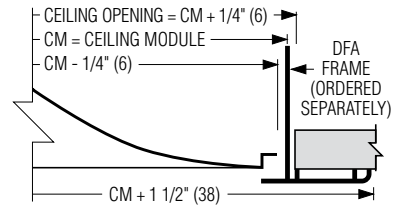
TYPE L Surface Mount

Hard duct connection recommended.

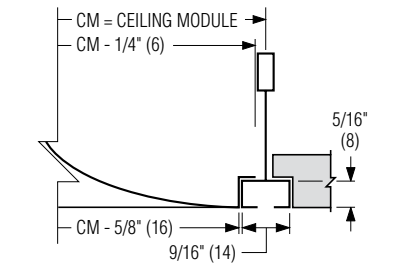


TYPE L Surface Mount With DFA

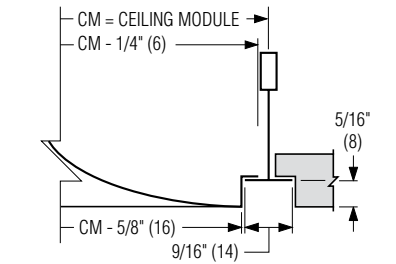
Drywall/Plaster frame. Recommended for flexible duct connection and ceiling access.



TYPE F Fineline® 9/16" Bolt Slot T-Bar



TYPE F Fineline® 9/16" Tegular T-Bar



Finish:

- SP Special. Specify _____.

SCHEDULE TYPE:

PROJECT:

ENGINEER:

CONTRACTOR:

Dimensions are in inches (mm).

DATE

B SERIES

SUPERSEDES

DRAWING NO.

2 - 19 - 24

UNI

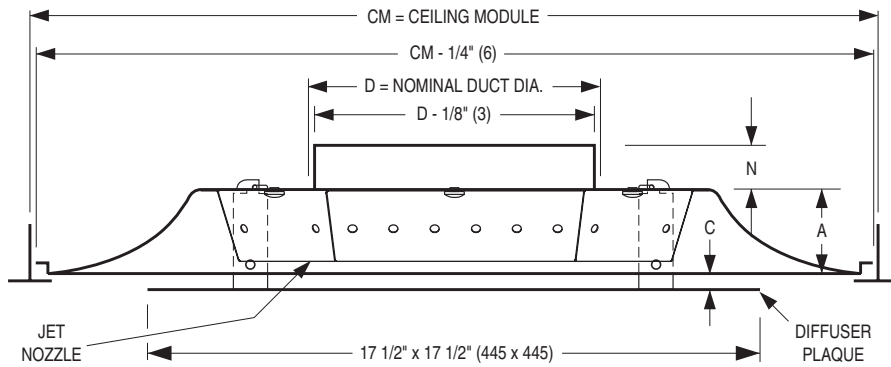
4 - 15 - 20

UNI2-HI



ARCHITECTURAL CEILING DIFFUSERS
SQUARE PLAQUE • JET NOZZLE
CORNER POSTS • ROUND NECK • STEEL
MODEL: UNI2-JN

TYPE L Lay-in T-Bar



Dimensional Data

CM		Imperial Units (inches)					Metric Units (mm)				
Imperial Modules	Metric Modules	Duct Size D	N	A	B	C	Duct Size D	N	A	B	C
24 x 24	600 x 600	4, 5, 6, 7, 8	1 1/4	2 5/16	22	3/8	102, 127, 152, 178, 203	32	59	559	10

DESCRIPTION:

1. Material: Corrosion-resistant steel.
2. The UNI2-JN Diffuser is designed to optimize performance under low airflow. The jet nozzle chamber creates high velocity air jets, allowing for high throw with airflows under 100 CFM.
3. The diffuser delivers a tight 360° radial horizontal pattern allowing high turn down ratios with no dumping. Excellent for VAV systems.
4. The diffuser features a stamped one-piece outer-cone backpan which eliminates mitered corners. The inner face panel features a hemmed edge for strength and a clean appearance. The hemmed edge also mechanically captures the hanger brackets. This design eliminates welding and assures a clean smooth blemish free painted finish under all lighting conditions.
5. The face panel is held in place by four hook corner posts that positively engage into slots in the backpan. The induction chamber is secured against the backpan with four mounting screws. The panel can be removed from the backpan for diffuser installation and to provide access to an optional inlet damper.
6. Standard finish is AW Appliance White.

OPTIONS:

Dampers:

- 4250 Radial Sliding Blade Damper
- 4275 Radial Opposed Blade Damper
- 4675 Butterfly Damper

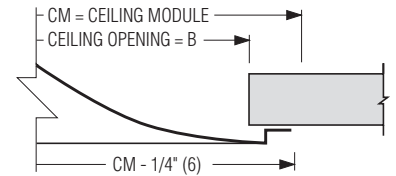
Finish:

- SP Special. Specify _____.

- MIB Molded Insulation Blanket - R-6.0
- EIC Extended Inlet Collar (2.25") with bead
- EQT Earthquake Tabs

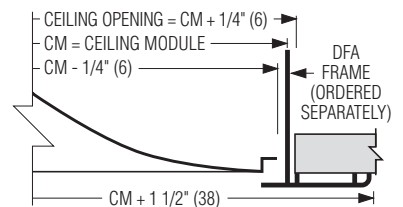
TYPE L Surface Mount

Hard duct connection recommended.

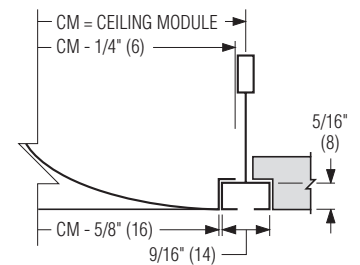


TYPE L Surface Mount With DFA

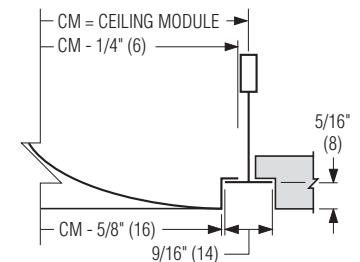
Drywall/Plaster frame. Recommended for flexible duct connection and ceiling access.



TYPE F Fineline® 9/16" Bolt Slot T-Bar



TYPE F Fineline® 9/16" Tegular T-Bar



SCHEDULE TYPE:

PROJECT:

ENGINEER:

CONTRACTOR:

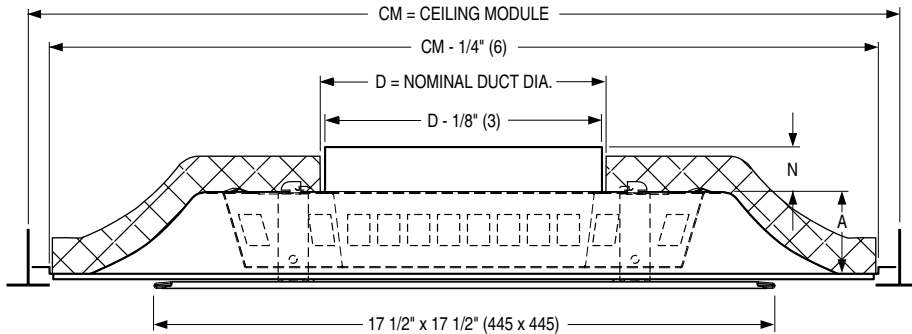
Dimensions are in inches (mm).

DATE	B SERIES	SUPERSEDES	DRAWING NO.
3 - 31 - 22	UNI	NEW	UNI2-JN



**ARCHITECTURAL CEILING DIFFUSER FOR
LOW TEMPERATURE APPLICATIONS**
SQUARE PLAQUE • CORNER POSTS
HIGH INDUCTION • ROUND NECK
MODELS: UNI2-LT, AUNI2-LT

TYPE L Lay-in T-Bar



Dimensional Data

CM	Duct Size D	N	A	B	C
24 x 24 (600 x 600)	4, 6, 8, 10 (102,152, 203, 254)	1 1/4 (32)	2 5/16 (59)	22 (559)	3/8 (10)

STANDARD CONSTRUCTION:

- UNI2-LT Corrosion-resistant steel
- AUNI2-LT Aluminum

DESCRIPTION:

1. The diffuser has an integral jet nozzle high induction chamber that rapidly mixes low temperature air jets with the room air. The design maintains throw at low airflows, eliminating drafts and providing high thermal comfort.
2. The diffuser delivers a tight 360° radial horizontal pattern allowing high turn down ratios with no dumping. Excellent for VAV systems.
3. The diffuser features a stamped one-piece outer-cone backpan which eliminates mitered corners. The inner face panel features a hemmed edge for strength and a clean appearance. The hemmed edge also mechanically captures the hanger brackets. This design eliminates welding and assures a clean smooth blemish free painted finish under all lighting conditions.
4. The face panel is held in place by four hook corner posts that positively engage into slots in the backpan.
5. Induction chamber internally insulated with 1/2" (13) fiber-free liner (closed cell foam) which meets requirement of NFPA 90A and UL181. Internal plaque face thermally protected with 3/8" (9.5) fiber-free liner. Diffuser backpan externally insulated with 1" (25) fiberglass with FSK foil face which meets requirement of NFPA 90A and UL181.
6. Standard finish is AW Appliance White.

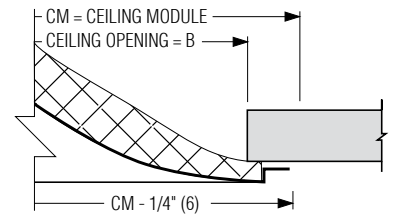
OPTIONS:

- Finish:
- SP Special. Specify _____.

Fineline® is a registered trademark of USG Interiors Inc.

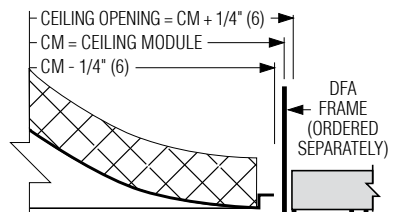
TYPE L Surface Mount

Hard duct connection recommended.

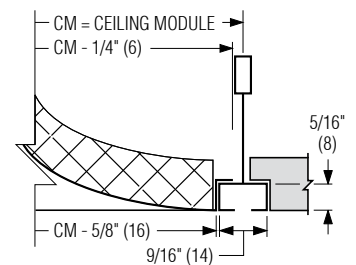


TYPE L Surface Mount With DFA

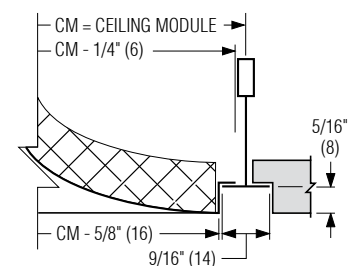
Drywall/Plaster frame. Recommended for flexible duct connection and ceiling access.



TYPE F Fineline® 9/16" Bolt Slot T-Bar



TYPE F Fineline® 9/16" Tegular T-Bar



Dimensions are in inches (mm).

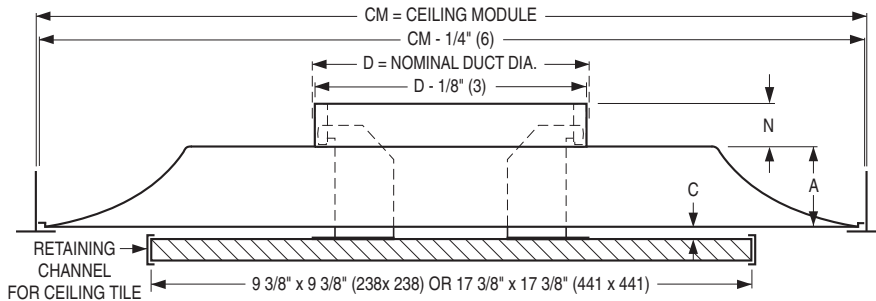
SCHEDULE TYPE:				
PROJECT:				
ENGINEER:	DATE	B SERIES	SUPERSEDES	DRAWING NO.
CONTRACTOR:	2 - 16 - 24	UNI	3 - 11 - 21	UNI2-LT



ARCHITECTURAL CEILING DIFFUSERS

SQUARE PLAQUE • CONCEALED NECK BRACKETRY
 CEILING TILE MOUNTING • STEEL • ROUND NECK
 MODEL: UNI WITH RC OPTION

TYPE L Lay-in T-Bar



Dimensional Data

Ceiling Module CM		Imperial Units (inches)						Metric Units (mm)					
Imperial Modules	Metric Modules	Duct Size D	N	A	B	C	F	Duct Size D	N	A	B	C	F
12 x 12	300 x 300	4*	3 1/4	1	11	5/8	13	102*	83	25	279	16	330
		5, 6, 7, 8	1 1/4					32					
24 x 24	600 x 600	6, 8, 10, 12, 14, 15	1 1/4	2 5/16	22	3/8	24 3/4	152, 203, 254, 305, 356, 381	32	59	559	10	629

* Supplied with a reducer.

DESCRIPTION:

1. Material: Corrosion-resistant steel.
2. The UNI Diffuser has been designed to provide both the unobtrusive appearance for architectural excellence and engineered performance. Unique, concealed neck bracketry design is virtually invisible from a normal viewing position, giving the appearance that the plaque face floats below the backpan. There are no visible corner posts as on competitor's models to detract from the aesthetically clean design.
3. The diffuser delivers a tight 360° radial horizontal pattern allowing high turn down ratios with no dumping. Excellent for VAV systems.
4. Stamped one-piece outer cone eliminates mitered corners. Inner diffuser plate is supplied with a retaining channel for mounting a ceiling tile up to 5/8" (16) thick for a unique custom appearance. Blends harmoniously with architectural ceiling design. The RC retaining channel is shipped separately for field installation of a ceiling tile that has been cut to size. The RC channel is supplied in two pieces with pop rivets for field assembly.
5. A spring clip arrangement permits quick, easy installation and removal of the inner core assembly.
6. Standard finish is AW Appliance White.

OPTIONS:

- CF Ceiling tile cut and factory mounted (supplied by others)
- EX External Foil-Back Insulation, installed - R-4.2
- EXB External Foil-Back Insulation, ships loose - R-4.2
- MIB Molded Insulation Blanket - R-6.0 (24 x 24 only)
- EIC Extended Inlet Collar (2.25") with bead
- EQT Earthquake Tabs

Finish:

- SP Special. Specify _____ .

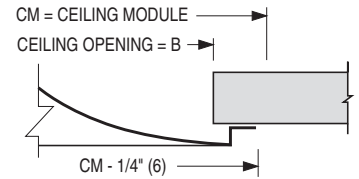
QB Quadrant Blanks:

- QB3 3-Way Blow
- QC2 2-Way Corner Blow
- QB2 2-Way Opposite Blow
- QB1 1-Way Blow

Dimensions are in inches (mm). Finline® is a registered trademark of USG Interiors Inc.

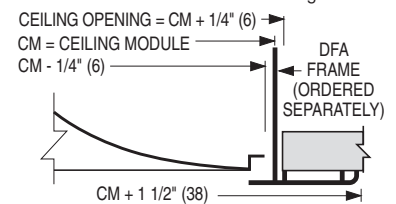
TYPE L Surface Mount

Hard duct connection recommended.



TYPE L Surface Mount With DFA

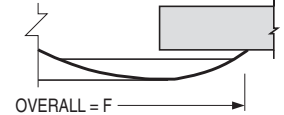
Drywall/Plaster frame. Recommended for flexible duct connection and ceiling access



TYPE S Surface Mount

CM = CEILING MODULE

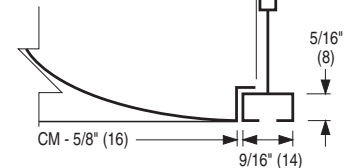
CEILING OPENING = CM - 1" (25)



TYPE F Finline®

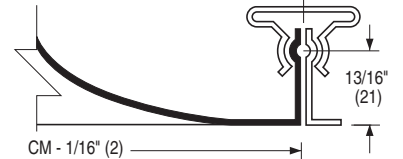
CM = CEILING MODULE

CM - 1/4" (6)



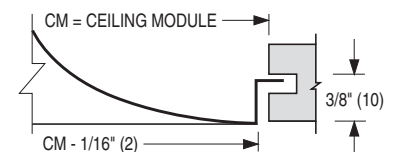
TYPE M Metal Pan (Snap-in)

CM = CEILING MODULE



TYPE SP Spline

For one directional exposed T-Bar or fully concealed grid. 1 spline on two opposite sides. Steel lift brackets on other.



SCHEDULE TYPE:

PROJECT:

ENGINEER:

CONTRACTOR:

DATE

B SERIES

SUPERSEDES

DRAWING NO.

4 - 20 - 17

UNI

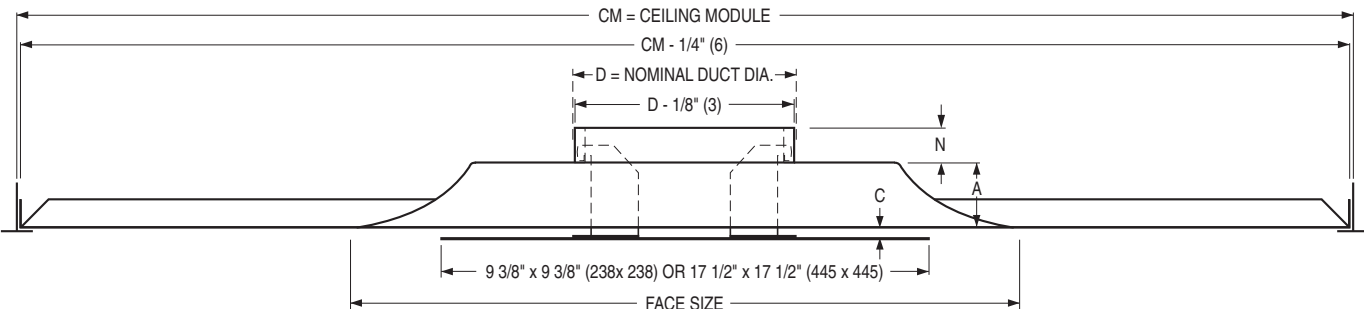
1 - 24 - 17

UNI-3



ARCHITECTURAL CEILING DIFFUSERS
SQUARE PLAQUE • CONCEALED NECK BRACKETRY
ROUND NECK • STEEL • PANEL MOUNTED
MODEL: UNI TYPE PL

TYPE PL Panel Mounted Lay-in T-Bar



Dimensional Data

Ceiling Module CM		Imperial Units (inches)					Metric Units (mm)										
Imperial Modules	Metric Modules	Face Size	Duct Size D	N	A	C	Face Size	Duct Size D	N	A	C						
20 x 20	500 x 500	12 x 12	4*	3 1/4	1	5/8	300 x 300	102*	83	25	16						
			5, 6, 7, 8	1 1/4				127, 152, 178, 203	32								
24 x 24	600 x 600		4*	3 1/4				102*	83								
			5, 6, 7, 8	1 1/4				127, 152, 178, 203	32								
30 x 30	750 x 750		24 x 24	6, 8, 10, 12, 14, 15				1 1/4	2 5/16			3/8	600 x 600	152, 203, 254, 305, 356, 381	32	59	10
				6, 8, 10, 12, 14, 15										152, 203, 254, 305, 356, 381			

* Supplied with a reducer.

DESCRIPTION:

1. Material: Corrosion-resistant steel.
2. The UNI Diffuser has been designed to provide both the unobtrusive appearance for architectural excellence and engineered performance. Unique, concealed neck bracketry design is virtually invisible from a normal viewing position, giving the appearance that the plaque face floats below the backpan. There are no visible corner posts as on competitor's models to detract from the aesthetically clean design.
3. The diffuser delivers a tight 360° radial horizontal pattern allowing high turn down ratios with no dumping. Excellent for VAV systems.
4. The diffuser features a stamped one-piece outer-cone which eliminates mitered corners and a double skinned inner face panel with a hemmed edge for strength and a clean appearance.
5. A spring clip arrangement permits quick, easy installation and removal of the inner core assembly.
6. Standard finish is AW Appliance White.

OPTIONS:

- EX External Foil-Back Insulation, installed - R-4.2
- EXB External Foil-Back Insulation, ships loose - R-4.2
- MIB Molded Insulation Blanket - R-6.0 (24 x 24 only)
- EIC Extended Inlet Collar (2.25") with bead
- EQT Earthquake Tabs

Finish:

- SP Special. Specify _____ .

QB Quadrant Blanks:

- QB3 3-Way Blow
- QC2 2-Way Corner Blow
- QB2 2-Way Opposite Blow
- QB1 1-Way Blow

SCHEDULE TYPE:

PROJECT:

ENGINEER:

CONTRACTOR:

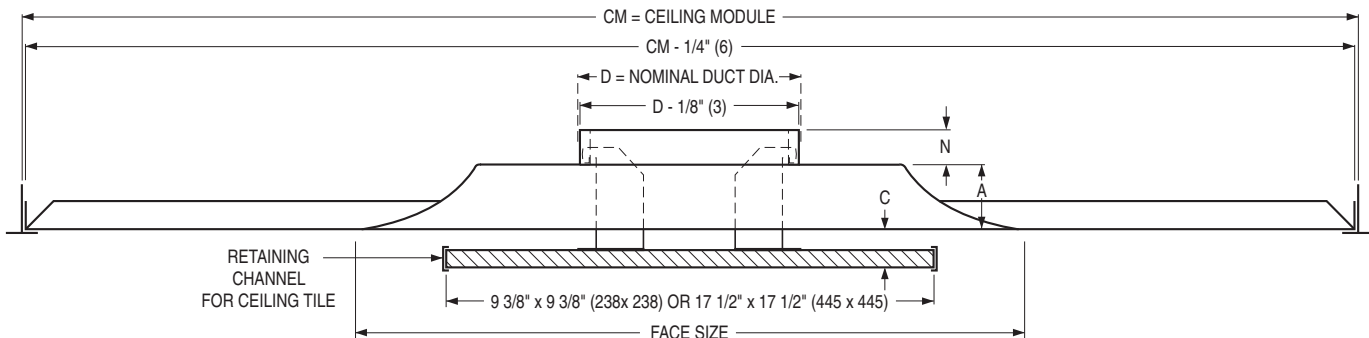
Dimensions are in inches (mm).

DATE	B SERIES	SUPERSEDES	DRAWING NO.
4 - 20 - 17	UNI	5 - 5 - 16	UNI-4



ARCHITECTURAL CEILING DIFFUSERS
 SQUARE PLAQUE • CONCEALED NECK BRACKETRY
 CEILING TILE MOUNTING • ROUND NECK
 STEEL • PANEL MOUNTED
MODEL: UNI TYPE PL WITH RC OPTION

TYPE PL Panel Mounted, Lay-in T-Bar with RC Retaining Channel for Ceiling Tile



Dimensional Data

Ceiling Module CM		Imperial Units (inches)					Metric Units (mm)				
Imperial Modules	Metric Modules	Face Size	Duct Size D	N	A	C	Face Size	Duct Size D	N	A	C
20 x 20	500 x 500	12 x 12	4*	3 1/4	1	1 3/8	300 x 300	102*	83	25	35
			5, 6, 7, 8	1 1/4				127, 152, 178, 203	32		
24 x 12	600 x 300		4*	3 1/4				102*	83		
			5, 6, 7, 8	1 1/4				127, 152, 178, 203	32		
24 x 24	600 x 600		4*	3 1/4				102*	83		
			5, 6, 7, 8	1 1/4				127, 152, 178, 203	32		
30 x 30	750 x 750	24 x 24	6, 8, 10, 12, 14, 15	1 1/4	2 5/16	1 1/8	600 x 600	152, 203, 254, 305, 356, 381	32	59	29
48 x 24	1200 x 600		6, 8, 10, 12, 14, 15					152, 203, 254, 305, 356, 381			

* Supplied with a reducer.

DESCRIPTION:

1. Material: Corrosion-resistant steel.
2. The UNI Diffuser has been designed to provide both the unobtrusive appearance for architectural excellence and engineered performance. Unique, concealed neck bracketry design is virtually invisible from a normal viewing position, giving the appearance that the plaque face floats below the backpan. There are no visible corner posts as on competitor's models to detract from the aesthetically clean design.
3. The diffuser delivers a tight 360° radial horizontal pattern allowing high turn down ratios with no dumping. Excellent for VAV systems.
4. Stamped one-piece outer cone eliminates mitered corners. Inner diffuser plate is supplied with a retaining channel for mounting a ceiling tile up to 5/8" (16) thick for a unique custom appearance. Blends harmoniously with architectural ceiling design. The RC retaining channel is shipped separately for field installation of a ceiling tile that has been cut to size. The RC channel is supplied in two pieces with pop rivets for field assembly.

5. A spring clip arrangement permits quick, easy installation and removal of the inner core assembly.
6. Standard finish is AW Appliance White.

OPTIONS:

- CF Ceiling tile cut and factory mounted (supplied by others)
- EX External Foil-Back Insulation, installed - R-4.2
- EXB External Foil-Back Insulation, ships loose - R-4.2
- MIB Molded Insulation Blanket - R-6.0 (24 x 24 only)
- EIC Extended Inlet Collar (2.25") with bead
- EQT Earthquake Tabs

Finish:

- SP Special. Specify _____ .

QB Quadrant Blanks:

- QB3 3-Way Blow
- QC2 2-Way Corner Blow
- QB2 2-Way Opposite Blow
- QB1 1-Way Blow

SCHEDULE TYPE:

PROJECT:

ENGINEER:

CONTRACTOR:

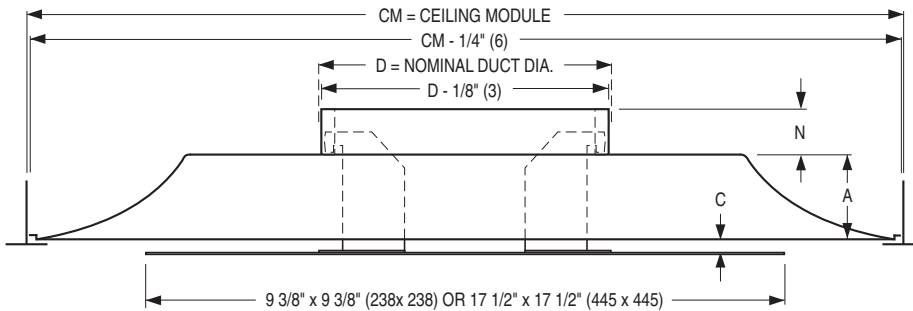
Dimensions are in inches (mm).

DATE	B SERIES	SUPERSEDES	DRAWING NO.
4 - 20 - 17	UNI	5 - 5 - 16	UNI-5



ARCHITECTURAL CEILING DIFFUSERS
SQUARE PLAQUE • CONCEALED NECK BRACKETRY
ALUMINUM • ROUND NECK
MODEL: AUNI

TYPE L Lay-in T-Bar



Dimensional Data

Ceiling Module CM		Imperial Units (inches)						Metric Units (mm)					
Imperial Modules	Metric Modules	Duct Size D	N	A	B	C	F	Duct Size D	N	A	B	C	F
12 x 12	300 x 300	4*	3 1/4	1	11	5/8	13	102*	83	25	279	16	330
		5, 6, 7, 8	1 1/4					127, 152, 178, 203	32				
24 x 24	600 x 600	6, 8, 10, 12, 14, 15	1 1/4	2 5/16	22	3/8	N/A	152, 203, 254, 305, 356, 381	32	59	559	10	N/A

* Supplied with a reducer.

DESCRIPTION:

1. Material: Aluminum with corrosion-resistant steel neck bracketry.
2. The AUNI Diffuser has been designed to provide both the unobtrusive appearance for architectural excellence and engineered performance. Unique, concealed neck bracketry design is virtually invisible from a normal viewing position, giving the appearance that the plaque face floats below the backpan. There are no visible corner posts as on competitor's models to detract from the aesthetically clean design.
3. The diffuser delivers a tight 360° radial horizontal pattern allowing high turn down ratios with no dumping. Excellent for VAV systems.
4. The diffuser features a stamped one-piece outer-cone which eliminates mitered corners and a double skinned inner face panel with a hemmed edge for strength and a clean appearance.
5. A spring clip arrangement permits quick, easy installation and removal of the inner core assembly.
6. Standard finish is AW Appliance White.

OPTIONS:

- EX External Foil-Back Insulation, installed - R-4.2
- EXB External Foil-Back Insulation, ships loose - R-4.2
- MIB Molded Insulation Blanket - R-6.0 (24 x 24 only)
- EQT Earthquake Tabs

Finish:

- SP Special. Specify _____.

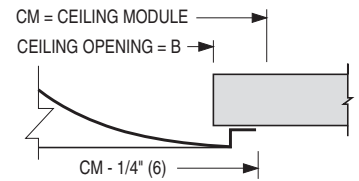
QB Quadrant Blanks:

- QB3 3-Way Blow
- QC2 2-Way Corner Blow
- QB2 2-Way Opposite Blow
- QB1 1-Way Blow

Fineline® is a registered trademark of USG Interiors Inc.

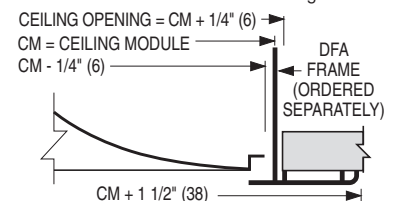
TYPE L Surface Mount

Hard duct connection recommended.



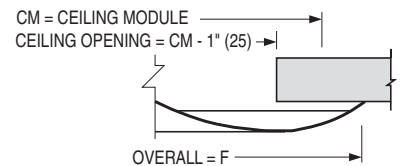
TYPE L Surface Mount With DFA

Drywall/Plaster frame. Recommended for flexible duct connection and ceiling access

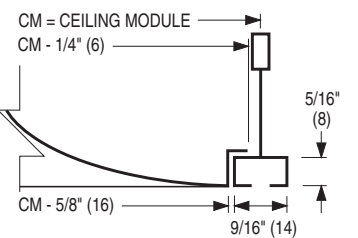


TYPE S Surface Mount

(12 x 12 [305 x 305] module only)



TYPE F Fineline®



SCHEDULE TYPE:

PROJECT:

ENGINEER:

CONTRACTOR:

Dimensions are in inches (mm).

DATE

B SERIES

SUPERSEDES

DRAWING NO.

1 - 24 - 17

UNI

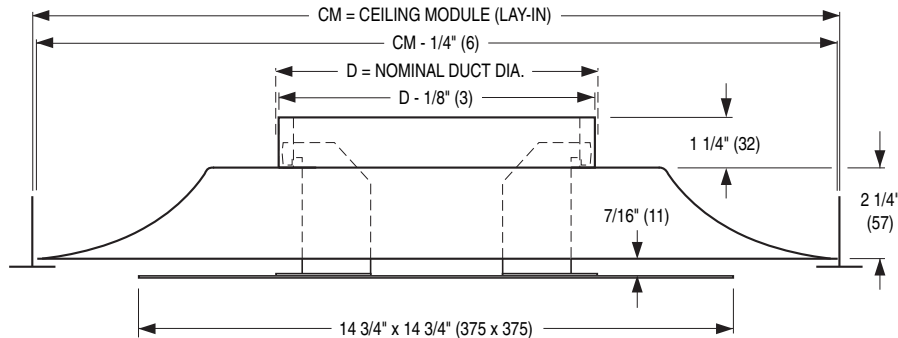
7 - 25 - 16

UNI-6



ARCHITECTURAL CEILING DIFFUSERS
SQUARE PLAQUE • CONCEALED NECK BRACKETRY
ALUMINUM • ROUND NECK
MODEL: AUNI 20 x 20 MODULE

TYPE L Lay-in T-Bar



Dimensional Data

Ceiling Module CM		Imperial Units (inches)		Metric Units (mm)	
Imperial Modules	Metric Modules	Duct Size D	B	Duct Size D	B
20 x 20	500 x 500	6, 8, 10	18 1/2	152, 203, 254	470

The 20 x 20 (500 x 500) module is only available with the Type L frame.

DESCRIPTION:

1. Material: Aluminum with corrosion-resistant steel neck bracketry.
2. The AUNI Diffuser has been designed to provide both the unobtrusive appearance for architectural excellence and engineered performance. Unique, concealed neck bracketry design is virtually invisible from a normal viewing position, giving the appearance that the plaque face floats below the backpan. There are no visible corner posts as on competitor's models to detract from the aesthetically clean design.
3. The diffuser delivers a tight 360° radial horizontal pattern allowing high turn down ratios with no dumping. Excellent for VAV systems.
4. The diffuser features a stamped one-piece outer-cone which eliminates mitered corners and a double skinned inner face panel with a hemmed edge for strength and a clean appearance.
5. A spring clip arrangement permits quick, easy installation and removal of the inner core assembly.
6. Standard finish is AW Appliance White.

OPTIONS:

- EX External Foil-Back Insulation, installed - R-4.2
- EXB External Foil-Back Insulation, ships loose - R-4.2
- EQT Earthquake Tabs

Finish:

- SP Special. Specify _____ .

QB Quadrant Blanks:

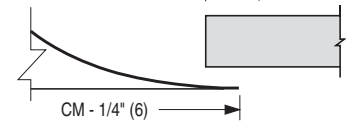
- QB3 3-Way Blow
- QC2 2-Way Corner Blow
- QB2 2-Way Opposite Blow
- QB1 1-Way Blow

TYPE L Surface Mount

Hard duct connection recommended.

CM = CEILING MODULE

CEILING OPENING = B



TYPE L Surface Mount With DFA

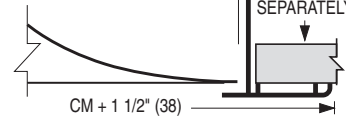
Drywall/Plaster frame. Recommended for flexible duct connection and ceiling access

CEILING OPENING = CM + 1/4\"/>

CM = CEILING MODULE

CM - 1/4\"/>

DFA
FRAME
(ORDERED
SEPARATELY)



SCHEDULE TYPE:	
PROJECT:	
ENGINEER:	
CONTRACTOR:	

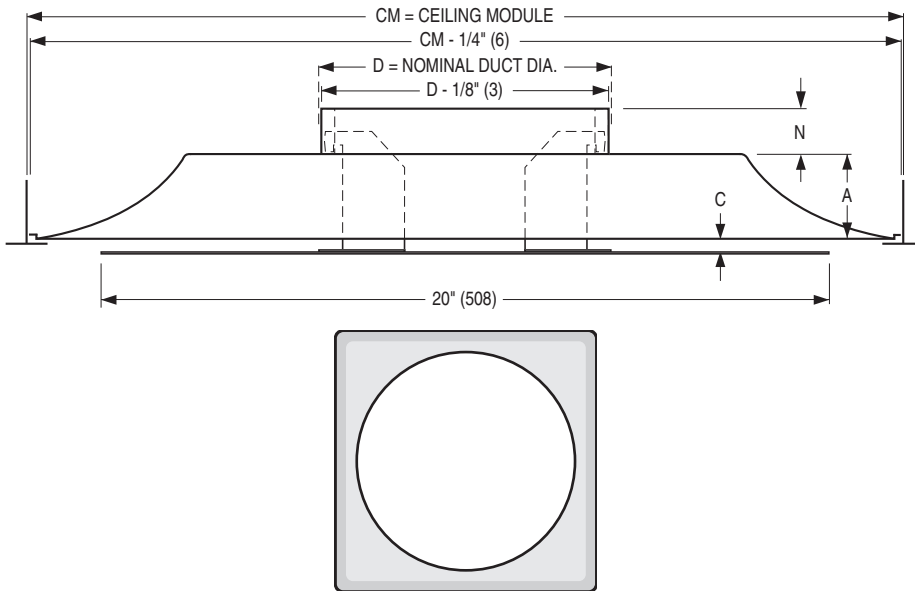
Dimensions are in inches (mm).

DATE	B SERIES	SUPERSEDES	DRAWING NO.
1 - 24 - 17	UNI	3 - 17 - 16	UNI-7



SQUARE CEILING DIFFUSER WITH ROUND PLAQUE FACE
ARCHITECTURAL • ROUND NECK • STEEL
MODEL: UNI-RP

TYPE L Lay-in T-Bar



Dimensional Data

CM		Imperial Units (inches)					Metric Units (mm)						
Imperial Modules	Metric Modules	Duct Size D	N	A	B	C	F	Duct Size D	N	A	B	C	F
24 x 24	600 x 600	6, 8, 10, 12, 14, 15	1 1/4	2 5/16	22	3/8	24 3/4	152, 203, 254, 305, 356, 381	32	59	559	10	629

DESCRIPTION:

1. Material: Corrosion-resistant steel.
2. The UNI-RP Diffuser has been designed to provide both the unobtrusive appearance for architectural excellence and engineered performance. Unique neck bracketry is virtually invisible from a normal viewing position, giving the appearance that the plaque face floats below the backpan. There are no visible corner posts as on competitor's models to detract from the aesthetically clean design.
3. The diffuser delivers a tight 360° radial horizontal pattern allowing high turn down ratios with no dumping. Excellent for VAV systems.
4. The diffuser features a stamped one-piece outer-cone which eliminates mitered corners and a round inner face panel with a clean appearance.
5. A spring clip arrangement permits quick, easy installation and removal of the inner core assembly.
6. Standard finish is AW Appliance White.

OPTIONS:

- EX External Foil-Back Insulation, installed - R-4.2
- EXB External Foil-Back Insulation, ships loose - R-4.2
- MIB Molded Insulation Blanket - R-6.0 (24 x 24 only)
- EQT Earthquake Tabs

Finish:

- SP Special. Specify _____.

QB Quadrant Blanks:

- QB3 3-Way Blow
- QC2 2-Way Corner Blow
- QB2 2-Way Opposite Blow
- QB1 1-Way Blow

Fineline® is a registered trademark of USG Interiors Inc.
 Dimensions are in inches (mm).

SCHEDULE TYPE:

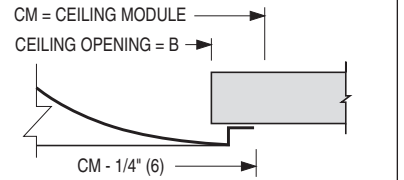
PROJECT:

ENGINEER:

CONTRACTOR:

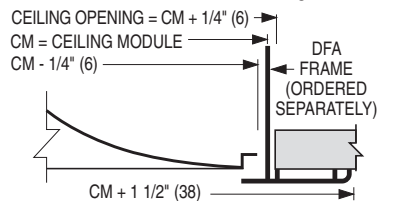
TYPE L Surface Mount

Hard duct connection recommended.

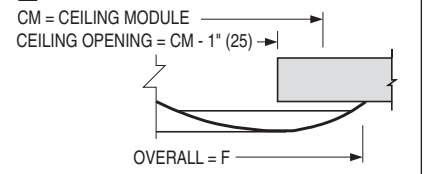


TYPE L Surface Mount With DFA

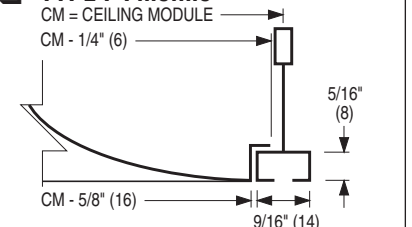
Drywall/Plaster frame. Recommended for flexible duct connection and ceiling access



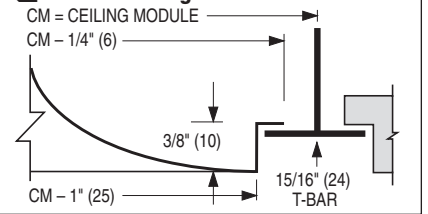
TYPE S Surface Mount



TYPE F Fineline®

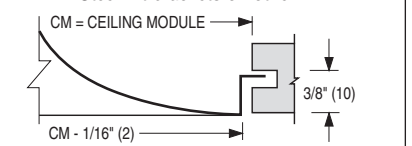


TYPE TL Tegular



TYPE SP Spline

For one directional exposed T-Bar or fully concealed grid. 1 spline on two opposite sides. Steel lift brackets on other.



DATE

B SERIES

SUPERSEDES

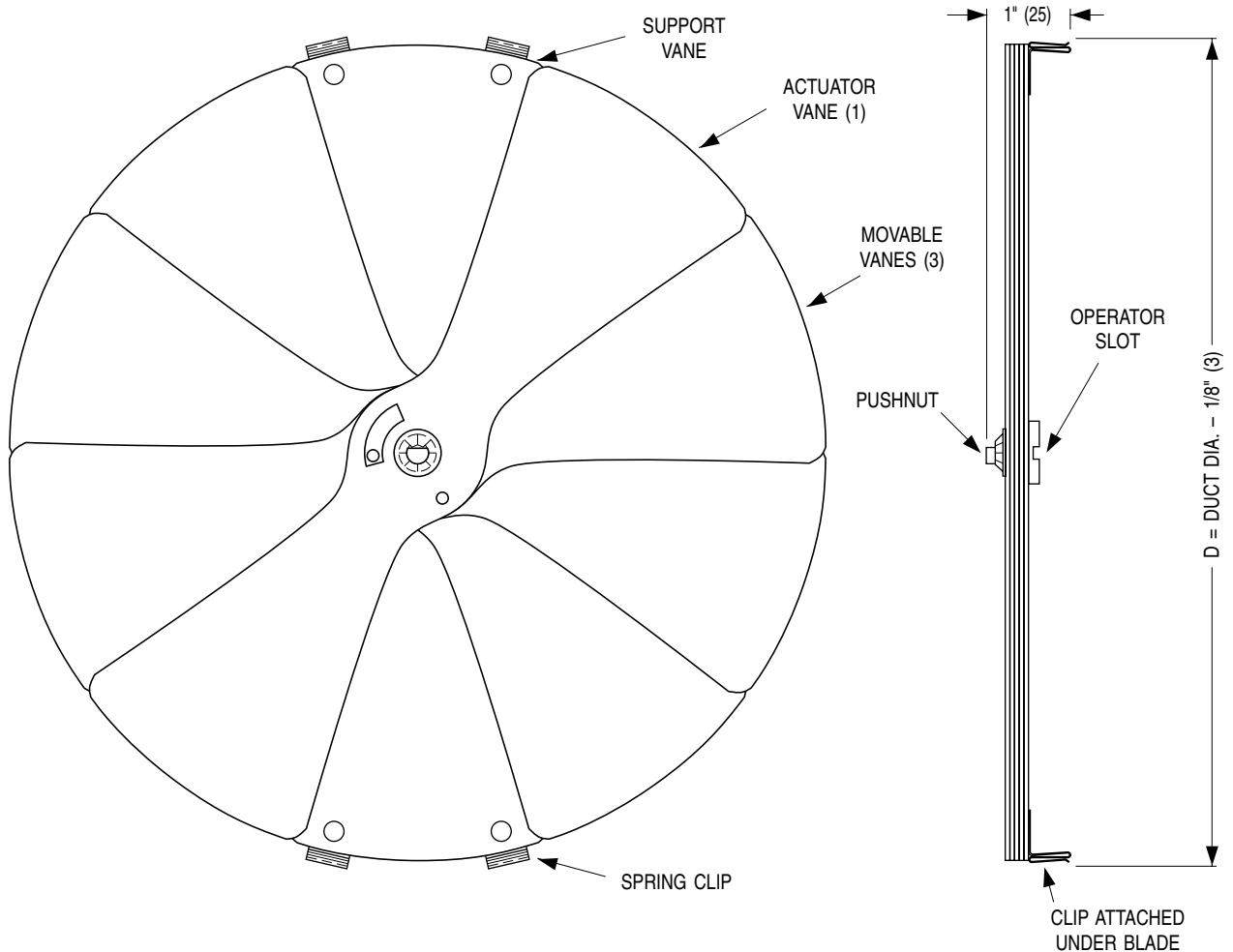
DRAWING NO.

1 - 24 - 17

UNI

3 - 11 - 16

UNI-RP


DESCRIPTION:

1. Material: Heavy gauge corrosion-resistant steel.
2. The Nailor Model 4250 is a neck mounted, radial sliding blade damper used in round neck diffuser applications to provide fine volume control.
3. Dampers have gang operated radial blades. Blades slide at right angles to the duct with protrusion above the diffuser neck, allowing the damper to work effectively in flexible duct applications.
4. The 4250 is neck mounted with steel barb clips providing secure attachment.
5. Adjustments are made at the screwdriver operator slot.
6. Available Sizes: 6", 8", 10", 12" and 14" (152, 203, 254, 305 and 356) dia..

SCHEDULE TYPE:
PROJECT:
ENGINEER:
CONTRACTOR:

Dimensions are in inches (mm).

DATE
B SERIES
SUPERSEDES
DRAWING NO.

10 - 24 - 01

ACC.DIF.

25 - 8 - 99R

ABD-4250



AIR BALANCING DEVICE RADIAL OPPOSED BLADE DAMPER STEEL • FOR ROUND NECK DIFFUSERS MODEL: 4275 (5" - 16" DIA.)

DESCRIPTION:

A unique method of controlling volume through a diffuser providing premium design quality and performance. The multi-blade perimeter design offers true radial flow at any setting.

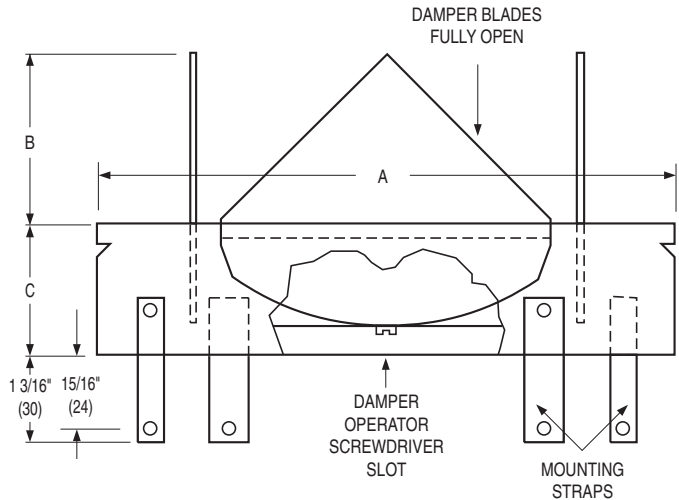
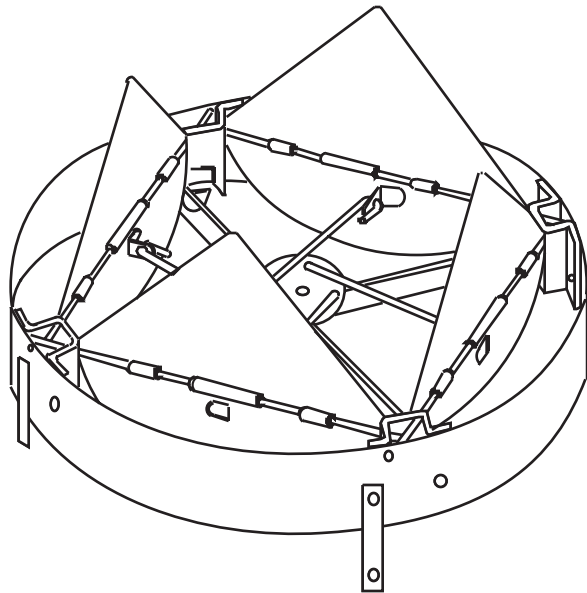
A screwdriver slot, accessible through the diffuser, requires only a half turn to adjust from fully closed to fully open. The damper is designed to fit directly on the neck of the diffuser. Simple convenient and accurate installation and operation.

OPERATION:

Size 5 through 8 are friction type. Use screwdriver and turn operator to adjust damper setting.

Size 10 through 16 use a detent mechanism to positively hold damper setting. Using screwdriver, lift up and turn operator to desired damper setting.

1. Material: Corrosion-resistant steel construction.
2. Damper mounts directly to diffuser collar.
3. Standard Finish: Mill.



	Nominal Size (inches)								Nominal Size (mm)							
	5	6	8	10	12	14	15	16	127	152	203	254	305	356	381	406
A	4 7/8	5 7/8	7 7/8	9 7/8	11 7/8	13 7/8	14 7/8	15 7/8	124	149	200	251	302	352	378	403
B	1 1/8	1 5/8	2 1/2	2 1/4	2 7/8	3 3/8	3 3/4	4 3/8	29	41	64	57	73	86	95	111
C	1 5/8				2 1/2				41				64			

SCHEDULE TYPE:

PROJECT:

ENGINEER:

CONTRACTOR:

Dimensions are in inches (mm).

DATE

B SERIES

SUPERSEDES

DRAWING NO.

8 - 29 - 05

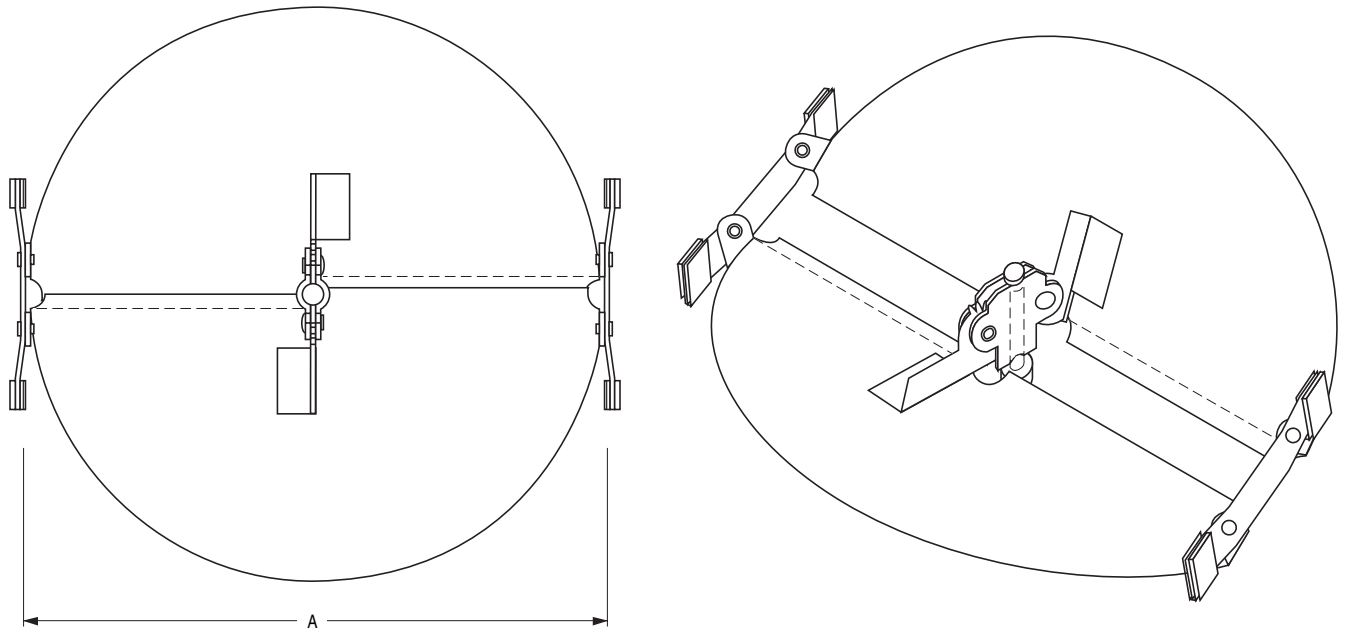
ABD

3 - 1 - 02

ABD-4275-1



**AIR BALANCING DEVICE
BUTTERFLY DAMPER
STEEL • FOR ROUND NECK DIFFUSERS
MODEL: 4675**

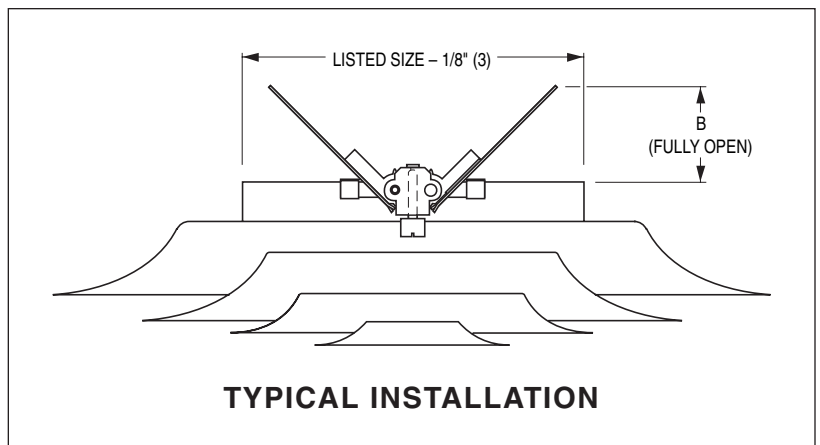


DESCRIPTION:

The Model 4675 Butterfly Damper is an economical damper for volume balancing in round neck diffusers. Adjustable friction pivots hold the blades at the required setting.

1. Material: Corrosion-resistant steel. Mill finish.
2. The 4675 damper mounts directly to diffuser collar. Not compatible with Model Series RNSA, RNR, RNRA1, 6300 or 6300R diffusers.
3. Screwdriver slot operator is adjustable from the face of the diffuser.

	Nominal Size (inches)					Nominal Size (mm)				
	6	8	10	12	14	152	203	254	305	356
A	5 7/8	7 7/8	9 7/8	11 7/8	13 7/8	149	200	251	302	352
B	2 1/2	3 1/2	4 1/2	5 1/2	6 1/2	64	89	114	140	165

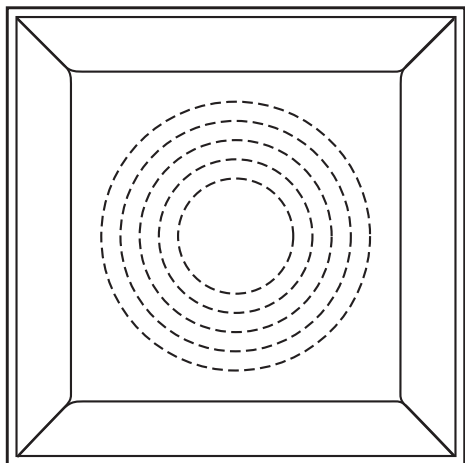
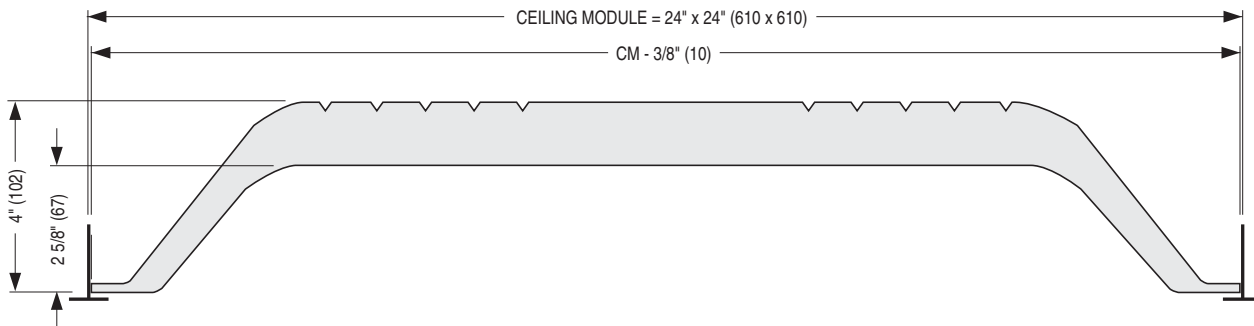


TYPICAL INSTALLATION

SCHEDULE TYPE:					Dimensions are in inches (mm).				
PROJECT:									
ENGINEER:					DATE	B SERIES	SUPERSEDES	DRAWING NO.	
CONTRACTOR:					11 - 14 - 08	ACC.DIF.	5 - 28 - 08	ABD-4675	



**MOLDED INSULATION BLANKET
CEILING DIFFUSER ACCESSORY
24" x 24" MODULE FOR CEILING DIFFUSERS
MODEL/ACCESSORY: MIB**



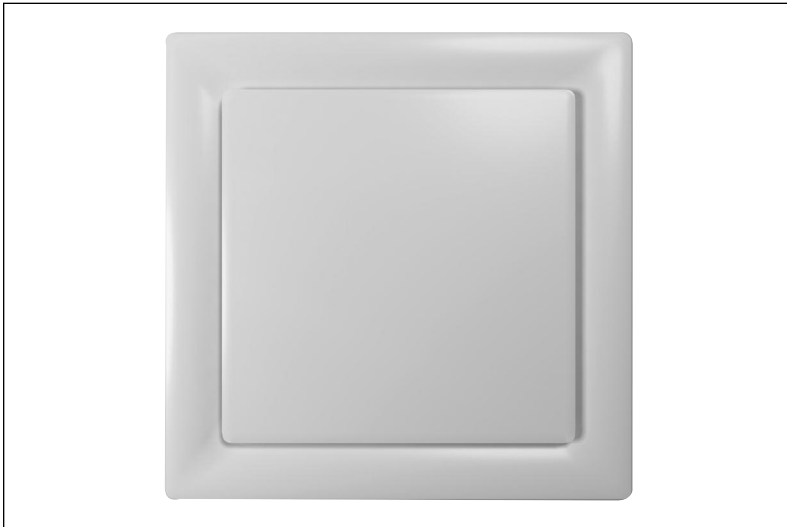
DESCRIPTION:

1. One piece molded fiberglass insulation blanket with foil back vapour barrier. 6.0 R-value.
2. Pre-scored plenum 6", 8", 10", 12" or 14" (152, 203, 254, 305 or 356) dia. for field cutting.
3. The Nailor Model MIB fits over the backpan of most full face 24" x 24" diffusers and provides thermal protection to reduce the risk of condensation forming on the diffuser face.
Compatible models include RNS, RNS2, RNS3, UNI, 6200, 6400, 6500 and 4320 series.
4. The Nailor Model MIB: resists ageing, thermal shock, is incombustible, immune to rot, corrosion, oxidation and insects.
5. Tested in compliance with surface burning characteristics (ASTM E-84) and erosion test (UL 181).
6. Standard finish has a black interior.

SCHEDULE TYPE:		Dimensions are in inches (mm).			
PROJECT:					
ENGINEER:	DATE	B SERIES	SUPERSEDES	DRAWING NO.	
CONTRACTOR:	1 - 16 - 17	MIB	2 - 1 - 11	MIB-1	



QUADRANT BLANKS FOR MODELS UNI AND AUNI ROUND NECK PLAQUE DIFFUSERS
CEILING DIFFUSER ACCESSORY
MODEL/ACCESSORY: 4695/QB



Model 4695 Quadrant Blanks are specifically designed for use with the UNI Series Square Plaque Ceiling Diffusers. The Quadrant Blanks are constructed of aluminum and the “notched” appearance of the flange features pre-cut grooves that form around the concealed neck bracketry in the diffuser to provide 1, 2, or 3-way discharge as required. The Quadrant Blanks are available for all neck sizes, (to blank-off areas greater than 90° [3-way blow], multiple quantities must be ordered. 2-way blow requires a quantity of two and 1-way blow requires a quantity of three, per diffuser. Quadrant blanks are shipped loose from the factory for trouble-free installation in the field [by others]).

****Nailor recommends that ALL Quadrant Blanks are affixed prior to installation of the diffuser****

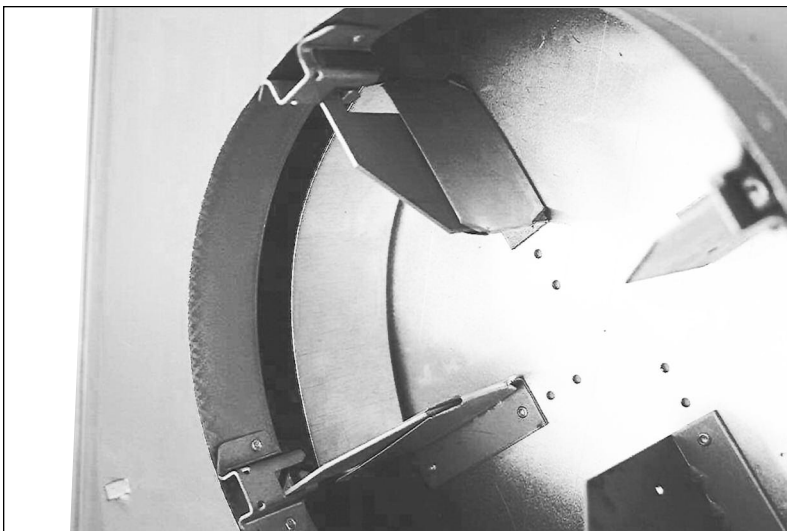
Pre-Installation (Required Items)

1. Protective eyewear or safety glasses
2. Pair of work gloves
3. Flat Head Screwdriver (UNI & UNI2 models)

Installation Instructions

1. A Quadrant Blank is a notched aluminum flange that is shipped loose from the factory and installed in the field (by others).
2. Prior to installation, gently bend the center of the Quadrant Blank flange to 90°, additionally bending the end notches to 90° for trouble-free installation.
3. Once the Quadrant Blank flange is formed properly, position the flange behind the neck bracketry, closest to the round inlet (in the desired location for directional blow). Prior to fastening into place, make sure that the flange is even on both sides of the neck bracketry and flush to the bottom of the backpan.
4. Installing one side at a time, form the end of the notch around the neck bracketry (once completed, repeat on the opposite side).

Note: To prevent excessive wear to the Quadrant Blanks, do not bend repeatedly!



Quadrant Blanks

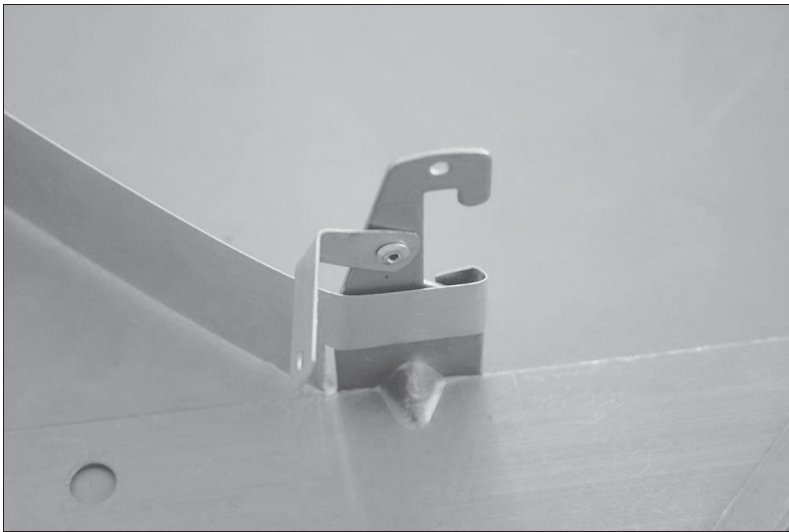
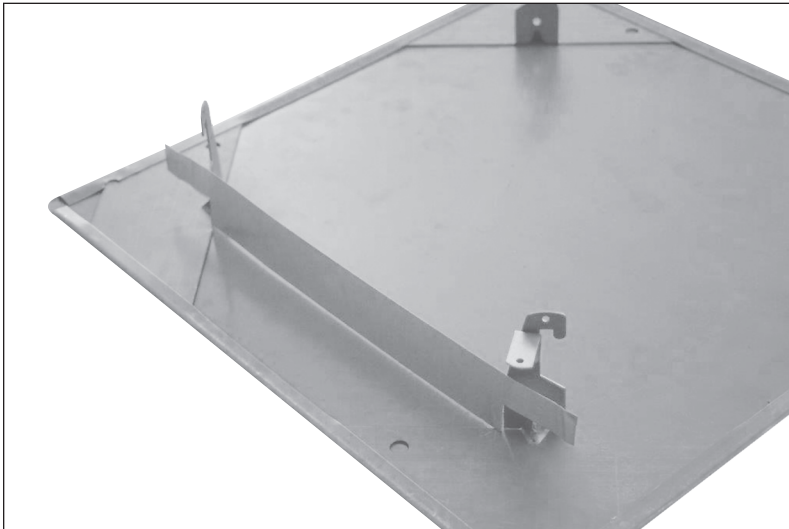
4695 QB for Models UNI, AUNI Round Neck Plaque Diffusers

- QB3 3-Way Blow
- QB2 2-Way Blow
- QC2 2-Way Corner Blow
- QB1 1-Way Blow

SCHEDULE TYPE:		Dimensions are in inches (mm).			
PROJECT:					
ENGINEER:	DATE	B SERIES	SUPERSEDES	DRAWING NO.	
CONTRACTOR:	7 - 29 - 16	QB	NEW	QB-1	



QUADRANT BLANKS FOR MODELS UNI2 AND AUNI2 SQUARE PLAQUE DIFFUSERS
CEILING DIFFUSER ACCESSORY
MODEL/ACCESSORY: 4693/QB



Quadrant Blanks

4693 for Models UNI2, AUNI2 Square Plaque Diffusers

- QB3 3-Way Blow
- QB2 2-Way Blow
- QC2 2-Way Corner Blow
- QB1 1-Way Blow

Model 4693 Quadrant Blanks are designed specifically for use with the UNI2 Series Square Plaque Ceiling Diffusers. The Quadrant Blanks are constructed of an aluminum T-shaped flange that forms around the corner post bracketry, providing 1, 2, or 3-way discharge as required. Quadrant Blanks are available in all neck sizes, (to blank-off areas greater than 90° [3-way blow], multiple quantities must be ordered. 2-way blow requires a quantity of two and 1-way blow requires a quantity of three per diffuser. Quadrant Blanks are shipped loose from the factory for trouble-free installation in the field by others).

****Nailor recommends that ALL Quadrant Blanks are affixed prior to installation of the diffuser****

Required Items

1. Protective eyewear or safety glasses
2. Pair of work gloves
3. Flat Head Screwdriver (UNI & UNI2 models)

Installation Instructions

1. The Quadrant Blank is shipped loose from the factory and shall be installed in the field (by others).
2. Prior to installation, position and center the T-shaped flange on the outside of the corner posts so that the extension ears are on top and the base of the flange is on the bottom, resting flush against the back of the plaque face. Flange ears shall be equal distance apart before folding around the corner post bracketry.
3. Carefully bend one side of the flange ears around the corner post bracketry (repeat on the opposite side of the post).
4. If installed properly, the base of the flange shall rest flush against the plaque face, ensuring that the airflow is restricted in that area. The ears of the flange shall be securely fastened around the corner post bracketry, equal distance apart on both sides, nearly touching the center of the corner post.

Note: To prevent excessive wear to the Quadrant Blanks, do not bend repeatedly!

SCHEDULE TYPE:		Dimensions are in inches (mm).			
PROJECT:					
ENGINEER:	DATE	B SERIES	SUPERSEDES	DRAWING NO.	
CONTRACTOR:	1 - 16 - 17	QB	7 - 29 - 16	QB-2	

Nailor offers a selection of standard colors and finishes available on our grilles, registers and diffusers. For painted finishes, our state-of-the-art paint systems provide environmentally friendly finishing solutions with uniform coverage and coating thickness. The result is an exceptionally durable finish that resists scratching, corrosion and general wear. Additional facilities for special requirements, as well as a selection of anodized or brushed finishes, complete our ability to provide unmatched beauty and durability for any application.

NAILOR POWDER COAT PROPERTIES

FILM THICKNESS	2.0 to 3.0 mils
HARDNESS	2 H
IMPACT RESISTANCE	Direct: 160 inch - lbs. Reverse 160 inch - lbs.
SALT SPRAY	1000 hours

ELECTROCOATING PROPERTIES

FILM THICKNESS	.8 to 1.2 mils
HARDNESS	HB TO H
IMPACT RESISTANCE	80 inch - lbs
SALT SPRAY	100 hours


POWDER COAT

Nailor's powder coat is a high-tech thermosetting polyester powder coating with superior physical properties that provide excellent color and gloss retention. The finish offers extreme durability and hardness that resists scratching, chipping and general wear. Surface preparation includes degreasing and a chemical cleaning followed by a clean rinse before a final powder coat finish is applied and baked. The environmentally friendly Nailor powder coat system assures uniform coverage and color consistency resulting in a long lasting superior finish. Colors, including simulated anodizing, which is far more economical than color anodizing, can be selected from Nailor's standard color chart or non-standard colors and can be matched from sample chips provided to Nailor.

ELECTROCOATING

E-Coat is an environmentally friendly coating that provides complete coverage and a wide range of performance properties, formulated to meet corrosion, durability and other performance specifications. Electrocoating is a highly automated process in which paint is electrically deposited onto a metal foundation. Film build thickness is uniform and overall application efficiencies are in excess of 90%. Paint is consistent on all part-to-part surfaces, preventing sags, runs or drips. E-Coat offers flexibility, better first yield pass and quicker production times compared to other forms of paint applications. Electrocoating is an excellent solution that offers superior properties and uniform finish.

CLEAR ANODIZING (Aluminum products only)

Clear anodizing is a clear oxide coating that exemplifies an aluminum surface's natural oxide coating producing a hard, scratch resistant surface that is resistant to general wear and mild chemicals. The process provides a natural looking, virtually maintenance free finish that will endure for many years.

COLOR ANODIZING (Aluminum products only)

Color anodizing is an electrolytic process where, after standard anodizing procedures, colored metallic pigments penetrate the oxide surface pores producing a corrosion resistant, colorfast finish. The process results in a natural metallic appearance that requires little maintenance.

BRUSHED AND CLEAR COAT

Available on specific aluminum products (consult applicable product page for availability). Surface is brushed to achieve a scratch finish texture before being degreased and chemically cleaned. A clear lacquer coating is then applied to provide a durable protective finish.

#4 BRUSHED SATIN POLISHED (Stainless Steel products only)

Surface is polished to ASTM A480 #4 standard to achieve a bright durable finish that is resistant to mild chemicals and corrosion. A final coating is not required due to the inherent anti-corrosion properties of the stainless steel.

PRIME COAT

Prime coat provides a stable base for painting in the field. Surface pretreatment includes degreasing and a chemical cleaning before an alkyd prime coat is applied. After a thorough cleaning for dust, etc. that can contaminate the final finish and cause premature flaking or peeling, finish coat should be field applied as soon as possible.

PAINT PREPARED ALUMINUM (Aluminum products only)

Allows for field applied paint. Surface preparation includes degreasing and a chemical cleaning followed by a clean rinse. Finish coat should be field applied as soon as possible.

MILL FINISH

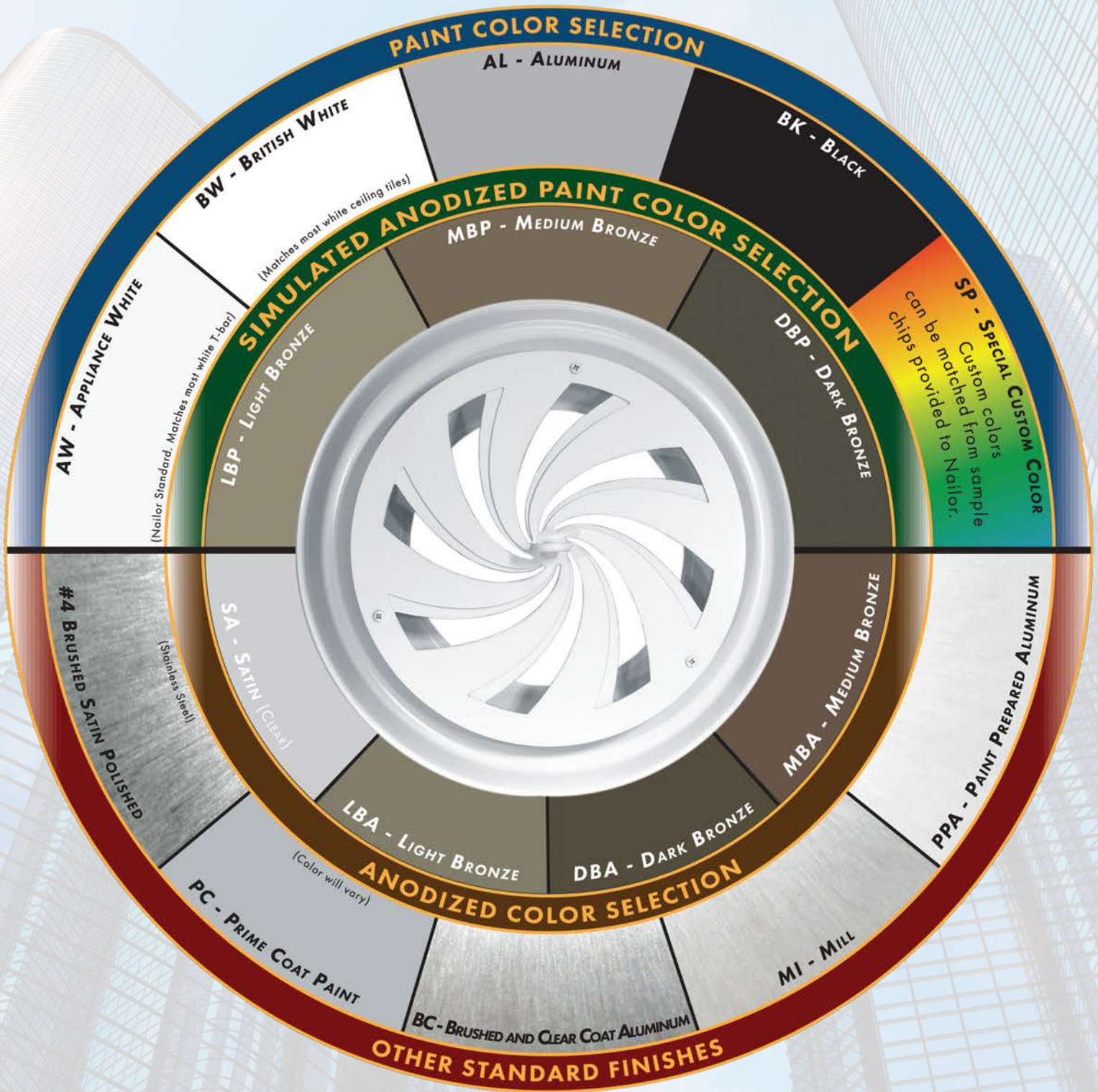
Surface is left untreated and requires cleaning, degreasing, etc. in the field before final finish can be applied if required.



Nailor[®]
Industries Inc.

STANDARD AND OPTIONAL FINISHES FOR GRILLES AND DIFFUSERS

The following standard colors and finishes are available on applicable Nailor air distribution products. Consult individual product pages for availability



The pictured finishes have been represented as best as possible within printing limitations. However, actual finish may vary. Contact your Nailor representative for a color chip sample on the material specified for a more accurate representation.

DBK - Black (for registers ordered with factory mounted dampers) - **BA** - Perforated Diffusers (4300 series only) Appliance White (AW) face with black back pan and pattern controllers.

"Complete Air Control and Distribution Solutions."

WGDSOF2015

www.nailor.com

PERFORMANCE DATA:

Models UNI and AUNI • 12 x 12 (300 x 300) Face Size • 4-way Blow (360° Pattern)

Nominal Neck Size	Neck Velocity, FPM	400	500	600	700	800	900	1000	1200	1400	1600
	Velocity Pressure	.010	.016	.023	.031	.040	.051	.063	.090	.122	.160
4" Dia.	Total Pressure	.023	.036	.051	.070	.091	.115	.142	.205	.279	.364
	Airflow, CFM	35	45	50	60	70	80	85	105	120	140
	Throw	1-2-3	1-2-4	2-2-5	2-3-6	2-3-6	2-4-7	3-4-7	3-5-7	4-6-7	5-7-8
	Noise Criteria	—	—	—	13	17	21	24	30	35	40
5" Dia.	Total Pressure	.027	.043	.061	.083	.109	.138	.170	.245	.334	.436
	Airflow, CFM	55	70	80	95	110	125	135	165	190	220
	Throw	2-2-4	2-3-5	2-3-6	3-4-7	3-5-8	4-6-9	4-7-9	4-8-10	5-8-10	6-9-11
	Noise Criteria	—	—	—	14	18	22	25	31	36	41
6" Dia.	Total Pressure	.033	.052	.074	.101	.131	.166	.205	.295	.402	.525
	Airflow, CFM	80	100	120	140	160	180	200	235	275	315
	Throw	2-3-5	3-4-6	3-5-7	4-5-8	5-6-9	5-7-10	5-8-10	6-9-11	7-10-12	7-10-13
	Noise Criteria	—	—	10	15	19	23	26	32	37	42
7" Dia.	Total Pressure	.056	.089	.127	.172	.225	.285	.352	.506	.689	.900
	Airflow, CFM	105	135	160	190	215	240	265	320	375	430
	Throw	3-4-6	3-5-7	4-6-9	4-7-10	5-8-10	6-8-11	6-9-12	7-10-13	8-11-14	9-12-15
	Noise Criteria	—	—	11	16	20	24	27	33	38	43
8" Dia.	Total Pressure	.067	.105	.160	.205	.268	.340	.418	.600	.821	1.070
	Airflow, CFM	140	175	210	245	280	315	350	420	490	560
	Throw	3-5-7	4-6-9	5-7-10	6-8-11	6-9-12	7-9-13	7-10-14	8-11-15	9-12-16	9-12-17
	Noise Criteria	—	—	12	17	21	25	28	34	39	44

Models UNI and AUNI • 20 x 20 (500 x 500) Face Size • 4-way Blow (360° Pattern)

Nominal Neck Size	Neck Velocity, FPM	400	500	600	700	800	900	1000	1200	1400	1600
	Velocity Pressure	.010	.016	.023	.031	.040	.051	.063	.090	.122	.160
6" Dia.	Total Pressure	.014	.021	.031	.042	.055	.070	.086	.124	.168	.220
	Airflow, CFM	80	100	120	140	160	180	200	235	275	315
	Throw	1-3-5	2-3-4	2-4-5	2-4-6	2-5-6	3-4-7	3-5-8	4-6-9	4-6-10	5-6-10
	Noise Criteria	—	—	—	—	14	18	22	28	34	39
8" Dia.	Total Pressure	.019	.029	.042	.057	.074	.094	.116	.167	.227	.296
	Airflow, CFM	140	175	210	245	280	315	350	420	490	560
	Throw	2-2-4	2-3-5	2-3-7	3-4-8	3-5-9	4-6-9	5-7-10	6-8-11	7-9-12	8-10-13
	Noise Criteria	—	—	—	13	18	22	26	32	38	43
10" Dia.	Total Pressure	.031	.049	.071	.096	.126	.159	.196	.283	.385	.503
	Airflow, CFM	220	270	330	380	435	490	545	655	765	875
	Throw	3-4-7	3-5-9	3-5-10	4-6-12	5-7-13	6-8-12	7-9-14	8-11-15	10-12-17	11-13-18
	Noise Criteria	—	—	10	16	21	25	29	35	41	46

Performance Notes:

- Throws are given at 150, 100 and 50 fpm terminal velocities under isothermal conditions.
- All pressures are in inches w.g.. To obtain static pressure, subtract the velocity pressure from the total pressure.
- Return Applications:

Use the following correction factors with the supply data.

Noise Criteria = + 3 Noise Criteria (NC)

Negative Static Pressure = Total Pressure x .45

- Noise Criteria (NC) values are based upon 10dB room absorption, re 10⁻¹² watts. Dash (—) in space indicates a Noise Criteria of less than 10.

- Data derived from tests conducted in accordance with ANSI/ASHRAE Standard 70 – 2006.

Neck Size Diameter in Inches	Nominal Overall Face Size	Ak Factor
6	12 x 12	.105
8	12 x 12	.129
6	24 x 24	.206
8	24 x 24	.248
10	24 x 24	.315
12	24 x 24	.384
14	24 x 24	.437
15	24 x 24	.485

PERFORMANCE DATA:

Models UNI and AUNI • 24 x 24 (600 x 600) Face Size • 4-way Blow (360° Pattern)

Nominal Neck Size	Neck Velocity, FPM	400	500	600	700	800	900	1000	1200	1400	1600
	Velocity Pressure	.010	.016	.023	.031	.040	.051	.063	.090	.122	.160
6" Dia.	Total Pressure	.010	.020	.030	.041	.053	.068	.084	.120	.164	.214
	Airflow, CFM	80	100	120	140	160	180	200	235	275	315
	Throw	1-3-4	1-3-4	2-4-5	2-4-6	2-5-6	3-4-7	3-5-8	4-6-9	4-6-10	5-6-10
	Noise Criteria	—	—	—	—	14	18	22	28	34	39
8" Dia.	Total Pressure	.018	.028	.037	.056	.072	.092	.112	.162	.220	.288
	Airflow, CFM	140	175	210	245	280	315	350	420	490	560
	Throw	2-2-4	2-3-5	2-3-7	3-4-8	3-5-9	4-6-9	5-7-10	6-8-11	7-9-12	8-10-13
	Noise Criteria	—	—	—	13	18	22	26	32	38	43
10" Dia.	Total Pressure	.031	.048	.069	.093	.122	.155	.191	.275	.375	.489
	Airflow, CFM	220	270	330	380	435	490	545	655	765	870
	Throw	3-4-7	3-5-9	3-5-10	4-6-12	5-7-13	5-8-12	7-9-14	8-11-15	10-12-17	11-13-18
	Noise Criteria	—	—	10	16	21	25	29	35	41	46
12" Dia.	Total Pressure	.040	.063	.090	.123	.161	.203	.251	.361	.492	.643
	Airflow, CFM	315	390	470	550	630	705	785	940	1100	1255
	Throw	4-5-10	4-7-13	5-8-14	7-9-16	8-11-17	8-12-17	10-14-19	11-15-20	14-17-23	16-18-25
	Noise Criteria	—	—	13	19	24	28	32	38	44	49
14" Dia.	Total Pressure	.054	.083	.120	.163	.214	.270	.334	.481	.655	.855
	Airflow, CFM	425	530	635	745	850	955	1060	1270	1490	1695
	Throw	5-7-14	6-9-16	7-11-18	10-13-20	11-15-23	11-17-23	14-19-26	16-21-28	19-22-31	20-24-33
	Noise Criteria	—	—	15	21	26	30	34	40	46	51
15" Dia.	Total Pressure	.065	.102	.147	.200	.260	.330	.408	.588	.799	1.044
	Airflow, CFM	490	615	735	860	985	1110	1230	1470	1720	1970
	Throw	6-9-17	7-11-19	9-13-21	11-16-24	14-19-26	14-20-27	16-21-30	19-24-33	23-26-35	23-27-38
	Noise Criteria	—	—	16	22	27	31	35	41	47	52

Performance Notes:

- Throws are given at 150, 100 and 50 fpm terminal velocities under isothermal conditions.
- All pressures are in inches w.g.. To obtain static pressure, subtract the velocity pressure from the total pressure.
- Return Applications:
Use the following correction factors with the supply data.
Noise Criteria = + 3 Noise Criteria (NC)
Negative Static Pressure = Total Pressure x .45

- Noise Criteria (NC) values are based upon 10dB room absorption, re 10⁻¹² watts. Dash (—) in space indicates an Noise Criteria of less than 10.
- Data derived from tests conducted in accordance with ANSI/ASHRAE Standard 70 – 2006.

Neck Size Diameter in Inches	Nominal Overall Face Size	Ak Factor
6	12 x 12	.105
8	12 x 12	.129
6	24 x 24	.206
8	24 x 24	.248
10	24 x 24	.315
12	24 x 24	.384
14	24 x 24	.437
15	24 x 24	.485

PERFORMANCE DATA:

Models UNI and AUNI • 12 x 12 (300 x 300) Face Size • 3-way Blow

Nominal Neck Size	Neck Velocity, FPM	300	400	500	600	700	800	900	1000	1200	1400
	Velocity Pressure	.006	.010	.016	.023	.031	.040	.051	.063	.090	.122
6" Dia.	Total Pressure	.035	.061	.096	.138	.188	.245	.311	.383	.529	.725
	Airflow, CFM	60	80	100	120	140	160	180	200	235	275
	Throw	2-4-6	3-6-9	5-7-9	5-8-10	6-9-12	7-9-13	7-10-14	8-11-15	8-12-16	9-13-17
	Noise Criteria	—	—	12	18	23	27	31	34	40	45
8" Dia.	Total Pressure	.076	.135	.211	.304	.414	.540	.684	.844	1.215	1.654
	Airflow, CFM	105	140	175	210	245	280	315	350	420	490
	Throw	3-5-7	5-7-10	5-8-11	6-9-12	7-10-13	7-10-14	8-11-15	9-12-16	9-12-17	10-13-18
	Noise Criteria	—	—	14	20	25	29	33	36	42	47

Models UNI and AUNI • 24 x 24 (600 x 600) Face Size • 3-Way Blow

Nominal Neck Size	Neck Velocity, FPM	300	400	500	600	700	800	900	1000	1200	1400
	Velocity Pressure	.006	.010	.016	.023	.031	.040	.051	.063	.090	.122
6" Dia.	Total Pressure	.010	.018	.028	.041	.055	.072	.091	.113	.155	.213
	Airflow, CFM	60	80	100	120	140	160	180	200	235	275
	Throw	1-3-4	1-3-4	2-4-5	2-5-6	3-4-7	4-5-8	4-6-9	4-6-10	5-6-10	6-7-11
	Noise Criteria	—	—	—	11	17	22	26	30	36	42
8" Dia.	Total Pressure	.016	.028	.043	.062	.085	.111	.140	.173	.249	.339
	Airflow, CFM	105	140	175	210	245	280	315	350	420	490
	Throw	2-2-4	2-3-6	3-4-8	3-5-8	4-6-9	5-7-10	6-8-11	7-9-12	8-10-13	9-11-14
	Noise Criteria	—	—	—	15	21	26	30	34	40	46
10" Dia.	Total Pressure	.032	.057	.085	.127	.169	.221	.281	.347	.501	.684
	Airflow, CFM	165	220	270	330	380	435	490	545	655	765
	Throw	3-4-7	3-5-9	4-6-10	5-7-11	5-8-12	7-10-13	8-11-15	9-12-16	11-13-18	12-14-19
	Noise Criteria	—	—	—	18	24	29	33	37	43	49
12" Dia.	Total Pressure	.043	.077	.118	.171	.235	.308	.386	.478	.686	.939
	Airflow, CFM	235	315	390	470	550	630	705	785	940	1100
	Throw	4-5-10	5-7-13	6-9-15	8-11-17	9-13-18	10-14-19	11-15-20	13-16-22	16-18-25	18-21-28
	Noise Criteria	—	—	12	21	27	32	36	40	46	52
14" Dia.	Total Pressure	.060	.106	.165	.237	.326	.425	.536	.661	.949	1.306
	Airflow, CFM	320	425	530	635	745	850	955	1060	1270	1490
	Throw	5-7-14	6-9-16	9-12-19	11-15-23	12-18-24	14-19-26	16-21-28	19-21-30	20-24-33	21-26-35
	Noise Criteria	—	—	14	23	29	34	38	42	48	54
15" Dia.	Total Pressure	.074	.130	.205	.293	.401	.526	.668	.820	1.172	1.604
	Airflow, CFM	370	490	615	735	860	985	1110	1230	1470	1720
	Throw	6-9-17	8-12-20	11-16-24	14-19-26	14-20-27	17-22-31	19-24-33	22-25-35	23-27-38	24-29-40
	Noise Criteria	—	—	15	24	30	35	39	43	49	55

Performance Notes:

1. Throws are given at 150, 100 and 50 fpm terminal velocities under isothermal conditions.

2. All pressures are in inches w.g.. To obtain static pressure, subtract the velocity pressure from the total pressure.

3. Noise Criteria (NC) values are based upon 10dB room absorption, re 10⁻¹² watts. Dash (—) in space indicates an Noise Criteria of less than 10.

4. Data derived from tests conducted in accordance with ANSI/ASHRAE Standard 70 – 2006.

Neck Size Diameter in Inches	Nominal Overall Face Size	Ak Factor
6	12 x 12	.079
8	12 x 12	.098
6	24 x 24	.155
8	24 x 24	.186
10	24 x 24	.236
12	24 x 24	.288
14	24 x 24	.328
15	24 x 24	.364

PERFORMANCE DATA:

Models UNI and AUNI • 12 x 12 (300 x 300) Face Size • 2-way Blow

Nominal Neck Size	Neck Velocity, FPM	200	300	400	500	600	700	800	900	1000	1200
	Velocity Pressure	.003	.006	.010	.016	.023	.031	.040	.051	.063	.090
6" Dia.	Total Pressure	.032	.071	.126	.198	.284	.387	.506	.640	.790	1.091
	Airflow, CFM	40	60	80	100	120	140	160	180	200	235
	Throw	2-4-6	4-6-9	5-8-10	6-9-12	7-9-13	8-11-15	8-12-16	9-12-17	9-13-18	10-13-19
	Noise Criteria	—	—	16	22	25	30	34	38	41	47
8" Dia.	Total Pressure	.074	.166	.294	.460	.662	.902	1.178	1.491	1.840	2.650
	Airflow, CFM	70	105	140	175	210	245	280	315	350	420
	Throw	3-5-7	5-7-10	6-9-12	7-10-14	8-11-15	9-12-16	9-12-17	10-12-18	10-13-19	11-14-20
	Noise Criteria	—	11	18	24	27	32	36	40	43	49

Models UNI and AUNI • 24 x 24 (600 x 600) Face Size • 2-Way Blow

Nominal Neck Size	Neck Velocity, FPM	300	400	500	600	700	800	900	1000	1200	1400
	Velocity Pressure	.006	.010	.016	.023	.031	.040	.051	.063	.090	.122
6" Dia.	Total Pressure	.007	.016	.028	.043	.063	.085	.111	.141	.174	.240
	Airflow, CFM	40	60	80	100	120	140	160	180	200	235
	Throw	1-3-4	2-4-5	2-5-6	3-4-7	4-6-9	4-6-10	5-6-10	6-7-11	6-8-12	7-9-13
	Noise Criteria	—	—	—	12	18	24	29	33	37	43
8" Dia.	Total Pressure	.013	.028	.050	.078	.113	.153	.200	.253	.313	.450
	Airflow, CFM	70	105	140	175	210	245	280	315	350	420
	Throw	2-2-4	2-3-7	3-5-9	5-7-9	6-8-11	7-9-12	8-10-13	9-11-14	10-12-15	11-13-17
	Noise Criteria	—	—	—	16	22	28	33	37	41	47
10" Dia.	Total Pressure	.029	.065	.115	.174	.259	.344	.451	.572	.707	1.022
	Airflow, CFM	110	165	220	270	330	380	435	490	545	655
	Throw	3-4-7	3-5-10	5-7-13	7-9-14	8-11-15	10-12-17	11-13-18	11-14-18	12-15-19	13-17-22
	Noise Criteria	—	—	12	19	25	31	36	41	44	50
12" Dia.	Total Pressure	.042	.09	.162	.248	.36	.493	.647	.811	1.005	1.441
	Airflow, CFM	160	235	315	390	470	550	630	705	785	940
	Throw	4-5-10	5-8-14	8-11-17	10-14-19	11-15-20	14-17-23	16-18-25	16-19-25	18-21-27	19-22-29
	Noise Criteria	—	—	15	22	28	34	39	43	47	53
14" Dia.	Total Pressure	.056	.130	.229	.356	.511	.704	.916	1.156	1.425	2.045
	Airflow, CFM	210	320	425	530	635	745	850	955	1060	1270
	Throw	5-7-14	7-11-18	11-15-23	14-19-26	16-21-28	19-22-31	20-24-33	20-26-33	23-28-36	25-30-38
	Noise Criteria	—	—	17	24	30	36	41	45	49	55
15" Dia.	Total Pressure	.071	.161	.283	.446	.637	.872	1.144	1.453	1.784	2.548
	Airflow, CFM	245	370	490	615	735	860	985	1110	1230	1470
	Throw	6-9-17	9-13-21	14-19-26	16-21-30	19-24-33	23-26-35	23-27-38	23-28-39	25-29-42	28-31-42
	Noise Criteria	—	10	18	25	31	37	42	46	50	56

Performance Notes:

1. Throws are given at 150, 100 and 50 fpm terminal velocities under isothermal conditions.

2. All pressures are in inches w.g.. To obtain static pressure, subtract the velocity pressure from the total pressure.

3. Noise Criteria (NC) values are based upon 10dB room absorption, re 10⁻¹² watts. Dash (—) in space indicates an Noise Criteria of less than 10.

4. Data derived from tests conducted in accordance with ANSI/ASHRAE Standard 70 – 2006.

Neck Size Diameter in Inches	Nominal Overall Face Size	Ak Factor
6	12 x 12	.053
8	12 x 12	.065
6	24 x 24	.103
8	24 x 24	.124
10	24 x 24	.158
12	24 x 24	.192
14	24 x 24	.219
15	24 x 24	.243

PERFORMANCE DATA:

Models UNI2, AUNI2 and UNI2-HH • 24 x 24 (600 x 600) Face Size • 4-Way Blow (360° Pattern)

Nominal Neck Size	Neck Velocity, FPM	400	500	600	700	800	900	1000	1200	1400	1600
	Velocity Pressure	.010	.016	.023	.031	.040	.051	.063	.090	.122	.160
6" Dia.	Total Pressure	.010	.020	.030	.041	.053	.068	.084	.120	.164	.214
	Airflow, CFM	80	100	120	140	160	180	200	235	275	315
	Throw	1-3-4	1-3-4	2-4-5	2-4-6	2-5-6	3-4-7	3-5-8	4-6-9	4-6-10	5-6-10
	Noise Criteria	—	—	—	—	14	18	22	28	34	39
8" Dia.	Total Pressure	.018	.028	.037	.056	.072	.092	.112	.162	.220	.288
	Airflow, CFM	140	175	210	245	280	315	350	420	490	560
	Throw	2-2-4	2-3-5	2-3-7	3-4-8	3-5-9	4-6-9	5-7-10	6-8-11	7-9-12	8-10-13
	Noise Criteria	—	—	—	13	18	22	26	32	38	43
10" Dia.	Total Pressure	.031	.048	.069	.093	.122	.155	.191	.275	.375	.489
	Airflow, CFM	220	270	330	380	435	490	545	655	765	870
	Throw	3-4-7	3-5-9	3-5-10	4-6-12	5-7-13	5-8-13	7-9-14	8-11-15	10-12-17	11-13-18
	Noise Criteria	—	—	10	16	21	25	29	35	41	46
12" Dia.	Total Pressure	.040	.063	.090	.123	.161	.203	.251	.361	.492	.643
	Airflow, CFM	315	390	470	550	630	705	785	940	1100	1255
	Throw	4-5-10	4-7-13	5-8-14	7-9-16	8-11-17	8-12-17	10-14-19	11-15-20	14-17-23	16-18-25
	Noise Criteria	—	—	13	19	24	28	32	38	44	49
14" Dia.	Total Pressure	.054	.083	.120	.163	.214	.270	.334	.481	.655	.855
	Airflow, CFM	425	530	635	745	850	955	1060	1270	1490	1695
	Throw	5-7-14	6-9-16	7-11-18	10-13-20	11-15-23	11-17-23	14-19-26	16-21-28	19-22-31	20-24-33
	Noise Criteria	—	—	15	21	26	30	34	40	46	51
15" Dia.	Total Pressure	.065	.102	.147	.200	.260	.330	.408	.588	.799	1.044
	Airflow, CFM	490	615	735	860	985	1110	1230	1470	1720	1970
	Throw	6-9-17	7-11-19	9-13-21	11-16-24	14-19-26	14-20-27	16-21-30	19-24-33	23-26-35	23-27-38
	Noise Criteria	—	—	16	22	27	31	35	41	47	52

Performance Notes:

1. Throws are given at 150, 100 and 50 fpm terminal velocities under isothermal conditions.
2. All pressures are in inches w.g.. To obtain static pressure, subtract the velocity pressure from the total pressure.

3. Noise Criteria (NC) values are based upon 10dB room absorption, re 10⁻¹² watts. Dash (—) in space indicates an Noise Criteria of less than 10.
4. Data derived from tests conducted in accordance with ANSI/ASHRAE Standard 70 – 2006.

Neck Size Diameter in Inches	Nominal Overall Face Size	Ak Factor
6	24 x 24	.206
8	24 x 24	.248
10	24 x 24	.315
12	24 x 24	.384
14	24 x 24	.437
15	24 x 24	.485

PERFORMANCE DATA:

Model UNI2-DI • 24 x 24 (600 x 600) Face Size • Dual Inlet Diffuser

Cond. Neck Size	Vent. Neck Size											
8" Dia.	4" Dia.	Total Pressure	.01	.02	.03	.05	.06	.08	.09	.13	.18	.24
		Total CFM	140	175	209	244	279	314	349	419	489	559
		Prim CFM	105	131	157	183	209	236	262	329	399	469
		Vent CFM	35	44	52	61	70	79	87	90	90	90
		Throw	2-3-6	2-4-7	3-4-9	3-5-10	4-6-12	4-6-12	5-7-13	6-9-14	7-10-15	8-12-16
		Noise Criteria	—	—	—	—	—	20	24	31	36	41
10" Dia.	4" Dia.	Total Pressure	.02	.04	.05	.07	.09	.12	.15	.21	.29	.37
		Total CFM	218	273	327	382	436	491	545	654	764	873
		Prim CFM	164	205	245	292	346	401	455	564	674	783
		Vent CFM	55	68	82	90	90	90	90	90	90	90
		Throw	3-4-8	3-5-10	4-6-12	5-7-13	5-8-14	6-9-15	7-10-16	8-12-18	10-13-19	11-14-20
		Noise Criteria	—	—	—	13	18	22	26	32	38	43
12" Dia.	6" Dia.	Total Pressure	.02	.04	.06	.09	.12	.16	.20	.24	.35	.48
		Total CFM	236	314	393	471	550	638	707	785	942	1100
		Prim CFM	177	236	295	353	413	479	530	585	742	900
		Vent CFM	59	79	98	118	138	160	177	200	200	200
		Throw	3-4-8	4-5-11	4-7-13	5-8-15	6-9-16	7-11-17	8-12-18	9-13-19	11-15-21	13-16-23
		Noise Criteria	—	—	—	13	19	24	28	32	38	44
14" Dia.	6" Dia.	Total Pressure	.03	.06	.09	.13	.17	.23	.29	.36	.43	.51
		Total CFM	321	428	535	641	748	855	962	1069	1176	1283
		Prim CFM	241	321	401	481	548	655	762	869	976	1083
		Vent CFM	80	107	134	160	200	200	200	200	200	200
		Throw	3-5-10	4-7-13	6-8-16	7-10-17	8-12-19	9-13-20	10-15-21	11-16-23	12-17-24	13-17-25
		Noise Criteria	—	—	12	19	24	29	33	37	41	44

Performance Notes:

- Throws are given at 150, 100 and 50 fpm terminal velocities under isothermal conditions.
- All pressures are in inches w.g.. Total Pressure is based on total airflow. Minimum Ventilation Inlet Static Pressure = Total Pressure.
- Maximum ventilation inlet airflow based on 1000 fpm.
- Noise Criteria (NC) values are based upon 10dB room absorption, re 10⁻¹² watts. Dash (—) in space indicates a Noise Criteria of less than 10.
- Data derived from tests conducted in accordance with ANSI/ASHRAE Standard 70 – 2006.

PERFORMANCE DATA:

Model UNI2-HI • 24 x 24 (600 x 600) Face Size • High Induction

Nominal Neck Size	Neck Velocity, FPM	200	300	400	500	600	700	800	900	1000	1200
	Velocity Pressure	.003	.006	.010	.016	.023	.031	.040	.051	.063	.090
6" Dia.	Total Pressure	.005	.011	.020	.031	.044	.059	.076	.096	.118	.161
	Airflow, CFM	40	60	80	100	120	140	160	180	200	235
	Throw	1-1-1	1-1-1	1-1-2	1-1-3	1-1-3	1-1-4	1-2-4	1-2-4	1-2-5	1-2-5
	Noise Criteria	—	—	—	—	15	20	24	27	30	35
8" Dia.	Total Pressure	.008	.016	.032	.050	.072	.098	.128	.161	.199	.285
	Airflow, CFM	70	100	140	175	210	245	280	315	350	420
	Throw	1-1-2	1-1-4	1-3-6	2-3-7	2-4-8	3-5-9	3-5-10	4-6-10	4-6-11	4-7-12
	Noise Criteria	—	—	—	16	22	26	31	34	37	43
10" Dia.	Total Pressure	.012	.025	.045	.068	.102	.136	.179	.228	.283	.411
	Airflow, CFM	110	165	220	270	330	380	435	490	545	655
	Throw	1-1-4	2-3-8	3-5-10	4-6-12	5-8-14	6-9-15	6-10-16	7-10-17	7-11-18	8-12-20
	Noise Criteria	—	—	15	22	38	33	38	46	45	52
12" Dia.	Total Pressure	.021	.046	.086	.132	.191	.261	.343	.429	.532	.763
	Airflow, CFM	155	230	315	390	470	550	630	705	785	940
	Throw	2-4-9	5-7-13	7-9-16	8-11-18	9-13-19	10-14-21	11-15-22	12-16-23	13-17-24	14-18-26
	Noise Criteria	—	—	21	28	33	38	42	45	48	53
14" Dia.	Total Pressure	.032	.072	.125	.193	.276	.380	.494	.623	.767	1.100
	Airflow, CFM	210	320	425	530	635	745	850	955	1060	1270
	Throw	5-8-14	8-12-18	10-14-21	12-16-24	14-18-26	15-19-27	16-21-29	17-22-30	18-23-31	19-24-33
	Noise Criteria	—	18	26	32	37	42	45	49	52	57

Performance Notes:

1. Throws are given at 150, 100 and 50 fpm terminal velocities under isothermal conditions.

2. All pressures are in inches w.g.. To obtain static pressure, subtract the velocity pressure from the total pressure.

3. Noise Criteria (NC) values are based upon 10dB room absorption, re 10⁻¹² watts. Dash (—) in space indicates a Noise Criteria of less than 15.

4. Data derived from tests conducted in accordance with ANSI/ASHRAE Standard 70 – 2006.

PERFORMANCE DATA:

Model UNI2-JN • 24 x 24 (600 x 600) Face Size • Jet Nozzle

Nominal Neck Size	Neck Velocity, FPM	250	300	350	400	450	500	600
	Velocity Pressure, Inches w.g.	.004	.006	.008	.010	.013	.016	.022
4" Dia.	Total Pressure, Inches w.g.	.098	.142	.193	.252	.319	.393	.566
	Airflow, CFM	22	26	31	35	39	44	52
	Throw, Feet	5-7-13	6-9-15	7-10-17	8-11-18	9-13-19	10-14-20	12-17-22
	Noise Criteria (NC)	-	-	-	-	15	17	19

Nominal Neck Size	Neck Velocity, FPM	100	125	155	180	205	230	255
	Velocity Pressure, Inches w.g.	.001	.001	.001	.002	.003	.003	.004
6" Dia.	Total Pressure, Inches w.g.	.077	.120	.185	.249	.323	.406	.500
	Airflow, CFM	20	25	30	35	40	45	50
	Throw, Feet	5-6-11	6-8-14	7-10-17	8-12-18	9-13-19	10-15-20	11-16-21
	Noise Criteria (NC)	-	-	-	-	15	17	18

Performance Notes:

1. Throw values are given at 50, 35 and 20 fpm terminal velocities under isothermal conditions.
2. All pressures are in inches w.g.. To obtain static pressure, subtract the velocity pressure from the total pressure.
3. Noise Criteria (NC) values are based on Octave Band 2 - 7 sound pressure levels minus a room absorption of 10dB. Dash (-) in space indicates a Noise Criteria of less than 15.
4. Data derived from tests conducted in accordance with ANSI/ASHRAE Standard 70 – 1991.

PERFORMANCE DATA:

Model UNI2-LT • 24 x 24 (600 x 600) Face Size • Low Temperature Construction

Nominal Neck Size	Neck Velocity, FPM	575	860	1150	1430	1720	2000	2289
	Velocity Pressure, in. w.g.	0.021	0.046	0.082	0.127	0.184	0.249	0.327
4" Round Dia.	Airflow, CFM	50	75	100	125	150	175	200
	Total Pressure, in. w.g.	.06	.12	.21	.31	.45	.60	.77
	Throw, Isothermal	2-4-8	3-6-12	6-8-14	6-10-17	8-12-18	9-13-20	9-16-22
	Throw, ΔT	2-3-5	3-6-8	6-7-9	6-7-10	8-9-11	9-10-12	9-12-13
	Noise Criteria (NC)	—	24	33	38	43	48	51
	Drop, ΔT	2.3	1.4	0.8	0.6	0.4	0.3	0.2

Nominal Neck Size	Neck Velocity, FPM	255	385	510	640	765	895	1020
	Velocity Pressure, in. w.g.	0.004	0.009	0.016	0.026	0.036	0.050	0.065
6" Round Dia.	Airflow, CFM	50	75	100	125	150	175	200
	Total Pressure, in. w.g.	.05	.08	.13	.19	.27	.36	.46
	Throw, Isothermal	2-4-8	3-6-12	6-8-14	6-10-17	8-12-18	9-13-20	9-16-22
	Throw, ΔT	2-3-5	3-6-8	6-7-9	6-7-10	8-9-11	9-10-12	9-12-13
	Noise Criteria (NC)	—	19	26	31	37	40	43
	Drop, ΔT	2.3	1.4	0.8	0.6	0.4	0.3	0.2

Nominal Neck Size	Neck Velocity, FPM	144	215	287	358	430	500	573
	Velocity Pressure, in. w.g.	0.001	0.003	0.005	0.008	0.012	0.016	0.020
8" Round Dia.	Airflow, CFM	50	75	100	125	150	175	200
	Total Pressure, in. w.g.	.03	.06	.10	.15	.22	.30	.40
	Throw, Isothermal	2-4-8	3-6-12	6-8-14	6-10-17	8-12-18	9-13-20	9-16-22
	Throw, ΔT	2-3-5	3-6-8	6-7-9	6-7-10	8-9-11	9-10-12	9-12-13
	Noise Criteria (NC)	—	—	21	27	32	37	40
	Drop, ΔT	2.3	1.4	0.8	0.6	0.4	0.3	0.2

Nominal Neck Size	Neck Velocity, FPM	91	137	184	230	275	321	367
	Velocity Pressure, in. w.g.	0.001	0.001	0.002	0.003	0.005	0.006	0.008
10" Oval Dia.	Airflow, CFM	50	75	100	125	150	175	200
	Total Pressure, in. w.g.	.03	.05	.11	.16	.23	.32	.42
	Throw, Isothermal	2-4-8	3-6-12	6-8-14	6-10-17	8-12-18	9-13-20	9-16-22
	Throw, ΔT	2-3-5	3-6-8	6-7-9	6-7-10	8-9-11	9-10-12	9-12-13
	Noise Criteria (NC)	—	—	18	24	29	34	37
	Drop, ΔT	2.3	1.4	0.8	0.6	0.4	0.3	0.2

Performance Notes:

1. Throws values are given in feet at terminal velocities of 150, 100 and 50 fpm.
2. All pressures are in inches w.g.. To obtain static pressure, subtract the velocity pressure from the total pressure.
3. Isothermal throw values indicate supply air temperature is equal to room air temperature.
4. ΔT Throw values (cooling) are based on a supply air temperature of 40°F and a room temperature of 75°F (35°F ΔT).
5. Noise Criteria (NC) values are based on 10dB room absorption, re 10⁻¹² watts. Dash (—) in space indicates an Noise Criteria of less than 15.
6. Drop values are given in feet at a terminal velocity of 50 fpm.
7. Data derived from tests conducted in accordance with ANSI/ASHRAE Standard 70 – 1991.

PERFORMANCE DATA:

Models UNI-RP • 24 x 24 (600 x 600) Face Size

Nominal Neck Size	Neck Velocity, FPM	400	500	600	700	800	900	1000	1100	1200	1400
	Velocity Pressure	.010	.016	.022	.031	.040	.050	.062	.075	.090	.122
6" Dia.	Total Pressure	.019	.028	.040	.052	.067	.084	.102	.122	.147	.193
	Airflow, CFM	80	100	120	135	155	175	195	215	235	275
	Throw	1-1-4	1-2-5	2-2-5	2-3-5	2-3-6	2-3-7	2-4-7	3-4-7	3-5-8	4-6-8
	Noise Criteria	—	—	—	15	20	24	28	31	34	37
8" Dia.	Total Pressure	.023	.035	.047	.066	.085	.106	.132	.161	.190	.258
	Airflow, CFM	140	175	210	245	280	315	350	385	420	490
	Throw	2-3-7	2-4-7	3-4-8	3-5-9	4-6-9	4-6-10	5-7-11	5-8-11	6-8-12	7-10-13
	Noise Criteria	—	—	—	16	20	25	29	32	35	39
10" Dia.	Total Pressure	.030	.047	.066	.092	.120	.152	.186	.225	.267	.365
	Airflow, CFM	220	275	325	380	435	490	545	600	655	765
	Throw	3-4-9	3-5-10	4-6-11	5-7-12	5-8-13	6-8-14	6-9-15	7-10-15	8-11-16	9-13-17
	Noise Criteria	—	—	15	20	22	26	31	35	38	43
12" Dia.	Total Pressure	.045	.075	.103	.140	.184	.233	.283	.339	.411	.552
	Airflow, CFM	315	395	470	550	630	705	785	865	940	1100
	Throw	3-5-11	4-6-13	5-7-14	5-8-15	6-9-16	7-10-17	8-11-18	8-12-19	9-13-20	10-16-21
	Noise Criteria	—	19.000	22	25	30	35	38	42	45	51
14" Dia.	Total Pressure	.069	.111	.159	.211	.278	.352	.426	.516	.616	.842
	Airflow, CFM	430	535	640	750	855	960	1070	1175	1285	1495
	Throw	4-6-12	5-8-14	6-9-15	7-11-16	8-12-17	9-13-18	10-14-19	11-15-20	12-16-21	14-18-23
	Noise Criteria	15	21	24	30	35	39	42	46	49	56
15" Dia.	Total Pressure	.077	.134	.186	.260	.343	.436	.532	.646	.773	1.075
	Airflow, CFM	490	615	735	860	980	1105	1225	1350	1475	1720
	Throw	5-7-13	6-9-15	7-10-16	8-11-18	9-12-19	11-15-20	12-16-21	13-17-22	14-18-23	16-20-26
	Noise Criteria	17	23	26	32	38	41	45	48	51	60

Performance Notes:

1. Throws are given at 150, 100 and 50 fpm terminal velocities, under isothermal conditions.
2. All pressures are in inches w.g.. To obtain static pressure, subtract the velocity pressure from the total pressure.

3. Noise Criteria (NC) values are based upon 10dB room absorption, re 10⁻¹² watts. Dash (—) in space indicates an Noise Criteria of less than 15.
4. Data derived from tests conducted in accordance with ANSI/ASHRAE Standard 70 – 2006.

Balancing:

It is recommended that a commercially available 'Flow Hood' is used for field balancing. The airflow meter directly reads average flow rate with great accuracy at all volumes. It is a much faster and more accurate alternative to time consuming multiple velocity readings, eliminating the use of Ak factors and the calculations required to convert the average velocity into airflow.