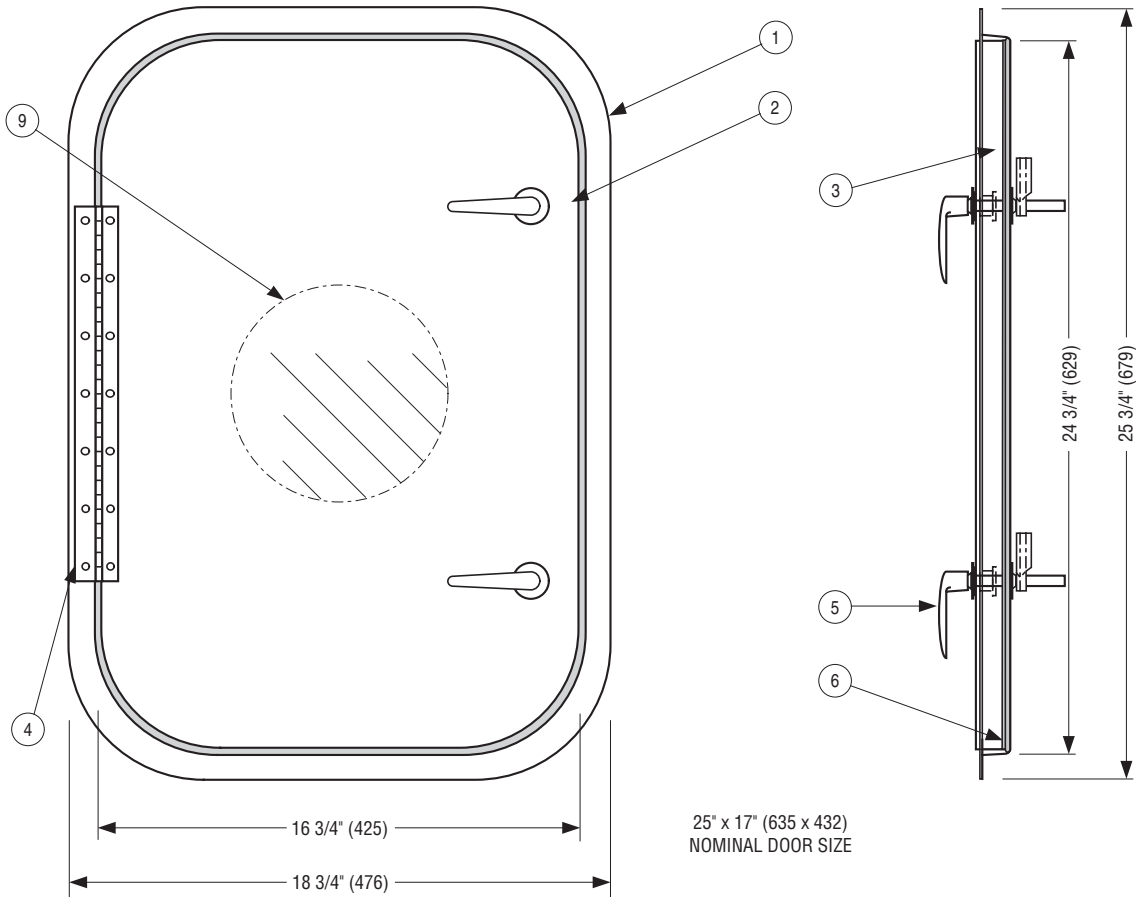




PLENUM ACCESS DOOR
ULTRA-LOW LEAKAGE
SIZE: 25 x 17
MODEL: 0840-6

FOR USE IN LOW, MEDIUM AND HIGH PRESSURE PLENUMS



MODEL DESCRIPTION:

Hinged door with closure handles for positive seal and easy operation. Flat oval design optimizes access area and simplifies installation.

STANDARD CONSTRUCTION:

1. Die-formed 22 ga. (.85) galv. flanged frame for extra strength.
2. Die-formed 22 ga. (.85) galv. door panel for extra strength.
3. 1" (25) insulation with 24 ga. (.85) galvanized backing plate.
4. Zinc plated hinge.
5. Die-cast closure handles.
6. Positive bulb door seal.
7. Layout template included on carton.
8. 3/16" (5) dia. pre-punched attachment holes on inner flange for surface mounting.

OPTIONS:

8. PO 3/16" (5) dia. pre-punched attachment holes on outer flange for flush mounting.
9. VP Viewport - 5 1/2" (140) diameter.

LEAKAGE INFORMATION:

Tested in conformance to British Standard DW142 Class C. The maximum leakage at 8" w.g. (2 kPa): 0.286 cfm (8.1 l/min.)

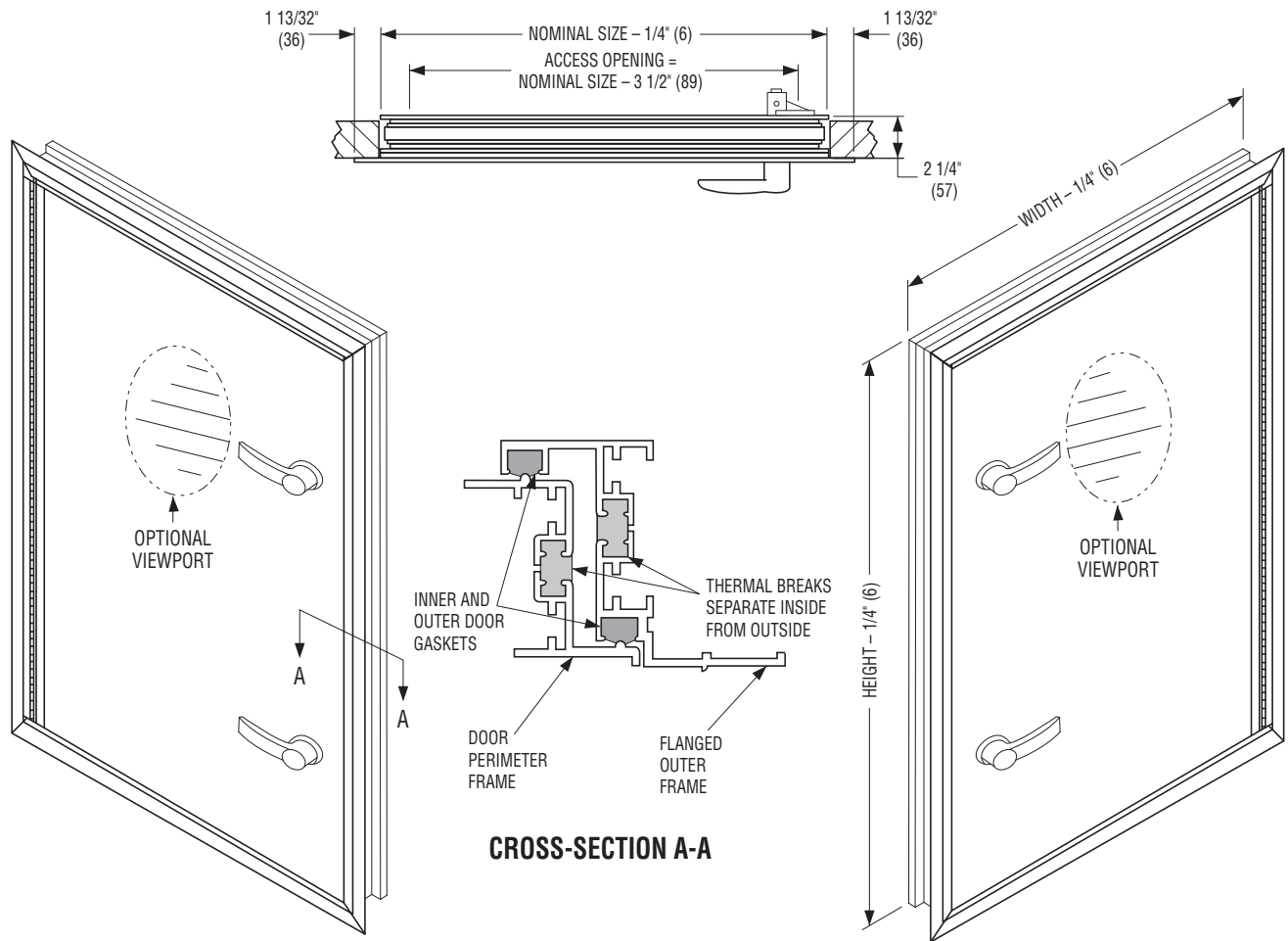
| |
|-----------------------|
| SCHEDULE TYPE: |
| PROJECT: |
| ENGINEER: |
| CONTRACTOR: |

Dimensions are in inches (mm).

| DATE | B SERIES | SUPERSEDES | DRAWING NO. |
|-------------|----------|-------------|-------------|
| 1 - 30 - 13 | 0800 | 4 - 20 - 04 | 0800-6 |



**THERMAL BREAK PLENUM ACCESS DOOR
OUT-SWING FRAME (NEGATIVE PRESSURE)
EXTRUDED ALUMINUM FRAMES
STEEL DOOR PANELS • 2" (51) DEEP DESIGN
MODEL SERIES: 0850-2**



MODEL 0850-2L
LEFT HAND HINGE

MODEL 0850-2R
RIGHT HAND HINGE

MODEL DESCRIPTION:

Ultra-low leakage, premium quality and performance access door designed for out-swing (negative pressure) applications. Extruded aluminum frames feature attractive mitered corner construction. Thermal break door and frame design utilizes pour-and-debridging technology to achieve levels of thermal isolation unsurpassed by other methods. Double door gaskets assure low levels of leakage. Ergonomic adjustable door latches have cam-locking surfaces for smooth operation and positive seal. All units have full length stainless steel piano type hinges, for left hand or right hand operation. A standard 3 lb. density insulation is used between the 20 ga. (1.0) galvanized steel inner and outer door panels.

NOTES:

1. Minimum size is 12" x 12" (305 x 305).
2. Maximum size is 48" x 96" (1219 x 2438).
3. Fractional sizes are available.
4. Custom sizes available. Contact factory.

DOOR HANDLES:

- DH0** None, prep only.
- DH2** 2 per door (recommended minimum for door heights under 60" [1524]).
- DH3** 3 per door (recommended minimum for door heights 60" [1524] thru 80" [2032]).
- DH4** 4 per door (recommended minimum for door heights over 80" [2032]).

OPTIONAL VIEWPORTS:

Dual pane hermetically sealed lexan view glass window.

- VP8** 8" (203) round (min. door size 18" x 18" [457 x 457]).
- VP12** 12" (305) round (min. door size 24" x 24" [610 x 610]).

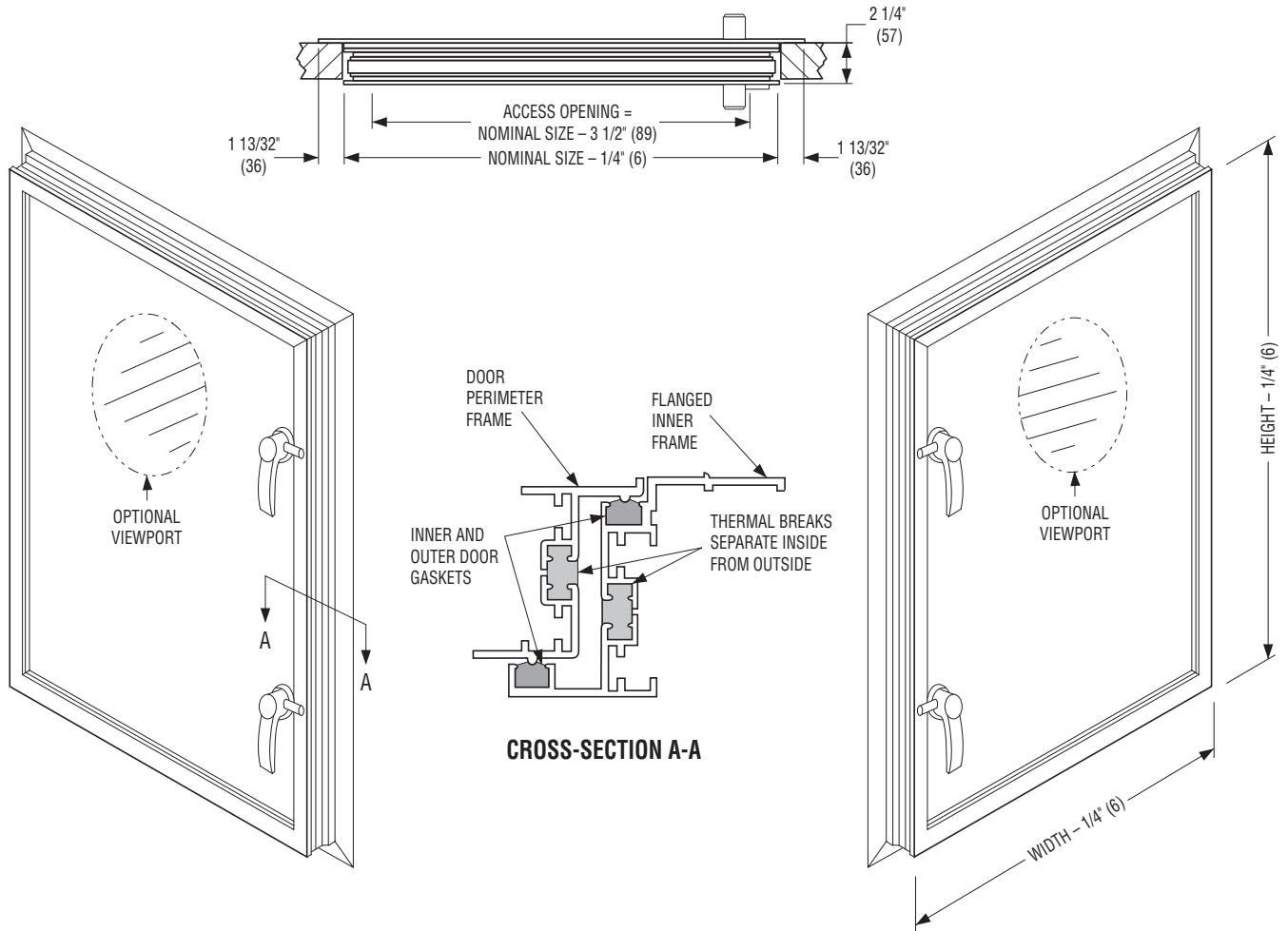
Dimensions are in inches (mm).

| |
|-----------------------|
| SCHEDULE TYPE: |
| PROJECT: |
| ENGINEER: |
| CONTRACTOR: |

| DATE | B SERIES | SUPERSEDES | DRAWING NO. |
|-------------|----------|-------------|-------------|
| 8 - 17 - 11 | 0800 | 3 - 10 - 08 | 0850-1 |



**THERMAL BREAK PLENUM ACCESS DOOR
IN-SWING FRAME (POSITIVE PRESSURE)
EXTRUDED ALUMINUM FRAMES
STEEL DOOR PANELS • 2" (51) DEEP DESIGN
MODEL SERIES: 0855-2**



MODEL 0855-2L
LEFT HAND HINGE

MODEL 0855-2R
RIGHT HAND HINGE

MODEL DESCRIPTION:

Ultra-low leakage, premium quality and performance access door designed for in-swing (positive pressure) applications. Extruded aluminum frames feature attractive mitered corner construction. Thermal break door and frame design utilizes pour-and-debripping technology to achieve levels of thermal isolation unsurpassed by other methods. Double door gaskets assure low levels of leakage. Ergonomic adjustable door latches have cam-locking surfaces for smooth operation and positive seal. All units have full length stainless steel piano type hinges, for left hand or right hand operation. A standard 3 lb. density insulation is used between the 20 ga. (1.0) galvanized steel inner and outer door panels.

NOTES:

1. Minimum size is 12" x 12" (305 x 305).
2. Maximum size is 48" x 96" (1219 x 2438).
3. Fractional sizes are available.
4. Custom sizes available. Contact factory.

DOOR HANDLES:

- DH0** None, prep only.
- DH2** 2 per door (recommended minimum for door heights under 60" [1524]).
- DH3** 3 per door (recommended minimum for door heights 60" [1524] thru 80" [2032]).
- DH4** 4 per door (recommended minimum for door heights over 80" [2032]).

OPTIONAL VIEWPORTS:

Dual pane hermetically sealed lexan view glass window.

- VP8** 8" (203) round (min. door size 18" x 18" [457 x 457]).
- VP12** 12" (305) round (min. door size 24" x 24" [610 x 610]).

Dimensions are in inches (mm).

| | | | |
|-----------------------|-----------------|-------------------|--------------------|
| SCHEDULE TYPE: | | | |
| PROJECT: | | | |
| ENGINEER: | | | |
| CONTRACTOR: | | | |
| DATE | B SERIES | SUPERSEDES | DRAWING NO. |
| 8 - 17 - 11 | 0800 | 4 - 23 - 08 | 0855-1 |