

MODELS:

- 39VHZ** Chilled/Hot Water (2-pipe).
- 39VHZE** Chilled Water & Electric Heat (2-pipe).
- 39VHZW** Chilled & Hot Water (4-pipe).
- 39VHW** Hot Water (2-pipe).

STANDARD FEATURES:

- 20 ga. (1.0) galvanized steel casing.
- 1/2" (13), 2 lb/cu.ft. density water repellent fiberglass insulation.
- 1" (25) throwaway filter.
- Galvanized steel insulated drain pan.
- Factory installed P-Trap.
- Double deflection supply grille(s), see drawing 39VH/L-3.
- Front return panel (not shown, see drawing 39VH-6) with AW Appliance White powder coat finish.
- Factory installed piping package(s).

OPTIONS:

- 1/2" (13) Fiber-Free liner.
- 1/2" (13) Steri-liner.
- 1" (25) MERV 8 pleated filter.
- Full riser chase.
- Factory mounted risers.
- Electric heat.
- Stainless steel drain pan.
- Drain pan float switch.
- Toggle disconnect switch.
- Outside air damper.
- Thermostat / Controls (by Engineered Comfort).
- Special features: _____

WATER COIL:

- 1/2" (13) Copper tubes with aluminum ripple fins.
- Manual air vents.
- Stainless steel flexible hose connections.

Coil Options:

2 Pipe system:

- 3 Row C/HW.
- 4 Row C/HW.
- 1 Row HW Only.
- 2 Row HW Only.
- 3 Row HW Only.

4 Pipe system:

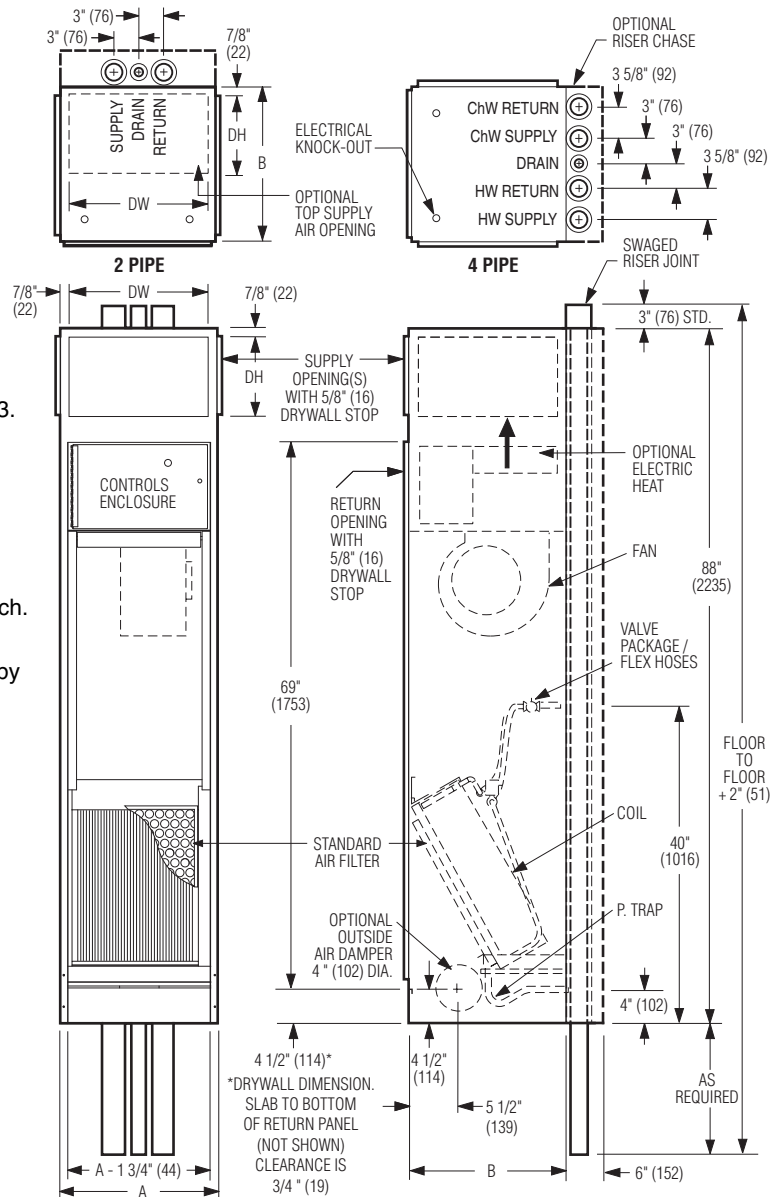
- 3/1 CW/HW Rows.
- 3/2 CW/HW Rows.
- 4/1 CW/HW Rows.

Dimensional Data

Unit Size	Footprint A x B	Supply Grille Nominal DW x DH	Filter Size
3, 5, 6	18 x 18 (457 x 457)	16 x 10 (406 x 254)	13 1/8 x 16 3/4 (333 x 425)
8, 10	20 x 20 (508 x 508)	18 x 10 (457 x 254)	15 1/2 x 24 (394 x 610)
12, 15	24 x 24 (610 x 610)	22 x 10 (559 x 254)	18 1/2 x 29 (470 x 737)
19, 21	30 x 24 (762 x 610)	28 x 10 (711 x 254)	24 1/2 x 29 (622 x 737)

NOTES:

1. Wiring from electrical entry knock-out to controls enclosure is furnished and field installed by others.
2. Risers available from 3/4" (19) to 3" (76) dia. with either 1/2" (13) or 3/4" (19) thick insulation.
3. Max. riser length is 120" (3048), 100" (2540) min.
4. Back riser location shown. See drawing 39VH/L-1 for available riser and discharge grille unit configurations.
5. Factory mounted risers shown. See drawing 39VH/L-2 for shipped loose riser details.



SCHEDULE TYPE:	
PROJECT:	
ENGINEER:	
CONTRACTOR:	

Page 1 of 2.
Dimensions are in inches (mm).

DATE	B SERIES	SUPERSEDES	DRAWING NO.
8 - 5 - 16	39	11 - 15 - 11	39VH-1



**VERTICAL HI-RISE FAN COIL UNITS WITH
EPIC ECM, 3-SPEED ECM OR 3-SPEED PSC MOTOR
TYPE C CONCEALED (STAND-ALONE)
2 PIPE OR 4 PIPE
MODEL SERIES: 39VH • UNIT SIZES 3 – 21**

Electrical Data

Unit Size	EPIC ECM Motor FLA					3-Speed ECM FLA					3-Speed PSC Motor FLA				
	Motor HP	120V	208V	240V	277V	Motor HP	120V	208V	240V	277V	Motor HP	120V	208V	240V	277V
3	*	—	—	—	—	1/3	1.6	1.1	1.1	1.0	1/10	1.8	0.7	0.7	0.6
5	*	—	—	—	—	1/3	2.0	1.4	1.4	1.2	1/10	1.9	0.7	0.7	0.6
6	*	3.6	2.3	2.2	2.0	1/3	2.5	1.8	1.7	1.6	1/6	2.7	1.1	1.1	0.9
8	*	—	—	—	—	1/3	3.4	2.4	2.3	2.1	1/6	2.7	1.1	1.1	0.9
10	*	6.8	4.0	4.3	3.6	1/2	4.7	3.3	3.2	2.9	1/3	4.7	2.0	2.0	1.8
12	*	—	—	—	—	3/4	5.3	3.7	3.7	3.3	1/3	5.5	2.6	2.6	2.1
15	*	8.7	5.8	5.4	4.6	3/4	8.0	5.6	5.5	5.0	1/2	3.5	3.8	3.8	2.8
19	*	12.7	8.5	7.8	6.5	1	11.9	8.3	8.2	7.4	3/4	4.3	5.1	5.1	4.1
21	*	—	—	—	—	1	12.5	8.8	8.6	7.8	3/4	4.2	5.1	5.1	4.1

* The EPIC ECM is a variable horsepower motor. Refer to Selectworks schedule for actual power consumption.
FLA = Full load amperage (high speed fan). All motors are single phase/60 Hz.

MOTOR OPTIONS:

- EPIC ECM. Ultra-high efficiency fan motor with overload protection. EPIC fan volume controller, 0–10 Vdc.
- 3-Speed ECM. Ultra-high efficiency fan motor with overload protection.
- 3-Speed PSC Motor. Energy efficient fan motor with overload protection.

ELECTRIC HEAT:

- Class 'A' 80/20 Ni./Cr. wire.
- Automatic reset high limit cut-outs (one per element).
- Magnetic contactors per stage.

Voltage:

Single phase, 60 Hz.

- 120V 208V 240V 277V

Electric heat options:

- Door interlocking disconnect switch.
- Main fusing.
- Quiet contactors.
- Manual reset secondary Hi-limit thermal cut out.
- UV light w/safety switch.

SCHEDULE TYPE:

PROJECT:

ENGINEER:

CONTRACTOR:

Page 2 of 2.
Dimensions are in inches (mm).

DATE

B SERIES

SUPERSEDES

DRAWING NO.

8 - 5 - 16

39

11 - 15 - 11

39VH-1

MODELS:

- 39VHZ** Chilled/Hot Water (2-pipe).
- 39VHZE** Chilled Water & Electric Heat (2-pipe).
- 39VHZW** Chilled & Hot Water (4-pipe).
- 39VHW** Hot Water (2-pipe).

STANDARD FEATURES:

- 18 ga. (1.3) galvanized steel casing.
- 1/2" (13), 2 lb/cu.ft. density water repellent fiberglass insulation.
- 1" (25) throwaway filter.
- Galvanized steel insulated drain pan.
- Factory installed P-Trap.
- Full length integral supply grille/return air front panel (Removable for access).
- Standard cabinet and front panel paint finish is AW Appliance White powder coat.
- Factory installed piping package(s).

OPTIONS:

- 1/2" (13) Fiber-Free liner.
- 1/2" (13) Steri-liner.
- 1" (25) MERV 8 pleated filter.
- Full riser chase.
- Factory mounted risers.
- Electric heat.
- Stainless steel drain pan.
- Drain pan float switch.
- Toggle disconnect switch.
- Thermostat /Controls (by Engineered Comfort).
- Special features: _____

WATER COIL:

- 1/2" (13) Copper tubes with aluminum ripple fins.
- Manual air vents.
- Stainless steel flexible hose connections.

Coil Options:

2 Pipe system:

- 3 Row C/HW.
- 4 Row C/HW.
- 1 Row HW Only.
- 2 Row HW Only.
- 3 Row HW Only.

4 Pipe system:

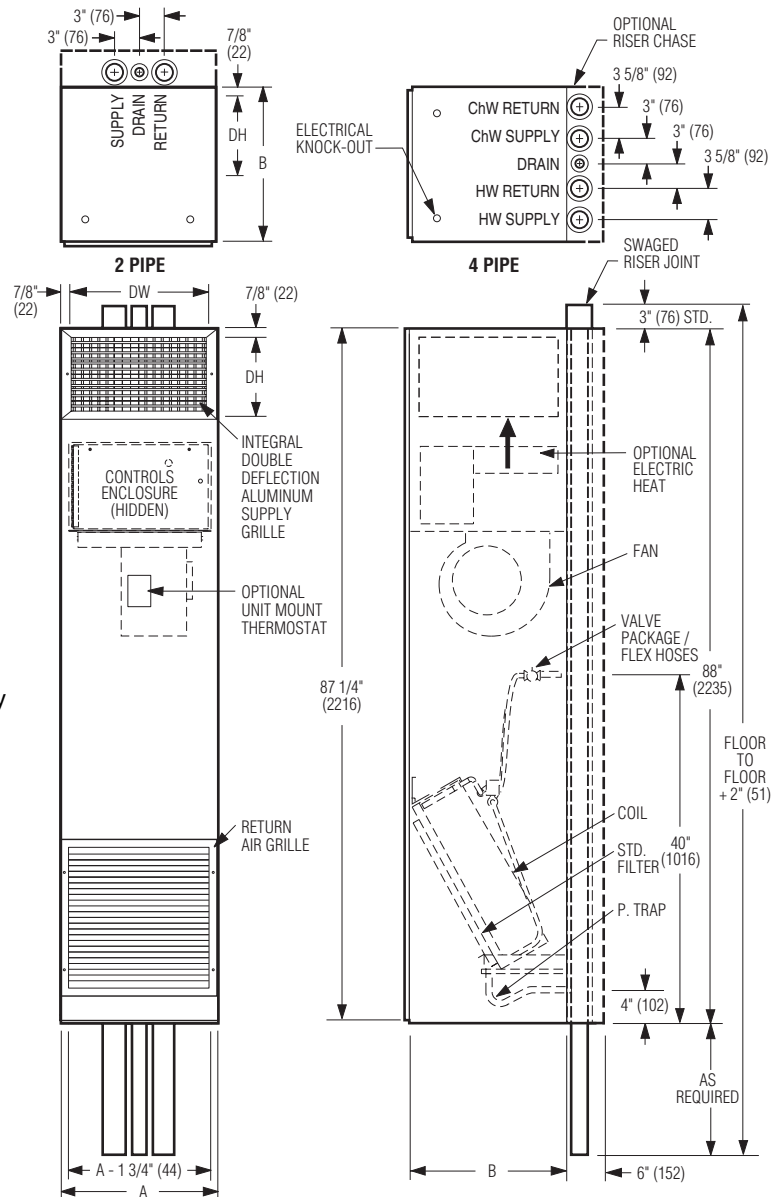
- 3/1 CW/HW Rows.
- 3/2 CW/HW Rows.
- 4/1 CW/HW Rows.

Dimensional Data

Unit Size	Footprint A x B	Supply Grille Nominal DW x DH	Filter Size
3, 5, 6	18 x 18 (457 x 457)	16 x 10 (406 x 254)	13 1/8 x 16 3/4 (333 x 425)
8, 10	20 x 20 (508 x 508)	18 x 10 (457 x 254)	15 1/2 x 24 (394 x 610)
12, 15	24 x 24 (610 x 610)	22 x 10 (559 x 254)	18 1/2 x 29 (470 x 737)
19, 21	30 x 24 (762 x 610)	28 x 10 (711 x 254)	24 1/2 x 29 (622 x 737)

NOTES:

1. Wiring from electrical entry knock-out to controls enclosure is furnished and field installed by others.
2. Risers available from 3/4" (19) to 3" (76) dia. with either 1/2" (13) or 3/4" (19) thick insulation.
3. Max. riser length is 120" (3048), 100" (2540) min.
4. Back riser location shown. See drawing 39VH/L-1 for available riser and discharge grille unit configurations.
5. Units available with back riser only.
6. Factory mounted risers shown. See drawing 39VH/L-2 for shipped loose riser details.



Page 1 of 2.
Dimensions are in inches (mm).

SCHEDULE TYPE:

PROJECT:

ENGINEER:

CONTRACTOR:

DATE	B SERIES	SUPERSEDES	DRAWING NO.
8 - 5 - 16	39	11 - 15 - 11	39VH-2



**VERTICAL HI-RISE FAN COIL UNITS WITH
EPIC ECM, 3-SPEED ECM OR 3-SPEED PSC MOTOR
TYPE E (EXPOSED) • 2 PIPE OR 4 PIPE
MODEL SERIES: 39VH • UNIT SIZES 3 – 21**

Electrical Data

Unit Size	EPIC ECM Motor FLA					3-Speed ECM FLA					3-Speed PSC Motor FLA				
	Motor HP	120V	208V	240V	277V	Motor HP	120V	208V	240V	277V	Motor HP	120V	208V	240V	277V
3	*	—	—	—	—	1/3	1.6	1.1	1.1	1.0	1/10	1.8	0.7	0.7	0.6
5	*	—	—	—	—	1/3	2.0	1.4	1.4	1.2	1/10	1.9	0.7	0.7	0.6
6	*	3.6	2.3	2.2	2.0	1/3	2.5	1.8	1.7	1.6	1/6	2.7	1.1	1.1	0.9
8	*	—	—	—	—	1/3	3.4	2.4	2.3	2.1	1/6	2.7	1.1	1.1	0.9
10	*	6.8	4.0	4.3	3.6	1/2	4.7	3.3	3.2	2.9	1/3	4.7	2.0	2.0	1.8
12	*	—	—	—	—	3/4	5.3	3.7	3.7	3.3	1/3	5.5	2.6	2.6	2.1
15	*	8.7	5.8	5.4	4.6	3/4	8.0	5.6	5.5	5.0	1/2	3.5	3.8	3.8	2.8
19	*	12.7	8.5	7.8	6.5	1	11.9	8.3	8.2	7.4	3/4	4.3	5.1	5.1	4.1
21	*	—	—	—	—	1	12.5	8.8	8.6	7.8	3/4	4.2	5.1	5.1	4.1

* The EPIC ECM is a variable horsepower motor. Refer to Selectworks schedule for actual power consumption.
FLA = Full load amperage (high speed fan). All motors are single phase/60 Hz.

MOTOR OPTIONS:

- EPIC ECM. Ultra-high efficiency fan motor with overload protection. EPIC fan volume controller, 0–10 Vdc.
- 3-Speed ECM. Ultra-high efficiency fan motor with overload protection.
- 3-Speed PSC Motor. Energy efficient fan motor with overload protection.

ELECTRIC HEAT:

- Class 'A' 80/20 Ni./Cr. wire.
- Automatic reset high limit cut-outs (one per element).
- Magnetic contactors per stage.

Voltage:

Single phase, 60 Hz.

- 120V 208V 240V 277V

Electric heat options:

- Door interlocking disconnect switch.
- Main fusing.
- Quiet contactors.
- Manual reset secondary Hi-limit thermal cut out.
- UV light w/safety switch.

SCHEDULE TYPE:		Page 2 of 2.			
PROJECT:		Dimensions are in inches (mm).			
ENGINEER:	DATE	B SERIES	SUPERSEDES	DRAWING NO.	
CONTRACTOR:	8 - 5 - 16	39	11 - 15 - 11	39VH-2	

MODELS:

- 39VHZ** Chilled/Hot Water (2-pipe).
- 39VHZE** Chilled Water & Electric Heat (2-pipe).
- 39VHZW** Chilled & Hot Water (4-pipe).
- 39VHW** Hot Water (2-pipe).

STANDARD FEATURES:

- 20 ga. (1.0) galvanized steel casing.
- 1/2" (13), 2 lb/cu.ft. density water repellent fiberglass insulation.
- 1" (25) throwaway filter.
- Galvanized steel insulated drain pan.
- Factory installed P-Trap.
- Double deflection supply grille(s), see drawing 39VH/L-3.
- Front return panel (not shown, see drawing 39VH-6) with AW Appliance White powder coat finish.
- Factory installed piping package(s).

OPTIONS:

- 1/2" (13) Fiber-Free liner.
- 1/2" (13) Steri-liner.
- 1" (25) MERV 8 pleated filter.
- 1 Hour Fire Rated Unit (UL Standard 1479). ETL Listed: File# 3188823SAT-005. Adds second layer of Type X gypsum board on master unit and fire blocking at pipe penetrations.
- Electric heat.
- Stainless steel drain pan.
- Drain pan float switch.
- Toggle disconnect switch.
- Outside air damper.
- Thermostat/Controls (by Engineered Comfort).
- Special features:

WATER COIL:

- 1/2" (13) Copper tubes with aluminum ripple fins.
- Manual air vents.
- Stainless steel flexible hose connections.

Coil Options:

2 Pipe system:

- 3 Row C/HW.
- 4 Row C/HW.
- 1 Row HW Only.
- 2 Row HW Only.
- 3 Row HW Only.

4 Pipe system:

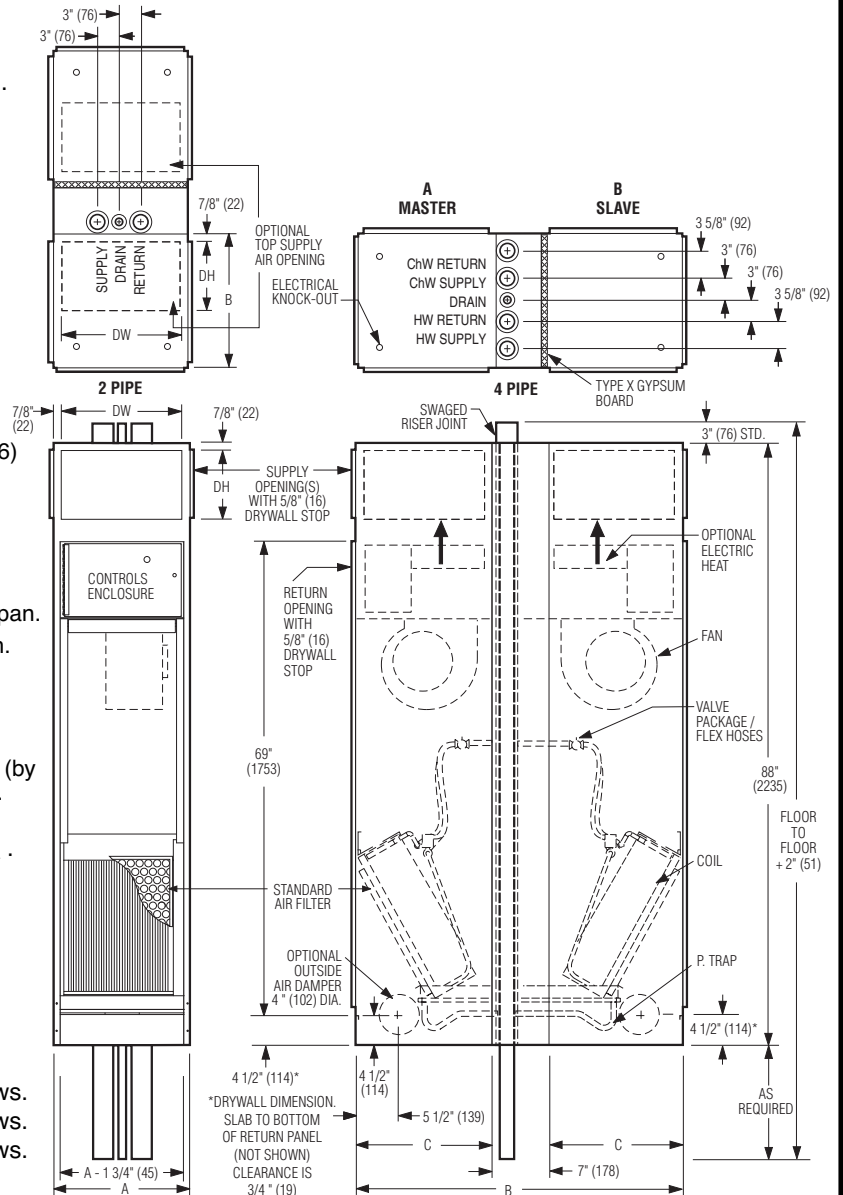
- 3/1 CW/HW Rows.
- 3/2 CW/HW Rows.
- 4/1 CW/HW Rows.

Dimensional Data

Unit Size	Footprint A x B	C	Supply Grille Nominal DW x DH	Filter Size
3, 5, 6	18 x 43 (457 x 1092)	18 (451)	16 x 10 (406 x 254)	13 1/8 x 16 3/4 (333 x 425)
8, 10	20 x 47 (508 x 1194)	20 (508)	18 x 10 (457 x 254)	15 1/2 x 24 (394 x 610)
12, 15	24 x 55 (610 x 1397)	55 (610)	22 x 10 (559 x 254)	18 1/2 x 29 (470 x 737)
19, 21	30 x 55 (762 x 1397)	55 (610)	28 x 10 (711 x 254)	24 1/2 x 29 (622 x 737)

NOTE:

1. Wiring from electrical entry knock-out to controls enclosure is furnished and field installed by others.
2. Risers available from 3/4" (19) to 3" (76) dia. with either 1/2" (13) or 3/4" (19) thick insulation.
3. Max. riser length is 120" (3048), 100" (2540) min.
4. Back riser location on Type A unit shown. See drawing 39VH/L-1 for available riser and discharge grille unit configurations.
5. Non-fire rated unit shown with single layer Type X gypsum board at back of slave unit.



SCHEDULE TYPE:

PROJECT:

ENGINEER:

CONTRACTOR:

Page 1 of 2.
Dimensions are in inches (mm).

DATE	B SERIES	SUPERSEDES	DRAWING NO.
8 - 5 - 16	39	11 - 15 - 11	39VH-3



**VERTICAL HI-RISE FAN COIL UNITS WITH
EPIC ECM, 3-SPEED ECM OR 3-SPEED PSC MOTOR
TYPE A/B PAIRED (CONCEALED)
PIGGYBACK ASSEMBLY • 2 PIPE OR 4 PIPE
MODEL SERIES: 39VH • UNIT SIZES 3 – 21**

Electrical Data

Unit Size	EPIC ECM Motor FLA					3-Speed ECM FLA					3-Speed PSC Motor FLA				
	Motor HP	120V	208V	240V	277V	Motor HP	120V	208V	240V	277V	Motor HP	120V	208V	240V	277V
3	*	—	—	—	—	1/3	1.6	1.1	1.1	1.0	1/10	1.8	0.7	0.7	0.6
5	*	—	—	—	—	1/3	2.0	1.4	1.4	1.2	1/10	1.9	0.7	0.7	0.6
6	*	3.6	2.3	2.2	2.0	1/3	2.5	1.8	1.7	1.6	1/6	2.7	1.1	1.1	0.9
8	*	—	—	—	—	1/3	3.4	2.4	2.3	2.1	1/6	2.7	1.1	1.1	0.9
10	*	6.8	4.0	4.3	3.6	1/2	4.7	3.3	3.2	2.9	1/3	4.7	2.0	2.0	1.8
12	*	—	—	—	—	3/4	5.3	3.7	3.7	3.3	1/3	5.5	2.6	2.6	2.1
15	*	8.7	5.8	5.4	4.6	3/4	8.0	5.6	5.5	5.0	1/2	3.5	3.8	3.8	2.8
19	*	12.7	8.5	7.8	6.5	1	11.9	8.3	8.2	7.4	3/4	4.3	5.1	5.1	4.1
21	*	—	—	—	—	1	12.5	8.8	8.6	7.8	3/4	4.2	5.1	5.1	4.1

* The EPIC ECM is a variable horsepower motor. Refer to Selectworks schedule for actual power consumption.
FLA = Full load amperage (high speed fan). All motors are single phase/60 Hz.

MOTOR OPTIONS:

- EPIC ECM. Ultra-high efficiency fan motor with overload protection. EPIC fan volume controller, 0–10 Vdc.
- 3-Speed ECM. Ultra-high efficiency fan motor with overload protection.
- 3-Speed PSC Motor. Energy efficient fan motor with overload protection.

ELECTRIC HEAT:

- Class 'A' 80/20 Ni./Cr. wire.
- Automatic reset high limit cut-outs (one per element).
- Magnetic contactors per stage.

Voltage:

Single phase, 60 Hz.

- 120V 208V 240V 277V

Electric heat options:

- Door interlocking disconnect switch.
- Main fusing.
- Quiet contactors.
- Manual reset secondary Hi-limit thermal cut out.
- UV light w/safety switch.

SCHEDULE TYPE:		Page 2 of 2.			
PROJECT:		Dimensions are in inches (mm).			
ENGINEER:	DATE	B SERIES	SUPERSEDES	DRAWING NO.	
CONTRACTOR:	8 - 5 - 16	39	11 - 15 - 11	39VH-3	

MODELS:

- 39VHZ** Chilled/Hot Water (2-pipe).
- 39VHZE** Chilled Water & Electric Heat (2-pipe).
- 39VHZW** Chilled & Hot Water (4-pipe).
- 39VHW** Hot Water (2-pipe).

STANDARD FEATURES:

- 20 ga. (1.0) galvanized steel casing.
- 1/2" (13), 2 lb/cu.ft. density water repellent fiberglass insulation.
- 1" (25) throwaway filter.
- Galvanized steel insulated drain pan.
- Factory installed P-Trap.
- Double deflection supply grille(s), see drawing 39VH/L-3.
- Front return panel (not shown, see drawing 39VH-6) with AW Appliance White powder coat finish.
- Factory installed piping package(s).

OPTIONS:

- 1/2" (13) Fiber-Free liner.
- 1/2" (13) Steri-liner.
- 1" (25) MERV 8 pleated filter.
- Factory mounted risers.
- Electric heat.
- Stainless steel drain pan.
- Drain pan float switch.
- Toggle disconnect switch.
- Outside air damper.
- Thermostat/Controls (by Engineered Comfort).
- Special features: _____

WATER COIL:

- 1/2" (13) Copper tubes with aluminum ripple fins.
- Manual air vents.
- Stainless steel flexible hose connections.

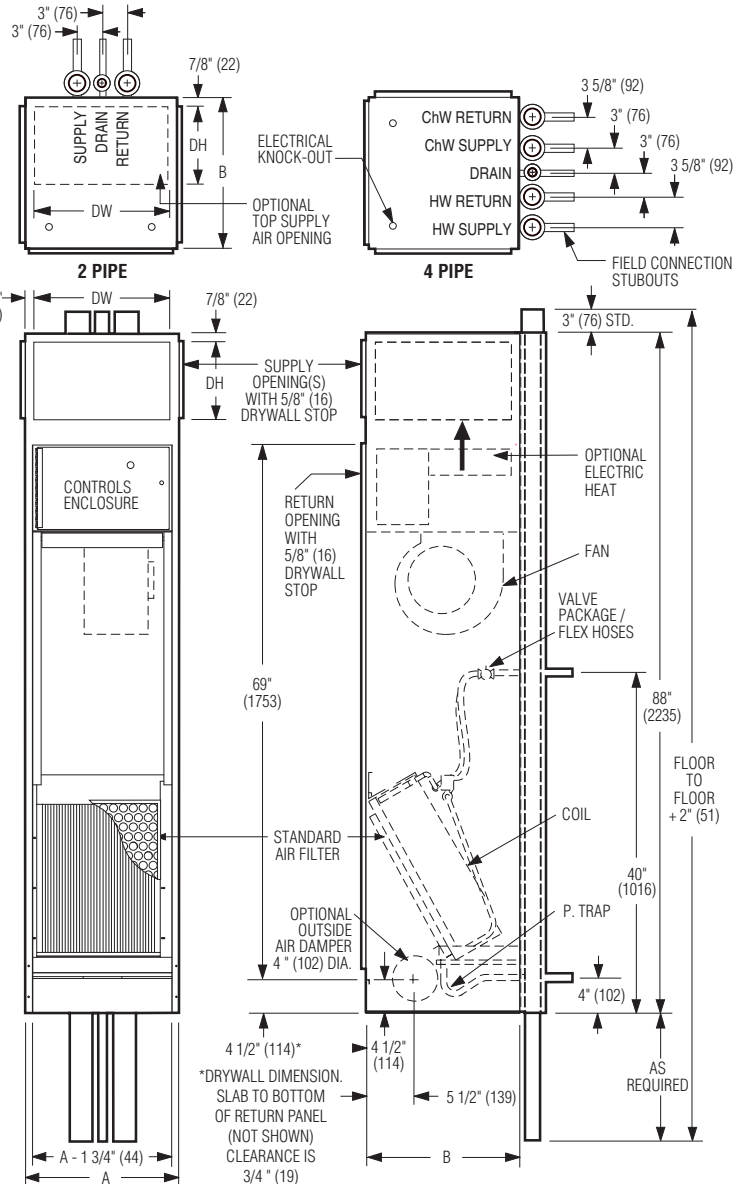
Coil Options:

2 Pipe system:

- 3 Row C/HW.
- 4 Row C/HW.
- 1 Row HW Only.
- 2 Row HW Only.
- 3 Row HW Only.

4 Pipe system:

- 3/1 CW/HW Rows.
- 3/2 CW/HW Rows.
- 4/1 CW/HW Rows.



Dimensional Data

Unit Size	Footprint A x B	Supply Grille Nominal DW x DH	Filter Size
3, 5, 6	18 x 18 (457 x 457)	16 x 10 (406 x 254)	13 1/8 x 16 3/4 (333 x 425)
8, 10	20 x 20 (508 x 508)	18 x 10 (457 x 254)	15 1/2 x 24 (394 x 610)
12, 15	24 x 24 (610 x 610)	22 x 10 (559 x 254)	18 1/2 x 29 (470 x 737)
19, 21	30 x 24 (762 x 610)	28 x 10 (711 x 254)	24 1/2 x 29 (622 x 737)



NOTES:

1. Wiring from electrical entry knock-out to controls enclosure is furnished and field installed by others.
2. Risers available from 3/4" (19) to 3" (76) dia. with either 1/2" (13) or 3/4" (19) thick insulation.
3. Max. riser length is 120" (3048), 100" (2540) min.
4. Back riser location shown. See drawing 39VH/L-1 for available riser and discharge grille unit configurations.
5. All piping and insulation between master and slave unit is furnished and field installed by others.
6. Riser stubouts are approx. 4 1/2" (114) long. Water connections are 5/8" (16) O.D. and drain connection is 7/8" (22) O.D.
7. Factory mounted risers shown. See drawing 39VH/L-2 for shipped loose riser details.

SCHEDULE TYPE:

PROJECT:

ENGINEER:

CONTRACTOR:

Page 1 of 2.
Dimensions are in inches (mm).

DATE	B SERIES	SUPERSEDES	DRAWING NO.
8 - 5 - 16	39	11 - 15 - 11	39VH-4



**VERTICAL HI-RISE FAN COIL UNITS WITH
EPIC ECM, 3-SPEED ECM OR 3-SPEED PSC MOTOR
TYPE M CONCEALED MASTER
2 PIPE OR 4 PIPE
MODEL SERIES: 39VH • UNIT SIZES 3 – 21**

Electrical Data

Unit Size	EPIC ECM Motor FLA					3-Speed ECM FLA					3-Speed PSC Motor FLA				
	Motor HP	120V	208V	240V	277V	Motor HP	120V	208V	240V	277V	Motor HP	120V	208V	240V	277V
3	*	—	—	—	—	1/3	1.6	1.1	1.1	1.0	1/10	1.8	0.7	0.7	0.6
5	*	—	—	—	—	1/3	2.0	1.4	1.4	1.2	1/10	1.9	0.7	0.7	0.6
6	*	3.6	2.3	2.2	2.0	1/3	2.5	1.8	1.7	1.6	1/6	2.7	1.1	1.1	0.9
8	*	—	—	—	—	1/3	3.4	2.4	2.3	2.1	1/6	2.7	1.1	1.1	0.9
10	*	6.8	4.0	4.3	3.6	1/2	4.7	3.3	3.2	2.9	1/3	4.7	2.0	2.0	1.8
12	*	—	—	—	—	3/4	5.3	3.7	3.7	3.3	1/3	5.5	2.6	2.6	2.1
15	*	8.7	5.8	5.4	4.6	3/4	8.0	5.6	5.5	5.0	1/2	3.5	3.8	3.8	2.8
19	*	12.7	8.5	7.8	6.5	1	11.9	8.3	8.2	7.4	3/4	4.3	5.1	5.1	4.1
21	*	—	—	—	—	1	12.5	8.8	8.6	7.8	3/4	4.2	5.1	5.1	4.1

* The EPIC ECM is a variable horsepower motor. Refer to Selectworks schedule for actual power consumption.
FLA = Full load amperage (high speed fan). All motors are single phase/60 Hz.

MOTOR OPTIONS:

- EPIC ECM. Ultra-high efficiency fan motor with overload protection. EPIC fan volume controller, 0–10 Vdc.
- 3-Speed ECM. Ultra-high efficiency fan motor with overload protection.
- 3-Speed PSC Motor. Energy efficient fan motor with overload protection.

ELECTRIC HEAT:

- Class 'A' 80/20 Ni./Cr. wire.
- Automatic reset high limit cut-outs (one per element).
- Magnetic contactors per stage.

Voltage:

Single phase, 60 Hz.

- 120V 208V 240V 277V

Electric heat options:

- Door interlocking disconnect switch.
- Main fusing.
- Quiet contactors.
- Manual reset secondary Hi-limit thermal cut out.
- UV light w/safety switch.

SCHEDULE TYPE:		Page 2 of 2.			
PROJECT:		Dimensions are in inches (mm).			
ENGINEER:	DATE	B SERIES	SUPERSEDES	DRAWING NO.	
CONTRACTOR:	8 - 5 - 16	39	11 - 15 - 11	39VH-4	

MODELS:

- 39VHZ** Chilled/Hot Water (2-pipe).
- 39VHZE** Chilled Water & Electric Heat (2-pipe).
- 39VHZW** Chilled & Hot Water (4-pipe).
- 39VHW** Hot Water (2-pipe).

STANDARD FEATURES:

- 20 ga. (1.0) galvanized steel casing.
- 1/2" (13), 2 lb/cu.ft. density water repellent fiberglass insulation.
- 1" (25) throwaway filter.
- Galvanized steel insulated drain pan.
- Factory installed P-Trap.
- Double deflection supply grille(s).
- Front return panel (not shown, see drawing 39VH-6) with AW Appliance White powder coat finish.
- Factory installed piping package(s).

OPTIONS:

- 1/2" (13) Fiber-Free liner.
- 1/2" (13) Steri-liner.
- 1" (25) MERV 8 pleated filter.
- Full riser chase.
- Electric heat.
- Stainless steel drain pan.
- Drain pan float switch.
- Toggle disconnect switch.
- Outside air damper.
- Thermostat /Controls (by Engineered Comfort).
- Special features: _____

WATER COIL:

- 1/2" (13) Copper tubes with aluminum ripple fins.
- Manual air vents.
- Stainless steel flexible hose connections.

Coil Options:

2 Pipe system:

- 3 Row C/HW.
- 4 Row C/HW.
- 1 Row HW Only.
- 2 Row HW Only.
- 3 Row HW Only.

4 Pipe system:

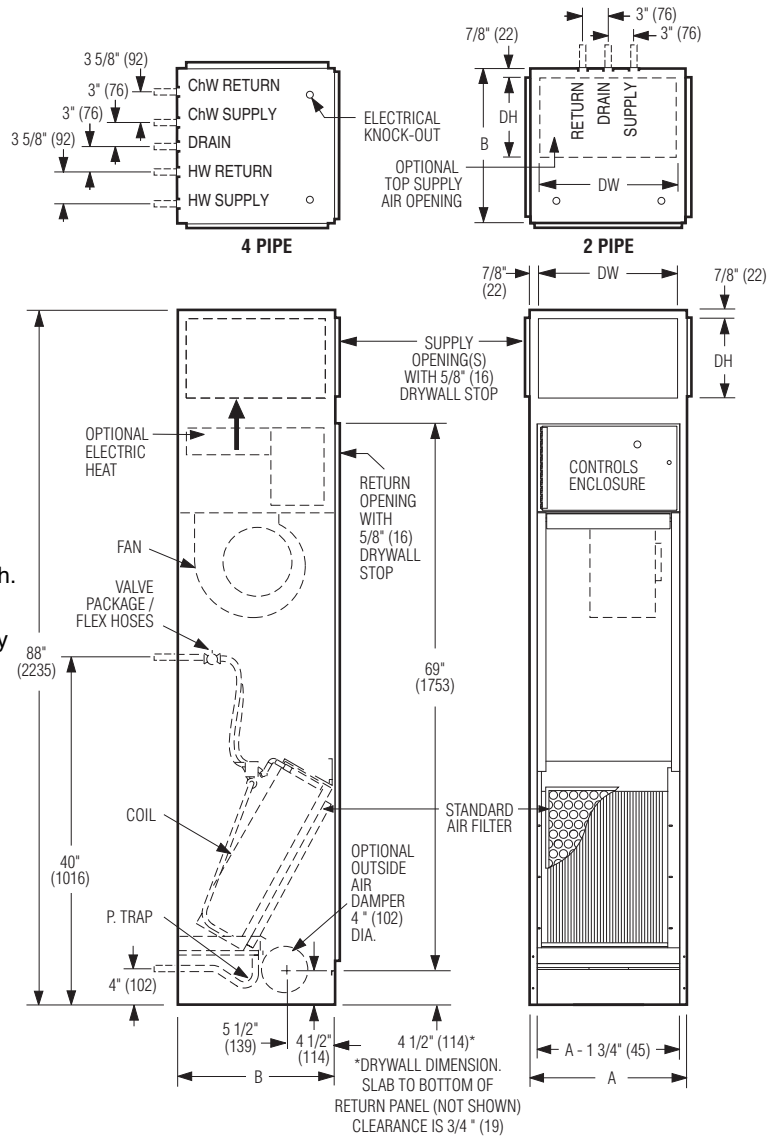
- 3/1 CW/HW Rows.
- 3/2 CW/HW Rows.
- 4/1 CW/HW Rows.

Dimensional Data

Unit Size	Footprint A x B	Supply Grille Nominal DW x DH	Filter Size
3, 5, 6	18 x 18 (457 x 457)	16 x 10 (406 x 254)	13 1/8 x 16 3/4 (333 x 425)
8, 10	20 x 20 (508 x 508)	18 x 10 (457 x 254)	15 1/2 x 24 (394 x 610)
12, 15	24 x 24 (610 x 610)	22 x 10 (559 x 254)	18 1/2 x 29 (470 x 737)
19, 21	30 x 24 (762 x 610)	28 x 10 (711 x 254)	24 1/2 x 29 (622 x 737)

NOTES:

1. Wiring from electrical entry knock-out to controls enclosure is furnished and field installed by others.
2. Risers available from 3/4" (19) to 3" (76) dia. with either 1/2" (13) or 3/4" (19) thick insulation.
3. Max. riser length is 120" (3048), 100" (2540) min.
4. Back riser connection location shown. See drawing 39VH/L-1 for available riser and discharge grille unit configurations.
5. All piping and insulation between slave unit and risers is furnished and field installed by others.
6. All coil and drain connections are retracted internally for shipping.
7. Coil connections are 5/8" (16) O.D. sweat. Drain P-Trap is designed to accept 7/8" (22) O.D. copper tube.
8. Slave unit riser connections are built "mirror image" to master unit.
9. Slave units are furnished with factory installed shut-off valves and field connection tubes, unless master unit risers are shipped loose. See drawing 39VH/L-2 for shipped loose riser details.



Intertek



SCHEDULE TYPE:

PROJECT:

ENGINEER:

CONTRACTOR:

Page 1 of 2.
Dimensions are in inches (mm).

DATE	B SERIES	SUPERSEDES	DRAWING NO.
8 - 5 - 16	39	11 - 15 - 11	39VH-5



**VERTICAL HI-RISE FAN COIL UNITS WITH
EPIC ECM, 3-SPEED ECM OR 3-SPEED PSC MOTOR
TYPE S CONCEALED SLAVE
2 PIPE OR 4 PIPE
MODEL SERIES: 39VH • UNIT SIZES 3 – 21**

Electrical Data

Unit Size	EPIC ECM Motor FLA					3-Speed ECM FLA					3-Speed PSC Motor FLA				
	Motor HP	120V	208V	240V	277V	Motor HP	120V	208V	240V	277V	Motor HP	120V	208V	240V	277V
3	*	—	—	—	—	1/3	1.6	1.1	1.1	1.0	1/10	1.8	0.7	0.7	0.6
5	*	—	—	—	—	1/3	2.0	1.4	1.4	1.2	1/10	1.9	0.7	0.7	0.6
6	*	3.6	2.3	2.2	2.0	1/3	2.5	1.8	1.7	1.6	1/6	2.7	1.1	1.1	0.9
8	*	—	—	—	—	1/3	3.4	2.4	2.3	2.1	1/6	2.7	1.1	1.1	0.9
10	*	6.8	4.0	4.3	3.6	1/2	4.7	3.3	3.2	2.9	1/3	4.7	2.0	2.0	1.8
12	*	—	—	—	—	3/4	5.3	3.7	3.7	3.3	1/3	5.5	2.6	2.6	2.1
15	*	8.7	5.8	5.4	4.6	3/4	8.0	5.6	5.5	5.0	1/2	3.5	3.8	3.8	2.8
19	*	12.7	8.5	7.8	6.5	1	11.9	8.3	8.2	7.4	3/4	4.3	5.1	5.1	4.1
21	*	—	—	—	—	1	12.5	8.8	8.6	7.8	3/4	4.2	5.1	5.1	4.1

* The EPIC ECM is a variable horsepower motor. Refer to Selectworks schedule for actual power consumption.
FLA = Full load amperage (high speed fan). All motors are single phase/60 Hz.

MOTOR OPTIONS:

- EPIC ECM. Ultra-high efficiency fan motor with overload protection. EPIC fan volume controller, 0–10 Vdc.
- 3-Speed ECM. Ultra-high efficiency fan motor with overload protection.
- 3-Speed PSC Motor. Energy efficient fan motor with overload protection.

ELECTRIC HEAT:

- Class 'A' 80/20 Ni./Cr. wire.
- Automatic reset high limit cut-outs (one per element).
- Magnetic contactors per stage.

Voltage:

Single phase, 60 Hz.

- 120V 208V 240V 277V

Electric heat options:

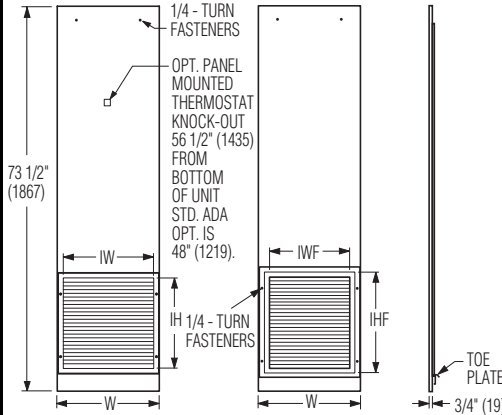
- Door interlocking disconnect switch.
- Main fusing.
- Quiet contactors.
- Manual reset secondary Hi-limit thermal cut out.
- UV light w/safety switch.

SCHEDULE TYPE:		Page 2 of 2.			
PROJECT:		Dimensions are in inches (mm).			
ENGINEER:	DATE	B SERIES	SUPERSEDES	DRAWING NO.	
CONTRACTOR:	8 - 5 - 16	39	11 - 15 - 11	39VH-5	

Type C (Concealed), A/B Paired, M (Master) and S (Slave)

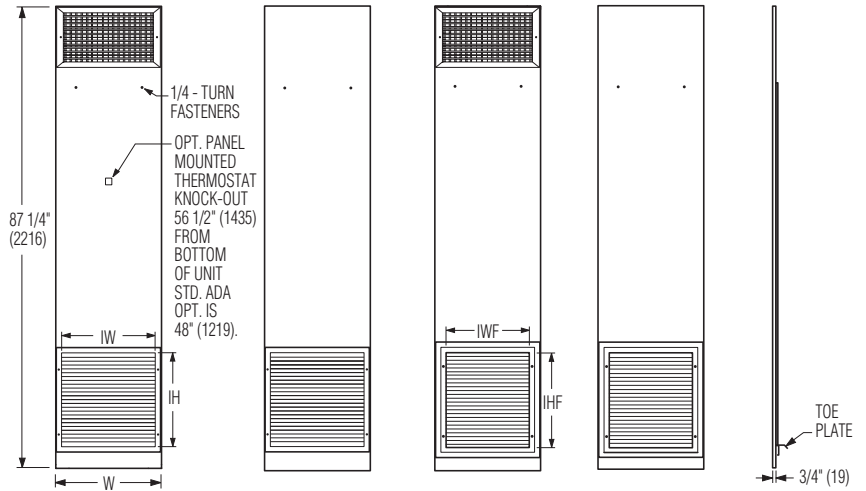
Standard Front Return Air Panel For Concealed Units • Separate Supply Grille

- Std. RA Grille (Code PS)
- Opt. RA Filter Grille (Code PSF)
- Furred In Unit Panel (Concealed Drywall)



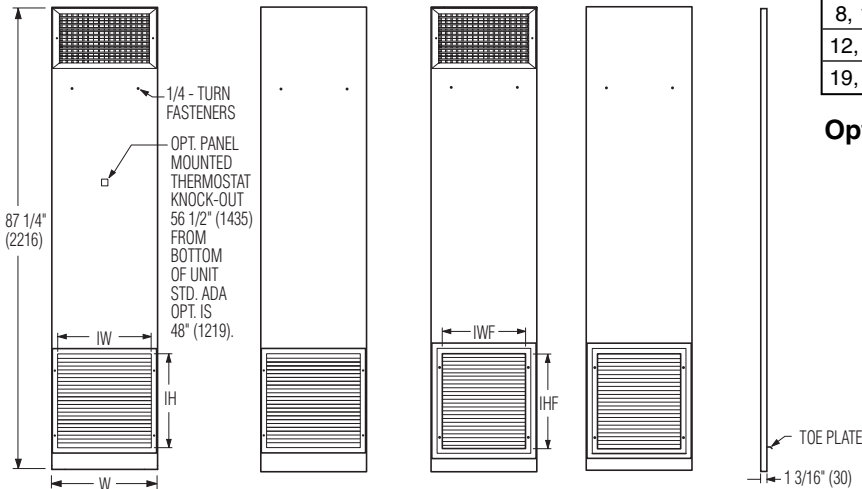
Optional Front Return Air Panels For Concealed Units • Extended Cover (With Integral Front Supply Grille Where Specified)

- Std. RA Grille w/ Front Supply Grille (Code PSX)
- Std. RA Grille (Code PSX)
- Opt. RA Filter Grille w/ Front Supply Grille (Code PSXF)
- Opt. RA Filter Grille (Code PSXF)
- Furred In Unit Panel (Concealed Drywall)



Type E (Exposed) • Extended Full Length Cover (With Integral Front Supply Grille Where Specified)

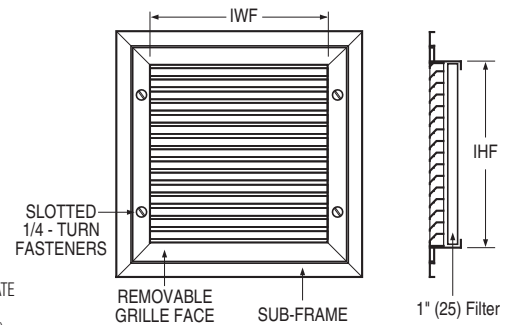
- Std. RA Grille w/ Front Supply Grille (Code PE)
- Std. RA Grille (Code PE)
- Opt. RA Filter Grille w/ Front Supply Grille (Code PEF)
- Opt. RA Filter Grille (Code PEF)
- Exposed Unit Panel



Dimensional Data

Unit Size	W	Standard Return Air Grille IW x IH	Optional Return Air Filter Grille IWF x IHF
3, 5, 6	18 (457)	16 x 15 (406 x 381)	14 x 14 (356 x 356)
8, 10	20 (508)	18 x 21 (457 x 533)	16 x 20 (406 x 508)
12, 15	24 (610)	22 x 26 (559 x 660)	20 x 25 (508 x 635)
19, 21	30 (762)	28 x 26 (711 x 660)	25 x 25 (635 x 635)

Optional Aluminum Filter Grille



NOTES:

- All front panels feature a high free area louvered return grille.
- A removable face filter return grille is available. This option eliminates having to remove the front panel for easier filter replacement.
- The standard reduced height front panels are designed for (furred-in) unit installation concealed by drywall [1/2" to 5/8" (13 to 16)] only.

- Optional full cover front panels with integral grille are also available for concealed drywall installation.
- Hi-Rise fan coil units designed for exposed installation feature a full length front panel with integral front supply grille where specified. These one piece panels mount flush and completely cover the front of the unit. The entire fan coil unit on the non-riser sides is also painted to match. An optional ceiling shroud extension for the fan coil unit is also available.

- Thermostat mounting option: A 7/8" (22.2) knock-out is provided on the return panel where this option is specified. Where the mounting location is to be in accordance with the Americans with Disabilities Act (ADA), the thermostat mounting height is lower than standard; 48" (1219) above the floor.
- Standard finish is a durable baked enamel powder coat, AW appliance white powder coat finish. Custom colors are available.

SCHEDULE TYPE:

PROJECT:

ENGINEER:

CONTRACTOR:

Dimensions are in inches (mm).

DATE	B SERIES	SUPERSEDES	DRAWING NO.
8 - 5 - 16	39	10 - 1 - 14	39VH-6