



Today, most people involved in the HVAC industry around the world are familiar with Nailor Industries Inc. and our comprehensive line of Air Distribution, Air Control and Air Terminal Unit products. However, many may not know that the company had humble beginnings.

The company commenced operations at a small facility in Toronto, Canada manufacturing a single air control device. Michael T. Nailor (President and CEO) started with the founding principle that the company would be customer focused and service orientated, dedicated to fulfilling the need for high quality, competitively priced products, delivered to our customers on schedule.

Nailor management has maintained strict adherence to the 'Superior Customer Service' philosophy for over 40 years and as a result, the company has been rewarded with a continually increasing demand for our products. An ever expanding product offering includes air control and fire/smoke dampers, a complete line of grilles, registers and diffusers as well as fan coil units, fan powered terminal units, silencers, and electric duct heaters that exceed industry standard design and performance specifications.

Nailor International Group has expanded their already outstanding repertoire of companies with Advanced Air, Nailor GTA, Engineered Acoustics, Engineered Comfort, Thermal Corporation, Heatmasters and Manufactured Air Products – a complete line of top quality air distribution and air control products that are available through stocking wholesalers across North America.

Today, with Group International Headquarters in Houston, Texas, the company has manufacturing plants strategically located in three countries to service the North American, European, Middle Eastern and Asian Pacific markets. An international distribution network of representatives in most major cities work together to not only meet but exceed the expectations of clients, engineers and customers around the world.

As a private company, employing a staff of dedicated professionals, Nailor Industries Inc. is prepared to set new benchmarks for service and quality as the company continues to grow and remain the source for your . . .

"Complete Air Control and Distribution Solutions."

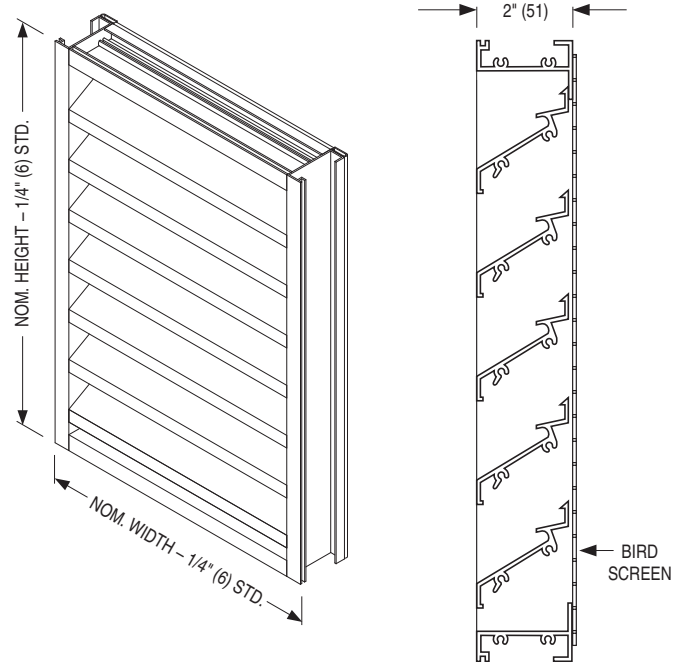
www.nailor.com

Model 1602K

Model 1602K Thinline Frame Louvers utilize stationary K style blades, integrating great weather protection, air performance and low pressure drop with a look that augments any architecture. The blade design features a rear water baffle plus an additional center rain hook, providing additional protection against more forbidding weather conditions. Standard concealed architectural mullions allow for a continuous look. Reinforcing bosses run the full length of each blade for superior strength. Suitable for use in ventilation, exhaust and low to medium velocity intake applications, ideal for use in thin wall and curtain wall applications or A/C units where a full depth louver cannot be used, delivering remarkable performance when a standard 4" (102) or 6" (152) louver is not practical. Available in channel, flanged, or glazing adapter type, the 2" (51) deep frame installs easily in most common wall and mechanical configurations. Nailor's thinline frame louvers are engineered to be aesthetically appealing as well as mechanically enduring.

STANDARD CONSTRUCTION:

- Frame:** 2" (51) deep, Type 6063-T5 extruded aluminum, .060" (1.5) nominal wall thickness. Integral caulking slot provided.
- Blades:** Type 6063-T5 extruded aluminum, .060" (1.5) nominal wall thickness, with reinforcing bosses. K style.
- Blade Angle:** Fixed at 30 degrees.
- Blade Spacing:** Approximately 2" (51) on centers.
- Blade Support Brackets:** Concealed type, factory installed on rear of louver on maximum 48" (1219) centers. Reinforced with 1" x 1" (25 x 25) angle (adds approx. 1" [25] to overall louver depth).
- Mullions:** Concealed architectural style allowing continuous line appearance.
- Screen:** 3/4" x .051 (19 x 1.3) expanded, flattened alum. bird screen in removable frame, inside (rear) mount (adds approx. 3/8" [10] to louver depth).
- Finish:** Mill.
- Minimum Size:** 8" W x 8" H (203 x 203).
- Maximum Single Section Size:** 120" W x 84" H (3048 x 2134) or 84" W x 120" H (2134 x 3048). 70 sq. ft. (6.5 m²). Larger louvers will require field assembly of smaller sections.



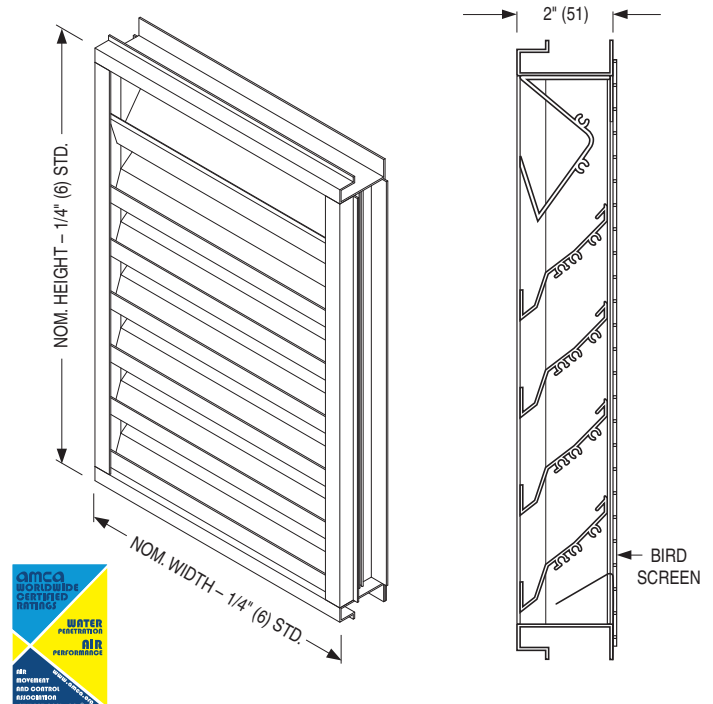
MODEL 1602K

Model 1602D

Model 1602D Thinline Frame Drainable Blade Louvers combine excellent weather protection with pleasing aesthetics. The drainable blade design is enhanced by the drainable head feature, which utilizes a large rain gutter that diverts collected water down concealed side downspouts and out through the sill. This drainable louver delivers outstanding performance where a 4" (102) or 6" (152) louver is not practical. Suitable for use in ventilation, exhaust and low to medium velocity intake applications where water penetration is a concern, ideal for use in thin wall and curtain wall applications or A/C units where a full depth louver cannot be used. Available in channel, flanged, or glazing adapter type, the 2" (51) deep frame installs easily in most common wall and mechanical configurations.

STANDARD CONSTRUCTION:

- Frame:** 2" (51) deep, Type 6063-T5 extruded alum., .060" (1.5) nominal wall thickness. Integral downspouts and caulking slot provided.
- Blades:** Type 6063-T5 extruded aluminum, .060" (1.5) nominal wall thickness, with reinforcing bosses.
- Blade Angle:** Fixed at 45 degrees.
- Blade Spacing:** Approximately 2 1/4" (57) on centers.
- Blade Support Brackets:** Concealed type, factory installed on rear of louver on maximum 48" (1219) centers. Reinforced with 1" x 1" (25 x 25) angle (adds approx. 1" [25] to overall louver depth).
- Mullions:** Concealed type allowing continuous line appearance up to 120" (3048) wide. Larger assemblies require separate visible frames with downspouts.
- Screen:** 3/4" x .051 (19 x 1.3) expanded, flattened alum. bird screen in removable frame, inside (rear) mount (adds approx. 3/8" [10] to louver depth).
- Finish:** Mill.
- Minimum Size:** 8" W x 8" H (203 x 203).
- Maximum Single Section Size:** 120" W x 84" H (3048 x 2134) or 84" W x 120" H (2134 x 3048). 70 sq. ft. (6.5 m²). Larger louvers will require field assembly of smaller sections.



MODEL 1602D



PERFORMANCE DATA:

MODEL: 1602J

FREE AREA in Square Feet and Square Meters

		Width in Inches and Meters																			
		8	12	18	24	30	36	42	48	54	60	66	72	78	84	90	96	102	108	114	120
Height in Inches and Meters	8	0.07	0.12	0.19	0.26	0.33	0.40	0.47	0.54	0.61	0.69	0.76	0.83	0.90	0.97	1.04	1.11	1.18	1.25	1.32	1.39
	0.20	0.01	0.01	0.02	0.02	0.03	0.04	0.04	0.05	0.06	0.06	0.07	0.08	0.08	0.09	0.10	0.10	0.11	0.12	0.12	0.13
	12	0.15	0.26	0.41	0.56	0.72	0.87	1.02	1.18	1.33	1.48	1.63	1.79	1.94	2.09	2.25	2.40	2.55	2.71	2.86	3.01
	0.30	0.01	0.02	0.04	0.05	0.07	0.08	0.09	0.11	0.12	0.14	0.15	0.17	0.18	0.19	0.21	0.22	0.24	0.25	0.27	0.28
	18	0.30	0.50	0.80	1.10	1.39	1.69	1.99	2.29	2.59	2.89	3.18	3.48	3.78	4.08	4.38	4.67	4.97	5.27	5.57	5.87
	0.46	0.03	0.05	0.07	0.10	0.13	0.16	0.18	0.21	0.24	0.27	0.30	0.32	0.35	0.38	0.41	0.43	0.46	0.49	0.52	0.55
	24	0.42	0.70	1.12	1.54	1.96	2.38	2.79	3.21	3.63	4.05	4.47	4.89	5.30	5.72	6.14	6.56	6.98	7.40	7.81	8.23
	0.61	0.04	0.07	0.10	0.14	0.18	0.22	0.26	0.30	0.34	0.38	0.42	0.45	0.49	0.53	0.57	0.61	0.65	0.69	0.73	0.76
	30	0.55	0.90	1.44	1.98	2.52	3.06	3.60	4.14	4.68	5.22	5.76	6.30	6.84	7.38	7.92	8.46	9.00	9.54	10.07	10.61
	0.76	0.05	0.08	0.13	0.18	0.23	0.28	0.33	0.38	0.43	0.48	0.54	0.59	0.64	0.69	0.74	0.79	0.84	0.89	0.94	0.99
	36	0.69	1.15	1.84	2.53	3.21	3.90	4.59	5.27	5.96	6.65	7.34	8.02	8.71	9.40	10.08	10.77	11.46	12.15	12.83	13.52
	0.36	0.06	0.11	0.17	0.23	0.30	0.36	0.43	0.49	0.55	0.62	0.68	0.75	0.81	0.87	0.94	1.00	1.06	1.13	1.19	1.26
	42	0.82	1.35	2.16	2.97	3.78	4.58	5.39	6.20	7.01	7.81	8.62	9.43	10.23	11.04	11.85	12.66	13.46	14.27	15.08	15.89
	1.07	0.08	0.13	0.20	0.28	0.35	0.43	0.50	0.58	0.65	0.73	0.80	0.88	0.95	1.03	1.10	1.18	1.25	1.33	1.40	1.48
	48	0.94	1.56	2.48	3.41	4.34	5.27	6.20	7.14	8.05	8.98	9.91	10.84	11.76	12.69	13.62	14.55	15.48	16.40	17.33	18.26
	1.22	0.09	0.14	0.23	0.32	0.40	0.49	0.58	0.66	0.75	0.83	0.92	1.01	1.09	1.18	1.27	1.35	1.44	1.52	1.61	1.70
	54	1.04	1.73	2.75	3.78	4.81	5.84	6.87	7.90	8.93	9.96	10.99	12.02	13.04	14.07	15.10	16.13	17.16	18.19	19.22	20.25
	1.37	0.10	0.16	0.26	0.35	0.45	0.54	0.64	0.73	0.83	0.93	1.02	1.12	1.21	1.31	1.40	1.50	1.59	1.69	1.79	1.88
	60	1.14	1.90	3.03	4.16	5.29	6.42	7.55	8.68	9.81	10.94	12.07	13.20	14.33	15.46	16.59	17.72	18.85	19.98	21.11	22.24
	1.52	0.11	0.18	0.28	0.39	0.49	0.60	0.70	0.81	0.91	1.02	1.12	1.23	1.33	1.44	1.54	1.65	1.75	1.86	1.96	2.07
66	1.28	2.13	3.40	4.67	5.94	7.21	8.48	9.75	11.02	12.29	13.56	14.84	16.11	17.38	18.65	19.92	21.19	22.46	23.73	25.00	
1.68	0.12	0.20	0.32	0.43	0.55	0.67	0.79	0.91	1.02	1.14	1.26	1.38	1.50	1.61	1.73	1.85	1.97	2.09	2.20	2.32	
72	1.48	2.46	3.93	5.39	6.86	8.33	9.79	11.26	12.73	14.19	15.66	17.13	18.59	20.06	21.53	22.99	24.46	25.93	27.39	28.86	
1.83	0.14	0.23	0.36	0.50	0.64	0.77	0.91	1.05	1.18	1.32	1.45	1.59	1.73	1.86	2.00	2.14	2.27	2.41	2.54	2.68	
78	1.60	2.66	4.25	5.83	7.42	9.01	10.59	12.18	13.76	15.35	16.94	18.52	20.11	21.69	23.28	24.87	26.45	28.04	29.63	31.21	
1.98	0.15	0.25	0.39	0.54	0.69	0.84	0.98	1.13	1.28	1.43	1.57	1.72	1.87	2.02	2.16	2.31	2.46	2.60	2.75	2.90	
84	1.72	2.86	4.57	6.27	7.98	9.68	11.39	13.09	14.80	16.50	18.21	19.91	21.62	23.33	25.03	26.74	28.44	30.15	31.85	33.56	
2.13	0.16	0.27	0.42	0.58	0.74	0.90	1.06	1.22	1.37	1.53	1.69	1.85	2.01	2.17	2.33	2.48	2.64	2.80	2.96	3.12	
90	1.87	3.11	4.97	6.82	8.68	10.53	12.39	14.24	16.10	17.95	19.81	21.66	23.52	25.37	27.23	29.08	30.94	32.79	34.65	36.50	
2.29	0.17	0.29	0.46	0.63	0.81	0.98	1.15	1.32	1.50	1.67	1.84	2.01	2.18	2.36	2.53	2.70	2.87	3.05	3.22	3.39	
96	2.00	3.31	5.29	7.26	9.24	11.21	13.19	15.16	17.14	19.11	21.09	23.06	25.04	27.01	28.99	30.96	32.94	34.91	36.89	38.86	
2.44	0.19	0.31	0.49	0.67	0.86	1.04	1.23	1.41	1.59	1.78	1.96	2.14	2.33	2.51	2.69	2.88	3.06	3.24	3.43	3.61	

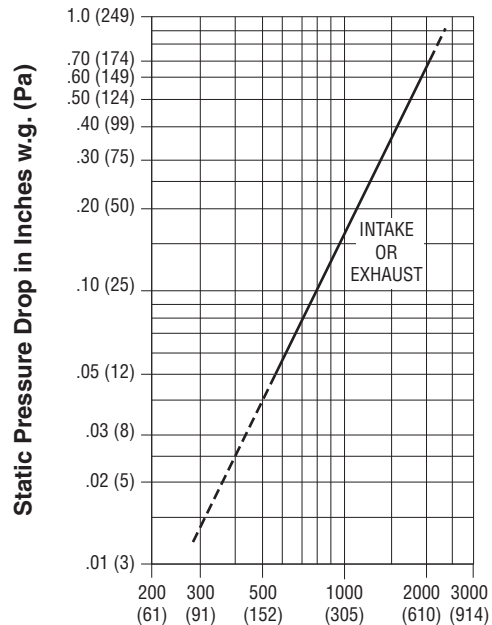
AIRFLOW/WATER PENETRATION DATA

for 48" x 48" (1219 x 1219) Louver Size

Model		1602J
Free Area %		45%
Free Area sq. ft. (sq. m.)		7.14 (0.66)
INTAKE	Free Area Velocity at Point of Beginning Water Penetration at .01 oz./sq. ft. (3 ml/sq. m) (15 min. test duration)	549 fpm (167 m/min.)
	Air Volume at Free Area Velocity shown	3920 cfm (1850 l/s)
	Pressure Drop at Free Area Velocity shown	.05 in. w.g. (12 Pa)

NOTE: To minimize water penetration when sizing intake louvers, select a Free Area Velocity that is **below** the point of beginning water penetration.

MODEL 1602J PRESSURE DROP



Air Velocity in Feet (Meters) Per Minute Through Free Area

Louver test size: 48" x 48" (1219 x 1219 mm).

Standard air density @ 0.075 lbs/ft³.

Tested to AMCA Fig. 5.5 – 6.5.

PERFORMANCE DATA:

MODEL: 1602K

FREE AREA in Square Feet and Square Meters

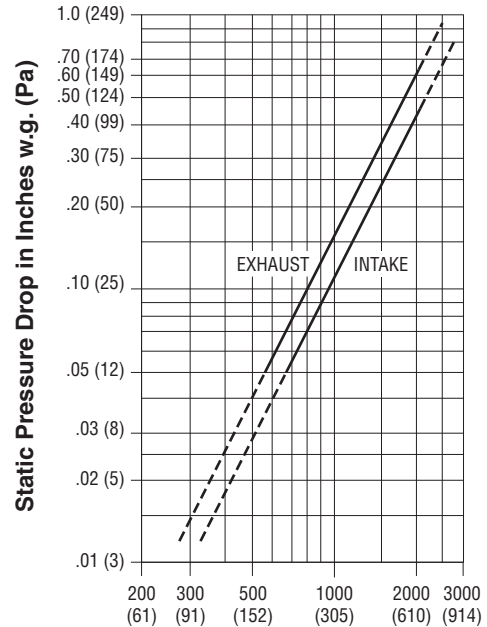
		Width in Inches and Meters																			
		8	12	18	24	30	36	42	48	54	60	66	72	78	84	90	96	102	108	114	120
Height in Inches and Meters	8	0.12	0.19	0.30	0.41	0.53	0.64	0.75	0.86	0.97	1.08	1.19	1.30	1.42	1.53	1.64	1.75	1.86	1.97	2.09	2.20
	0.20	0.01	0.02	0.03	0.04	0.05	0.06	0.07	0.08	0.09	0.10	0.11	0.12	0.13	0.14	0.15	0.16	0.17	0.18	0.19	0.20
	12	0.21	0.33	0.52	0.71	0.90	1.09	1.28	1.47	1.66	1.85	2.03	2.22	2.41	2.60	2.79	2.98	3.16	3.35	3.54	3.73
	0.30	0.02	0.03	0.04	0.06	0.08	0.10	0.11	0.13	0.15	0.17	0.18	0.20	0.22	0.24	0.26	0.27	0.29	0.31	0.33	0.35
	18	0.34	0.54	0.85	1.16	1.48	1.79	2.10	2.41	2.72	3.04	3.35	3.66	3.97	4.28	4.59	4.91	5.22	5.53	5.84	6.15
	0.46	0.03	0.05	0.08	0.10	0.13	0.16	0.19	0.22	0.25	0.28	0.31	0.34	0.36	0.39	0.42	0.45	0.48	0.51	0.54	0.57
	24	0.49	0.79	1.24	1.69	2.14	2.59	3.05	3.50	3.95	4.40	4.85	5.31	5.76	6.21	6.66	7.11	7.56	8.02	8.47	8.92
	0.61	0.05	0.07	0.11	0.15	0.19	0.24	0.28	0.32	0.36	0.40	0.45	0.49	0.53	0.57	0.61	0.66	0.70	0.75	0.79	0.83
	30	0.64	1.03	1.62	2.21	2.80	3.39	3.98	4.57	5.16	5.75	6.33	6.92	7.51	8.10	8.69	9.28	9.87	10.45	11.04	11.63
	0.76	0.06	0.09	0.15	0.20	0.26	0.31	0.37	0.42	0.47	0.53	0.58	0.64	0.69	0.75	0.80	0.86	0.92	0.97	1.03	1.08
	36	0.77	1.24	1.94	2.65	3.36	4.07	4.78	5.49	6.19	6.90	7.61	8.32	9.03	9.74	10.45	11.15	11.86	12.57	13.28	13.99
	0.91	0.07	0.11	0.18	0.24	0.31	0.37	0.44	0.51	0.57	0.64	0.70	0.77	0.83	0.90	0.97	1.03	1.10	1.17	1.23	1.30
	42	0.90	1.44	2.27	3.10	3.92	4.75	5.58	6.41	7.23	8.06	8.89	9.72	10.54	11.37	12.20	13.02	13.85	14.68	15.51	16.33
	1.07	0.08	0.13	0.21	0.28	0.36	0.44	0.51	0.59	0.67	0.74	0.82	0.90	0.98	1.05	1.13	1.21	1.29	1.36	1.44	1.52
	48	1.05	1.69	2.65	3.62	4.59	5.55	6.52	7.55	8.45	9.42	10.38	11.35	12.32	13.28	14.25	15.21	16.18	17.14	18.11	19.08
	1.22	0.10	0.15	0.24	0.33	0.42	0.51	0.60	0.70	0.78	0.87	0.96	1.05	1.14	1.23	1.32	1.41	1.50	1.59	1.68	1.77
	54	1.20	1.94	3.04	4.15	5.26	6.37	7.48	8.59	9.69	10.80	11.91	13.02	14.13	15.24	16.35	17.45	18.56	19.67	20.78	21.89
	1.37	0.11	0.18	0.28	0.38	0.48	0.59	0.69	0.79	0.90	1.00	1.10	1.21	1.31	1.41	1.51	1.62	1.72	1.83	1.93	2.03
	60	1.33	2.14	3.37	4.60	5.82	7.05	8.28	9.51	10.73	11.96	13.19	14.42	15.64	16.87	18.10	19.32	20.55	21.78	23.00	24.23
	1.52	0.12	0.20	0.31	0.42	0.54	0.65	0.77	0.88	0.99	1.11	1.22	1.34	1.45	1.56	1.68	1.79	1.91	2.02	2.14	2.25
66	1.46	2.35	3.70	5.04	6.39	7.73	9.08	10.43	11.77	13.12	14.46	15.81	17.16	18.50	19.85	21.19	22.54	23.88	25.23	26.58	
1.68	0.14	0.21	0.34	0.46	0.59	0.71	0.84	0.96	1.09	1.21	1.34	1.46	1.59	1.71	1.84	1.96	2.09	2.22	2.34	2.47	
72	1.60	2.59	4.07	5.55	7.03	8.51	9.99	11.47	12.95	14.43	15.91	17.39	18.87	20.35	21.83	23.31	24.79	26.27	27.75	29.23	
1.83	0.15	0.24	0.37	0.51	0.65	0.79	0.92	1.06	1.20	1.34	1.47	1.61	1.75	1.89	2.02	2.16	2.30	2.44	2.58	2.72	
78	1.76	2.84	4.47	6.10	7.72	9.35	10.98	12.61	14.23	15.86	17.49	19.12	20.74	22.37	24.00	25.62	27.25	28.88	30.50	32.13	
1.98	0.16	0.26	0.41	0.56	0.71	0.86	1.02	1.17	1.32	1.47	1.62	1.77	1.92	2.07	2.23	2.38	2.53	2.68	2.83	2.98	
84	1.89	3.05	4.80	6.54	8.29	10.03	11.78	13.53	15.27	17.02	18.76	20.51	22.26	24.00	25.75	27.49	29.24	30.98	32.72	34.47	
2.13	0.18	0.28	0.44	0.60	0.77	0.93	1.09	1.25	1.41	1.58	1.74	1.90	2.06	2.23	2.39	2.55	2.72	2.88	3.04	3.20	
90	2.02	3.26	5.12	6.99	8.85	10.72	12.58	14.45	16.31	18.18	20.04	21.91	23.77	25.64	27.50	29.36	31.22	33.09	34.95	36.82	
2.29	0.19	0.30	0.47	0.65	0.82	0.99	1.16	1.34	1.51	1.68	1.86	2.03	2.20	2.38	2.55	2.72	2.90	3.07	3.25	3.42	
96	2.16	3.49	5.48	7.48	9.47	11.47	13.46	15.45	17.45	19.44	21.44	23.43	25.43	27.42	29.42	31.41	33.41	35.40	37.39	39.38	
2.44	0.20	0.32	0.51	0.69	0.88	1.06	1.25	1.43	1.62	1.80	1.99	2.17	2.36	2.54	2.73	2.91	3.10	3.29	3.47	3.66	

AIRFLOW/WATER PENETRATION DATA
for 48" x 48" (1219 x 1219) Louver Size

Model		1602K
Free Area %		47%
Free Area sq. ft. (sq. m.)		7.55 (0.70)
INTAKE	Free Area Velocity at Point of Beginning Water Penetration at .01 oz./sq. ft. (3 ml/sq. m) (15 min. test duration)	401 fpm (122 m/min.)
	Air Volume at Free Area Velocity shown	3028 cfm (1429 l/s)
	Pressure Drop at Free Area Velocity shown	.02 in. w.g. (5 Pa)

NOTE: To minimize water penetration when sizing intake louvers, select a Free Area Velocity that is **below** the point of beginning water penetration.

MODEL 1602K PRESSURE DROP



Air Velocity in Feet (Meters) Per Minute Through Free Area
Louver test size: 48" x 48" (1219 x 1219 mm).
Standard air density @ 0.075 lbs/ft³.
Tested to AMCA Fig. 5.5 – 6.5.

PERFORMANCE DATA:

MODEL: 1602D

FREE AREA in Square Feet and Square Meters

LOUVERS

		Width in Inches and Meters																			
		8	12	18	24	30	36	42	48	54	60	66	72	78	84	90	96	102	108	114	120
Height in Inches and Meters	8	0.07	0.12	0.19	0.27	0.34	0.41	0.49	0.56	0.63	0.70	0.78	0.85	0.92	1.00	1.07	1.14	1.21	1.29	1.36	1.43
	0.20	0.01	0.01	0.02	0.02	0.03	0.04	0.05	0.05	0.06	0.07	0.08	0.09	0.10	0.11	0.11	0.12	0.13	0.13	0.13	0.13
	12	0.15	0.25	0.40	0.55	0.70	0.85	1.01	1.16	1.31	1.46	1.61	1.76	1.91	2.06	2.21	2.36	2.51	2.67	2.82	2.97
	0.30	0.01	0.02	0.04	0.05	0.07	0.08	0.09	0.11	0.12	0.14	0.15	0.16	0.18	0.19	0.21	0.22	0.23	0.25	0.26	0.28
	18	0.27	0.45	0.73	1.00	1.27	1.54	1.81	2.08	2.36	2.63	2.90	3.17	3.44	3.72	3.99	4.26	4.53	4.80	5.08	5.35
	0.46	0.03	0.04	0.07	0.09	0.12	0.14	0.17	0.19	0.22	0.24	0.27	0.29	0.32	0.35	0.37	0.40	0.42	0.45	0.47	0.50
	24	0.39	0.65	1.05	1.44	1.83	2.22	2.61	3.01	3.40	3.79	4.18	4.57	4.97	5.36	5.76	6.14	6.53	6.93	7.32	7.71
	0.61	0.04	0.06	0.10	0.13	0.17	0.21	0.24	0.28	0.32	0.35	0.39	0.42	0.46	0.50	0.53	0.57	0.61	0.64	0.68	0.72
	30	0.54	0.90	1.44	1.98	2.52	3.06	3.60	4.14	4.68	5.22	5.76	6.30	6.84	7.38	7.92	8.46	9.00	9.54	10.08	10.62
	0.76	0.05	0.08	0.13	0.18	0.23	0.28	0.33	0.38	0.43	0.49	0.54	0.59	0.64	0.69	0.74	0.79	0.84	0.89	0.94	0.99
	36	0.66	1.10	1.76	2.42	3.08	3.74	4.40	5.06	5.72	6.38	7.04	7.70	8.36	9.02	9.68	10.34	11.00	11.66	12.32	12.98
	0.36	0.06	0.10	0.16	0.22	0.29	0.35	0.41	0.47	0.53	0.59	0.65	0.72	0.78	0.84	0.90	0.96	1.02	1.08	1.14	1.21
	42	0.78	1.30	2.08	2.86	3.64	4.42	5.20	5.98	6.76	7.54	8.32	9.10	9.88	10.66	11.44	12.22	13.00	13.78	14.56	15.34
	1.07	0.07	0.12	0.19	0.27	0.34	0.41	0.48	0.56	0.63	0.70	0.77	0.85	0.92	0.99	1.06	1.14	1.21	1.28	1.35	1.43
	48	0.93	1.55	2.48	3.41	4.34	5.27	6.20	6.91	7.84	8.77	9.70	10.63	11.56	12.49	13.42	14.35	15.28	16.21	17.14	18.07
	1.22	0.09	0.14	0.23	0.32	0.40	0.49	0.58	0.64	0.75	0.83	0.92	1.01	1.09	1.18	1.27	1.35	1.44	1.53	1.61	1.70
	54	1.05	1.75	2.80	3.85	4.90	5.95	7.00	8.05	9.10	10.15	11.19	12.24	13.29	14.34	15.39	16.44	17.49	18.54	19.59	20.64
	1.37	0.10	0.16	0.26	0.36	0.45	0.55	0.65	0.75	0.84	0.94	1.04	1.14	1.23	1.33	1.43	1.53	1.62	1.72	1.82	1.92
	60	1.17	1.95	3.12	4.29	5.46	6.62	7.79	8.96	10.13	11.30	12.47	13.64	14.81	15.98	17.15	18.32	19.48	20.65	21.82	22.99
	1.52	0.11	0.18	0.29	0.40	0.51	0.62	0.72	0.83	0.94	1.05	1.16	1.27	1.38	1.48	1.59	1.70	1.81	1.92	2.03	2.14
66	1.32	2.20	3.52	4.84	6.15	7.47	8.79	10.11	11.43	12.75	14.07	15.39	16.71	18.02	19.34	20.66	21.98	23.30	24.62	25.94	
1.68	0.12	0.20	0.33	0.45	0.57	0.69	0.82	0.94	1.06	1.18	1.31	1.43	1.55	1.67	1.80	1.92	2.04	2.16	2.29	2.41	
72	1.44	2.40	3.84	5.27	6.71	8.15	9.59	11.03	12.47	13.90	15.34	16.78	18.22	19.66	21.10	22.54	23.97	25.41	26.85	28.29	
1.83	0.13	0.22	0.36	0.49	0.62	0.76	0.89	1.02	1.16	1.29	1.43	1.56	1.69	1.83	1.96	2.09	2.23	2.36	2.49	2.63	
78	1.65	2.76	4.41	6.06	7.71	9.37	11.02	12.67	14.33	15.98	17.63	19.29	20.94	22.59	24.25	25.90	27.55	29.20	30.86	32.51	
1.98	0.15	0.26	0.41	0.56	0.72	0.87	1.02	1.18	1.33	1.48	1.64	1.79	1.95	2.10	2.25	2.41	2.56	2.71	2.87	3.02	
84	1.76	2.93	4.69	6.44	8.20	9.96	11.71	13.47	15.23	16.98	18.74	20.50	22.25	24.01	25.77	27.52	29.28	31.04	32.80	34.55	
2.13	0.16	0.27	0.44	0.60	0.76	0.92	1.09	1.25	1.41	1.58	1.74	1.90	2.07	2.23	2.39	2.56	2.72	2.88	3.05	3.21	
90	1.83	3.05	4.88	6.71	8.54	10.37	12.20	14.04	15.87	17.70	19.53	21.36	23.19	25.02	26.85	28.68	30.51	32.34	34.17	36.00	
2.29	0.17	0.28	0.45	0.62	0.79	0.96	1.13	1.30	1.47	1.64	1.81	1.98	2.15	2.32	2.49	2.66	2.83	3.00	3.17	3.34	
96	1.95	3.25	5.19	7.14	9.09	11.04	12.99	14.93	16.88	18.83	20.78	22.72	24.67	26.62	28.57	30.52	32.46	34.41	36.36	38.31	
2.44	0.18	0.30	0.48	0.66	0.84	1.03	1.21	1.39	1.57	1.75	1.93	2.11	2.29	2.47	2.65	2.83	3.02	3.20	3.38	3.56	
102	2.10	3.50	5.59	7.69	9.79	11.89	13.98	16.08	18.18	20.28	22.37	24.47	26.57	28.67	30.76	32.86	34.96	37.06	39.15	41.25	
2.59	0.19	0.32	0.52	0.71	0.91	1.10	1.30	1.49	1.69	1.88	2.08	2.27	2.47	2.66	2.86	3.05	3.25	3.44	3.64	3.83	
108	2.22	3.70	5.91	8.13	10.35	12.57	14.79	17.00	19.22	21.44	23.66	25.87	28.09	30.31	32.53	34.75	36.96	39.18	41.40	43.62	
2.74	0.21	0.34	0.55	0.76	0.96	1.17	1.37	1.58	1.79	1.99	2.20	2.40	2.61	2.82	3.02	3.23	3.43	3.64	3.85	4.05	
114	2.34	3.90	6.23	8.57	10.91	13.25	15.59	17.93	20.26	22.60	24.94	27.28	29.62	31.95	34.29	36.63	38.97	41.31	43.64	45.98	
2.90	0.22	0.36	0.58	0.80	1.01	1.23	1.45	1.67	1.88	2.10	2.32	2.53	2.75	2.97	3.19	3.40	3.62	3.84	4.05	4.27	
120	2.49	4.14	6.63	9.12	11.61	14.09	16.58	19.07	21.55	24.04	26.53	29.01	31.50	33.99	36.47	38.96	41.45	43.93	46.42	48.91	
3.05	0.23	0.39	0.62	0.85	1.08	1.31	1.54	1.77	2.00	2.23	2.46	2.70	2.93	3.16	3.39	3.62	3.85	4.08	4.31	4.54	

AIRFLOW/ WATER PENETRATION DATA

for 48" x 48" (1219 x 1219) Louver Size

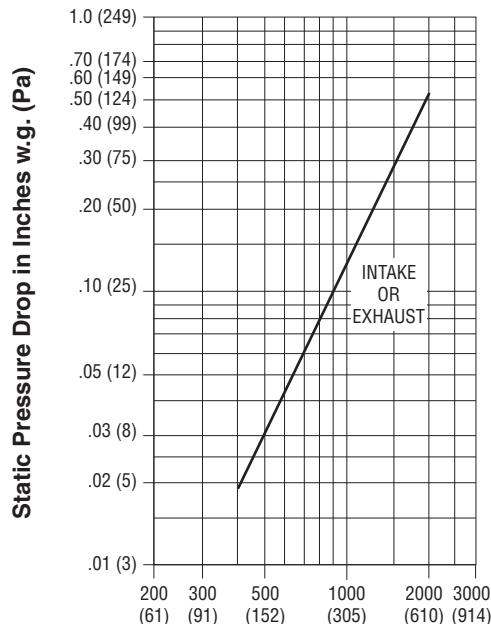
Model		1602D
Free Area %		43%
Free Area sq. ft. (sq. m.)		6.91 (0.64)
INTAKE	Free Area Velocity at Point of Beginning Water Penetration at .01 oz./sq. ft. (3 ml/sq. m) (15 min. test duration)	1123 fpm (342 m/min.)
	Air Volume at Free Area Velocity shown	7760 cfm (3662 l/s)
	Pressure Drop at Free Area Velocity shown	.17 in. w.g. (42 Pa)

NOTE: To minimize water penetration when sizing intake louvers, select a Free Area Velocity that is **below** the point of beginning water penetration.



Nailor Industries Inc. certifies the Model 1602D shown herein is licensed to bear the AMCA Seal. The ratings shown are based on tests and procedures performed in accordance with AMCA Publication 511 and comply with the requirements of the AMCA Certified Ratings Program. Seal applies to air performance ratings and water penetration ratings.

PRESSURE DROP



Air Velocity in Feet (Meters) Per Minute Through Free Area

Louver test size: 48" x 48" (1219 x 1219 mm).

Standard air density @ 0.075 lbs/ft³.

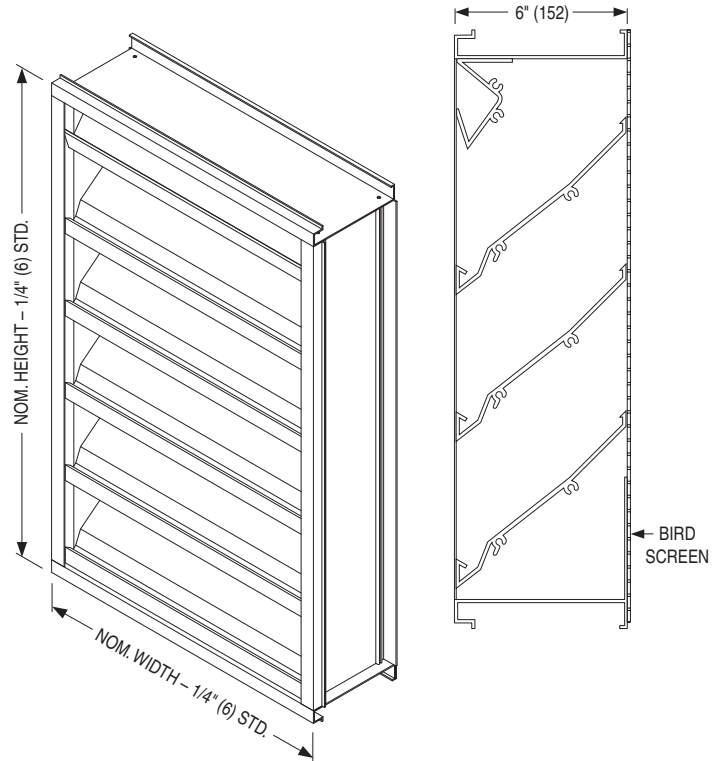
Tested to AMCA Fig. 5.5 - 6.5.

Model 1606D

Model 1606D is designed to provide excellent weather protection in non-wind driven rain conditions with great air performance and pleasing aesthetics that compliment any structure's exterior styling. The drainable head feature is enhanced by the drainable blade design which utilizes additional rain gutters that divert collected water through concealed side downspouts and out the sill, effectively preventing water from infiltrating the space. Blades are reinforced with full length integral bosses for superior strength. Suitable for use in exhaust and low to medium velocity intake applications where water penetration concerns are a priority. Available in channel, flanged, or glazing adaptor type, the 6" (152) deep frame installs easily in most common wall configurations. Model 1606D is AMCA Licensed for Water Penetration and Air Performance.

STANDARD CONSTRUCTION:

- Frame:** 6" (152) deep, Type 6063-T5 extruded aluminum, .080" (2.03) nominal wall thickness. Integral downspouts and caulking slot provided.
- Blades:** Type 6063-T5 extruded aluminum, .080" (2.03) nominal wall thickness, with reinforcing bosses.
- Blade Angle:** Fixed at 37/45 degrees.
- Blade Spacing:** Approximately 5 1/2" (140) on centers.
- Blade Support Brackets:** Concealed type, factory installed on rear of louver on maximum 60" (1524) centers. Reinforced with 1 1/2" x 2" (38 x 51) angle (adds approx. 2" [51] to overall louver depth).
- Mullions:** Concealed type allowing continuous line appearance up to 120" (3048) wide. Larger assemblies require separate visible frames with downspouts.
- Screen:** 3/4" x .051 (19 x 1.3) expanded, flattened aluminum bird screen in removable frame, inside (rear) mount (adds approximately 3/8" [10] to louver depth).
- Finish:** Mill.
- Minimum Size:** 12" W x 12" H (305 x 305).
- Maximum Single Section Size:** 120" W x 84" H (3048 x 2134) or 84" W x 120" H (2134 x 3048). 70 sq. ft. (6.5 m²). Larger louvers will require field assembly of smaller sections.



MODEL 1606D

COMMON OPTIONS:

- Flanged or Glazing Adaptor Frame styles.
- Aluminum or Type 304 Stainless Steel Insect Screens.
- Extended Sills.
- Aluminum Installation Clips or Continuous Angles.
- Variety of Standard and High Performance Powder Coat finishes available in a multitude of colors. Custom color matching available.
- Clear or Color Anodized finishes.



PERFORMANCE DATA:

MODEL: 1604D

FREE AREA in Square Feet and Square Meters

		Width in Inches and Meters																		
		12	18	24	30	36	42	48	54	60	66	72	78	84	90	96	102	108	114	120
Height in Inches and Meters	12	0.30	0.46	0.61	0.76	0.91	1.07	1.22	1.37	1.52	1.68	1.83	1.98	2.13	2.29	2.44	2.59	2.74	2.90	3.05
	0.30	0.31	0.50	0.68	0.87	1.06	1.24	1.43	1.62	1.80	1.99	2.18	2.36	2.55	2.74	2.92	3.11	3.30	3.48	3.67
	0.46	0.54	0.87	1.20	1.52	1.85	2.18	2.50	2.83	3.16	3.48	3.81	4.14	4.47	4.79	5.12	5.45	5.77	6.10	6.43
	0.61	0.78	1.24	1.71	2.18	2.64	3.11	3.58	4.04	4.51	4.98	5.44	5.91	6.38	6.85	7.31	7.78	8.25	8.71	9.18
	0.76	1.06	1.69	2.33	2.97	3.60	4.24	4.87	5.51	6.14	6.78	7.41	8.05	8.69	9.32	9.96	10.59	11.23	11.86	12.50
	0.91	1.29	2.07	2.84	3.62	4.39	5.17	5.95	6.72	7.50	8.27	9.05	9.82	10.60	11.37	12.15	12.93	13.70	14.48	15.25
	1.07	1.57	2.52	3.46	4.41	5.35	6.30	7.24	8.18	9.13	10.07	11.02	11.96	12.91	13.85	14.79	15.74	16.68	17.63	18.57
	1.22	1.81	2.89	3.98	5.06	6.14	7.23	8.26	9.40	10.48	11.57	12.65	13.74	14.82	15.90	16.99	18.07	19.16	20.24	21.33
	1.37	2.04	3.27	4.49	5.71	6.94	8.16	9.39	10.61	11.84	13.06	14.28	15.51	16.73	17.96	19.18	20.41	21.63	22.86	24.08
	1.52	2.32	3.72	5.11	6.50	7.89	9.29	10.68	12.07	13.47	14.86	16.25	17.65	19.04	20.43	21.83	23.22	24.61	26.01	27.40
	1.68	2.56	4.09	5.62	7.15	8.69	10.22	11.75	13.29	14.82	16.35	17.89	19.42	20.95	22.49	24.02	25.55	27.09	28.62	30.15
	1.83	2.84	4.54	6.24	7.94	9.64	11.35	13.05	14.75	16.45	18.15	19.86	21.56	23.26	24.96	26.66	28.37	30.07	31.77	33.47
	1.98	3.07	4.91	6.75	8.60	10.44	12.28	14.12	15.96	17.81	19.65	21.49	23.33	25.17	27.02	28.86	30.70	32.54	34.38	36.23
	2.13	3.30	5.29	7.27	9.25	11.23	13.21	15.20	17.18	19.16	21.14	23.12	25.11	27.09	29.07	31.05	33.03	35.02	37.00	38.98
	2.29	3.58	5.74	7.89	10.04	12.19	14.34	16.49	18.64	20.79	22.94	25.09	27.24	29.39	31.55	33.70	35.85	38.00	40.15	42.30
	2.44	3.82	6.11	8.40	10.69	12.98	15.27	17.56	19.85	22.15	24.44	26.73	29.02	31.31	33.60	35.89	38.18	40.47	42.76	45.05
	2.59	4.10	6.56	9.02	11.48	13.94	16.40	18.86	21.32	23.78	26.24	28.70	31.16	33.62	36.08	38.53	40.99	43.45	45.91	48.37
	2.74	4.33	6.93	9.53	12.13	14.73	17.33	19.93	22.53	25.13	27.73	30.33	32.93	35.53	38.13	40.73	43.33	45.93	48.53	51.13
	2.90	4.57	7.31	10.05	12.79	15.53	18.26	21.00	23.74	26.48	29.22	31.96	34.70	37.44	40.18	42.92	45.66	48.40	51.14	53.88
	3.05	4.85	7.76	10.66	13.57	16.48	19.39	22.30	25.21	28.12	31.02	33.93	36.84	39.75	42.66	45.57	48.48	51.38	54.29	57.20

AIRFLOW/ WATER PENETRATION DATA

for 48" x 48" (1219 x 1219) Louver Size

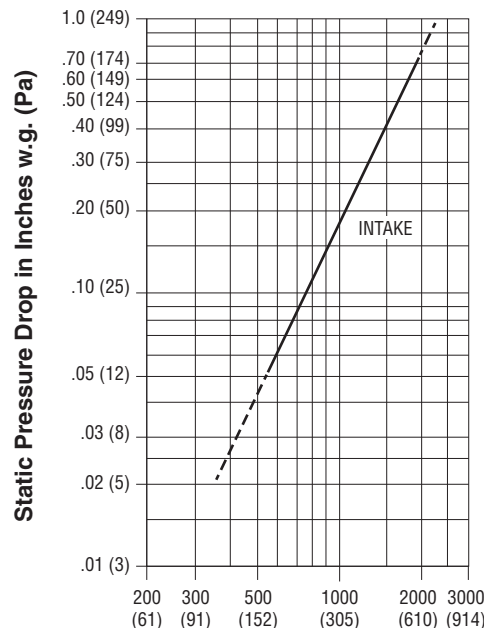
Model		1604D
Free Area %		52%
Free Area sq. ft. (sq. m.)		8.26 (0.77)
INTAKE	Free Area Velocity at Point of Beginning Water Penetration at .01 oz./sq. ft. (3 ml/sq. m) (15 min. test duration)	906 fpm (272 m/min.)
	Air Volume at Free Area Velocity shown	7484 cfm (3532 l/s)
	Pressure Drop at Free Area Velocity shown	.15 in. w.g. (37 Pa)

NOTE: To minimize water penetration when sizing intake louvers, select a Free Area Velocity that is **below** the point of beginning water penetration.



Nailor Industries Inc. certifies the Model 1604D, shown herein is licensed to bear the AMCA Seal. The ratings shown are based on tests and procedures performed in accordance with AMCA Publication 511 and comply with the requirements of the AMCA Certified Ratings Program. The AMCA Certified Ratings Seal applies to Air Performance and Water Penetration ratings.

PRESSURE DROP



Air Velocity in Feet (Meters) Per Minute through Free Area
Louver test size: 48" x 48" (1219 x 1219 mm).
Standard air density @ 0.075 lbs/ft³.
Tested to AMCA Fig. 5.5 – 6.5.

PERFORMANCE DATA:

MODEL: 1606D

FREE AREA in Square Feet and Square Meters

		Width in Inches and Meters																		
		12	18	24	30	36	42	48	54	60	66	72	78	84	90	96	102	108	114	120
Height in Inches and Meters	12	0.24	0.39	0.54	0.70	0.85	1.00	1.15	1.30	1.45	1.60	1.75	1.90	2.05	2.20	2.36	2.51	2.66	2.81	2.96
	0.30	0.02	0.04	0.05	0.06	0.08	0.09	0.11	0.12	0.13	0.15	0.16	0.18	0.19	0.20	0.22	0.23	0.25	0.26	0.27
	18	0.41	0.67	0.93	1.19	1.45	1.70	1.96	2.22	2.48	2.74	2.99	3.25	3.51	3.77	4.03	4.28	4.54	4.80	5.06
	0.46	0.04	0.06	0.09	0.11	0.13	0.16	0.18	0.21	0.23	0.25	0.28	0.30	0.33	0.35	0.37	0.40	0.42	0.45	0.47
	24	0.68	1.10	1.53	1.95	2.38	2.80	3.23	3.65	4.07	4.50	4.92	5.35	5.77	6.20	6.62	7.04	7.47	7.89	8.32
	0.61	0.06	0.10	0.14	0.18	0.22	0.26	0.30	0.34	0.38	0.42	0.46	0.50	0.54	0.58	0.61	0.65	0.69	0.73	0.77
	30	0.93	1.51	2.09	2.67	3.25	3.83	4.40	4.98	5.56	6.14	6.72	7.30	7.88	8.46	9.04	9.62	10.20	10.78	11.35
	0.76	0.09	0.14	0.19	0.25	0.30	0.36	0.41	0.46	0.52	0.57	0.62	0.68	0.73	0.79	0.84	0.89	0.95	1.00	1.05
	36	1.09	1.77	2.45	3.13	3.81	4.49	5.17	5.85	6.53	7.21	7.89	8.58	9.26	9.94	10.62	11.30	11.98	12.66	13.34
	0.36	0.10	0.16	0.23	0.29	0.35	0.42	0.48	0.54	0.61	0.67	0.73	0.80	0.86	0.92	0.99	1.05	1.11	1.18	1.24
	42	1.44	2.34	3.23	4.13	5.03	5.92	6.82	7.72	8.61	9.51	10.41	11.30	12.20	13.10	13.99	14.89	15.79	16.68	17.58
	1.07	0.13	0.22	0.30	0.38	0.47	0.55	0.63	0.72	0.80	0.88	0.97	1.05	1.13	1.22	1.30	1.38	1.47	1.55	1.63
	48	1.69	2.74	3.79	4.84	5.89	6.94	7.99	9.05	10.10	11.15	12.20	13.25	14.30	15.35	16.40	17.46	18.51	19.56	20.61
	1.22	0.16	0.25	0.35	0.45	0.55	0.65	0.74	0.84	0.94	1.04	1.13	1.23	1.33	1.43	1.52	1.62	1.72	1.82	1.91
	54	1.94	3.15	4.36	5.57	6.78	7.99	9.20	10.41	11.62	12.83	14.04	15.25	16.46	17.67	18.88	20.09	21.30	22.51	23.72
	1.37	0.18	0.29	0.41	0.52	0.63	0.74	0.85	0.97	1.08	1.19	1.30	1.42	1.53	1.64	1.75	1.87	1.98	2.09	2.20
60	2.19	3.56	4.93	6.30	7.67	9.04	10.40	11.77	13.14	14.51	15.88	17.24	18.61	19.98	21.35	22.72	24.08	25.45	26.82	
1.52	0.20	0.33	0.46	0.59	0.71	0.84	0.97	1.09	1.22	1.35	1.47	1.60	1.73	1.86	1.98	2.11	2.24	2.36	2.49	
66	2.45	3.98	5.50	7.03	8.55	10.08	11.61	13.13	14.66	16.19	17.71	19.24	20.77	22.29	23.82	25.34	26.87	28.40	29.92	
1.68	0.23	0.37	0.51	0.65	0.79	0.94	1.08	1.22	1.36	1.50	1.65	1.79	1.93	2.07	2.21	2.35	2.50	2.64	2.78	
72	2.70	4.39	6.07	7.76	9.45	11.13	12.82	14.50	16.19	17.87	19.56	21.24	22.93	24.61	26.30	27.98	29.67	31.36	33.04	
1.83	0.25	0.41	0.56	0.72	0.88	1.03	1.19	1.35	1.50	1.66	1.82	1.97	2.13	2.29	2.44	2.60	2.76	2.91	3.07	
78	2.96	4.80	6.65	8.49	10.33	12.18	14.02	15.86	17.71	19.55	21.40	23.24	25.08	26.93	28.77	30.61	32.46	34.30	36.14	
1.98	0.27	0.45	0.62	0.79	0.96	1.13	1.30	1.47	1.65	1.82	1.99	2.16	2.33	2.50	2.67	2.84	3.02	3.19	3.36	
84	3.21	5.22	7.22	9.22	11.22	13.23	15.23	17.23	19.23	21.24	23.24	25.24	27.24	29.25	31.25	33.25	35.25	37.26	39.26	
2.13	0.30	0.48	0.67	0.86	1.04	1.23	1.41	1.60	1.79	1.97	2.16	2.34	2.53	2.72	2.90	3.09	3.28	3.46	3.65	
90	3.47	5.63	7.79	9.95	12.11	14.27	16.44	18.60	20.76	22.96	25.08	27.24	29.40	31.57	33.73	35.89	38.05	40.21	42.37	
2.29	0.32	0.52	0.72	0.92	1.13	1.33	1.53	1.73	1.93	2.13	2.33	2.53	2.73	2.93	3.13	3.33	3.53	3.74	3.94	
96	3.72	6.04	8.36	10.68	13.00	15.32	17.64	19.96	22.29	24.61	26.93	29.25	31.57	33.89	36.21	38.53	40.85	43.17	45.49	
2.44	0.35	0.56	0.78	0.99	1.21	1.42	1.64	1.85	2.07	2.29	2.50	2.72	2.93	3.15	3.36	3.58	3.79	4.01	4.23	
102	3.98	6.46	8.94	11.41	13.89	16.37	18.85	21.33	23.81	26.29	28.77	31.25	33.73	36.20	38.68	41.16	43.64	46.12	48.60	
2.59	0.37	0.60	0.83	1.06	1.29	1.52	1.75	1.98	2.21	2.44	2.67	2.90	3.13	3.36	3.59	3.82	4.05	4.28	4.51	
108	4.23	6.87	9.51	12.15	14.78	17.42	20.06	22.70	25.33	27.97	30.61	33.25	35.89	38.52	41.16	43.80	46.44	49.08	51.71	
2.74	0.39	0.64	0.88	1.13	1.37	1.62	1.86	2.11	2.35	2.60	2.84	3.09	3.33	3.58	3.82	4.07	4.31	4.56	4.80	
114	4.51	7.31	10.12	12.93	15.74	18.55	21.36	24.16	26.97	29.78	32.59	35.40	38.21	41.02	43.82	46.63	49.44	52.25	55.06	
2.90	0.42	0.68	0.94	1.20	1.46	1.72	1.98	2.24	2.51	2.77	3.03	3.29	3.55	3.81	4.07	4.33	4.59	4.85	5.11	
120	4.74	7.70	10.66	13.61	16.57	19.52	22.48	25.44	28.39	31.35	34.31	37.26	40.22	43.17	46.13	49.09	52.04	55.00	57.96	
3.05	0.44	0.72	0.99	1.26	1.54	1.81	2.09	2.36	2.64	2.91	3.19	3.46	3.74	4.01	4.29	4.56	4.83	5.11	5.38	

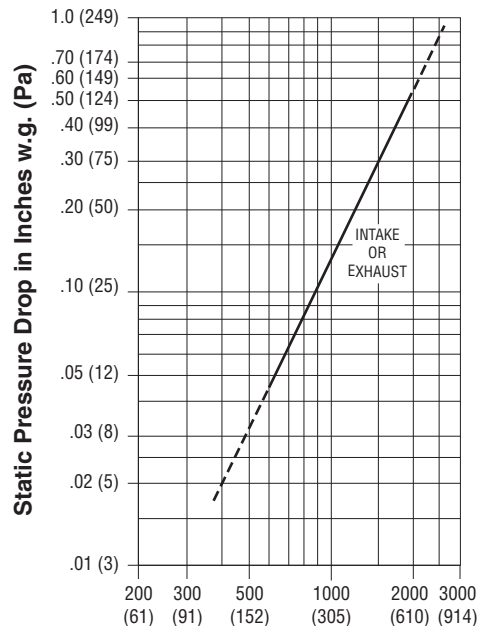
AIRFLOW/WATER PENETRATION DATA

for 48" x 48" (1219 x 1219) Louver Size

Model	1606D	
Free Area %	50%	
Free Area sq. ft. (sq. m.)	7.99 (0.74)	
INTAKE	Free Area Velocity at Point of Beginning Water Penetration at .01 oz./sq. ft. (3 ml/sq. m) (15 min. test duration)	1195 fpm (364 m/min.)
	Air Volume at Free Area Velocity shown	9452 cfm (4460 l/s)
	Pressure Drop at Free Area Velocity shown	.18 in. w.g. (45 Pa)

NOTE: To minimize water penetration when sizing intake louvers, select a Free Area Velocity that is **below** the point of beginning water penetration.

PRESSURE DROP



Air Velocity in Feet (Meters) Per Minute Through Free Area

Louver test size: 48" x 48" (1219 x 1219 mm).

Standard air density @ 0.075 lbs/ft³.

Tested to AMCA Fig. 5.5 - 6.5.



Nailor Industries Inc. certifies the Model 1606D, shown herein is licensed to bear the AMCA Seal. The ratings shown are based on tests and procedures performed in accordance with AMCA Publication 511 and comply with the requirements of the AMCA Certified Ratings Program. The AMCA Certified Ratings Seal applies to Air Performance and Water Penetration ratings.

HOW TO SPECIFY

MODEL 1604D

EXTRUDED ALUMINUM DRAINABLE BLADE LOUVERS

SUGGESTED SPECIFICATION:

Provide and install, as shown on plans and/or schedules, extruded aluminum louvers meeting or exceeding the following criteria: Frame shall be 4" (102) deep channel type (**or specifier to select:** flanged type **or** glazing adapter type), 1/4" (6.3) undersize (**or specifier to select:** exact size **or** 3/8" [9.5] undersize **or** 1/2" [12.7] undersize), with integral caulking slots (and **specifier to select, if required:** extended sill), constructed from ASTM B211 Alloy 6063-T5 extruded aluminum of .080" (2.03) nominal wall thickness. Blades shall be stationary drainable style, with drain gutter in each blade and gutter in head frame, constructed from type 6063-T5 extruded aluminum of .080" (2.03) nominal wall thickness with reinforcing bosses, fixed at 37 degrees on approximately 4" (102) centers and shall be supported by angle reinforced concealed brackets as required to withstand a wind force of not less than 25 pounds per square foot (100 miles per hour). Concealed downspouts in jambs to drain water from louver for minimum water cascade from blade to blade. Factory assembled louver components to be mechanically fastened (**or specifier to select:** welded construction). Concealed type mullions for louvers up to 120" (3048) wide allowing continuous line appearance. Large louvers that require multiple sections for shipping shall be constructed with visible frames with downspouts when installed together on site. Louvers shall be equipped with removable 3/4" x .051 (19 x 1.3) expanded, flattened aluminum bird screen (**or specifier to select:** type 304 stainless steel bird screen **and/or** aluminum insect screen **and/or** type 304 stainless steel insect screen **or** no screen).

Finish shall be standard mill (**or specifier to select:** prime coat **or** 204-R1 clear anodized to a min. depth of 0.4 mil, with 1 year warranty **or** 215-R1 clear anodized to a min. depth of 0.7 mil, with 5 year warranty **or** color anodized; color to be selected from standard Nailor anodizing colors **or** AAMA 2603 thermosetting polyester powder coat, with 1 year warranty; color to be (**specifier to select:** selected from Nailor standard color chart **or** custom color) **or** AAMA 2604 high performance polyester powder coat, with 5 year warranty; color to be (**specifier to select:** selected from Nailor standard color chart **or** custom color) **or** AAMA 2605 FEVE fluoropolymer powder coat, with 10 year warranty; color to be (**specifier to select:** selected from Nailor standard color chart **or** custom color) **or** Kynar 500/Hylar 5000 70% PVDF coating, with 5 year warranty; color to be (**specifier to select:** selected from Nailor standard color chart **or** custom color) **or** Kynar 500/Hylar 5000 50% PVDF coating, with 10 year warranty; color to be (**specifier to select:** selected from Nailor standard color chart **or** custom color).

Furnish where indicated on plans and/or schedules, blank-off panels fabricated by the louver manufacturer. Blank-off panels to be 0.040" (1.02) thick aluminum sheet (**or specifier to select:** 0.040" [1.02] thick aluminum sheet with 1" [25] insulation **or** 0.040" [1.02] thick aluminum sheet with 2" [51] insulation **or** 20 ga. [1.0] galvanized steel **or** 20 ga. [1.0] galvanized steel with 1" [25] insulation **or** 20 ga. [1.0] galvanized steel with 2" [51] insulation). Blank-off panels to be finished to match louvers.

Performance data must be licensed by AMCA under the AMCA 511 Certified Ratings Program and shall bear the AMCA Certified Ratings seal for water penetration and air performance. Free area, water penetration and pressure drop data submitted shall be equal to or better than specified model. Standard of acceptance: Nailor Industries, Inc. Model 1604D.

MODEL 1606D

EXTRUDED ALUMINUM DRAINABLE BLADE LOUVERS

SUGGESTED SPECIFICATION:

Provide and install, as shown on plans and/or schedules, extruded aluminum louvers meeting or exceeding the following criteria: Frame shall be 6" (152) deep channel type (**or specifier to select:** flanged type **or** glazing adapter type), 1/4" (6.3) undersize (**or specifier to select:** exact size **or** 3/8" [9.5] undersize **or** 1/2" [12.7] undersize), with integral caulking slots (and **specifier to select, if required:** extended sill), constructed from ASTM B211 Alloy 6063-T5 extruded aluminum of .080" (2.03) nominal wall thickness. Blades shall be stationary drainable style, with drain gutter in each blade and gutter in head frame. Concealed downspouts in jambs to drain water from louver for minimum water cascade from blade to blade. Constructed from type 6063-T5 extruded aluminum of .080" (2.03) nominal wall thickness, fixed at 37/45 degrees on approximately 5 1/2" (140) centers and shall be supported by angle reinforced concealed brackets as required to withstand a wind force of not less than 25 pounds per square foot (100 miles per hour). Factory assembled louver components to be mechanically fastened (**or specifier to select:** welded construction). Concealed type mullions for louvers up to 120" (3048) wide allowing continuous line appearance. Large louvers that require multiple sections for shipping shall be constructed with visible frames with downspouts when installed together on site. Louvers shall be equipped with removable 3/4" x .051 (19 x 1.3) expanded, flattened aluminum bird screen (**or specifier to select:** type 304 stainless steel bird screen **and/or** aluminum insect screen **and/or** type 304 stainless steel insect screen **or** no screen).

Finish shall be standard mill (**or specifier to select:** prime coat **or** 204-R1 clear anodized to a min. depth of 0.4 mil, with 1 year warranty **or** 215-R1 clear anodized to a min. depth of 0.7 mil, with 5 year warranty **or** color anodized; color to be selected from standard Nailor anodizing colors **or** AAMA 2603 thermosetting polyester powder coat, with 1 year warranty; color to be (**specifier to select:** selected from Nailor standard color chart **or** custom color) **or** AAMA 2604 high performance polyester powder coat, with 5 year warranty; color to be (**specifier to select:** selected from Nailor standard color chart **or** custom color) **or** AAMA 2605 FEVE fluoropolymer powder coat, with 10 year warranty; color to be (**specifier to select:** selected from Nailor standard color chart **or** custom color) **or** Kynar 500/Hylar 5000 70% PVDF coating, with 5 year warranty; color to be (**specifier to select:** selected from Nailor standard color chart **or** custom color) **or** Kynar 500/Hylar 5000 50% PVDF coating, with 10 year warranty; color to be (**specifier to select:** selected from Nailor standard color chart **or** custom color).

Furnish where indicated on plans and/or schedules, blank-off panels fabricated by the louver manufacturer. Blank-off panels to be 0.040" (1.02) thick aluminum sheet (**or specifier to select:** 0.040" [1.02] thick aluminum sheet with 1" [25] insulation **or** 0.040" [1.02] thick aluminum sheet with 2" [51] insulation **or** 20 ga. [1.0] galvanized steel **or** 20 ga. [1.0] galvanized steel with 1" [25] insulation **or** 20 ga. [1.0] galvanized steel with 2" [51] insulation). Blank-off panels to be finished to match louvers.

Performance data must be licensed by AMCA under the AMCA 511 Certified Ratings Program and shall bear the AMCA Certified Ratings seal for water penetration and air performance. Free area, water penetration and pressure drop data submitted shall be equal to or better than specified model. Standard of acceptance: Nailor Industries, Inc. Model 1606D.

- AMCA LICENSED
- DUAL DRAINABLE BLADE
- DRAINABLE HEAD
- PROTECTS AGAINST HEAVY RAIN
- SUPERIOR PERFORMANCE

Models:

- 1604DD 4" (102) Deep
- 1606DD 6" (152) Deep



Model 1604DD

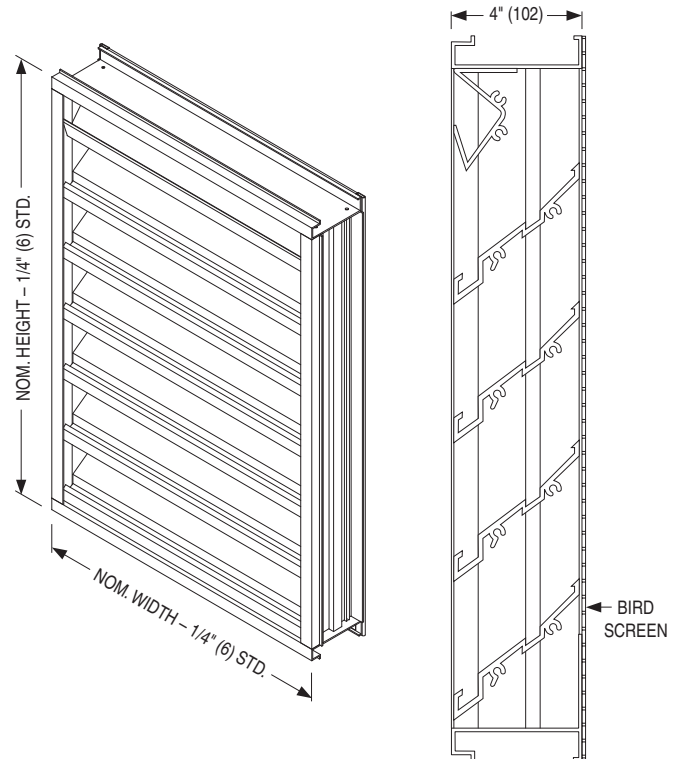
Model 1606DD

Model 1604DD

Model's 1604DD combines exceptional weather protection during the most enduring non-wind driven rain conditions, great air performance through a large free area and pleasing aesthetics that enhance any structure's exterior design. Complemented by a drainable head, the dual drainable blade design utilizes double rain gutters that divert collected water down concealed side downspouts and out through the sill, preventing water from infiltrating the space. Blades are reinforced with full length integral bosses for superior strength. Suitable for use in exhaust and medium to high velocity intake applications where water penetration concerns are a top priority. Available in channel, flanged, or glazing adaptor type, the 4" (102) deep frame installs easily in most common wall configurations. Model 1604DD is AMCA Licensed for Water Penetration and Air Performance.

STANDARD CONSTRUCTION:

- Frame:** 4" (102) deep, Type 6063-T5 extruded aluminum, .080" (2.03) nominal wall thickness. Integral downspouts and caulking slot provided.
- Blades:** Type 6063-T5 extruded aluminum, .080" (2.03) nominal wall thickness, with reinforcing bosses.
- Blade Angle:** Fixed at 37 degrees.
- Blade Spacing:** Approximately 4" (102) on centers.
- Blade Support Brackets:** Concealed type, factory installed on rear of louver on maximum 60" (1524) centers. Reinforced with 1 1/2" x 2" (38 x 51) angle (adds approx. 2" [51] to overall louver depth).
- Mullions:** Concealed type allowing continuous line appearance up to 120" (3048) wide. Larger assemblies require separate visible frames with downspouts.
- Screen:** 3/4" x .051 (19 x 1.3) expanded, flattened aluminum bird screen in removable frame, inside (rear) mount (adds approximately 3/8" [10] to louver depth).
- Finish:** Mill.
- Minimum Size:** 12" W x 12" H (305 x 305).
- Maximum Single Section Size:** 120" W x 84" H (3048 x 2134) or 84" W x 120" H (2134 x 3048). 70 sq. ft. (6.5 m²). Larger louvers will require field assembly of smaller sections.



MODEL 1604DD

COMMON OPTIONS:

- Flanged or Glazing Adaptor Frame styles.
- Aluminum or Type 304 Stainless Steel Insect Screens.
- Extended Sills.
- Aluminum Installation Clips or Continuous Angles.
- Variety of Standard and High Performance Powder Coat finishes available in a multitude of colors. Custom color matching available.
- Clear or Color Anodized finishes.

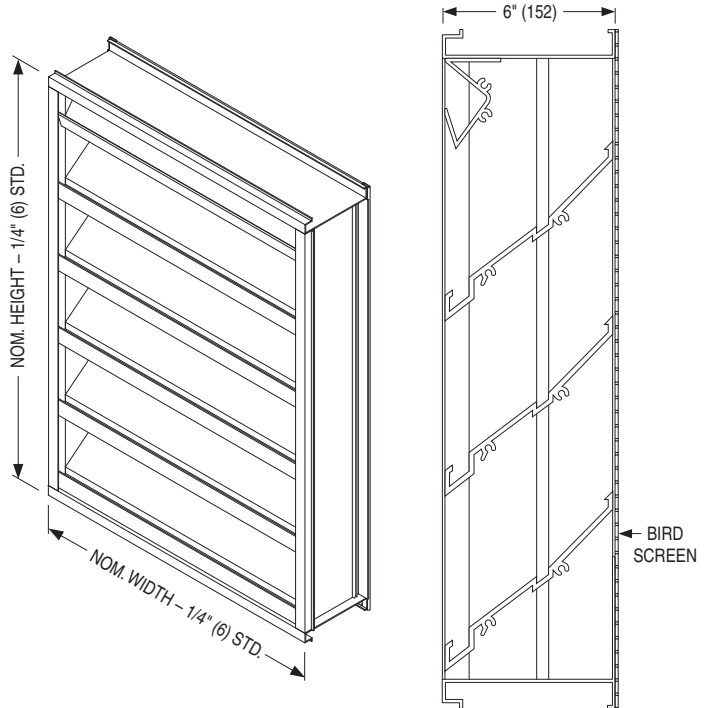


Model 1606DD

Model 1606DD combines exceptional weather protection during the most enduring non-wind driven rain conditions, great air performance through a large free area and a clean look that will enhance the exterior of any structure. Complemented by a drainable head, the dual drainable blade design features double rain gutters that divert cascading water running down the building's face down concealed side downspouts and out through the sill, preventing water from infiltrating the space. Blades are reinforced with full length integral bosses for superior strength. Suitable for use in exhaust and medium to high velocity intake applications where water penetration concerns are a top priority. Available in channel, flanged, or glazing adapter type, the 6" (152) deep frame installs easily in most common wall configurations. Model 1606DD is AMCA Licensed for Water Penetration and Air Performance.

STANDARD CONSTRUCTION:

- Frame:** 6" (152) deep, Type 6063-T5 extruded aluminum, .080" (2.03) nominal wall thickness. Integral downspouts and caulking slot provided.
- Blades:** Type 6063-T5 extruded aluminum, .080" (2.03) nominal wall thickness, with reinforcing bosses.
- Blade Angle:** Fixed at 37 degrees.
- Blade Spacing:** Approximately 6" (152) on centers.
- Blade Support Brackets:** Concealed type, factory installed on rear of louver on maximum 60" (1524) centers. Reinforced with 1 1/2" x 2" (38 x 51) angle (adds approx. 2" [51] to overall louver depth).
- Mullions:** Concealed type allowing continuous line appearance up to 120" (3048) wide. Larger assemblies require separate visible frames with downspouts.
- Screen:** 3/4" x .051 (19 x 1.3) expanded, flattened aluminum bird screen in removable frame, inside (rear) mount (adds approximately 3/8" [10] to louver depth).
- Finish:** Mill.
- Minimum Size:** 12" W x 12" H (305 x 305).
- Maximum Single Section Size:** 120" W x 84" H (3048 x 2134) or 84" W x 120" H (2134 x 3048). 70 sq. ft. (6.5 m²). Larger louvers will require field assembly of smaller sections.



MODEL 1606DD

COMMON OPTIONS:

- Flanged or Glazing Adaptor Frame styles.
- Aluminum or Type 304 Stainless Steel Insect Screens.
- Extended Sills.
- Aluminum Installation Clips or Continuous Angles.
- Variety of Standard and High Performance Powder Coat finishes available in a multitude of colors. Custom color matching available.
- Clear or Color Anodized finishes.



PERFORMANCE DATA:

MODEL: 1604DD

FREE AREA in Square Feet and Square Meters

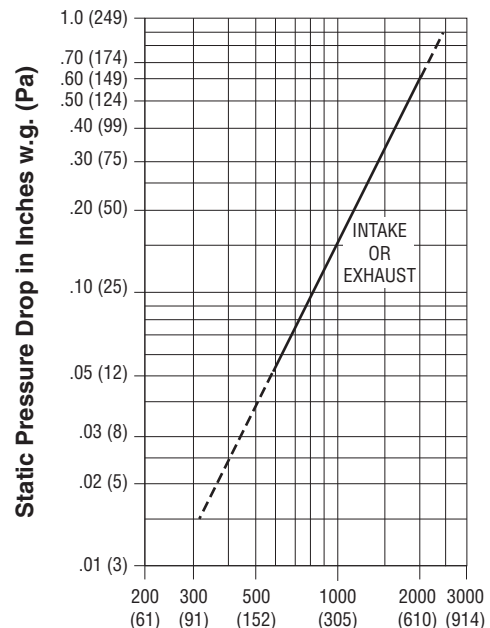
		Width in Inches and Meters																		
		12	18	24	30	36	42	48	54	60	66	72	78	84	90	96	102	108	114	120
Height in Inches and Meters	12 0.30	0.23 0.02	0.37 0.03	0.51 0.05	0.65 0.06	0.79 0.07	0.93 0.09	1.07 0.10	1.21 0.11	1.35 0.13	1.49 0.14	1.63 0.15	1.77 0.16	1.91 0.18	2.05 0.19	2.19 0.20	2.33 0.22	2.47 0.23	2.61 0.24	2.75 0.26
	18 0.46	0.54 0.05	0.86 0.08	1.18 0.11	1.51 0.14	1.83 0.17	2.15 0.20	2.47 0.23	2.80 0.26	3.12 0.29	3.44 0.32	3.77 0.35	4.09 0.38	4.41 0.41	4.73 0.44	5.06 0.47	5.38 0.50	5.70 0.53	6.02 0.56	6.35 0.59
	24 0.61	0.73 0.07	1.17 0.11	1.61 0.15	2.05 0.19	2.49 0.23	2.93 0.27	3.37 0.31	3.81 0.35	4.25 0.40	4.69 0.44	5.13 0.48	5.57 0.52	6.01 0.56	6.45 0.60	6.89 0.64	7.33 0.68	7.77 0.72	8.21 0.76	8.65 0.80
	30 0.76	1.01 0.09	1.62 0.15	2.23 0.21	2.83 0.26	3.44 0.32	4.05 0.38	4.65 0.43	5.26 0.49	5.87 0.55	6.47 0.60	7.08 0.66	7.69 0.71	8.30 0.77	8.90 0.83	9.51 0.88	10.12 0.94	10.72 1.00	11.33 1.05	11.94 1.11
	36 0.91	1.29 0.12	2.06 0.19	2.84 0.26	3.61 0.34	4.39 0.41	5.16 0.48	5.93 0.55	6.71 0.62	7.48 0.70	8.26 0.77	9.03 0.84	9.80 0.91	10.58 0.98	11.35 1.05	12.13 1.13	12.90 1.20	13.67 1.27	14.45 1.34	15.22 1.41
	42 1.07	1.51 0.14	2.42 0.23	3.33 0.31	4.24 0.39	5.15 0.48	6.06 0.56	6.96 0.65	7.87 0.73	8.78 0.82	9.69 0.90	10.60 0.98	11.51 1.07	12.41 1.15	13.32 1.24	14.23 1.32	15.14 1.41	16.05 1.49	16.95 1.58	17.86 1.66
	48 1.22	1.79 0.17	2.87 0.27	3.94 0.37	5.02 0.47	6.09 0.57	7.17 0.67	8.14 0.76	9.32 0.87	10.39 0.97	11.47 1.07	12.54 1.17	13.62 1.27	14.69 1.37	15.77 1.46	16.84 1.56	17.92 1.66	18.99 1.76	20.07 1.86	21.14 1.96
	54 1.37	2.07 0.19	3.31 0.31	4.55 0.42	5.80 0.54	7.04 0.65	8.28 0.77	9.52 0.88	10.76 1.00	12.00 1.12	13.25 1.23	14.49 1.35	15.73 1.46	16.97 1.58	18.21 1.69	19.46 1.81	20.70 1.92	21.94 2.04	23.18 2.15	24.42 2.27
	60 1.52	2.29 0.21	3.67 0.34	5.05 0.47	6.42 0.60	7.80 0.72	9.18 0.85	10.55 0.98	11.93 1.11	13.30 1.24	14.68 1.36	16.06 1.49	17.43 1.62	18.81 1.75	20.19 1.88	21.56 2.00	22.94 2.13	24.32 2.26	25.69 2.39	27.07 2.51
	66 1.68	2.58 0.24	4.13 0.38	5.68 0.53	7.23 0.67	8.78 0.82	10.32 0.96	11.87 1.10	13.42 1.25	14.97 1.39	16.52 1.53	18.07 1.68	19.61 1.82	21.16 1.97	22.71 2.11	24.26 2.25	25.81 2.40	27.36 2.54	28.91 2.69	30.45 2.83
	72 1.83	2.80 0.26	4.47 0.42	6.15 0.57	7.83 0.73	9.50 0.88	11.18 1.04	12.86 1.19	14.54 1.35	16.21 1.51	17.89 1.66	19.57 1.82	21.25 1.97	22.92 2.13	24.60 2.29	26.28 2.44	27.96 2.60	29.63 2.75	31.31 2.91	32.99 3.06
	78 1.98	3.07 0.29	4.92 0.46	6.76 0.63	8.61 0.80	10.45 0.97	12.30 1.14	14.14 1.31	15.99 1.49	17.83 1.66	19.67 1.83	21.52 2.00	23.36 2.17	25.21 2.34	27.05 2.51	28.90 2.68	30.74 2.86	32.59 3.03	34.43 3.20	36.28 3.37
	84 2.13	3.35 0.31	5.36 0.50	7.38 0.69	9.39 0.87	11.40 1.06	13.41 1.25	15.42 1.43	17.43 1.62	19.44 1.81	21.45 1.99	23.47 2.18	25.48 2.37	27.49 2.55	29.50 2.74	31.51 2.93	33.52 3.11	35.53 3.30	37.55 3.49	39.56 3.67
	90 2.29	3.58 0.33	5.72 0.53	7.87 0.73	10.01 0.93	12.16 1.13	14.30 1.33	16.45 1.53	18.59 1.73	20.74 1.93	22.88 2.13	25.03 2.33	27.17 2.52	29.32 2.72	31.46 2.92	33.61 3.12	35.75 3.32	37.90 3.52	40.04 3.72	42.19 3.92
	96 2.44	3.85 0.36	6.17 0.57	8.48 0.79	10.79 1.00	13.10 1.22	15.42 1.43	17.73 1.65	20.04 1.86	22.35 2.08	24.67 2.29	26.98 2.51	29.29 2.72	31.60 2.94	33.91 3.15	36.23 3.37	38.54 3.58	40.85 3.80	43.16 4.01	45.48 4.22
102 2.59	4.14 0.38	6.62 0.61	9.10 0.85	11.58 1.08	14.06 1.31	16.55 1.54	19.03 1.77	21.51 2.00	23.99 2.23	26.47 2.46	28.95 2.69	31.44 2.92	33.92 3.15	36.40 3.38	38.88 3.61	41.36 3.84	43.85 4.07	46.33 4.30	48.81 4.53	
108 2.74	4.36 0.40	6.97 0.65	9.58 0.89	12.20 1.13	14.81 1.38	17.42 1.62	20.04 1.86	22.65 2.10	25.27 2.35	27.88 2.59	30.49 2.83	33.11 3.08	35.72 3.32	38.33 3.56	40.95 3.80	43.56 4.05	46.17 4.29	48.79 4.53	51.40 4.78	
114 2.90	4.63 0.43	7.42 0.69	10.20 0.95	12.98 1.21	15.76 1.46	18.54 1.72	21.32 1.98	24.10 2.24	26.88 2.50	29.66 2.76	32.44 3.01	35.22 3.27	38.00 3.53	40.78 3.79	43.56 4.05	46.34 4.31	49.13 4.56	51.91 4.82	54.69 5.08	
120 3.05	4.86 0.45	7.77 0.72	10.69 0.99	13.60 1.26	16.51 1.53	19.43 1.80	22.34 2.08	25.26 2.35	28.17 2.62	31.09 2.89	34.00 3.16	36.91 3.43	39.83 3.70	42.74 3.97	45.66 4.24	48.57 4.51	51.49 4.78	54.40 5.05	57.32 5.32	

AIRFLOW/WATER PENETRATION DATA for 48" x 48" (1219 x 1219) Louver Size

Model		1604DD
Free Area %		51%
Free Area sq. ft. (sq. m.)		8.14 (0.76)
INTAKE	Free Area Velocity at Point of Beginning Water Penetration at .01 oz./sq. ft. (3 ml/sq. m) (15 min. test duration)	1000 fpm (305 m/min.)
	Air Volume at Free Area Velocity shown	8140 cfm (3841 l/s)
	Pressure Drop at Free Area Velocity shown	.16 in. w.g. (40 Pa)

NOTE: To minimize water penetration when sizing intake louvers, select a Free Area Velocity that is **below** the point of beginning water penetration.

PRESSURE DROP



Air Velocity in Feet (Meters) Per Minute Through Free Area
 Louver test size: 48" x 48" (1219 x 1219 mm).
 Standard air density @ 0.075 lbs/ft³.
 Tested to AMCA Fig. 5.5 – 6.5.



Nailor Industries Inc. certifies the Model 1604DD, shown herein is licensed to bear the AMCA Seal. The ratings shown are based on tests and procedures performed in accordance with AMCA Publication 511 and comply with the requirements of the AMCA Certified Ratings Program. The AMCA Certified Ratings Seal applies to Air Performance and Water Penetration ratings.