

## MODEL SERIES 0100G (1 1/2 HR.) INTEGRAL SLEEVE FOR GRILLE MOUNT

Series 0100G Integral Sleeve Static Curtain Type Fire Dampers are designed for use in conjunction with a steel grille when ductwork terminates at an opening in a fire rated separation. The 0100G Series is 1 1/2 hour UL labeled for use in 2 hour fire separations or less and is classified for use in static "fans off" systems where the HVAC system shuts down in the event of a fire alarm. This unique product utilizes special grille mounting tabs on the sleeve that eliminate the requirement for unsightly retaining angles which commonly protrude from behind the grille. The steel grille installs over and completely conceals the mounting tabs for a clean, aesthetic finish.



Model 0110G

## MODEL SERIES 0200G (1 1/2 HR.) THINLINE FRAME • INTEGRAL SLEEVE FOR GRILLE MOUNT

Model Series 0200G Thinline Frame Integral Sleeve Static Curtain Fire Dampers are engineered and designed for use in conjunction with a steel grille when ductwork terminates at an opening in a fire rated wall/partition. The 0200G Thinline Frame Series is 1 1/2 hour UL labeled for use in 2 hour fire separations or less and classified for use in static "fans off" systems where the HVAC system shuts down in the event of a fire alarm. This unique product utilizes special grille mounting tabs on the sleeve that eliminate the requirement for unsightly retaining angles which commonly protrude from behind the grille. A steel grille installs over and completely conceals the mounting tabs for a clean, aesthetic finish. The 2" (51) deep thinline fire damper is offset in the sleeve to accommodate a single or double deflection grille or register.



Model 0210G

## MODEL 0110GOW (1 1/2 HR.) OUT OF WALL • INTEGRAL SLEEVE FOR GRILLE MOUNT

Model 0110GOW is an "out of wall or floor" integral sleeve static curtain type fire damper, specifically designed for supply or return ducts that terminate at a grille or register for use where local building codes require the protection of HVAC ductwork penetrations in walls, partitions or floors that have a fire resistance rating of up to 2 hours. The 0110GOW is classified for use only in static "fans off" systems where the HVAC system is automatically shut down in the event of a fire alarm. The 0110GOW design provides sufficient damper off-set to accommodate most commercial grille/register designs while ensuring an approved installation in any fire partition or wall no matter how narrow. This model is particularly suited for use in common steel stud drywall partition designs, as narrow as 3 1/2" (89) where a traditional "within the plane of the wall" fire damper installation is not possible.



Model 0110GOW

## MODEL 0130GC GARBAGE CHUTE CURTAIN FIRE DAMPER

Model 0130GC has been specially designed for garbage chute applications. The damper casing is oversized to ensure that the blade stack, fusible link and closure springs are unobstructed from falling waste. The round collar is slightly oversized for direct attachment to the outside of the garbage chute. The design features corrosion resistant steel construction and 100% free area and is available in three standard sizes, 20" dia. (508), 22" dia. (559) and 24" dia. (610), as well as custom sizes.



Model 0130GC

## CURTAIN FIRE DAMPER BASICS:

### Definition of a Fire Damper (per NFPA Standard 90A):

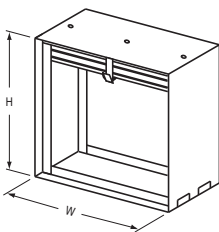
*“A device, installed in an air distribution system, that is designed to close automatically upon detection of heat, to interrupt migratory airflow, and to restrict the passage of flame.”*

Although curtain fire dampers restrict flame and airflow passage as described in the NFPA definition, they are virtually transparent to heat and therefore ineffective for use in openings in fire-rated ceiling assemblies. See Ceiling Damper Basics for more details.

### TYPES OF CURTAIN FIRE DAMPERS

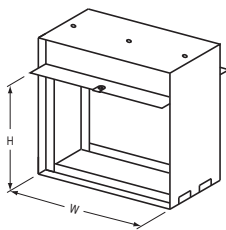
Curtain type fire dampers are generally available in three configuration as follows:

TYPE 'A'



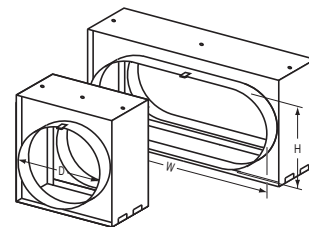
Blades and frame in the airstream.

TYPE 'B'



Blades out of the airstream; With blades out of airstream, provides better free area and resulting pressure drop characteristics than Type 'A', especially on smaller size dampers.

TYPE 'C'



Blades and frame out of the airstream; used mainly for transitioning to round or oval duct. Provides optimum pressure drop characteristics with blades and frame out of airstream.

Openings in vertical fire separations ie: **walls** and **partitions**, require a **vertical mount** fire damper (duct runs horizontally). Gravity causes the blades to drop closed (static rated dampers).

Openings in horizontal fire separations ie: **floors**, require a **horizontal mount** fire damper (duct runs vertically). Horizontal mount fire dampers utilize springs to pull the blades closed.

Dynamic rated fire dampers utilize closure springs in both vertical and horizontal applications to ensure the blades close fully under airflow conditions.

### STATIC RATED VS. DYNAMIC RATED FIRE DAMPERS:

**Static** fire dampers were designed for use in HVAC systems that shut down (fans off) in the event of a fire alarm. They have not been tested to ensure closure while air is moving in the duct.

**Dynamic** fire dampers have been tested under specific airflow and static pressure conditions in order to ensure that the damper will close in today's HVAC designs that utilize 'fans on' smoke management systems. See **Dynamic Fire Damper Selection Procedures** in this section.

Generally, a dynamic rated damper can be used in both static (fans off) or dynamic (fans on) type systems, but a static rated fire damper can only be used in a 'static' system (fans shut down during alarm).

### DID YOU KNOW?....

- Fire dampers must be mounted in a steel sleeve. The damper/sleeve assembly is held in place in the wall, partition or floor by use of retaining angles on each side of the wall etc. Ductwork shall connect to the sleeve on either side, as required, providing a connection that can 'break away' should the ductwork fall during a fire. This allows the damper/sleeve assembly to remain in the wall etc., maintaining the integrity of the fire barrier.
- NFPA 90A requires that fire barriers of less than 3 hours utilize a 1 1/2 hour rated fire damper. Fire barriers of 3 hours or more require a 3 hour rated fire damper.
- All fire dampers must be installed as per manufacturer's UL approved instructions.

- 100% FREE AREA
- GARBAGE CHUTE FIRE DAMPER
- HORIZONTAL MOUNT

**Model:**  
**0130GC Garbage Chute Fire Dampers**



Model 0130GC

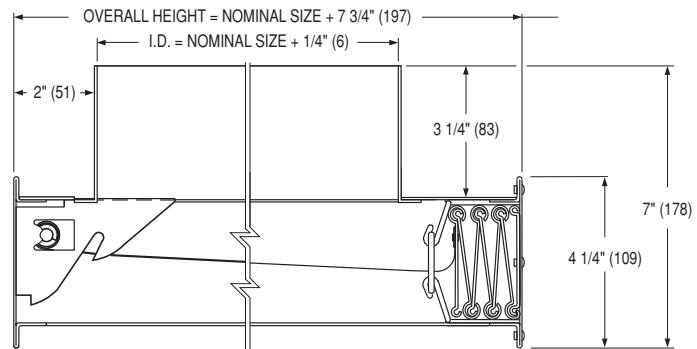
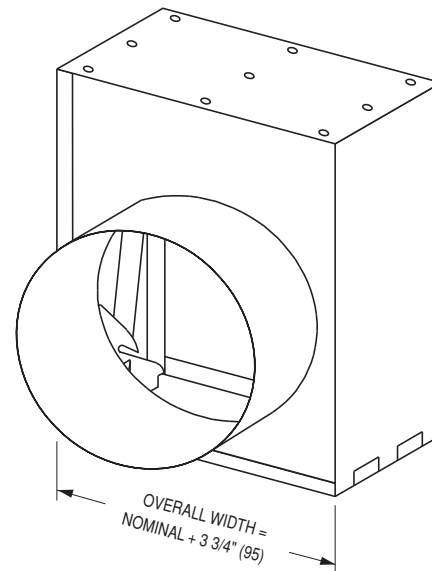
Model 0130GC Garbage Chute Fire Damper has been specifically designed for garbage chute applications. The damper casing is oversized to ensure that the blade stack, fusible link and closure springs are unobstructed from falling waste. The round collar is slightly oversized for direct attachment to the outside of the garbage chute. The design features durable corrosion resistant steel construction, 100% free area and is available in three standard sizes, 20" dia. (508), 22" dia. (559) and 24" dia. (610), as well as custom sizes.

**QUALIFICATIONS:**

- Contact the "Authority Having Jurisdiction" for approval.

**STANDARD CONSTRUCTION:**

	0130GC
<b>Frame:</b>	4 1/4" (108) wide, 22 ga. (0.85) roll-formed galv. steel
<b>Blades:</b>	Curtain type, interlocking blades, 22 ga. (0.85) roll-formed galv. steel
<b>Mounting Collar:</b>	22 ga. (0.85) galvanized steel; 3/4" (19) wide grille mounting flanges
<b>Fusible Link: (UL Listed)</b>	165°F (74°C) std. 212°F (100°C) avail.
<b>Blade Closure:</b>	Stainless steel closure springs with galvanized steel locking ramps
<b>Mounting:</b>	Horizontal mount
<b>Standard Sizes:</b>	20" (508) diameter 22" (559) diameter 24" (610) diameter Note: Other sizes available upon request



D CURTAIN FIRE DAMPERS

**HOW TO SPECIFY**

**MODEL: 0130GC**

**GARBAGE CHUTE FIRE DAMPERS**

**SUGGESTED SPECIFICATION:**

Provide and install, as shown on plans and/or schedules, garbage chute type fire dampers as manufactured by Nailor Industries, Inc. which meet or exceed the following criteria: Fire dampers shall be manufactured and tested in accordance with UL 555 Safety Standard for Fire Dampers. Use of this product may require approval from the local "Authority Having Jurisdiction", as UL does not recognize this application and there are no UL approved installation instructions.

Each fire damper shall be complete with a **(specifier select temperature)** 165°F (74°C) **or** 212°F (100°C) UL Listed fusible link. Garbage chute type fire dampers shall be equipped with closure springs and locking ramps suitable for horizontal mounting and shall be enclosed in a Type C housing, oversized to ensure all damper parts are not exposed to falling debris. Round collar of minimum 22 ga. (0.85) shall be provided on top side only, and shall be oversized for connection over chute. Each shipment of fire dampers shall include same installation instructions. Standard of acceptance shall be Nailor Model 0130GC garbage chute type fire dampers.

## HOW TO ORDER

### MODEL SERIES: 0100 – 0500

### STATIC CURTAIN FIRE DAMPERS

EXAMPLE: 0110H - 24X24 - FL - 165

#### 1a. Models

Static Applications Only

#### Non-Integral Sleeve

- 0110H Horizontal, Type A, 1 1/2 Hr. Label
- 0110V Vertical, Type A, 1 1/2 Hr. Label
- 0120H Horizontal, Type B, 1 1/2 Hr. Label
- 0120V Vertical, Type B, 1 1/2 Hr. Label
- 0130H Horizontal, Type C, Round/Oval, 1 1/2 Hr. Label
- 0130V Vertical, Type C, Round/Oval, 1 1/2 Hr. Label
- 0140H Horizontal, Type C, Sq./Rect., 1 1/2 Hr. Label
- 0140V Vertical, Type C, Sq./Rect., 1 1/2 Hr. Label
- 0210H Thinline, Horizontal, Type A, 1 1/2 Hr. Label
- 0210V Thinline, Vertical, Type A, 1 1/2 Hr. Label
- 0220H Thinline, Horizontal, Type B, 1 1/2 Hr. Label
- 0220V Thinline, Vertical, Type B, 1 1/2 Hr. Label
- 0230H Thinline, Horizontal, Type C, Round/Oval, 1 1/2 Hr. Label
- 0230V Thinline, Vertical, Type C, Round/Oval, 1 1/2 Hr. Label
- 0240H Thinline, Horiz., Type C, Sq./Rect., 1 1/2 Hr. Label
- 0240V Vertical, Type C, Sq./Rect., 1 1/2 Hr. Label
- 0310H Wide Frame, Horizontal, Type A, 1 1/2 Hr. Label
- 0310V Wide Frame, Vertical, Type A, 1 1/2 Hr. Label
- 0510H Horizontal, Type A, 3 Hr. Label
- 0510V Vertical, Type A, 3 Hr. Label
- 0520H Horizontal, Type B, 3 Hr. Label
- 0520V Vertical, Type B, 3 Hr. Label
- 0530H Horizontal, Type C, 3 Hr. Label
- 0530V Vertical, Type C, 3 Hr. Label
- 0540V Wide Frame, Vertical, Type A, 3 Hr. Label
- 0570V Thinline Frame, Vertical, Type A, 3 Hr. Label
- 0580V Thinline Frame, Vertical, Type B, 3 Hr. Label
- 0590V Thinline Frame, Vertical, Type C, 3 Hr. Label
- 0130GC Garbage Chute Fire Damper

#### Integral Sleeve

- 0114 Type A, 1 1/2 Hr. Label
- 0124 Type B, 1 1/2 Hr. Label
- 0134 Type C, 1 1/2 Hr. Label
- 0110G Grille Mount, Type A, 1 1/2 Hr. Label
- 0120G Grille Mount, Type B, 1 1/2 Hr. Label
- 0130G Grille Mount, Type C, 1 1/2 Hr. Label
- 0210G Thinline, Grille Mount, Type A, 1 1/2 Hr. Label
- 0220G Thinline, Grille Mount, Type B, 1 1/2 Hr. Label
- 0230G Thinline, Grille Mount, Type C, 1 1/2 Hr. Label
- 0110GOW Out of Wall, Grille Mount, Type A, 1 1/2 Hr. Label

#### 1b. Integral Sleeve Length (01X4 Series only)

- Add Suffix to Model Number
- 12H 12" (305) Horiz. Mount 12" x 22 GA.
  - 12V 12" (305) Vert. Mount 12" x 22 GA.
  - 14H 14" (356) Horiz. Mount 14" x 22 GA.
  - 14V 14" (356) Vert. Mount 14" x 22 GA.
  - 16H 16" (406) Horiz. Mount 16" x 22 GA.
  - 16V 16" (406) Vert. Mount 16" x 22 GA.

#### 1c. Transition:

- #### (Non-Integral Sleeve Type C only)
- CO Oval
  - CR Round
  - CSR Sq./Rect. (1 1/2 Hr. Label only)

#### 2. Duct Size

Width x Height  
inches (mm's)

#### 2b. Pressure (Type C only)

- LP Low Pressure (unsealed)
- HP High Pressure (sealed)

#### 2c. Collar (Type CSR only)

- WC With Collar (default)
- NC No Collar

#### 3. Closure Device

- FL Fusible Link (default)
- EML Easy Maintenance Link
- ETL Electrothermal Link

#### 4. Closure Temperature

- 165 165°F (74°C) (default)
- 212 212°F (100°C)

#### 5. Sleeve Length

– None (default)

#### SL = Specify

8" - 28" (203 - 700)

#### 6a. Sleeve Gauge

- None (default)
- 20G 20 Ga. Standard
- 22G 22 Ga.
- 18G 18 Ga.
- 16G 16 Ga.
- 14G 14 Ga.
- 10G 10 Ga.

#### 6b. \*Sleeve Style (0120 only)

- STY2 Type 2 Standard (default)
- STY1 Type 1 Optional

#### OPTIONS & ACCESSORIES:

#### 7. Pull Tab Release

- None (default)
- PT Pull Tab Release

#### 8. Micro Switch

- None (default)
- MS 24 VAC Micro-Switch
- MSE 24/120 VAC Micro-Switch w/Enc.

#### 9. Retaining Angles

- None (default)
- QS1 One Side
- QS2 Two Sides (pair)

#### 10. Sleeve Accessory

- None (default)
- HM1 One End and G Type
- HM2 Both Ends
- TDF1 One End
- TDF2 Both Ends

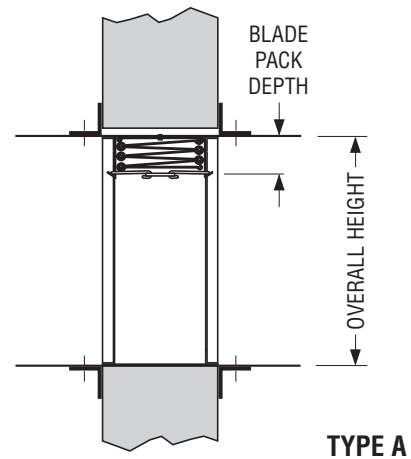
#### Notes:

1. Not all variants and options are available on all models. Refer to individual model for selection availability.
2. \*Refer to "Options and Accessories" page D64 for details on Sleeve B types.

**BLADE PACK DEPTH FOR 6" (152) WIDE FRAME FIRE DAMPERS**

**MODELS: 0310 AND 0540 (TYPE A)**

Duct Opening Height		Type "A" Overall Height		Blade Pack Depth	
(inches)	(mm)	(inches)	(mm)	(inches)	(mm)
4	102	3 3/4	95	3/4	19
5	127	4 3/4	121	7/8	22
6	152	5 3/4	146	7/8	22
7	178	6 3/4	171	7/8	22
8	203	7 3/4	197	1 1/4	32
9	229	8 3/4	222	1 1/4	32
10	254	9 3/4	248	1 1/4	32
11	279	10 3/4	273	1 3/8	35
12	305	11 3/4	298	1 3/8	35
13	330	12 3/4	324	1 3/8	35
14	356	13 3/4	349	1 5/8	41
15	381	14 3/4	375	1 5/8	41
16	406	15 3/4	400	1 5/8	41
17	432	16 3/4	425	1 3/4	44
18	457	17 3/4	451	1 3/4	44
19	483	18 3/4	476	1 3/4	44
20	508	19 3/4	502	2	51
21	534	20 3/4	527	2	51
22	559	21 3/4	552	2	51
23	584	22 3/4	578	2	51
24	610	23 3/4	603	2 1/4	57
25	635	24 3/4	629	2 1/4	57
26	661	25 3/4	654	2 1/2	64
27	656	26 3/4	679	2 1/2	64
28	711	27 3/4	705	2 1/2	64
29	737	28 3/4	730	2 1/2	64
30	762	29 3/4	756	2 5/8	67
31	787	30 3/4	781	2 5/8	67
32	813	31 3/4	806	2 5/8	67
33	838	32 3/4	832	2 5/8	67
34	864	33 3/4	857	2 7/8	73
35	889	34 3/4	883	2 7/8	73
36	914	35 3/4	908	2 7/8	73
37	940	36 3/4	933	3 1/8	79
38	965	37 3/4	959	3 1/8	79
39	991	38 3/4	984	3 1/8	79
40	1016	39 3/4	1010	3 3/8	86
41	1041	40 3/4	1035	3 3/8	86
42	1067	41 3/4	1060	3 3/8	86
43	1092	42 3/4	1086	3 3/8	86
44	1117	43 3/4	1111	3 1/2	89
45	1143	44 3/4	1137	3 1/2	89
46	1168	45 3/4	1162	3 1/2	89
47	1194	46 3/4	1187	3 3/4	95
48	1219	47 3/4	1213	3 3/4	95
49	1245	48 3/4	1238	3 3/4	95
50	1270	49 3/4	1264	3 3/4	95
51	1296	50 3/4	1289	3 7/8	98
52	1321	51 3/4	1314	3 7/8	98
53	1346	52 3/4	1340	3 7/8	98
54	1372	53 3/4	1365	4 1/8	105
55	1397	54 3/4	1391	4 1/8	105
56	1423	55 3/4	1416	4 1/8	105
57	1448	56 3/4	1441	4 1/8	105
58	1473	57 3/4	1467	4 1/4	108
59	1499	58 3/4	1492	4 1/4	108
60	1524	59 3/4	1518	4 1/4	108



**DAMPER OVERALL WIDTH**  
= Duct Opening - 1/4" (6).

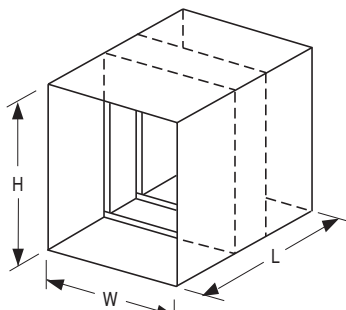
## Options and Accessories

Nailor curtain type fire dampers are tested by and listed with Underwriters Laboratories Inc. and are manufactured within UL procedural requirements.

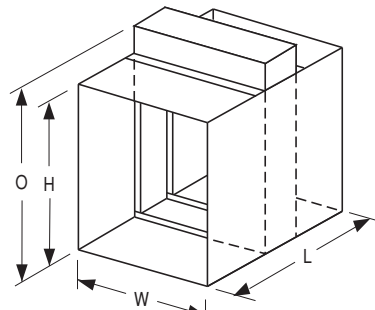
### SLEEVE OPTIONS:

#### CUSTOM SLEEVES FOR NON-INTEGRAL SLEEVE MODELS

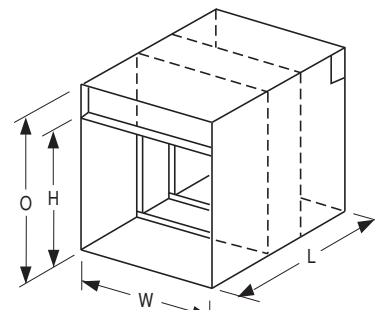
Fire dampers, in most cases, must be mounted in a steel sleeve and the damper/sleeve assembly is to be held in place in the wall, partition or floor by use of steel retaining angles. This allows for the ductwork to 'break-away' from the sleeve should the ductwork fall during a fire, thus leaving the sleeve/fire damper intact in the opening to maintain the integrity of the fire separation. Nailor factory furnished sleeves ensure proper fit to UL standards, allow for direct shipment of dampers to jobsite eliminating the need for costly shop handling and provide for convenient, fast installation.



**TYPE 'A'**  
BLADES AND FRAME IN AIRSTREAM

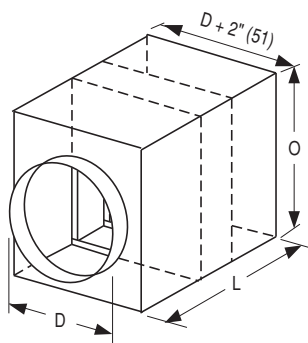


STYLE 1 (OPTIONAL)

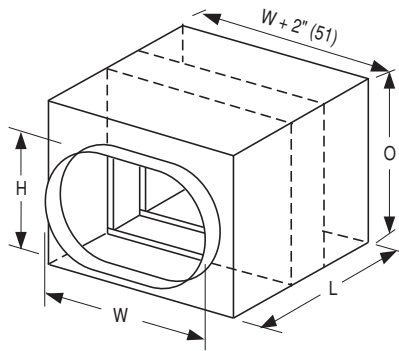


STYLE 2 (STANDARD)

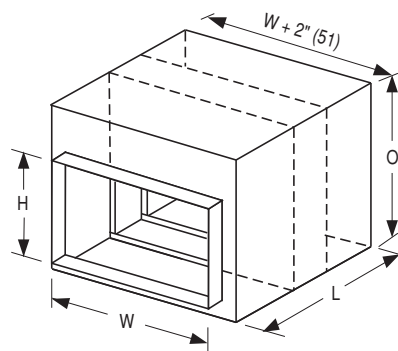
**TYPE 'B' BLADES OUT OF AIRSTREAM**



**TYPE 'CR'**  
ROUND TRANSITION COLLARS/DUCT.  
100% FREE AREA.



**TYPE 'CO'**  
FLAT OVAL TRANSITION COLLARS/DUCT.  
100% FREE AREA.



**TYPE 'CSR'**  
RECTANGULAR TRANSITION COLLARS/DUCT.  
100% FREE AREA.

#### Dimensional Data:

- W = Nominal duct width
  - H = Nominal duct height
  - D = Nominal duct diameter
  - L = Sleeve length
  - O = Overall damper height
- For 'O' dimension and relationship to duct height, refer to the particular damper model sizing chart.

#### Notes:

1. Type CR duct collars are furnished 1/8" (3) undersize for duct dimensions up to 36" dia. (914) and 1/4" (6) undersize on larger sizes. Type CO and CSR duct collars are furnished 1/8" (3) undersize for duct dimensions up to 36" x 24" (914 x 610) and 1/4" (6) undersize on larger sizes. Collars are 1 1/4" (32) minimum length.
2. For size limitations see MIN/MAX. UL SIZES charts beginning on page D8.
3. Dampers are centered in sleeve unless specified otherwise.



## SLEEVE OPTIONS:

### CUSTOM SLEEVES FOR NON-INTEGRAL SLEEVE MODELS

OPTION CODE **SL**  
SLEEVE LENGTH

**When selecting sleeve option SL please specify sleeve length.**

Fire damper sleeves are required to extend out beyond the wall or floor opening an adequate amount in order to allow for fastening of perimeter angles to sleeve and connection to duct. UL 555 requires that the length of the sleeve extending beyond the wall or floor opening shall not exceed 6" (152) on each side for fire dampers intended for use without an actuator or factory installed access door in the sleeve.

However, the sleeve may extend up to a maximum of 16" (406) beyond the wall or floor on either side provided the extended side(s) is used to accommodate an actuator or a factory mounted access door (See UL 555 Sixth Edition June 1999, Section 6.4).

Sleeves are available in lengths from 8" (203) minimum up to 36" (914). Standard sleeve is 12" (305) long x 20 ga. (1.0).

OPTION CODES  
**10G, 14G, 16G, 18G, 20G, 22G**  
SLEEVE GAUGE

**When selecting sleeve option SL please specify sleeve gauge if other than standard.**

Nailor factory-fitted sleeves are constructed from quality galvanized steel and are available in 22 ga. through 10 ga. (0.85 through 3.5) as required for application. Standard sleeve is 12" (305) long x 20 ga. (1.0). Sleeves over 84" (2134) in width are minimum 18 ga. (1.3) to meet SMACNA minimum requirements. Sleeve gauge must conform to SMACNA Duct Construction Standards and shall not be less than the gauge of the duct to which it is attached, for sleeves exposed to the airstream.

OPTION CODES **HM1, HM2**  
HEMMED SLEEVE END(S)



Sleeve with Option Code HM2 shown.

In order to more easily facilitate connection to square or rectangular ducts, Nailor offers hemmed sleeve ends suitable for use as a 'breakaway' connection on sleeves of up to a maximum 20" (508) in height, in accordance with UL requirements. This allows "S" slips and flat drive slips to be used. Option Code **HM1** will provide only one end hemmed, suitable for use on sleeves that terminate flush with a wall to facilitate grille mounting for example. Option Code **HM2** will provide both ends hemmed for connection of ductwork to both ends of sleeve.

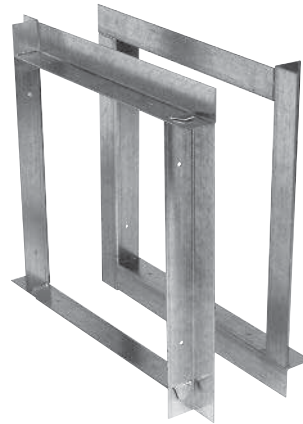


## RETAINING ANGLES:

### FOR USE WITH ALL SLEEVED FIRE DAMPERS

- Maximum size: 90" x 48" (2286 x 1219) or 48" x 90" (1219 x 2286).

OPTION CODES  
**QS2** TWO SIDES (PAIR)  
**QS1** ONE SIDE  
 'QUICK-SET' RETAINING ANGLES



#### BENEFITS:

- Factory fabricated by the manufacturer to suit the individual fire damper.
- Dampers can ship directly to the job site complete with all necessary installation sheet metal hardware (saves on double handling at contractor's shop).
- Reduced cost when compared to conventional retaining angles.
- Only two sets of angles to handle per damper (rather than eight).
- Angles ship with individual damper - no sorting or matching.
- Pre-drilled holes on 8" (203) centers to ensure correct angle/sleeve attachment.
- Help ensure a correct installation as per U.L. approved installation instructions.

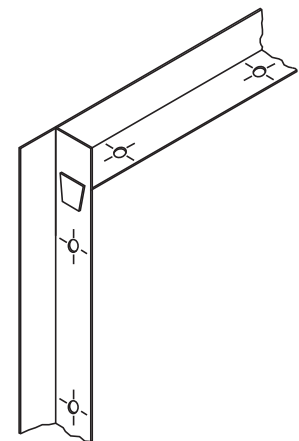
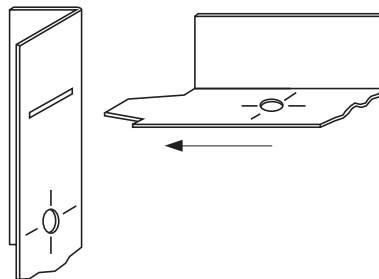
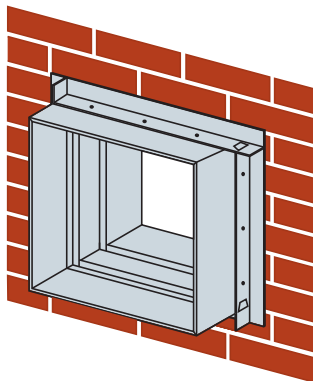
The majority of installing contractors view fire damper installation as a costly time consuming and troublesome procedure. Eight conventional angles must be custom fabricated for each damper either in a sheet metal shop or at the job site and sized to suit each individual damper. Invariably, they are mislaid or lost and must be matched to each factory supplied damper. The Nailor "Quick-Set" solution solves the majority of problems. They are pre-formed to fit each damper and shipped with the individual damper units for ultimate convenience.

Nailor "Quick-Set" retaining angles are an accessory option for all dampers ordered with factory sleeves.

**QS2:** Two sides (pair). For standard installations where angles are installed on both sides of the fire partition.

**QS1:** One side (single set). For use in a single side retaining angle installations and with grille mount and "out of wall" damper models. "Quick-Set" angles are supplied with correctly spaced pre-drilled screw-holes to ensure a quick, easy and accurate installation for all Nailor fire dampers - no measuring required.

"Quick-Set" retaining angles when specified and supplied with Nailor integral sleeve fire dampers provide the "complete" installation package. Simple, fast, convenient.



**Style 1:** 1 1/2" x 1 1/2" x 20 ga. (38 x 38 x 1.0) Four sides are connected together with rivets in three corners. Standard for the majority of applications with the following limitations:

- 1 1/2 hour label fire dampers.
- Maximum Size: 36" x 36" (914 x 914).
- Two sided installation only.

**Style 2:** 1 1/2" x 1 1/2" x 16 ga. (38 x 38 x 1.6) Slot and tab design. The retaining angle assembly for each side has four angles, each with a tab end and a slot end (Detail A). The tabs are to be inserted into the slots and knocked down either before or after fastening to the sleeve (Detail B).

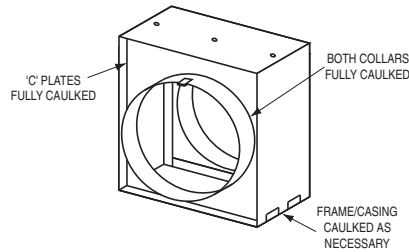
- 1 1/2 or 3 hour label fire dampers.
- Maximum Size: 90" x 48" (2286 x 1219) or 48" x 90" (1219 x 2286).
- Single side (1 1/2 hour only. Refer to Single Side Retaining Angles Supplementary Installation Instructions for size limitations) or two sided installation.

## SEALING OPTIONS FOR TYPE C TRANSITIONS:

**OPTION CODE LP**  
LOW PRESSURE (UNSEALED)

Standard construction on Type C fire dampers. Transition casing and collars are unsealed. Suitable for use in most low pressure applications involving static pressures up to 2" w.g. (5 kPa).

**OPTION CODE HP**  
HIGH PRESSURE (SEALED)



Sealed for use in medium and high pressure applications up to 6" w.g. (1.5 kPa), Type C fire dampers with HP option are externally caulked to minimize leakage through casing and collars.

## CLOSURE DEVICES:

**OPTION CODE FL**  
FUSIBLE LINK



All Nailor curtain type fire dampers are equipped as standard with a UL Listed fusible link that will melt, or 'fuse', when it is subjected to its rated melting temperature, allowing the damper to close. 165°F (74°C) fusible link is provided as standard. 212°F (100°C) is also available (See Closure Temperature Options).

## CLOSURE DEVICES:

OPTION CODE **EML**  
EASY MAINTENANCE LINK

**Nailor's Easy Maintenance Link provides a simple solution for the awkward task of manually testing curtain type fire dampers.**

NFPA 80, *Standard for Fire Doors and Other Opening Protectives*, requires periodic inspection and testing of fire dampers 1 year after installation and then every 4 years, except for hospitals, where the frequency is every 6 years. Nailor's EML allows you to release, test and reload a standard 4 1/4" (108) deep frame fire damper quickly and easily with one hand, even through the smallest access door. This saves time and money, and even encourages fire damper maintenance, ensuring the protection of building occupants. 165°F (74°C) temperature rating is standard. 212°F (100°C) is also available. The EML is accessible from either side of the damper, providing safe and reliable convenience. EML must be factory installed and cannot be added in the field.



### SUGGESTED SPECIFICATION:

(Add to standard frame fire damper specifications):

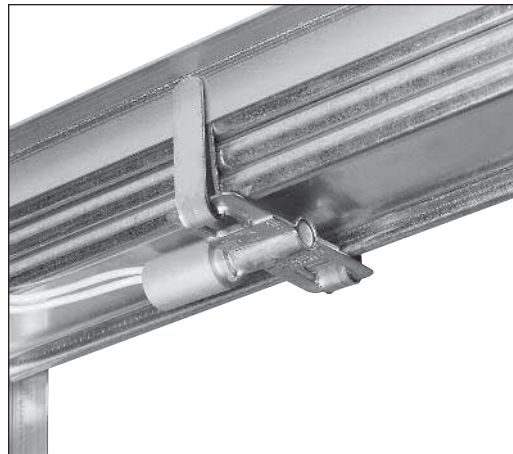
Curtain type fire dampers shall each be equipped with factory installed Easy Maintenance Link (EML), as manufactured by Nailor Industries. EML shall be accessible from either side of damper and shall allow for releasing, testing and relatching of blades with one hand.

## CLOSURE DEVICES:

**OPTION CODE ETL**  
ELECTRO-THERMAL LINK

Nailor's Electro-Thermal Link (ETL<sup>®</sup>) is a dual responsive fusible link that melts when either the link is subjected to local heat (165°F (74°C)) exactly the same as an ordinary fusible link, or when an electrical impulse from an external source such as a smoke detector is sent to it. The ETL<sup>®</sup> can be substituted for ordinary fusible links in existing or new installations of fire dampers where it is desirable to improve life safety by making the fire damper respond to smoke in the early form of invisible products of combustion through ionization smoke detectors for example.

The ETL<sup>®</sup>'s electro-response is the unique feature. It in itself is not smoke responsive, but it's power requirement is so low that it can be released by an electrical impulse from any smoke detector's power source. It is compatible with every smoke detector on the market in the United States today. The operating range is 6 to 30 volts AC or DC, less than 0.2 amperes of trip current required (for 50 millisecond duration). The electrical response is a trigger for the chemical heating of the center element which is a self-contained exo-thermic reactor,



yielding no noise, smoke or gas... just quick heat to open the link in about seven seconds. The ETL<sup>®</sup>'s thermal response is the same as that of ordinary fusible links that have a 165°F (74°C) and 40 lbs. rating.

With it's dual responsiveness the ETL<sup>®</sup> can be substituted for two other devices at a savings in initial cost as well as operating cost and maintenance. It is built to zero defect standards and to last at least fifty years and then still react properly, only on fire or smoke emergency.

It is totally independent of power failures since it draws power from the detector standby source if needed. The ETL<sup>®</sup> is listed by UL as a Fusible Link, however, with the ongoing development of dynamic smoke control systems and building code changes, application and use should be governed by acceptance of the local authority having jurisdiction.

### SUGGESTED SPECIFICATION:

(Add to standard frame fire damper specifications)

Curtain type fire dampers, where indicated on plans and/or schedules, shall each be equipped with factory installed Electro-Thermal Links (ETL<sup>®</sup>), as supplied by Nailor Industries. Operating range shall be 6 to 30 volts AC or DC, less than 0.2 amperes of trip current required (for 50 millisecond duration). Link shall open within seven seconds and shall have a temperature rating of 165°F (74°C) and a 40 lbs. strength rating.

## CLOSURE TEMPERATURES:

OPTION CODES **165 & 212**  
165 or 212°F FUSIBLE LINKS

Fusible links for curtain type fire dampers are available with a choice of several melting temperature ratings. Nailor fire dampers are provided as standard with 165°F (74°C) fusible link. Available 212°F (100°C) link can be installed on damper at time of manufacturing, or can be ordered separately as a replacement part for field installation as part of a regular maintenance program or after a fire emergency (providing damper is still functional).

The National Fire Protection Association Standard 90A states that "fusible links shall have a temperature rating approximately 50°F (28°C) above the maximum temperature that normally is encountered when the system is in operation or shut down, but not less than 160°F (71°C)." Adhering to this guideline helps prevent 'nuisance trips' resulting in unnecessary replacement costs and labor time.

## OPTIONAL PULL-TAB RELEASE

OPTION CODE **PT**  
PULL-TAB RELEASE



**To release locked blades simply tug Pull-Tab downward!**

**Nailor's Pull-Tab release permits easy resetting of horizontal fire dampers from either side of damper.**

Horizontal curtain type fire dampers for use in static systems and all dynamic dampers utilize stainless steel springs and locking ramps to draw the curtain closed in the event of a fire or upon manual release.

Horizontally installed dampers are designed and tested to be mounted with the locking ramps on the top side. When periodic testing (as well as maintenance and inspection) is required, access doors should be located above the damper, so that the damper blade pack can be "pushed down" and released off the locking ramp for reset.

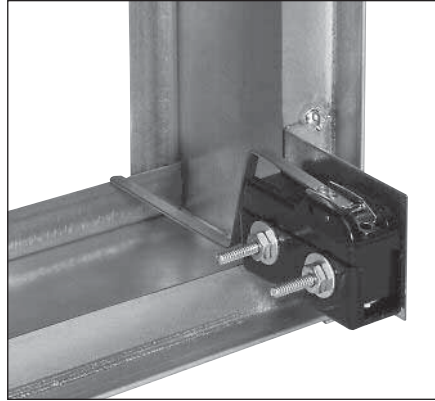
When access from above is not possible or convenient, the Pull-Tab release option permits simple resetting from beneath the damper.

A 1 1/4" (32) dia. nickel plated steel pull ring is fastened to the locking blade on the downward facing side allowing for unlocking and resetting of the blades from below the fire damper, as well as from above. The PT option is available on all Type A and Type B horizontal mount curtain fire dampers.

## OPTIONAL MICROSWITCHES:

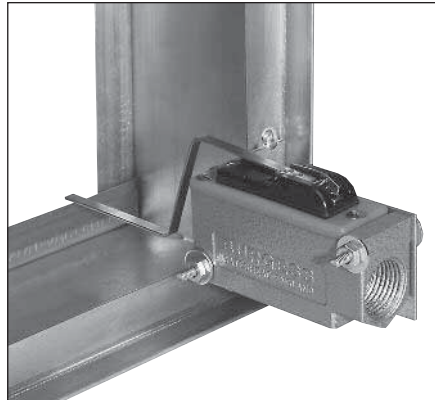
### FOR DAMPER STATUS INDICATION OR HVAC FAN SHUT-DOWN

**OPTION CODE MS**  
24V MICROSWITCH



Option Code MS provides any Nailor fire damper with a factory mounted micro switch suitable for use in low voltage (24V) applications. Activated when the damper blades are closed, the switch can be used for status indication of damper when wired into a control panel or can be utilized to shut a fan off upon closure of damper. UL and CSA approved single pole, double throw switch is rated up to 15 amps. and can be wired up as normally closed or normally open, depending upon application.

**OPTION CODE MSE**  
120/24V MICROSWITCH WITH  
ENCLOSURE



Option Code MSE, microswitch with enclosure, provides a factory mounted micro switch similar to Option MS, except the MSE with its safety enclosure is suitable for use in line voltage (120V) applications. Similarly, the MSE can be used for status indication or fan shut down and also can be wired for normally closed or normally open applications. Enclosure is tapped with 1/2 inch NPS threads for conduit connection and is also provided with an internal earthing (ground) screw.

## FLANGED SLEEVE

OPTION CODES  
 TDF FLANGE  
**TDF2** BOTH ENDS  
**TDF1** ONE END



**TDF** (by Engle) and **TDC** (by Lockformer) proprietary flange systems are approved as breakaway connections for connecting a factory sleeved (22 or 20 gauge) Type A or B curtain type fire damper to ductwork. They may be used in place of the approved slip joints shown in standard installation instructions.

For Option **TDF1** the sleeve is factory flanged on one end only.

For Option **TDF2** the sleeve is factory flanged on both ends.

Note that the maximum wall/floor opening size permitted by UL, relative to the damper size, may not physically allow the flange to fit through the opening. Consultation and co-ordination with the wall/floor contractor is recommended. **TDF1**, flange on one end only, will permit the non-flanged end of the sleeve to fit through the opening.

### Maximum TDF1/TDF2 Sleeve Size Allowed:

For Curtain Type Fire Damper: 60" wide x 60" high (1524 x 1524).

For Multi-Blade Type Fire Damper: 36" wide x 48" high (914 x 1219).