

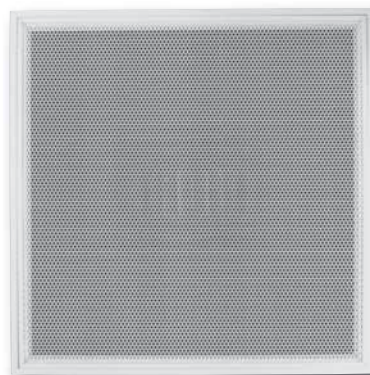
## PREMIUM

This perforated return has an extruded aluminum frame with a narrow border that is visible within the T-Bar module. See Model Series 4330 and 4330CB for the matching supply air diffusers.

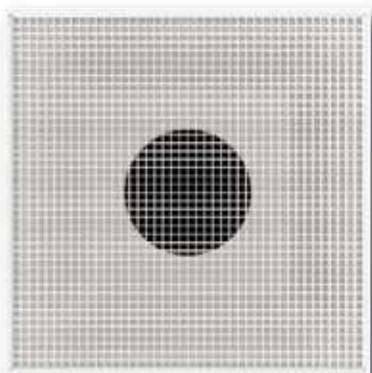
### Flush Face

Steel Face – Model 4330R  
 Aluminum Face – Model 4330RA

Page D217  
 Page D217



Model 4330R



Model 4260

## EGGCRATE RETURN

This aluminum face return diffuser features 1/2" x 1/2" x 1/2" (13 x 13 x 13) eggcrate that provides a high free area. It is offered with either a round or square neck for ducted return applications. The backpan or frame is available in both corrosion-resistant steel and aluminum construction.

### Return

Steel Frame/Backpan – Model 4260  
 Aluminum Face – Model 4260AA

Page D238  
 Page D238

## SQUARE MODULAR CORE

This steel diffuser has four individual, corrosion-resistant steel, spring-loaded modular pattern controllers. The pattern controllers are shipped in a 4-way discharge pattern and can easily be field adjusted to provide a 1, 2, or 3-way discharge pattern. They are available with square necks and optional round transitions.

### Modular Core

Steel – Model 7500  
 Aluminum – Model 7200  
 Suffix '-O' adds a steel OBD

Page D243  
 Page D243



Model 7500



Model 61CC

## CURVED BLADE

The curved blade deflectors for this diffuser are individually adjustable and integrated in a modular sized panel to suit many ceiling systems. If ordered with directional vanes a 1 or 2-way discharge pattern is available. If directional vanes are not required, the curved blade deflectors are offered in a 1, 2, 3, or 4-way discharge pattern.

### Steel Construction

Directional Vanes – Model 61CCD Page D250  
 No Directional Vanes – Model 61CC Page D250

### Aluminum Construction

Directional Vanes – Model 51CCD Page D250  
 No Directional Vanes – Model 51CC Page D250

## OPTIONS & ACCESSORIES

Nailor offers an extensive selection of accessories for ceiling diffusers. Air balancing devices, air extractors and a selection of mounting frames are several of the accessories available. **Pages D255 – D267**

## EGGCRATE CEILING RETURN DIFFUSERS

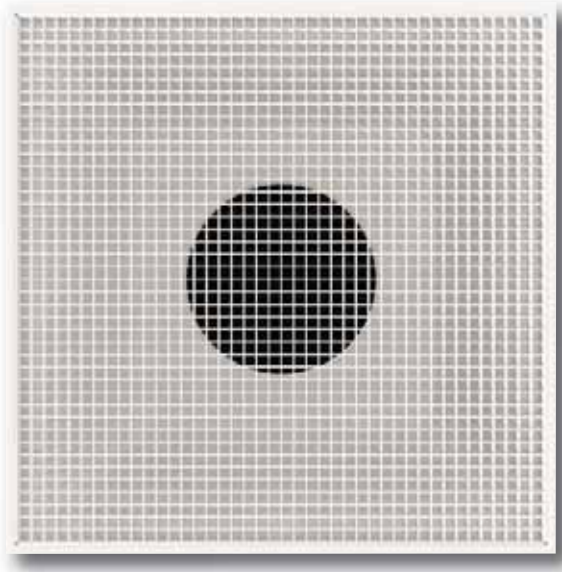
- HIGH CAPACITY
- SUITABLE FOR FLEXIBLE DUCT CONNECTIONS
- 1/2" x 1/2" x 1/2" (13 x 13 x 13) ALUMINUM GRID CORE

### Steel Model:

4260 Steel Frame/Backpan

### Aluminum Model:

4260AA Aluminum Frame



Model 4260

Model Series 4260 Eggcrate Return Ceiling Diffuser has a high free area for high volume capacity with low sound levels and pressure drops. It has an architecturally pleasing design that matches in appearance the grid louvers on parabolic light fixtures.

Model Series 4260 is offered in two versions. One for ducted return applications, for connection to flexible or rigid round duct or square duct. The other version has a dedicated frame assembly which has a neck that is 2" (51) less than the ceiling module size. This unit maximizes free area and may be used for ducted or ductless return air applications.

### STANDARD FEATURES:

- Full face design for ducted return air applications.
- 1/2 x 1/2 x 1/2 (13 x 13 x 13) aluminum eggcrate.
- Removable core.
- Round or square necks available.
- Inlet collar has minimum 1 1/4" (32) depth for easy duct connection.
- Dropping the perforated face gives access to the optional damper.
- Perforated face with 3/16" (5) diameter holes on staggered 1/4" (6) centers, providing 51% free area.

### CONSTRUCTION MATERIAL:

Model 4260 has a corrosion-resistant steel frame and backpan with an aluminum grid core. Model 4260AA has an aluminum frame, backpan and grid core.

### FINISH OPTIONS:

AW Appliance White finish is standard. Other finishes are available.

### OPTIONS & ACCESSORIES:

#### Round Neck:

- 4250 Radial Sliding Blade Damper 6" – 14" (152 – 356).
- 4275 Radial Opposed Blade Damper 5" – 24" (127 – 610).
- 4675 Butterfly Damper 6" – 14" (152 – 356).

MIB Molded Insulation Blanket, R-6.0.

#### Square Neck:

- OBD Opposed Blade Damper (Steel)
- OBDA Opposed Blade Damper (Aluminum) (-AA models only)

### OTHER OPTIONS & ACCESSORIES:

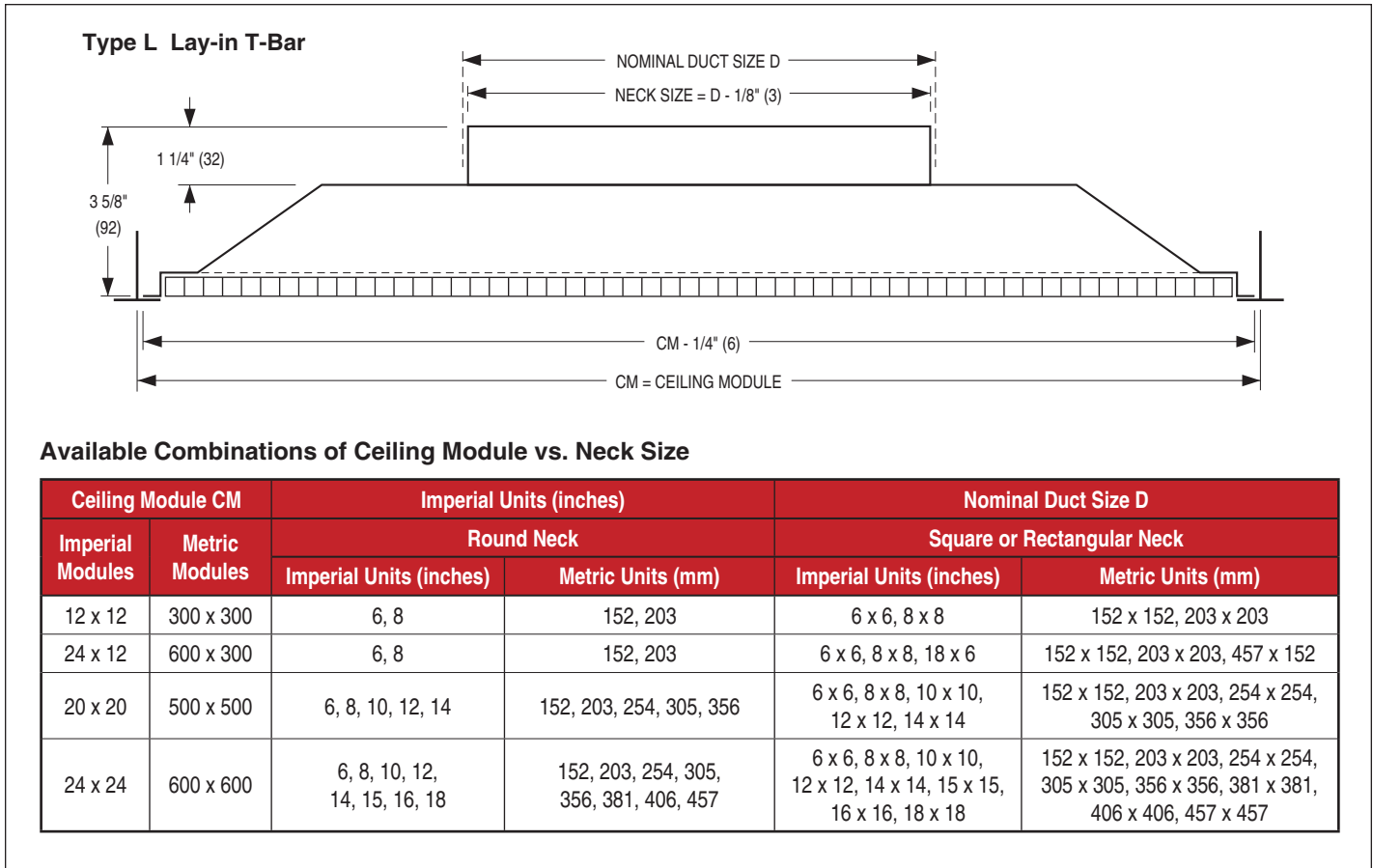
EQT Earthquake Tabs

For additional options and accessories; see page D255.

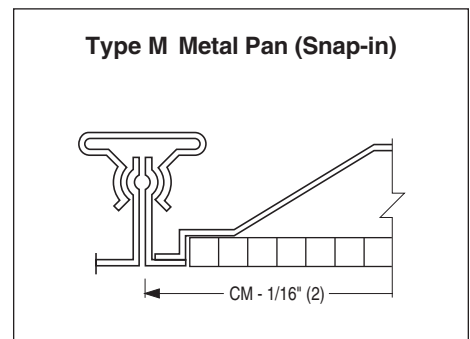
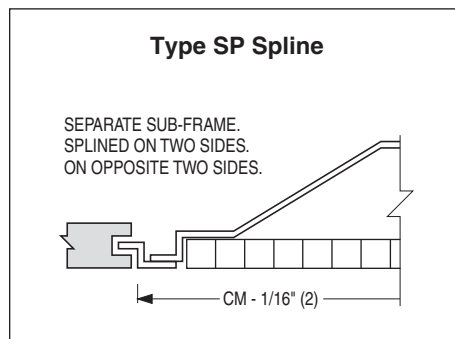
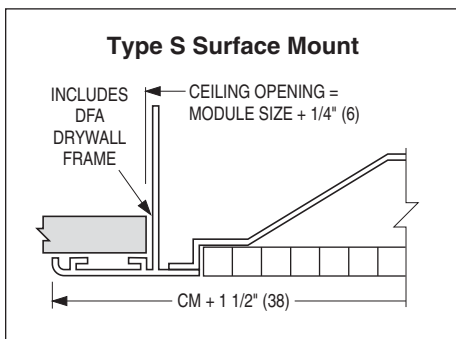
## DIMENSIONAL DATA AND FRAME TYPES:

### Models 4260, 4260AA • Round or Square Neck

All round ducts and square ducts when duct size is less than CM - 2" (51).



D  
CEILING DIFFUSERS

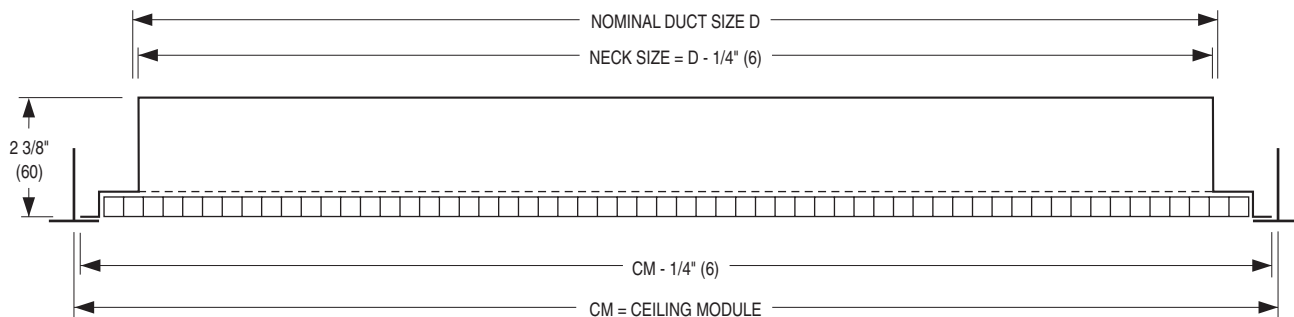


## DIMENSIONAL DATA AND FRAME TYPES:

Models 4260, 4260AA • Full Face

When duct size = CM - 2" (51).

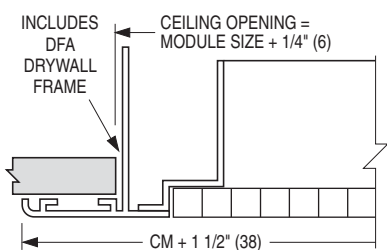
### Type L Lay-in T-Bar or Tegular



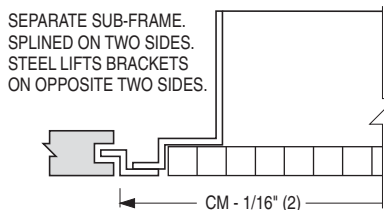
### Imperial & Metric Module Table

Ceiling Module CM		Nominal Duct Size D	
Imperial Modules	Metric Modules	Square Neck	
		Imperial Modules (inches)	Metric Modules (mm)
12 x 12	300 x 300	10 x 10	250 x 250
24 x 12	600 x 300	22 x 10	550 x 250
20 x 20	500 x 500	18 x 18	450 x 450
24 x 24	600 x 600	22 x 22	550 x 550
48 x 24	1200 x 600	46 x 22	1150 x 550

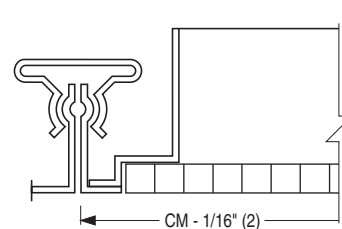
### Type S Surface Mount



### Type SP Spline



### Type M Metal Pan (Snap-in)



## PERFORMANCE DATA:

### Models 4260, 4260AA • Full Face • Round or Square Neck

Nominal Neck Size	Neck Velocity, FPM	300	400	500	600	700	800	900	1000	1200	1400
	Velocity Pressure	.006	.010	.016	.023	.031	.040	.051	.063	.090	.122
6" Dia.	Airflow, CFM	59	78	98	118	137	157	176	196	235	274
	Neg. Static Pressure	.011	.019	.029	.042	.056	.073	.092	.113	.162	.218
	Noise Criteria	—	—	—	—	—	—	—	16	20	29
6 x 6	Airflow, CFM	75	100	125	150	175	200	225	250	300	350
	Neg. Static Pressure	.011	.018	.029	.041	.055	.072	.091	.111	.160	.217
	Noise Criteria	—	—	—	—	—	—	16	19	23	32
8" Dia.	Airflow, CFM	105	140	175	209	244	279	314	349	419	489
	Neg. Static Pressure	.011	.019	.030	.042	.057	.074	.092	.113	.163	.218
	Noise Criteria	—	—	—	—	—	15	18	21	25	34
8 x 8	Airflow, CFM	133	178	222	267	311	356	400	444	533	622
	Neg. Static Pressure	.011	.018	.029	.042	.057	.074	.093	.115	.164	.223
	Noise Criteria	—	—	—	—	—	16	19	22	26	35
10" Dia.	Airflow, CFM	164	218	273	327	382	436	491	545	654	763
	Neg. Static Pressure	.011	.020	.031	.044	.058	.076	.095	.118	.165	.226
	Noise Criteria	—	—	—	—	15	19	22	26	32	38
10 x 10	Airflow, CFM	208	278	347	416	486	555	625	694	833	972
	Neg. Static Pressure	.011	.019	.03	.043	.058	.076	.094	.119	.169	.228
	Noise Criteria	—	—	—	—	16	20	23	27	33	39
12" Dia.	Airflow, CFM	236	314	393	471	550	628	707	785	942	1100
	Neg. Static Pressure	.011	.019	.030	.043	.058	.076	.096	.118	.170	.232
	Noise Criteria	—	—	—	—	18	22	25	28	34	41
12 x 12	Airflow, CFM	300	400	500	600	700	800	900	1000	1200	1400
	Neg. Static Pressure	.011	.020	.031	.045	.062	.08	.100	.124	.174	.239
	Noise Criteria	—	—	—	15	19	23	26	29	35	42
14" Dia.	Airflow, CFM	321	428	535	641	748	855	962	1069	1282	1497
	Neg. Static Pressure	.011	.020	.031	.044	.06	.079	.100	.123	.177	.241
	Noise Criteria	—	—	—	16	20	24	27	30	36	43
14 x 14	Airflow, CFM	408	544	681	817	953	1089	1225	1361	1633	1905
	Neg. Static Pressure	.011	.020	.032	.046	.063	.082	.103	.128	.184	.250
	Noise Criteria	—	—	—	17	21	26	29	32	38	45
16" Dia.	Airflow, CFM	419	558	698	838	977	1117	1256	1396	1675	1954
	Neg. Static Pressure	.012	.021	.032	.046	.063	.082	.104	.129	.185	.252
	Noise Criteria	—	—	—	17	21	25	29	32	38	45
16 x 16	Airflow, CFM	533	711	889	1067	1245	1422	1600	1778	2134	2489
	Neg. Static Pressure	.012	.021	.034	.048	.066	.086	.109	.134	.193	.263
	Noise Criteria	—	—	15	20	24	28	31	34	40	47
18" Dia.	Airflow, CFM	530	707	884	1060	1237	1414	1590	1767	2120	2474
	Neg. Static Pressure	.012	.021	.033	.048	.066	.086	.108	.134	.193	.262
	Noise Criteria	—	—	15	20	24	28	31	34	40	47
18 x 18	Airflow, CFM	675	900	1125	1350	1575	1800	2025	2250	2700	3150
	Neg. Static Pressure	.013	.023	.035	.051	.070	.091	.115	.142	.204	.278
	Noise Criteria	—	—	17	22	27	32	35	38	45	51
22 x 22	Airflow, CFM	1008	1344	1681	2017	2353	2689	3025	3361	4033	4706
	Neg. Static Pressure	.014	.025	.040	.057	.078	.102	.129	.159	.229	.312
	Noise Criteria	—	—	19	24	29	34	37	40	47	53

#### Performance Notes:

- All pressures are in inches w.g..
- Neck Velocity is given in feet per minute (fpm). Airflow is given in cubic feet per minute (cfm).
- Noise Criteria (NC) values are based upon 10 dB room absorption, re 10<sup>-12</sup> watts. Dash (—) in space indicates an Noise Criteria of less than 15.
- Data derived from tests conducted in accordance with ANSI/ASHRAE Standard 70 – 2006.

## HOW TO SPECIFY OR TO ORDER

### EGGCRATE RETURN CEILING DIFFUSERS – MODEL SERIES 4260 AND 4260AA

EXAMPLE: 4260 - RND - 08 - 24 x 24 - L - AW - -

1. **Models**  
4260 Steel Backpan  
4260AA Aluminum Backpan
2. **Neck Type**  
RND Round  
SQR Square/Rectangular
3. **Neck Size (inches)**  
**Round:**  
06, 08, 10, 12, 14, 15, 16, 18  
**Square or Rectangular:**  
6 x 6, 8 x 8, 10 x 10, 12 x 12, 14 x 14,  
15 x 15, 16 x 16, 18 x 6, 18 x 18  
22 x 10, 22 x 22, 46 x 22
4. **Ceiling Module Size**  
**Imperial (inches)**  
12 x 12, 20 x 20, 24 x 12,  
24 x 24 (default), 48 x 24  
**Metric (mm)**  
300 x 300, 500 x 500, 600 x 300,  
600 x 600, 1200 x 600
5. **Frame Type**  
L Lay-in T-Bar (default)  
S Surface Mount  
SP Spline  
M Metal Pan (Snap-in)
6. **Finish**  
AW Appliance White (default)  
AL Aluminum  
BK Black  
BW British White  
MI Mill  
PC Prime Coat Paint  
BA AW Face/Black Backpan  
SP Special Custom Color

#### OPTIONS & ACCESSORIES:

7. **Damper**  
– None (default)  
**Round Neck:**  
4250 Radial Sliding Damper, 6" - 14"  
4275 Radial Opposed Blade Damper,  
5" - 24"  
4675 Butterfly Damper, 6" - 14"  
**Square Neck:**  
OBD Opposed Blade, Steel  
OBDA Opposed Blade, Aluminum  
(AA models only)
8. **Earthquake Tabs**  
– None (default)  
EQT Earthquake Tabs

#### OTHER OPTIONS & ACCESSORIES:

##### Air Balancing Devices

(order separately)

##### Round Neck:

- EGR Equalizing Grid
- DEGR Damper/Equalizing Grid

##### Square/Rectangular Neck:

- EGL Equalizing Grid (long)
- EGS Equalizing Grid (short)
- DEGL Damper/Equalizing Grid (long)
- DEGS Damper/Equalizing Grid (short)

#### Notes:

1. Consult individual models as to limitations of module and neck size combinations.
2. Dampers are shipped loose for field installation.

#### SUGGESTED SPECIFICATION:

Furnish and install **Nailor Model** (select one) **4260** (corrosion-resistant steel frame/backpan) or **4260AA** (aluminum frame/backpan) **Eggcrate Return Ceiling Diffusers** of the sizes and capacities as shown on the plans and air distribution schedules. The diffuser shall have a removable aluminum grid core that is 1/2" x 1/2" x 1/2" (13 x 13 x 13) and extends the full face of the diffuser. The finish shall be AW Appliance White (optional finishes are available).

The manufacturer shall provide published performance data for the diffuser, which shall be tested in accordance with ANSI/ASHRAE Standard 70 – 2006.

## PRODUCT OVERVIEW OPTIONS AND ACCESSORIES FOR CEILING DIFFUSERS

### MOUNTING FRAMES

- Surface mount adapter frames for plaster and sheet rock ceilings are available in steel and aluminum. They simplify installation, save time and allow ceiling plenum access.

### OPTIONS

- A selection of optional items that are available on ceiling diffusers.

### FINISHES

- Selection of standard and non-standard finishes to choose from.
- Baked enamel paint in custom colors to suit architect.

### AIR BALANCING DEVICES

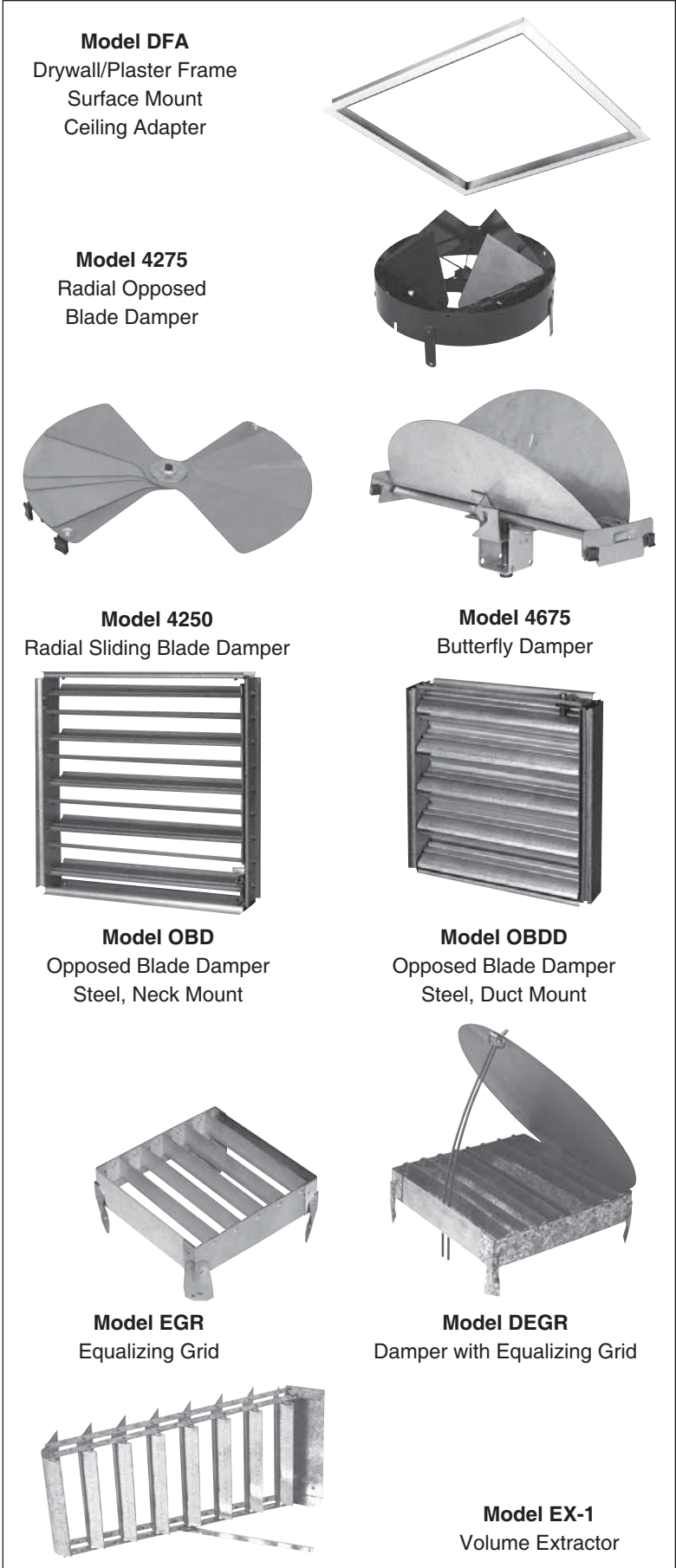
- Dampers for round and square necks.
- Equalizing grids.
- Volume extractors.

Effective air balancing of an HVAC System requires the correct selection, specification and installation of the right product to suit the system design.

Nailor offers a comprehensive range of models and options to cover all applications.

Nailor balancing devices are:

- Easy to select and specify. Many items can be ordered or specified as diffuser accessories.
- Designed to offer a smooth, accurate and predictable response during adjustment for precise air metering.
- Designed to provide quick access and adjustment.
- Engineered with attention to optimizing airflow, in order to minimize noise, turbulence and pressure drop.



## Mounting Frames

### DFS (Steel), DFA (Aluminum) Drywall/Plaster Frame

The DF Series are for mounting in finished drywall or plaster ceilings to accept any standard lay-in type grille, register, diffuser or other ceiling component. Installation of the air outlet is as simple as inserting them in a standard lay-in T-Bar type ceiling system.

The DF Series simplifies and reduces installation time compared with surface mount type diffusers. This is especially true where flexible duct is utilized.

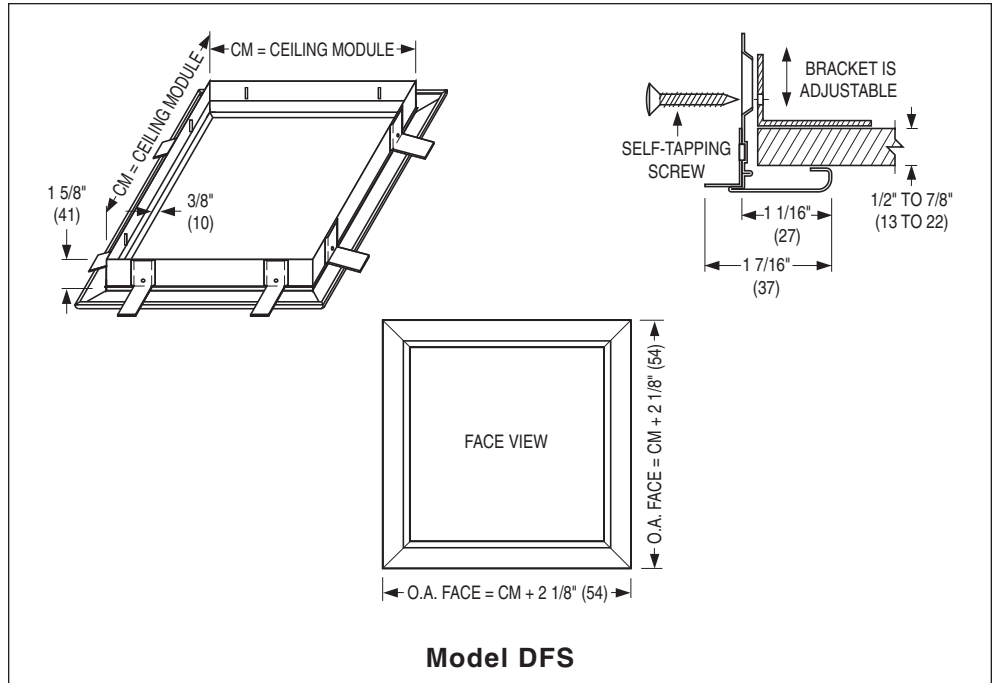
A major benefit is that the DF Series allows access to the ceiling plenum space above for maintenance purposes without the need for separate access doors. The finished appearance is professional and aesthetically pleasing.

**Standard Finish:** AW Appliance White. Other finishes are available.

**Model DFS** is installed quickly and easily using adjustable fastening angle brackets which adapt to various ceiling thicknesses. Frames are roll-formed corrosion-resistant steel with staked and mitered corners.

IMPERIAL MODULES		METRIC MODULES
Imperial Units (inches)	S.I. Units (mm)	S.I. Units (mm)
12 x 12	305 x 305	300 x 300
16 x 16	406 x 406	400 x 400
20 x 20	508 x 508	500 x 500
24 x 12	610 x 305	600 x 300
24 x 24	610 x 610	600 x 600

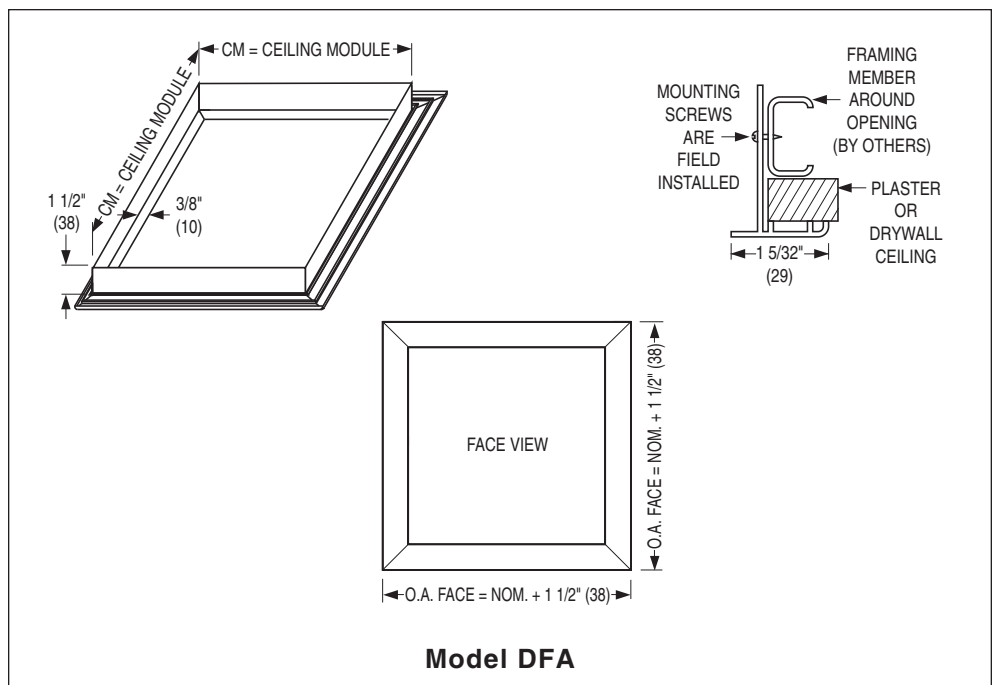
Ceiling opening = CM + 1/4" (6)



**Model DFA** requires framing of the ceiling opening with 'C' channel or wood studs for attachment with mounting screws (by others).

IMPERIAL MODULES		METRIC MODULES
Imperial Units (inches)	S.I. Units (mm)	S.I. Units (mm)
12 x 12	305 x 305	300 x 300
16 x 16	406 x 406	400 x 400
20 x 20	508 x 508	500 x 500
24 x 12	610 x 305	600 x 300
24 x 24	610 x 610	600 x 600
36 x 24	914 x 610	900 x 600
48 x 12	1219 x 305	1200 x 300
48 x 24	1219 x 1219	1200 x 600
60 x 12	1524 x 305	1500 x 300

Ceiling opening = CM + 1/4" (6)





## Options and Finishes

### OPTIONS:

#### EQT Earthquake Tabs

Earthquake (seismic) retaining safety tabs are available; factory installed on diffusers when required by local building code that units be independently restrained and safety wired to supporting structure.

#### SC Safety Chain

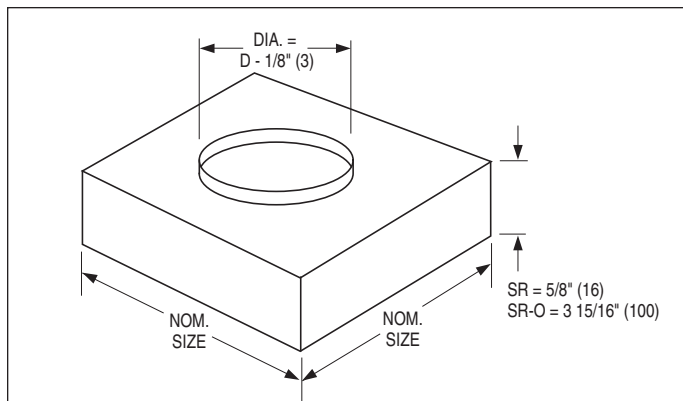
An optional safety chain is available on all of Nailor's round ceiling diffusers.

#### GK Foam Gaskets

Foam gasket is available on a selection of surface mount diffusers.

#### SR Square to Round Transition Collar

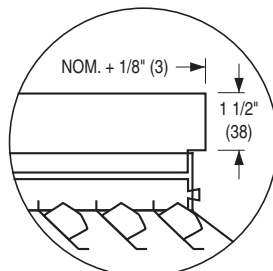
Transition collars are for use on Nailor square neck diffusers where a round duct connection is required. Round necks are sized for flexible or hard duct connection. SR's are shipped loose for field installation and are supplied with barbed S clips.



Square Neck Size (inches)	Round Neck Size D (inches)
6 x 6	4, 5, 6
8 x 8	4, 5, 6, 7, 8
9 x 9	6, 7, 8, 9
10 x 10	6, 7, 8, 9, 10
12 x 12	6, 8, 9, 10, 12
14 x 14	6, 8, 9, 10, 12, 14
15 x 15	6, 8, 10, 12, 14, 15
16 x 16	6, 8, 10, 12, 14, 15, 16
18 x 18	6, 8, 10, 12, 14, 15, 16, 18
20 x 20	6, 8, 10, 12, 14, 15, 16, 18, 20
21 x 21	6, 8, 10, 12, 14, 15, 16, 18, 20
22 x 22	6, 8, 10, 12, 14, 16, 18, 20
24 x 24	6, 8, 10, 12, 14, 15, 16, 18, 20, 24

#### ONA Offset Neck Adaptor

Fits outside duct (if a damper is required; order separately for remote mount. See Model OBDD).



### EXTERNAL FOIL BACK INSULATION

#### EX External Insulation Blanket - Factory Installed

An optional 1 1/2" thick foil back insulation is available installed on a majority of Nailor ceiling diffusers. The insulation has an R value of 4.2.

#### EXB External Insulation Blanket - Ships Loose

This insulation is the same as above but is shipped loose for field installation.

#### MIB Molded Insulation Blanket - Factory Installed

The molded insulation is available as an option on various 24" x 24" square diffusers. The insulation has an R value of 6.0.

### FINISHES:

#### AW Appliance White (standard)

A white finish that is currently the industry standard. Closely matches standard finishes supplied by the majority of T-Bar ceiling system manufacturers. (No additional cost).

#### AL Aluminum

Contains suspended metal particles to give the appearance of a silver grey metallic or anodized finish. (No additional cost).

#### BW British White

Matches most white ceiling tiles. (No additional cost)

#### BK Black

This black has a matte finish. (Additional cost)

#### BA Black Interior/Appliance White Face

Optional on perforated diffusers. AW Appliance White is applied on the perforated face and BK Black is applied on the interior of the backpan for a discreet appearance. (No additional cost)

#### SP Special

The Nailor range of diffusers are available in any color for special architectural consideration. Custom colors are individually mixed to match customer supplied samples. (Additional cost)

### ALSO AVAILABLE:

#### MI Mill Finish

(No additional cost).

#### PPA Paint Prepared Aluminum (Washed only)

Aluminum models only. (No additional cost).

#### PC Prime Coat Paint

(Additional cost).

**Air Balancing Devices**

**Radial Opposed Blade Damper**

A unique method of controlling volume through a diffuser providing premium design quality and performance. The multi-blade perimeter design offers true radial flow at any setting.

A screwdriver slot, accessible through the diffuser, requires only a half turn to adjust from fully closed to fully open. The damper is designed to fit directly on the neck of the diffuser. Simple, convenient and accurate installation and operation.

Available with an optional operator arm. **Model 4275-OA** allows damper adjustment on the **UNI Diffusers** without removing the inner cone assembly.

**Model 4275**

	Nominal size (inches)							Nominal Size (mm)								
	5	6	8	10	12	14	15	16	127	152	203	254	305	356	381	406
<b>A</b>	4 7/8	5 7/8	7 7/8	9 7/8	11 7/8	13 7/8	14 7/8	15 7/8	124	149	200	251	302	352	378	403
<b>B</b>	1 1/8	1 5/8	2 1/2	2 1/4	2 7/8	3 3/8	3 3/4	4 3/8	29	41	64	57	73	86	95	111
<b>C</b>	1 5/8			2 1/2				41				64				

**D**

**CEILING DIFFUSERS**

**Radial Sliding Blade Damper**

The **Model 4250** is a neck mounted radial sliding blade damper used in round neck diffuser applications to provide fine volume control. Gang operated radial blades slide at right angles to the duct with minimal protrusion above the diffuser neck; allowing the damper to work effectively in flexible duct applications.

Available in sizes 6", 8", 10", 12" and 14" (152, 203, 254, 305 and 356).

**Model 4250**

**Butterfly Damper**

The **Model 4675 Butterfly Damper** is an economical damper for volume balancing in round neck diffusers. Adjustable friction pivots hold the blades at the required setting. Adjusted from the face of the diffuser.

Not recommended for use with flexible duct.

**Model 4675**

	Nominal Size (inches)					Nominal size (mm)				
	6	8	10	12	14	152	203	254	305	356
<b>A</b>	5 7/8	7 7/8	9 7/8	11 7/8	13 7/8	149	200	251	302	352
<b>B</b>	2 1/2	3 1/2	4 1/2	5 1/2	6 1/2	64	89	114	140	165

**Air Balancing Devices**

**OPPOSED BLADE DAMPERS**

**Nailor** Opposed Blade Dampers feature heavy gauge, roll-formed, corrosion-resistant steel or extruded aluminum blades and frame with miscellaneous steel components. Mill finish.

The gang operated multi-blade design with blades closing at 45 degrees permits fine volume control for accurate balancing with minimum disturbance to the airflow pattern. Blades are individually pivoted on 1" (25) centers.

**DIFFUSER MOUNT MODELS:**

**OBD Steel**

**OBD-A Aluminum**

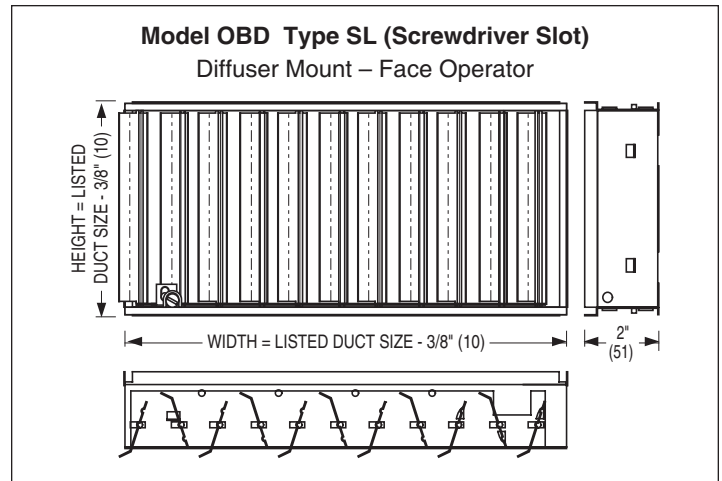
This style of damper mounts directly on the neck and are sized to suit most **Nailor** diffusers. Uses steel barbed S-clips for easy field mounting or removal when ordered separately. Supplied as standard with a screwdriver slot operator (Type SL).

Can be specified as an integral part of the diffuser model by adding a - O (steel) or - OA (aluminum) suffix to the diffuser model.

Available with Type DL Lever Operator for use with 6200, 6400 and 6500 Series Pattern Diffusers and 6600 Series Plaque Diffusers. Permits balancing without removing the diffuser inner core assembly.

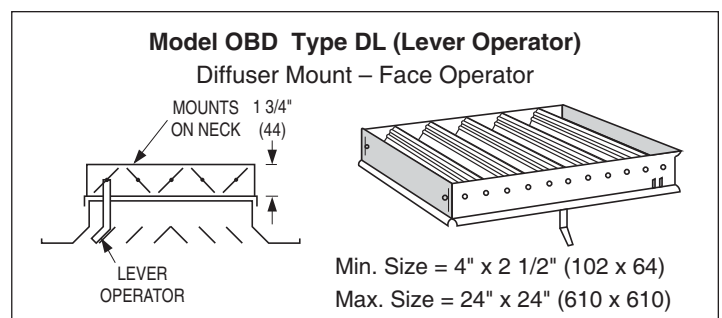
**Type SL Operator**

The SL Operator incorporates a screwdriver slot, which adjusts from the face of the diffuser. This operator is the standard supplied when ordered separately.



**Type DL Operator**

The DL Operator incorporates a lever that adjusts without the use of tools. The lever operator extends through the diffuser face.



## Air Balancing Devices

### DUCT MOUNT MODELS:

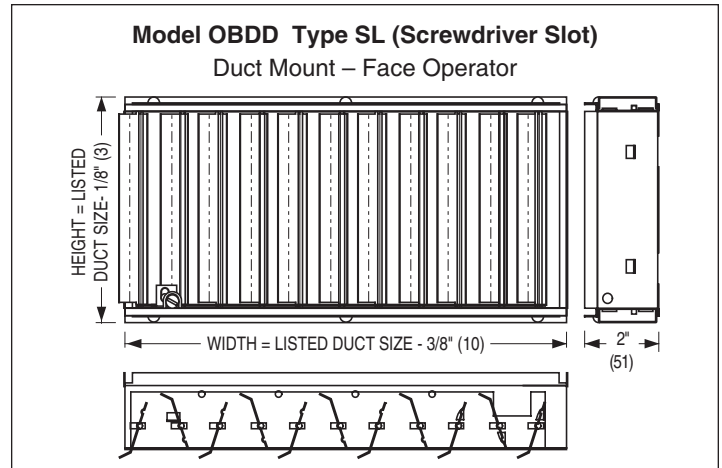
**OBDD Steel**

**OBDD-A Aluminum**

Designed to be field mounted independently in the duct, separate from and behind the diffuser. They are sized to suit and offer a friction fit in nominally sized ducts. They are secured with 1/2" (13) long sheet metal screws (by others) through the double walled sub-frame. Min. Size = 4" x 2 1/2" (102 x 64). Max. Size = 24" x 24" (610 x 610).

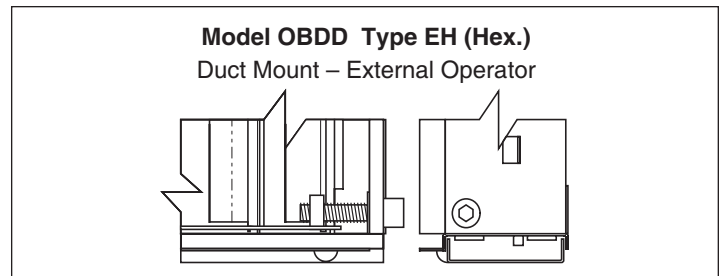
### Type SL Operator

These models are supplied with a screwdriver slot face operator that is accessed from inside the duct by removing the diffuser.



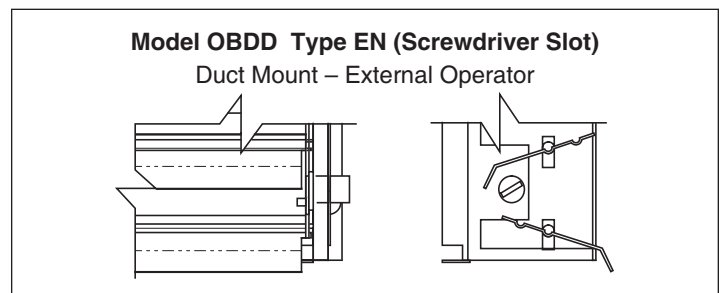
### Type EH Operator

These duct mount models feature an external 3/16" (5) hex operator accessible from outside the duct; from the side of the duct when blades run vertically and from underneath the duct when blades run horizontally.



### Type EN Operator

These duct mount models feature an external glass-filled nylon screwdriver slot operator accessible from outside the duct; from underneath the duct when blades run vertically, and from the side of the duct when blades run horizontally.



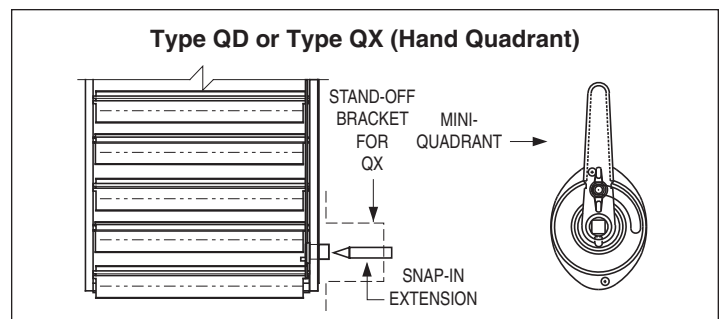
### Type QD Operator \*

A snap-in shaft extension with 'mini' hand locking quadrant is available as an optional accessory.

### Type QX Operator \*

A snap-in shaft extension with 'mini' hand locking quadrant and 2" (51) stand-off bracket for externally insulated ducts. Order damper with blades parallel to horizontal duct dimension to ensure quadrant is located on vertical side of the duct.

\*Not available on Model OBDD-A

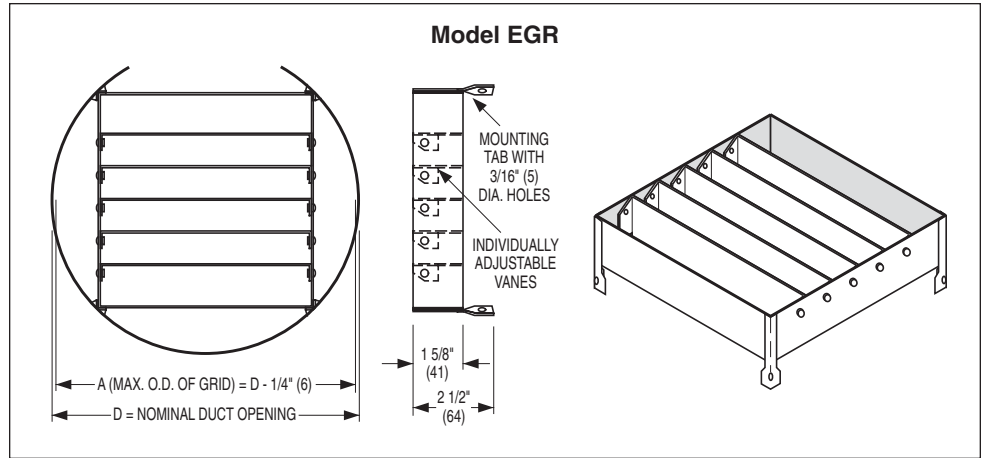


**Air Balancing and Directional Control Devices**

**Equalizing Grid for Round Necks**

The **Model EGR** is a duct mounted grid that equalizes the airflow into the branch duct or diffuser neck and provides directional control. They are shipped loose for field installation. The individually adjusted vanes are friction pivoted to hold the desired setting.

Recommended method of installation is flush with the take-off collar and with the vanes perpendicular to the direction of the approaching airflow.

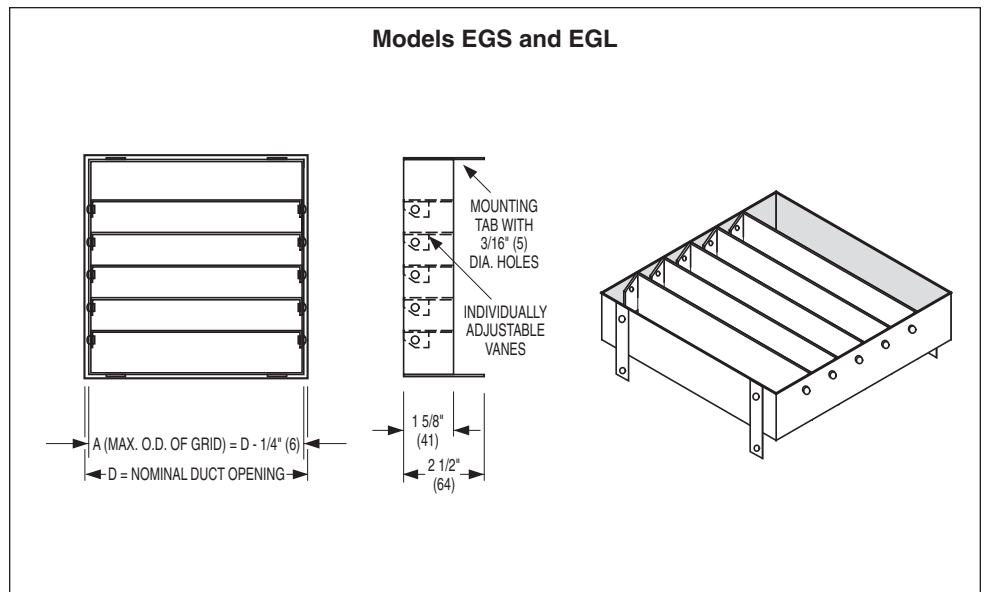


**Equalizing Grid for Square and Rectangular Necks**

The **Models EGS and EGL** are duct mounted grids that equalize the airflow into the branch duct or diffuser neck and provide directional control. They are shipped loose for field installation. The individually adjusted vanes are friction pivoted to hold the desired setting.

Recommended method of installation is flush with the take-off collar and with the vanes perpendicular to the direction of the approaching airflow.

The suffix 'S' or 'L' indicates blades are parallel to the short or long dimension.



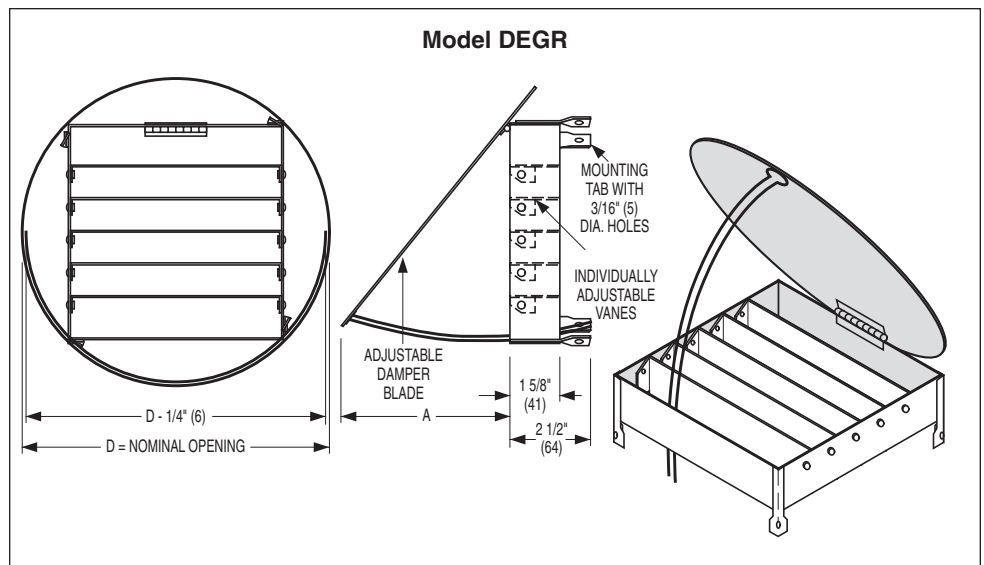
**Damper with Equalizing Grid for Round Necks**

The **Model DEGR** is a duct mounted combination damper with equalizing grid.

It performs as a volume extractor with dampering to near shut-off as well as equalizing the airflow into the branch duct or diffuser neck and providing directional control.

The individual adjustable vanes are friction pivoted to hold the desired setting.

Damper blade may be adjusted to any angle and locked in position with adjusting wires under screw heads.



**Air Balancing and Directional Control Devices**

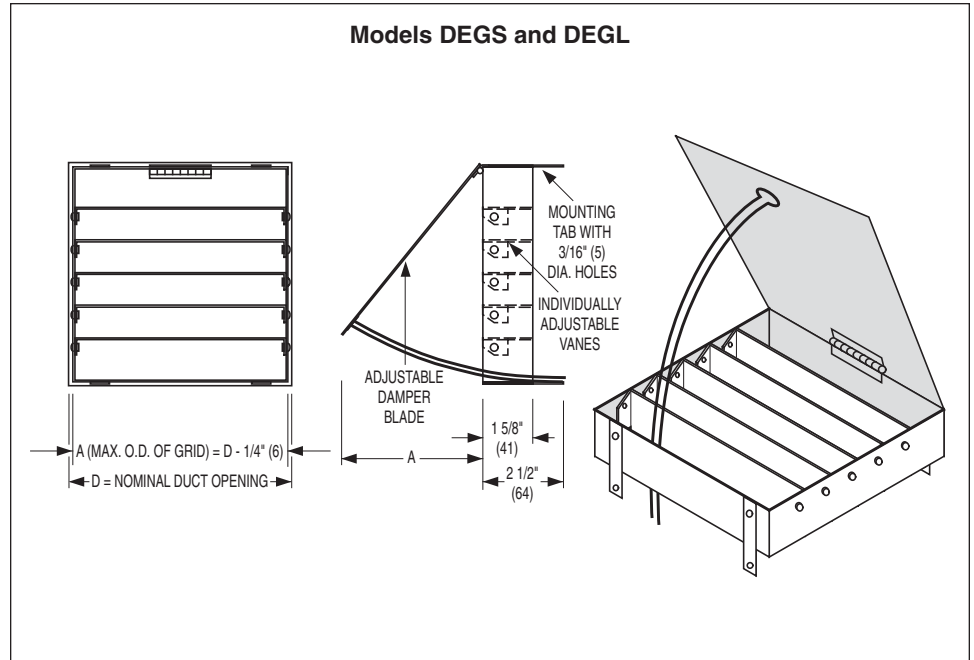
**Damper with Equalizing Grid for Square and Rectangular Necks**

The **Models DEGS** and **DEGL** are duct mounted combination dampers with equalizing grids. They perform as a volume extractor with dampering to near shut-off as well as equalizing the airflow into the branch duct or diffuser neck and providing directional control.

The individual adjustable vanes are friction pivoted to hold the desired setting.

Damper blade may be adjusted to any angle and locked in position with adjusting wires under screw heads.

The suffix 'S' or 'L' indicates blades are parallel to the short or long dimension.



**D**  
**CEILING DIFFUSERS**

## Volume Extractors

### MODEL SERIES

**EX** Blades on 2" centers

**EXD** Blades on 1" centers

The **Model Series EX Volume Extractors** uniformly divert air from the main duct into the branch take-off and across the face of a grille or diffuser. Gang-operated parallel blades available on 2" (51) or 1" (25) centers pivot from full open to full closed with blades overlapping for shut-off. The curved blade design improves airflow by reducing turbulence, thereby reducing noise and pressure drop.

Specify or order: Length x Width. (Length is first dimension. Blades are parallel to width, second dimension).

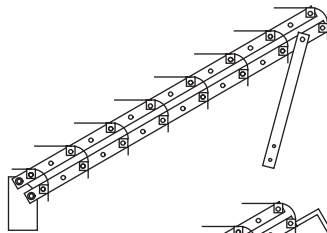
### FEATURES:

- Material: Galvanized steel.
- Minimum size: 6" x 4" (152 x 102).
- Maximum size: 36" x 36" (914 x 914).

### Operator Types

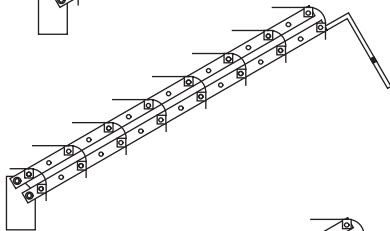
#### EX/EXD-1

Standard unit with adjusting strap.



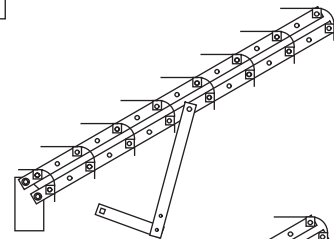
#### EX/EXD-1-R

Rod operator for external operation.



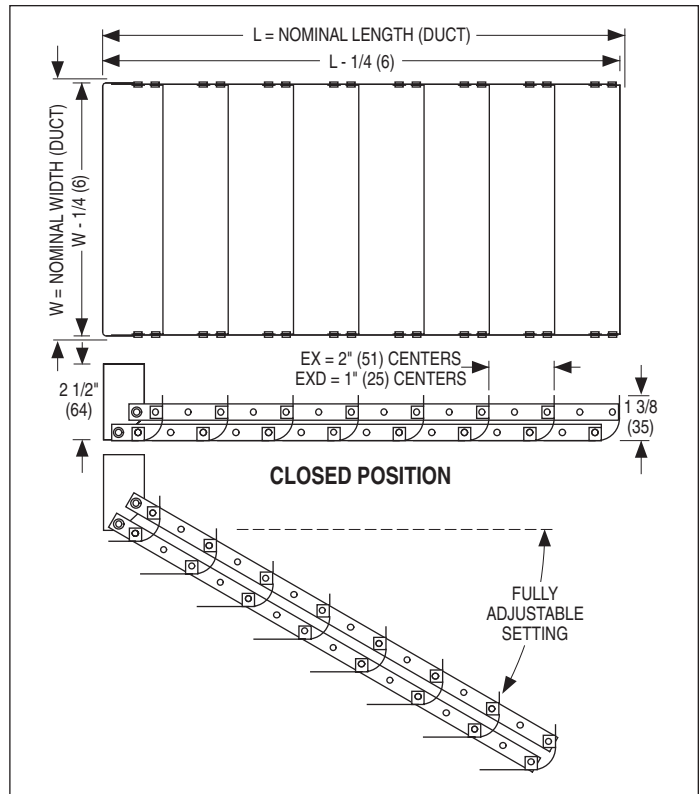
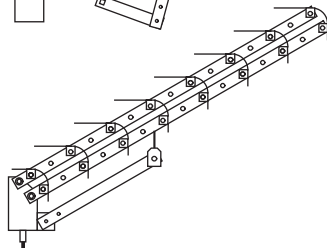
#### EX/EXD-2

Linkage with 7/16" (11) square hole (2 per unit). Remote operator (eg. Young Regulator #1) by others.



#### EX/EXD-3

Screw gear operator. Adjusts with 3/16" (5) wrench (by others).



### Optional Accessories

#### RLD

Locking device for Models **EX/EXD-1-R**.

