

- TOGGLE SWITCH WITH LIGHTS (3 POSITION)
- FOR USE WITH COMBINATION FIRE/SMOKE DAMPERS WITH DTO (MLS-400)

Model:

DCP1 Damper Control Panel



The DCP1 is a toggle switch operated control panel with position indicator lights for use with Nailor Combination Fire/Smoke Dampers equipped with the DTO Dual Temperature Override Sensor (MLS-400) Reopenable Control Option. The DCP1 provides the ability to open or close the damper in a dynamic smoke management system or to test the damper. Indicator lights on the DCP1 panel provide visual confirmation of the damper position.

The toggle switch is a 3 position control switch with the following options:

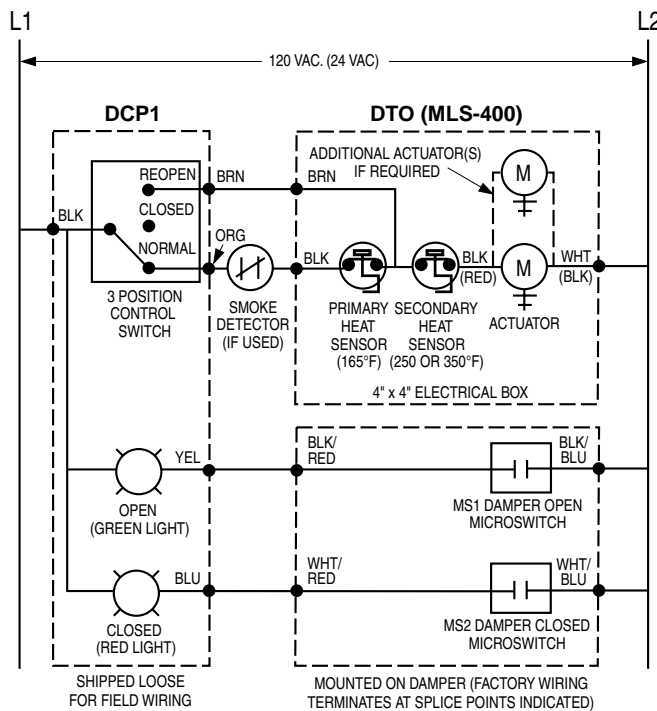
NORMAL: Damper remains open until closed by the primary heat sensor or smoke detector signal.

CLOSED: Damper closes and remains closed regardless of any sensor signal.

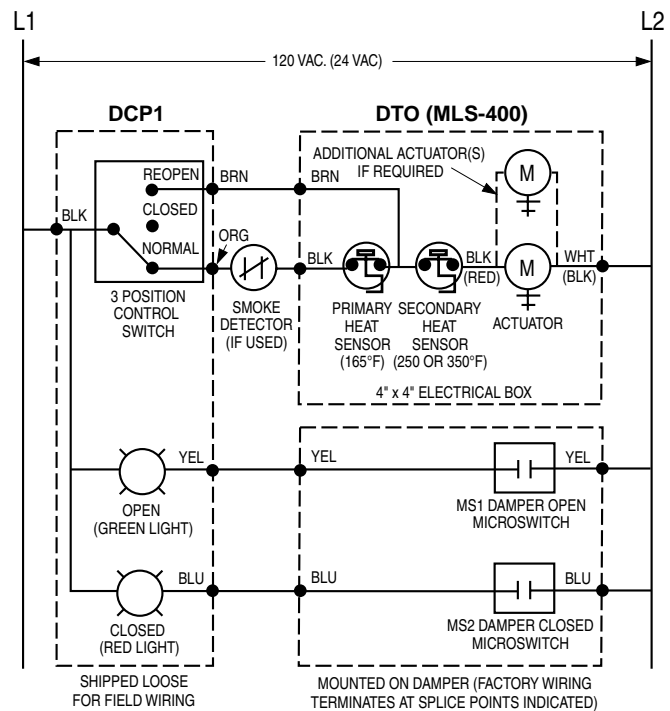
REOPEN: The damper opens and remains open (override position) until the secondary hi-limit sensor signals the damper to close and lock.

The DCP1 is shipped loose for field mounting and wiring either near the damper or in a remote location.

WIRING DIAGRAMS:



DCP1/DTO (MLS-400) with Honeywell rotary cam type position indicator package



DCP1/DTO (MLS-400) with Nailor or Honeywell built-in (actuator auxiliary switches) position indicator package

- KEY SWITCH WITH LIGHTS (3 POSITION)
- FOR USE WITH COMBINATION FIRE/SMOKE DAMPERS WITH DTO (MLS-400)

Model:

DCP2 Damper Control Panel



The DCP2 is a key switch operated control panel with position indicator lights for use with Nailor Combination Fire/Smoke Dampers equipped with the DTO Dual Temperature Override Sensor (MLS-400) Reopenable Controls Option. The DCP2 provides the ability to open or close the damper in a dynamic smoke management system or to test the damper. Indicator lights on the DCP2 panel provide visual confirmation of the damper position.

The key switch is a 3 position control switch with the following options:

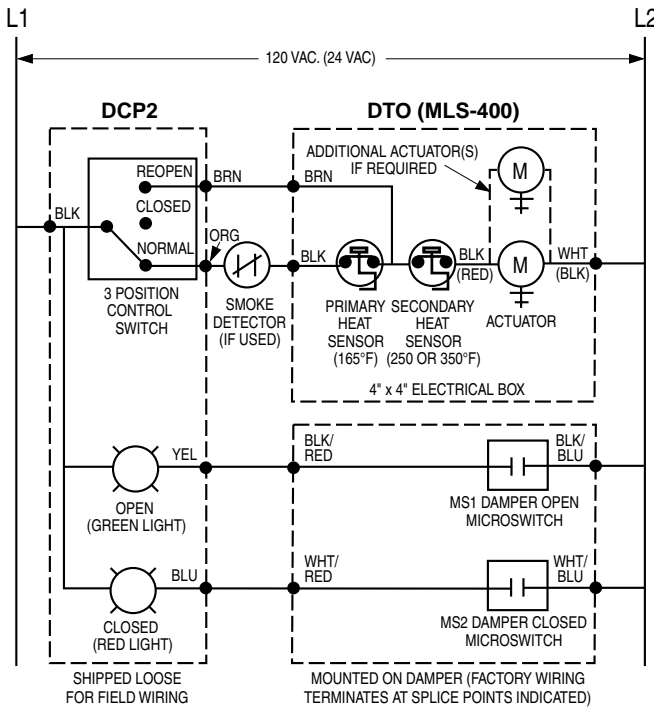
NORMAL: Damper remains open until closed by the primary heat sensor or smoke detector signal.

CLOSED: Damper closes and remains closed regardless of any sensor signal.

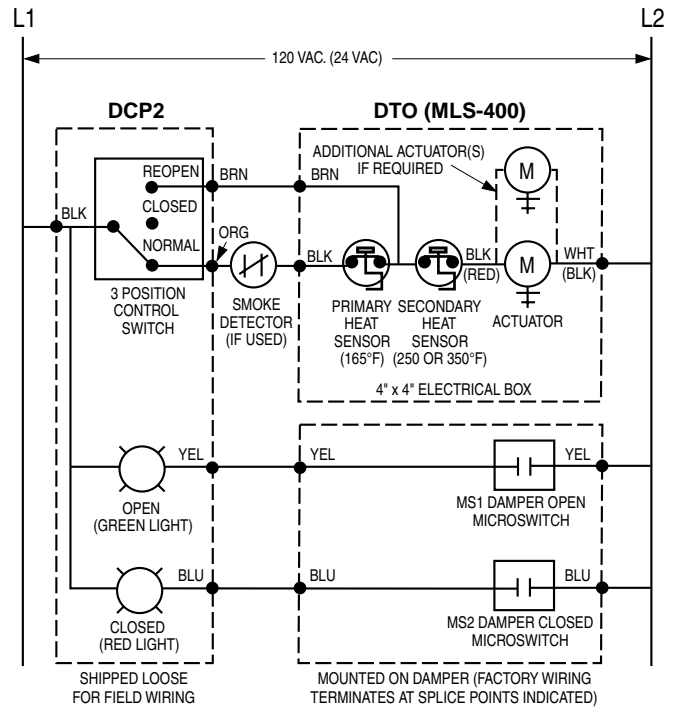
REOPEN: The damper opens and remains open (override position) until the secondary hi-limit sensor signals the damper to close and lock.

The DCP2 is shipped loose for field mounting and wiring either near the damper or in a remote location.

WIRING DIAGRAMS:



DCP2/DTO (MLS-400) with Honeywell rotary cam type position indicator package



DCP2/DTO (MLS-400) with Nailor or Honeywell built-in (actuator auxiliary switches) position indicator package

COMBINATION FIRE/SMOKE DAMPERS



- LIGHTS ONLY
- FOR USE WITH ALL SMOKE AND COMBINATION FIRE/SMOKE DAMPERS

Model:

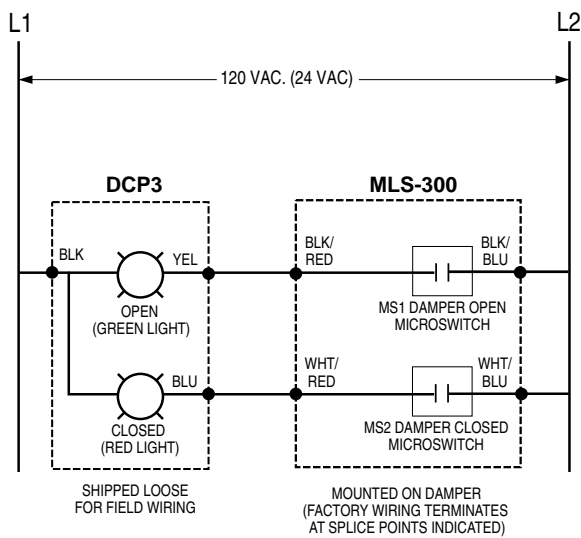
DCP3 Damper Control Panel



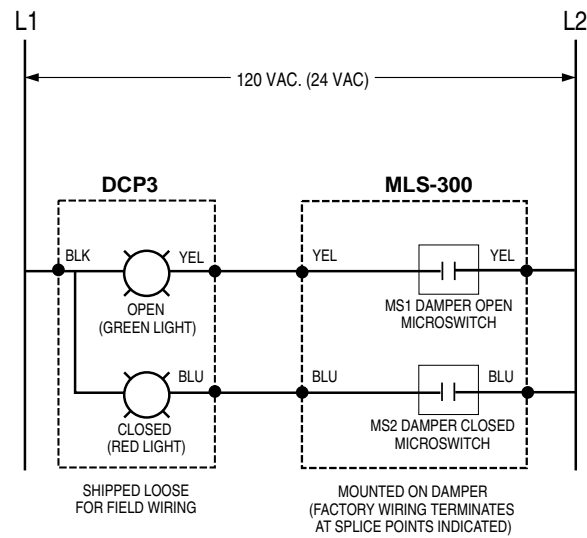
The DCP3 is a single control panel containing indicator lights only and is for use with Nailor Smoke and Combination Fire/Smoke Dampers equipped with the MLS-300 Position Indicator Package. The green light indicates damper is open and the red light indicates damper is closed.

The DCP3 is shipped loose for field mounting and wiring either near the damper or in a remote location.

WIRING DIAGRAMS:



DCP3 with MLS-300 (Honeywell rotary cam type) position indicator package



DCP3 with MLS-300 (Nailor or Honeywell built-in aux. switches) position indicator package

- TEST SWITCH WITH LIGHTS (MOMENTARY)
- FOR USE WITH ALL SMOKE AND COMBINATION FIRE/SMOKE DAMPERS

Model:

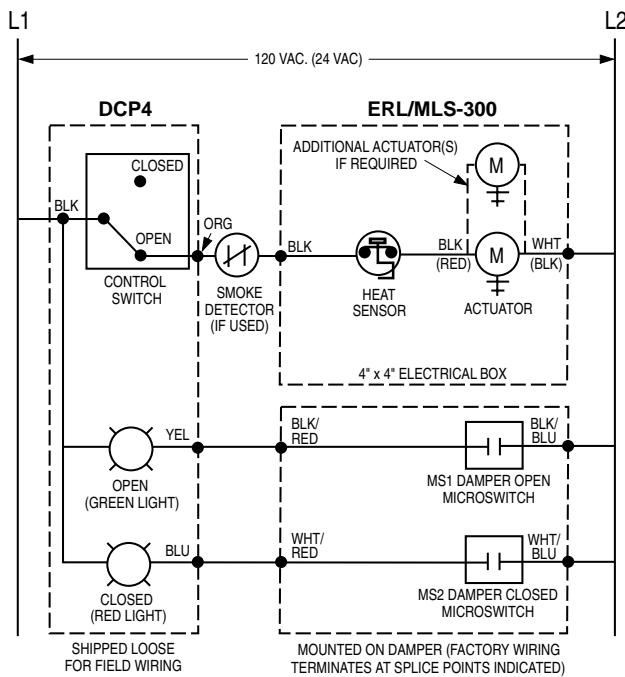
DCP4 Damper Control Panel



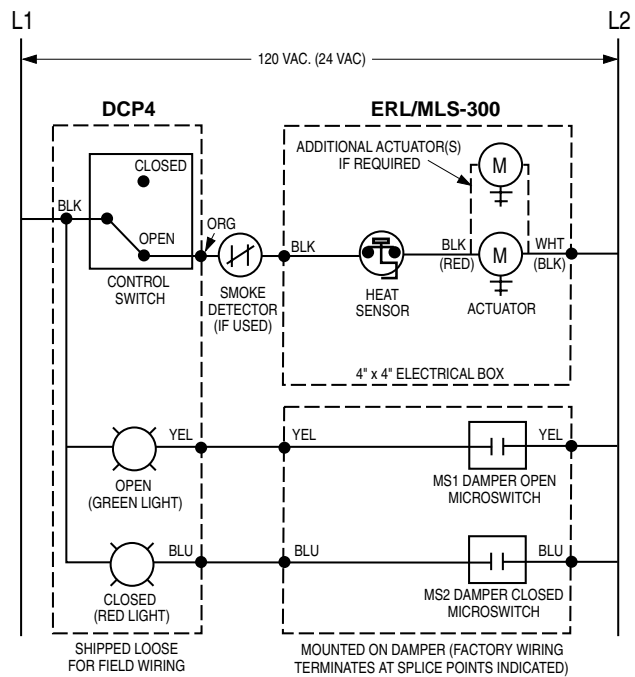
The DCP4 is a “momentary” push button operated control panel with indicator lights for use with all Nailor Smoke and Combination Fire/Smoke Dampers. The push button switch provides the ability to “cycle test” the damper by pushing and holding down the button until the damper has cycled closed. The indicator lights on the DCP4 panel provide a visual confirmation of the damper position when connected to the MLS-300 Position Indicator Package.

The DCP4 is shipped loose for field mounting and wiring either near the damper or in a remote location.

WIRING DIAGRAMS:



DCP4 for combination fire/smoke dampers with MLS-300 (Honeywell rotary cam type) position indicator package



DCP4 for combination fire/smoke dampers with MLS-300 (Nailor or Honeywell built-in aux. switches) position indicator package

COMBINATION FIRE/SMOKE DAMPERS



- KEY TEST SWITCH WITH LIGHTS (MOMENTARY)
- FOR USE WITH COMBINATION FIRE/SMOKE DAMPERS

Model:

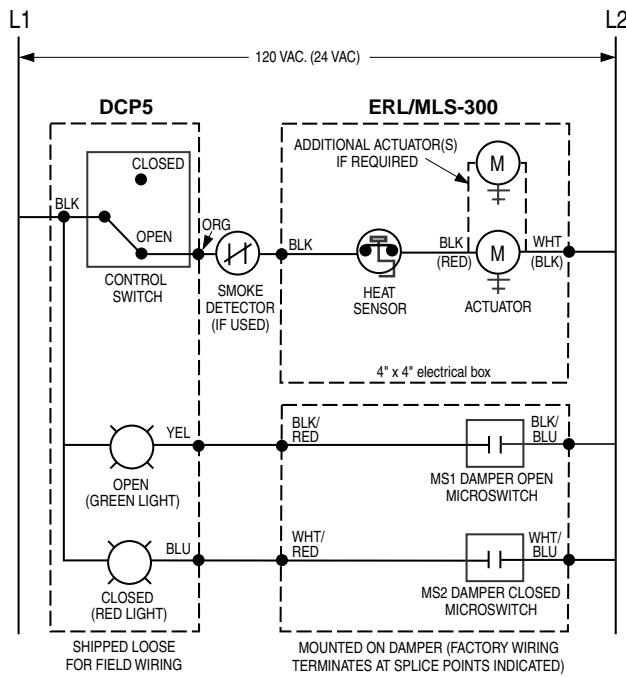
DCP5 Damper Control Panel



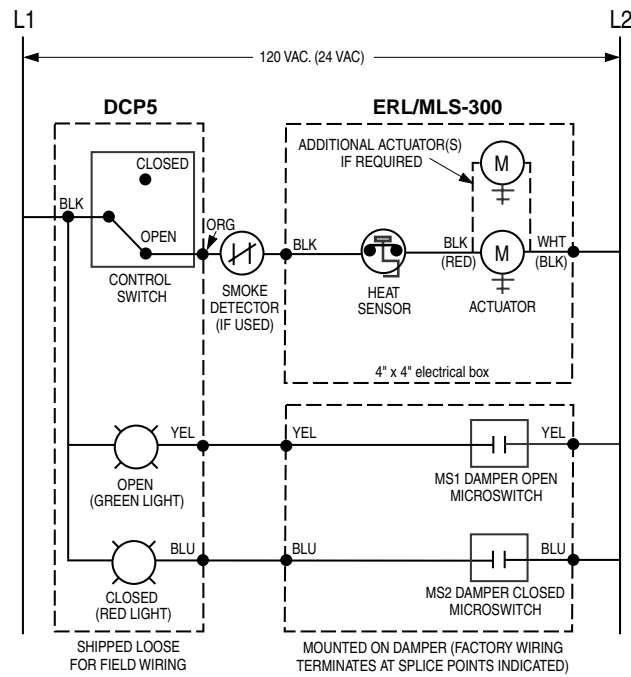
The DCP5 is a “momentary” key switch operated control panel with indicator lights for use with all Nailor Combination Fire/Smoke Dampers. The two position spring loaded key switch provides the ability to “cycle test” the damper by turning and holding the key until the damper has cycled closed. Releasing the key re-energizes the control circuit/actuator and returns the damper to its “normal” open position. The indicator lights on the DCP5 panel provide a visual confirmation of the damper position when connected to the MLS-300 Position Indicator Package.

The DCP5 is shipped loose for field mounting and wiring either near the damper or in a remote location.

WIRING DIAGRAMS:



DCP5 for combination fire/smoke dampers with MLS-300 (Honeywell rotary cam type) position indicator package



DCP5 for combination fire/smoke dampers with MLS-300 (Nailor or Honeywell built-in aux. switches) position indicator package