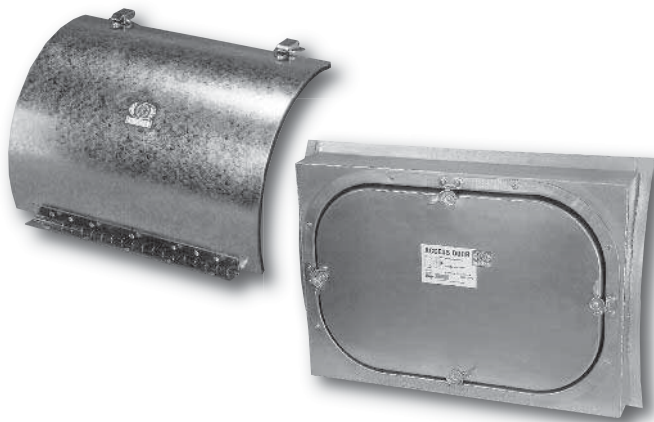


MODEL 0840-6 PLENUM ACCESS DOOR

Nailor Model 0840-6 ultra-low leakage plenum access door provides easy access to larger plenums and equipment housings and is suitable for use in high, medium or low pressure applications. The design features include positive seal gasketing and insulation which provide assured low-leakage performance. The die-formed frame, hinged door and die-cast closure handles provide extra strength and maximum operational convenience.



Model 0840-6



Model 0890

Model 0895

MODELS 0890 & 0895 FOR ROUND DUCT

Nailor Model 0890 is an economical round duct access door suitable for use in low pressure applications. A durable hinge permits the heavy duty 16 ga. (1.6) door to swing open fully, allowing unobstructed access to the duct, while the zinc plated strikes and catches and polyurethane foam gasketing provide a tight, positive seal when closed.

Model 0895 turret style access doors provide heavy duty construction with easy opening, suitable for use in medium and high pressure round duct systems. Features include an all-welded turret box and saddle formed to duct radius, and a high-pressure 0800 Series access door that is caulked and fastened to turret. Zinc plated progressive camlocks and bulb type door gasket provide a secure, tight seal.

MODEL 0900-1 & 0900-2 UTILITY ACCESS DOORS FIRE RATED & GENERAL USE

Nailor Model 0900-1 fire-rated access door is for use whenever it is necessary to provide service access to utilities located within fire separations such as corridor walls, stairwells and ceilings. The 2" (51) thick insulation, which acts as a heat barrier, is also ideal for reducing sound transmission through access opening. The flush key operated latch provides convenient and secure opening and closing. Model 0900-2 is a multi-purpose access door designed to provide convenient access to utilities contained within walls or ceilings. This versatile access door installs flush in drywall, masonry block or tile, and plaster walls and ceilings with a clean unobtrusive finish. Both models are offered in an array of standard sizes, with special sizes available upon request.



Model 0900-1

Model 0900-2

- UL RATED FOR 1 1/2 HR. 'B' LABEL
- WARNOCH HERSEY RATED
- INSULATED
- CORROSION RESISTANT

Model: 0900-1



1 1/2 HR. 'B' LABEL IN WALLS



2 HR. LABEL IN CEILINGS
3 HR. LABEL IN WALLS

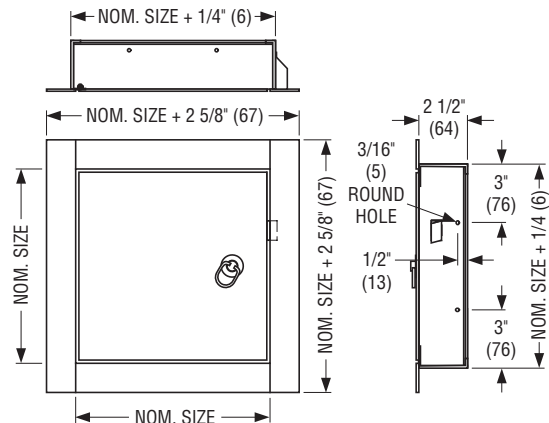


Model 0900-1

Nailor Model 0900-1 is a Fire-Rated Access Door ideal for use whenever it is necessary to provide service access to utilities located within fire separations such as corridor walls, stairwells and ceilings. The 0900-1 meets ANSI-UL 10B standards and is approved by Underwriters Laboratories for 1 1/2 hours, 250°F (121°C) max. temperature rise ('B' label) in walls, and by Warnock Hersey for 2 hours in ceilings and 3 hours in walls, allowing the same door to be used in walls or ceilings. Frame is equipped with pre-punched bolt holes and masonry anchors to facilitate installation in a variety of wall constructions. Door closes flush to frame and is furnished with a self-closing spring mechanism for fail-safe use. The 2" (51) thick insulation, which acts as a heat barrier, is also ideal for reducing sound transmission through access opening. The flush key operated latch provides convenient and secure opening and closing.

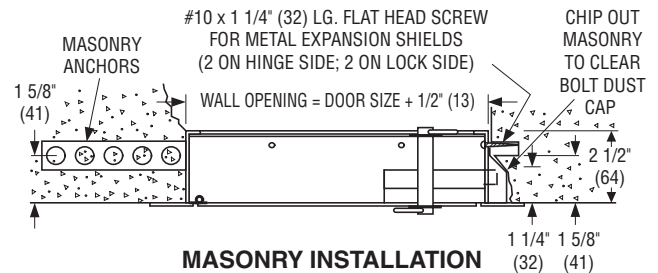
STANDARD CONSTRUCTION:

- Material:** Corrosion-resistant coated steel. 20 ga. (1.0) door and 16 ga. (1.6) frame.
- Finish:** Primed white finish standard.
- Door:** Flush to frame. Self-closing.
- Frame:** 4 piece welded frame with masonry mounting straps.
- Hinge:** Concealed pivot pins.
- Closure Spring:** Heavy duty. An extra spring for ceiling installations is provided with every door. Both springs must be attached to the door to ensure it will close when installed in the ceiling.
- Latch:** Flush mounted, interchangeable turn ring operator and key operator latch.
- Insulation:** Roxul 1280. 2" (51) thick.
- Packaging:** One door per carton.

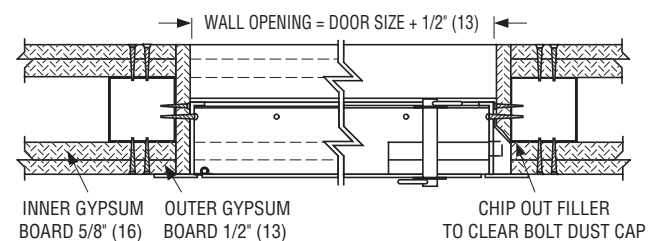


Standard Sizes (W x H):

Nominal Size		Shipping Weight lbs.
inches	mm	
8 x 8	203 x 203	10.0
12 x 12	305 x 305	14.0
16 x 16	406 x 406	16.5
18 x 18	457 x 457	19.0
24 x 24	610 x 610	30.0



MASONRY INSTALLATION



DRYWALL INSTALLATION

- UNIVERSAL ACCESS
- FOR DRYWALL, MASONRY OR PLASTER WALLS & CEILINGS



Model 0900-2

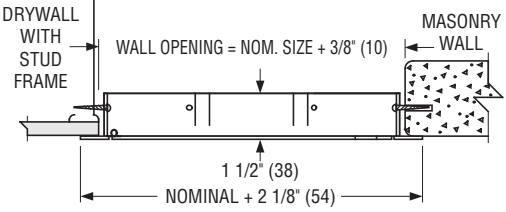
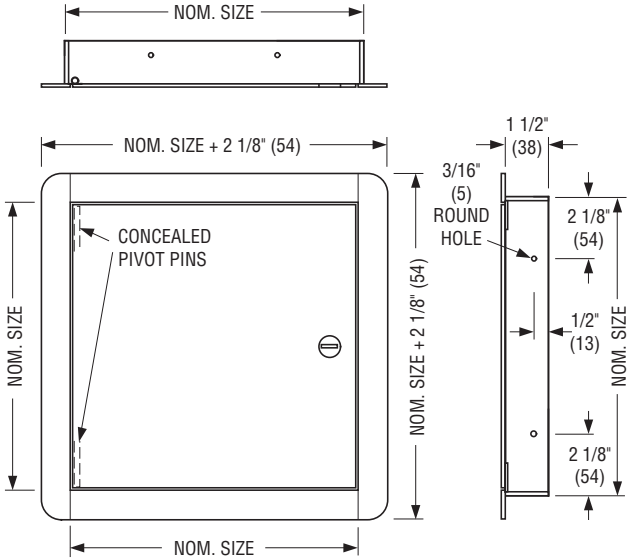
The Nailor 0900-2 Series is a multi-purpose access door designed to provide convenient access to utilities contained within walls or ceilings. This versatile access door installs flush in drywall, masonry block or tile, and plaster walls and ceilings with a clean unobtrusive finish. The frame features rounded safety corners, a concealed hinge that allows the rigid formed door to close flush, and pre-punched mounting holes for easy installation. A slotted screwdriver type catch is standard, with an optional keyed cylinder lock available. White prime coat provides a smooth finish suitable for painting to match building interior. The 0900-2 Series is offered in an array of standard sizes, with special sizes available upon request.

STANDARD CONSTRUCTION:

- Material:** Corrosion-resistant coated steel. 14 ga. (2.0) door and 16 ga. (1.6) frame.
- Door:** Flush to frame. Turned back around edges for extra rigidity.
- Frame:** The frame has pre-punched holes for simple installation.
- Finish:** Primed white finish standard.
- Hinge:** Concealed pivot pins.
- Latch:** Flush mounted screwdriver operated cam is standard.

Standard Sizes (W x H):

Nominal Size		Shipping Weight lbs.
inches	mm	
8 x 8	203 x 203	2.8
10 x 10	254 x 254	3.8
12 x 12	305 x 305	5.0
16 x 16	406 x 406	7.9
18 x 18	457 x 457	9.8
24 x 24	610 x 610	15.9



INSTALLATION DETAIL

HOW TO ORDER OR TO SPECIFY

MODEL: 0900-1 FIRE RATED ACCESS DOOR

EXAMPLE: 0900-1 - 2424 - KC - VP

- | <p>1. Model
0900-1 Fire Rated Access Door</p> | <p>2. Door Size
Width x Height</p> <table border="0"> <thead> <tr> <th>Code</th> <th>inches</th> <th>(mm's)</th> </tr> </thead> <tbody> <tr> <td>0808</td> <td>8" x 8"</td> <td>(203 x 203)</td> </tr> <tr> <td>1212</td> <td>12" x 12"</td> <td>(305 x 305)</td> </tr> <tr> <td>1616</td> <td>16" x 16"</td> <td>(406 x 406)</td> </tr> <tr> <td>1818</td> <td>18" x 18"</td> <td>(457 x 457)</td> </tr> <tr> <td>2424</td> <td>24" x 24"</td> <td>(610 x 610)</td> </tr> </tbody> </table> | Code | inches | (mm's) | 0808 | 8" x 8" | (203 x 203) | 1212 | 12" x 12" | (305 x 305) | 1616 | 16" x 16" | (406 x 406) | 1818 | 18" x 18" | (457 x 457) | 2424 | 24" x 24" | (610 x 610) | <p>OPTIONS:</p> <p>3. Lockable Latch
KC Cylinder Lock with Key.</p> <p>4. Material
SS Stainless Steel Construction.</p> <p>5. Special Size
— Specify special door size.</p> |
|--|---|-------------|--------|--------|------|---------|-------------|------|-----------|-------------|------|-----------|-------------|------|-----------|-------------|------|-----------|-------------|---|
| Code | inches | (mm's) | | | | | | | | | | | | | | | | | | |
| 0808 | 8" x 8" | (203 x 203) | | | | | | | | | | | | | | | | | | |
| 1212 | 12" x 12" | (305 x 305) | | | | | | | | | | | | | | | | | | |
| 1616 | 16" x 16" | (406 x 406) | | | | | | | | | | | | | | | | | | |
| 1818 | 18" x 18" | (457 x 457) | | | | | | | | | | | | | | | | | | |
| 2424 | 24" x 24" | (610 x 610) | | | | | | | | | | | | | | | | | | |

SUGGESTED SPECIFICATION:
Provide and install as shown on plans and/or schedules and at each fire damper location, fire rated access doors as manufactured by Nailor Industries, Inc., which meet the following criteria: Access doors shall be approved by Underwriters Laboratories for 1 1/2 hours, with 250°F (121°C) max. temperature rise 'B' Label rating in walls. Access doors shall also be approved by Warnock Hersey for 2 hours in ceilings and 3 hours in walls. Frame shall be constructed of 16 ga. (1.6) corrosion resistant steel. Door panel shall be constructed of 20 ga. (1.0) corrosion resistant steel and shall be filled with minimum 2" (51) thick mineral insulation to reduce heat and sound transfer. Door and latch shall be self-closing. Finish shall be prime coat. Standard of acceptance shall be Nailor Industries Model Series 0900-1.

MODEL 0900-2 UNIVERSAL ACCESS DOOR

EXAMPLE: 0900-2 - 2424 - KC - VP

- | <p>1. Model
0900-2 Universal Drywall Access Door</p> | <p>2. Door Size
Width x Height</p> <table border="0"> <thead> <tr> <th>Code</th> <th>inches</th> <th>(mm's)</th> </tr> </thead> <tbody> <tr> <td>0808</td> <td>8" x 8"</td> <td>(203 x 203)</td> </tr> <tr> <td>1212</td> <td>12" x 12"</td> <td>(305 x 305)</td> </tr> <tr> <td>1616</td> <td>16" x 16"</td> <td>(406 x 406)</td> </tr> <tr> <td>1818</td> <td>18" x 18"</td> <td>(457 x 457)</td> </tr> <tr> <td>2424</td> <td>24" x 24"</td> <td>(610 x 610)</td> </tr> </tbody> </table> | Code | inches | (mm's) | 0808 | 8" x 8" | (203 x 203) | 1212 | 12" x 12" | (305 x 305) | 1616 | 16" x 16" | (406 x 406) | 1818 | 18" x 18" | (457 x 457) | 2424 | 24" x 24" | (610 x 610) | <p>OPTIONS:</p> <p>3. Lockable Latch
KC Cylinder Lock with Key.</p> <p>4. Material
SS Stainless Steel Construction.</p> <p>5. Special Size
— Specify special door size.</p> |
|---|---|-------------|--------|--------|------|---------|-------------|------|-----------|-------------|------|-----------|-------------|------|-----------|-------------|------|-----------|-------------|---|
| Code | inches | (mm's) | | | | | | | | | | | | | | | | | | |
| 0808 | 8" x 8" | (203 x 203) | | | | | | | | | | | | | | | | | | |
| 1212 | 12" x 12" | (305 x 305) | | | | | | | | | | | | | | | | | | |
| 1616 | 16" x 16" | (406 x 406) | | | | | | | | | | | | | | | | | | |
| 1818 | 18" x 18" | (457 x 457) | | | | | | | | | | | | | | | | | | |
| 2424 | 24" x 24" | (610 x 610) | | | | | | | | | | | | | | | | | | |

SUGGESTED SPECIFICATION:
Provide and install as shown on plans and/or schedules, universal access doors for wall or ceiling mount as manufactured by Nailor Industries, Inc., which meet the following criteria: Frame shall be constructed of 16 ga. (1.6) corrosion resistant steel with rounded corners and 3/16" (5) dia. pre-punched mounting holes. Door shall be constructed of 16 ga. (1.6) corrosion resistant steel with concealed hinges, and shall close flush with face of frame. Door latch shall be slotted screwdriver operated. Finish shall be prime coat suitable for field painting to match building interior. Standard of acceptance shall be Nailor Industries Model Series 0900-2.