

## GENERAL PRODUCT OVERVIEW

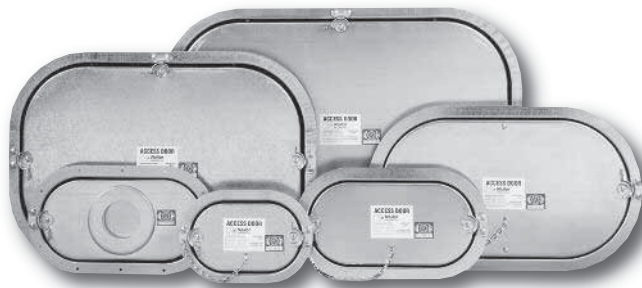
Fire dampers need inspecting and testing, coils need cleaning and controls need adjusting. Nailor Industries offers a range of duct and plenum access doors that have been designed to allow easy and convenient access to such equipment within HVAC ductwork, without compromising safety or ventilation, to meet different duct styles and application needs. The economical 08SCL and 08SH Models feature quality double skin construction that meets SMACNA requirements, with quick simple installation. The ultra-low leakage 0800 Flat Oval Series provides premium quality that optimizes access area and ease of installation. For round duct applications, the 0890 and 0895 Models provide easy mounting and positive closure. All models are available in a wide variety of sizes to suit each specific application and manufactured with pride by members of the Sheet Metal Workers International Association S.M.W.I.A.

### MODELS 08SCL & 08SH SQUARE OR RECTANGULAR ACCESS DOORS

These economical quality access doors meet SMACNA requirements for systems up to 2" w.g. (500 Pa) and provide quick, simple installation wherever duct access is required; available in 20 sizes to meet all access requirements. Design features include a rugged die-formed 22 ga. (0.85) frame and double skin door panels for extra strength, camlock operation for positive seal and easy opening and notched knock-over tabs for a clean and easy installation.



Models 08SCL & 08SH



Model Series 0800

### MODELS SERIES 0800 FLAT OVAL ACCESS DOORS

The Nailor 0800 Series Flat Oval duct access doors are engineered to provide a premium quality, ultra-low leakage door with optimum ergonomics in mind. The unique oval shape was designed after careful study of the needs of site engineering and maintenance personnel. Each door allows a different degree of access, enabling the most appropriate unit to be specified, depending on duct size and likely maintenance requirements. The 0800 Series is available in two frame styles for use with steel duct: a double flange screw hole mounting type (M1) or a knock-over tab type (M2). Both styles come with a simple installation cut-out template which makes the oval shape openings extra easy to cut.

### MODEL 0800-5 POSITIVE PRESSURE TYPE ACCESS DOORS

Nailor Model 0800-5 Access Door was designed for use in higher pressure applications, yet it is suitable for use in medium and low pressure applications where the security of a positive pressure type access door is desired. The design of the 0800-5 is such that as positive static pressure in the duct increases, the force exerted on the door compresses the seal, eliminating any leakage possibilities. The ultra-low leakage design features include rugged die-formed construction, safety handles for assured opening and closing, and wing nut fasteners for secure attachment and alignment.



Model 0800-5

- SQUARE & RECTANGULAR
- MEETS SMACNA STANDARDS
- INSULATED
- FOR STEEL OR FIBERGLASS DUCT (OPTION)

**Models:**

**08SCL Removable with Camlocks**

**08SH Hinged with Camlock Closure**



Model 08SCL

Model 08SH

These economical quality access doors meet SMACNA requirements for systems up to 2" w.g. (500 Pa) and provide quick, simple installation wherever duct access is required. Available in 20 sizes to meet all field requirements, with common sizes available in stock for quick delivery. Design features include rugged die-formed 22 ga. (0.85) frame and double skin door panels for extra strength, camlock operation for positive seal and easy opening and notched knock-over tabs for a clean and easy installation.

**QUALIFICATIONS:**

- Meets SMACNA construction specifications for systems up to 2" w.g. (500 Pa).

**STANDARD CONSTRUCTION:**

- 1. Frame:** Die-formed 22 ga. (0.85) galvanized steel flange frame for strength.
- 2. Door Panel:** Die-formed double skin 22 ga. (0.85) galvanized steel door panel for extra strength.
- 3. Insulation:** 1" (25) dual density insulation.
- 4. Tabs:** Notched knock-over tabs.
- 5. Fasteners:** Plated steel camlock fasteners. See note.
- 6. Gasket:** Positive seal polyethylene gasket.
- 7. Safety Chain:** Safety retaining chain standard on removable door Model 08SCL.
- 8. Hinge:** Continuous piano-type hinge standard on Model 08SH.

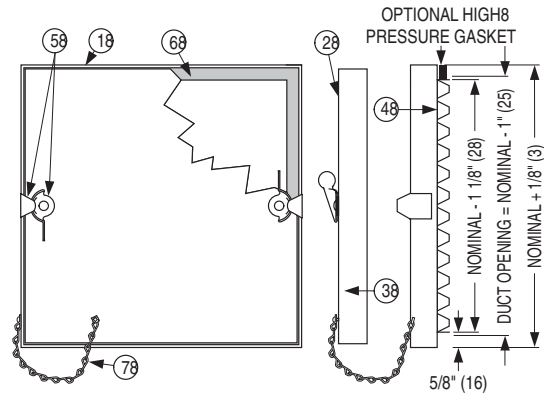
**NOTE:** Removable door Model 08SCL is furnished with four camlocks on sizes over 14" (356) in width or height. Hinged door Model 08SH is furnished with two camlocks on sizes over 14" (356) in height.

**COMMON OPTIONS:**

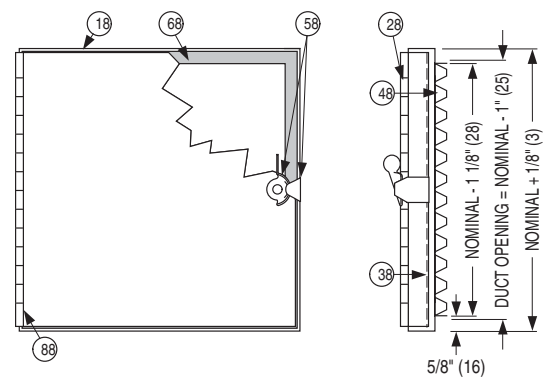
- F10 for 1" (25) fiberglass duct.
- F15 for 1 1/2" (32) fiberglass duct.
- HP High Pressure. Adds second gasket on underside of frame for frame to duct seal.

**Available Sizes (Nominal W x H):**

6 x 6 (152 x 152)	16 x 14 (406 x 356)
8 x 8 (203 x 203)	16 x 16 (406 x 406)
10 x 8 (254 x 203)	18 x 12 (457 x 304)
10 x 10 (254 x 254)	18 x 14 (457 x 356)
12 x 10 (305 x 254)	18 x 16 (457 x 406)
12 x 12 (305 x 305)	18 x 18 (457 x 457)
14 x 10 (356 x 254)	20 x 16 (508 x 406)
14 x 12 (356 x 305)	20 x 20 (508 x 508)
14 x 14 (356 x 356)	24 x 18 (610 x 457)
16 x 12 (406 x 305)	24 x 24 (610 x 610)

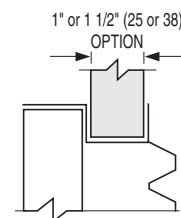


**MODEL 08SCL REMOVABLE DOOR (PAIRED CAMLOCKS)**



**MODEL 08SH HINGED DOOR (WITH CAMLOCK CLOSURE)**

**FIBERGLASS DUCT OPTION**



## HOW TO ORDER OR TO SPECIFY

### MODELS: 08SCL AND 08SH DUCT ACCESS DOORS

**EXAMPLE: 08SCL -2424 - HP - F10**

**1. Models**

- 08SCL Removable Door  
(Paired Camlocks)
- 08SH Hinged Door  
(with Camlock Closure)

**2. Nominal Size**

Width x Height		
Code	inches	(mm's)
0606	6" x 6"	(152 x 152)
0808	8" x 8"	(203 x 203)
1008	10" x 8"	(254 x 203)
1010	10" x 10"	(254 x 254)
1210	12" x 10"	(305 x 254)
1212	12" x 12"	(305 x 305)
1410	14" x 10"	(356 x 254)
1412	14" x 12"	(356 x 305)
1414	14" x 14"	(356 x 356)
1612	16" x 12"	(406 x 305)
1614	16" x 14"	(406 x 356)
1616	16" x 16"	(406 x 406)
1812	18" x 12"	(457 x 305)
1814	18" x 14"	(457 x 356)
1816	18" x 16"	(457 x 406)
1818	18" x 18"	(457 x 457)
2016	20" x 16"	(508 x 406)
2020	20" x 20"	(508 x 508)
2418	24" x 18"	(610 x 457)
2424	24" x 24"	(610 x 610)

**OPTIONS:**

**3. High Pressure Gasketing**

- HP High Pressure.  
Adds second gasket on underside of frame for frame to duct seal.

**4. Fiberglass Duct**

- F10 1" (25) Fiberglass Duct Frame
- F15 1 1/2" (32) Fiberglass Duct Frame

**SUGGESTED SPECIFICATION:**

Provide and install as shown on plans and/or schedules and at each fire damper location, duct access doors as manufactured by Nailor Industries, Inc., which meet the following criteria: Access door shall meet SMACNA requirements for systems up to 2 in. w.g. (500 Pa). Frame shall be constructed of die-formed 22 ga. (0.85) galvanized steel, complete with notched knock-over tabs for quick installation. Door shall be constructed of double skin die-formed 22 ga. (0.85) galvanized steel with 1" (25) insulation fully enclosed within door panel. A positive seal, polyethylene gasket shall be secured to each door.

For a fully removable access door secured with double camlocks and safety chain, standard of acceptance shall be Nailor Industries Model 08SCL.

For a hinged access door with camlock closure, standard of acceptance shall be Nailor Industries Model 08SH.