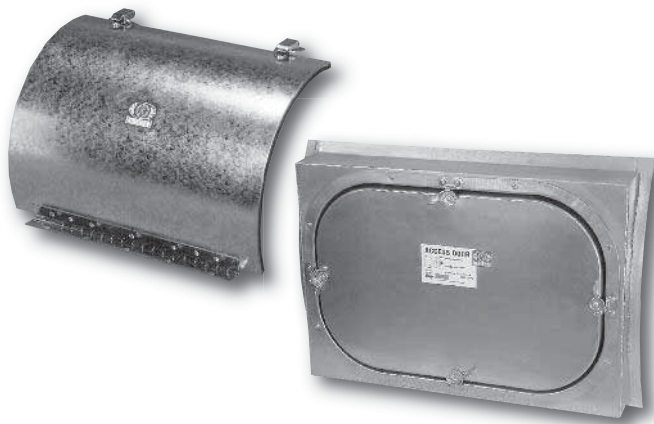


MODEL 0840-6 PLENUM ACCESS DOOR

Nailor Model 0840-6 ultra-low leakage plenum access door provides easy access to larger plenums and equipment housings and is suitable for use in high, medium or low pressure applications. The design features include positive seal gasketing and insulation which provide assured low-leakage performance. The die-formed frame, hinged door and die-cast closure handles provide extra strength and maximum operational convenience.



Model 0840-6



Model 0890

Model 0895

MODELS 0890 & 0895 FOR ROUND DUCT

Nailor Model 0890 is an economical round duct access door suitable for use in low pressure applications. A durable hinge permits the heavy duty 16 ga. (1.6) door to swing open fully, allowing unobstructed access to the duct, while the zinc plated strikes and catches and polyurethane foam gasketing provide a tight, positive seal when closed.

Model 0895 turret style access doors provide heavy duty construction with easy opening, suitable for use in medium and high pressure round duct systems. Features include an all-welded turret box and saddle formed to duct radius, and a high-pressure 0800 Series access door that is caulked and fastened to turret. Zinc plated progressive camlocks and bulb type door gasket provide a secure, tight seal.

MODEL 0900-1 & 0900-2 UTILITY ACCESS DOORS FIRE RATED & GENERAL USE

Nailor Model 0900-1 fire-rated access door is for use whenever it is necessary to provide service access to utilities located within fire separations such as corridor walls, stairwells and ceilings. The 2" (51) thick insulation, which acts as a heat barrier, is also ideal for reducing sound transmission through access opening. The flush key operated latch provides convenient and secure opening and closing. Model 0900-2 is a multi-purpose access door designed to provide convenient access to utilities contained within walls or ceilings. This versatile access door installs flush in drywall, masonry block or tile, and plaster walls and ceilings with a clean unobtrusive finish. Both models are offered in an array of standard sizes, with special sizes available upon request.



Model 0900-1

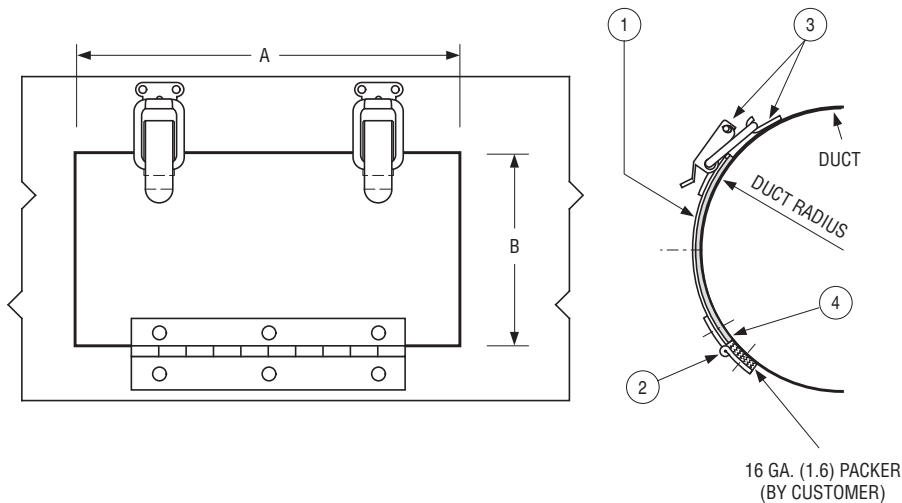
Model 0900-2

- FOR ROUND DUCT
- FOR LOW PRESSURE SYSTEMS
- HINGED



Model 0890

Nailor Model 0890 is an economical round duct access door suitable for use in low pressure applications. A durable hinge permits the heavy duty 16 ga. (1.6) door to swing open fully, allowing unobstructed access to the duct, while the zinc plated strikes and catches and polyurethane foam gasketing provide a tight, positive seal when closed.



STANDARD CONSTRUCTION:

1. **Door:** 16 ga. (1.6) galvanized steel.
2. **Door Hinge**
3. **Fasteners:** Strike and Catch. Zinc plated steel.
4. **Gasket:** Polyurethane foam.

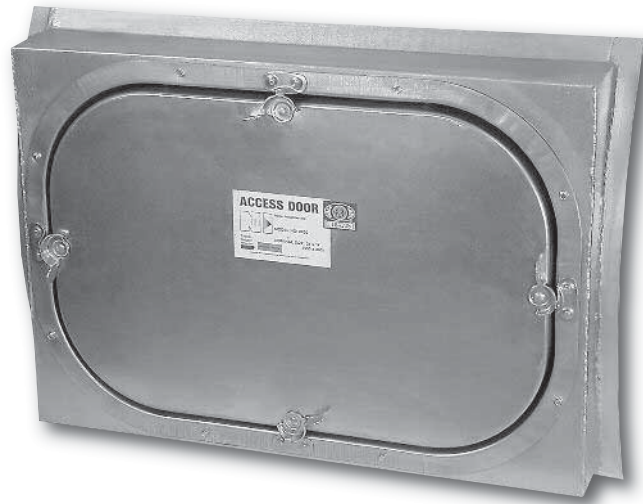
Dimensional Data (W x H):

Duct Diameter	Door Size (A x B)
5 (127)	7 x 4 (178 x 102)
6 (152)	8 x 5 (203 x 127)
7 (178)	9 x 6 (229 x 152)
8 (203)	10 x 7 (254 x 178)
9 (229)	11 x 8 (279 x 203)
10 (254)	12 x 9 (305 x 229)
12 (305)	14 x 10 (356 x 254)
14 (356)	16 x 12 (406 x 305)
16 (406)	16 x 12 (406 x 305)
18 (457)	18 x 14 (457 x 356)
20 (508)	18 x 16 (457 x 406)
24 (610)	18 x 16 (457 x 406)

Additional sizes are available; contact factory.

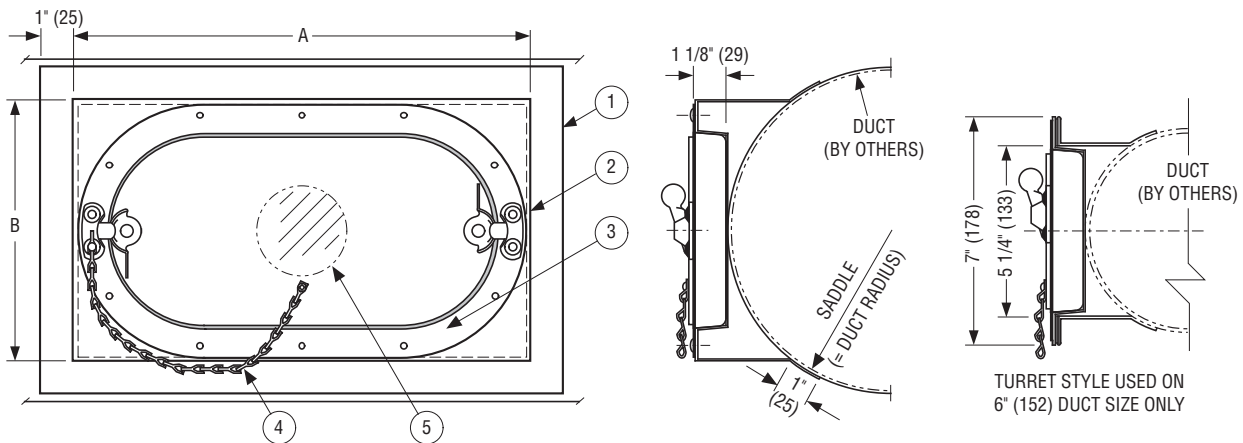
- FOR ROUND DUCT
- FOR HIGH PRESSURE SYSTEMS
- HEAVY DUTY SADDLE AND TURRET

Model:
0895 High Pressure Access Door



Model 0895

Model 0895 turret style access doors provide heavy duty construction with easy opening, suitable for use in medium and high pressure round duct systems. Features include an all-welded turret box and saddle formed to duct radius, and a high-pressure 0800 Series access door that is caulked and fastened to turret. Zinc plated progressive camlocks and bulb type door gasket provide a secure, tight seal.



Dimensional Data (W x H):

Duct Diameter	Nominal Door Size	Turret Dimensions (A x B)	Optional Viewport
6 to 12 (152 to 305)	8 x 5 (203 x 127)	10 x 7 (254 x 178)	n/a
8 to 20 (203 to 508)	12 x 6 (305 x 152)	14 1/4 x 8 1/4 (362 x 209)	2 3/4 dia. (70)
12 to 24 (305 to 610)	18 x 10 (457 x 254)	20 1/4 x 12 1/4 (514 x 311)	5 1/2 dia. (140)
16 to 36 (406 to 914)	21 x 14 (533 x 356)	23 1/4 x 16 1/4 (590 x 413)	5 1/2 dia. (140)
24 to 60 (610 to 1524)	25 x 17 (635 x 432)	27 1/4 x 19 1/4 (692 x 489)	5 1/2 dia. (140)

STANDARD CONSTRUCTION:

- 1. Frame:** 16 ga. (1.6) galvanized steel saddle formed to duct radius.
- 2. Turret Box:** Turret box welded to saddle.
- 3. Access Door:** High pressure access door caulked and screwed or riveted to turret.

COMMON OPTIONS:

- 4. Safety Chain:** Safety chain.
- 5. Viewport:** Viewport (not available on size 8" x 5" [203 x 127]).

LEAKAGE INFORMATION:

Maximum allowable leakage at 8" w.g. (2 kPa):
 8" x 5" (23 x 127): 0.036 cfm (1.02 l/min.)
 12" x 6" (304 x 152): 0.064 cfm (1.8 l/min.)
 18" x 10" (457 x 254): 0.133 cfm (3.78 l/min.)
 21" x 14" (533 x 356): 0.206 cfm (5.82 l/min.)
 25" x 17" (635 x 432): 0.286 cfm (8.1 l/min.)

HOW TO ORDER OR TO SPECIFY

MODEL: 0890 LOW PRESSURE ROUND DUCT ACCESS DOOR

EXAMPLE: 0890 - 20

1. Model 0890 Low Pressure Round Duct Access Door	2. Duct Diameter/Door Size <table border="0"> <thead> <tr> <th colspan="2">Duct Diameter</th> <th colspan="2">Door Size</th> </tr> <tr> <th>Code</th> <th>inches (mm's)</th> <th>inches</th> <th>(mm's)</th> </tr> </thead> <tbody> <tr><td>05</td><td>5" (127)</td><td>7" x 4"</td><td>(178 x 102)</td></tr> <tr><td>06</td><td>6" (152)</td><td>8" x 5"</td><td>(203 x 127)</td></tr> <tr><td>07</td><td>7" (178)</td><td>9" x 6"</td><td>(229 x 152)</td></tr> <tr><td>08</td><td>8" (203)</td><td>10" x 7"</td><td>(254 x 178)</td></tr> <tr><td>09</td><td>9" (229)</td><td>11" x 8"</td><td>(279 x 203)</td></tr> <tr><td>10</td><td>10" (254)</td><td>12" x 9"</td><td>(305 x 229)</td></tr> <tr><td>12</td><td>12" (305)</td><td>14" x 10"</td><td>(356 x 254)</td></tr> <tr><td>14</td><td>14" (356)</td><td>16" x 12"</td><td>(406 x 305)</td></tr> <tr><td>16</td><td>16" (406)</td><td>16" x 12"</td><td>(406 x 305)</td></tr> <tr><td>18</td><td>18" (457)</td><td>18" x 14"</td><td>(457 x 356)</td></tr> <tr><td>20</td><td>20" (508)</td><td>18" x 16"</td><td>(457 x 406)</td></tr> <tr><td>24</td><td>24" (610)</td><td>18" x 16"</td><td>(457 x 406)</td></tr> </tbody> </table>	Duct Diameter		Door Size		Code	inches (mm's)	inches	(mm's)	05	5" (127)	7" x 4"	(178 x 102)	06	6" (152)	8" x 5"	(203 x 127)	07	7" (178)	9" x 6"	(229 x 152)	08	8" (203)	10" x 7"	(254 x 178)	09	9" (229)	11" x 8"	(279 x 203)	10	10" (254)	12" x 9"	(305 x 229)	12	12" (305)	14" x 10"	(356 x 254)	14	14" (356)	16" x 12"	(406 x 305)	16	16" (406)	16" x 12"	(406 x 305)	18	18" (457)	18" x 14"	(457 x 356)	20	20" (508)	18" x 16"	(457 x 406)	24	24" (610)	18" x 16"	(457 x 406)
Duct Diameter		Door Size																																																							
Code	inches (mm's)	inches	(mm's)																																																						
05	5" (127)	7" x 4"	(178 x 102)																																																						
06	6" (152)	8" x 5"	(203 x 127)																																																						
07	7" (178)	9" x 6"	(229 x 152)																																																						
08	8" (203)	10" x 7"	(254 x 178)																																																						
09	9" (229)	11" x 8"	(279 x 203)																																																						
10	10" (254)	12" x 9"	(305 x 229)																																																						
12	12" (305)	14" x 10"	(356 x 254)																																																						
14	14" (356)	16" x 12"	(406 x 305)																																																						
16	16" (406)	16" x 12"	(406 x 305)																																																						
18	18" (457)	18" x 14"	(457 x 356)																																																						
20	20" (508)	18" x 16"	(457 x 406)																																																						
24	24" (610)	18" x 16"	(457 x 406)																																																						

SUGGESTED SPECIFICATION:

Provide and install as shown on plans and/or schedules and at each fire damper location, low pressure duct access doors for round duct as manufactured by Nailor Industries, Inc., which meet the following criteria: Door shall be formed to circumference of duct, constructed of 16 ga. (1.6) galvanized steel with a hinge and zinc plated strikes and catches for secure closing. Door shall be complete with full gasketing to minimize leakage. Standard of acceptance shall be Nailor Industries Model 0890.

MODEL: 0895 HIGH PRESSURE TURRET ROUND DUCT ACCESS DOOR

EXAMPLE: 0895 - 20 - 2517 - SC - VP

1. Model 0895 High Pressure Round Duct Turret Access Door	3. Nominal Door Size <table border="0"> <thead> <tr> <th>Code</th> <th>inches</th> <th>(mm's)</th> </tr> </thead> <tbody> <tr><td>0805</td><td>8" x 5"</td><td>(203 x 127)</td></tr> <tr><td>1206</td><td>12" x 6"</td><td>(305 x 152)</td></tr> <tr><td>1810</td><td>18" x 10"</td><td>(457 x 254)</td></tr> <tr><td>2114</td><td>21" x 14"</td><td>(533 x 356)</td></tr> <tr><td>2517</td><td>25" x 17"</td><td>(635 x 432)</td></tr> </tbody> </table>	Code	inches	(mm's)	0805	8" x 5"	(203 x 127)	1206	12" x 6"	(305 x 152)	1810	18" x 10"	(457 x 254)	2114	21" x 14"	(533 x 356)	2517	25" x 17"	(635 x 432)	OPTIONS: 4. SC Safety Chain. 5. VP Viewport.
Code	inches	(mm's)																		
0805	8" x 5"	(203 x 127)																		
1206	12" x 6"	(305 x 152)																		
1810	18" x 10"	(457 x 254)																		
2114	21" x 14"	(533 x 356)																		
2517	25" x 17"	(635 x 432)																		
2. Duct Diameter Width x Height <table border="0"> <thead> <tr> <th>Code</th> <th>inches</th> <th>(mm's)</th> </tr> </thead> <tbody> <tr><td>06</td><td>6"</td><td>(152)</td></tr> <tr><td colspan="3">in 1" (25) increments to</td></tr> <tr><td>60</td><td>60"</td><td>(1524)</td></tr> </tbody> </table>	Code	inches	(mm's)	06	6"	(152)	in 1" (25) increments to			60	60"	(1524)								
Code	inches	(mm's)																		
06	6"	(152)																		
in 1" (25) increments to																				
60	60"	(1524)																		

SUGGESTED SPECIFICATION:

Provide and install as shown on plans and/or schedules and at each fire damper location, high pressure duct access doors for round duct as manufactured by Nailor Industries, Inc., which meet the following criteria: Access doors shall meet British Standard DW144 Class C for leakage. Manufacturer shall submit leakage data tested to minimum of 8 in. w.g. (2 kPa). Door assembly shall be factory installed and caulked onto a 16 ga. (1.6) galvanized steel welded turret and saddle, formed to match duct circumference. Door frame shall be of oval design, constructed of die-formed 22 ga. (0.85) galvanized steel. Door shall be constructed of double skin die-formed 22 ga. (0.85) galvanized steel 1" (25) insulation fully enclosed within door panels. Bulb type seal shall be integrally fastened to door for positive seal. Standard of acceptance shall be Nailor Industries Model 0895.