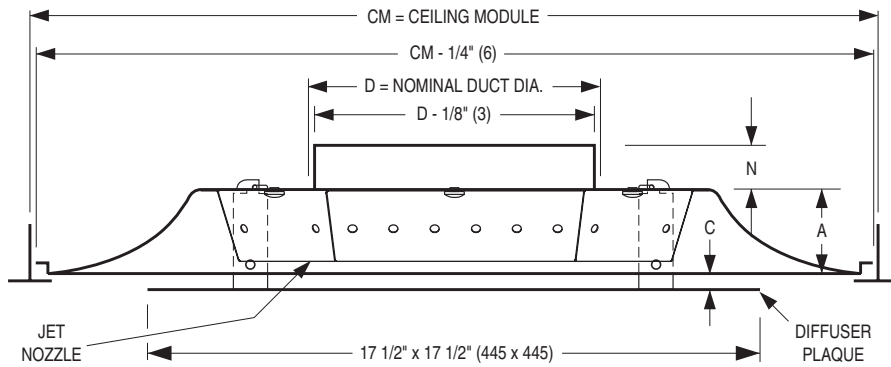




ARCHITECTURAL CEILING DIFFUSERS
SQUARE PLAQUE • JET NOZZLE
CORNER POSTS • ROUND NECK • STEEL
MODEL: UNI2-JN

TYPE L Lay-in T-Bar



Dimensional Data

CM		Imperial Units (inches)					Metric Units (mm)				
Imperial Modules	Metric Modules	Duct Size D	N	A	B	C	Duct Size D	N	A	B	C
24 x 24	600 x 600	4, 5, 6, 7, 8	1 1/4	2 5/16	22	3/8	102, 127, 152, 178, 203	32	59	559	10

DESCRIPTION:

1. Material: Corrosion-resistant steel.
2. The UNI2-JN Diffuser is designed to optimize performance under low airflow. The jet nozzle chamber creates high velocity air jets, allowing for high throw with airflows under 100 CFM.
3. The diffuser delivers a tight 360° radial horizontal pattern allowing high turn down ratios with no dumping. Excellent for VAV systems.
4. The diffuser features a stamped one-piece outer-cone backpan which eliminates mitered corners. The inner face panel features a hemmed edge for strength and a clean appearance. The hemmed edge also mechanically captures the hanger brackets. This design eliminates welding and assures a clean smooth blemish free painted finish under all lighting conditions.
5. The face panel is held in place by four hook corner posts that positively engage into slots in the backpan. The induction chamber is secured against the backpan with four mounting screws. The panel can be removed from the backpan for diffuser installation and to provide access to an optional inlet damper.
6. Standard finish is AW Appliance White.

OPTIONS:

Dampers:

- 4250 Radial Sliding Blade Damper
- 4275 Radial Opposed Blade Damper
- 4675 Butterfly Damper

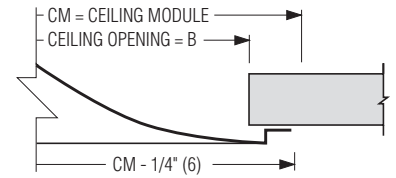
- MIB Molded Insulation Blanket - R-6.0
- EIC Extended Inlet Collar (2.25") with bead
- EQT Earthquake Tabs

Finish:

- SP Special. Specify _____.

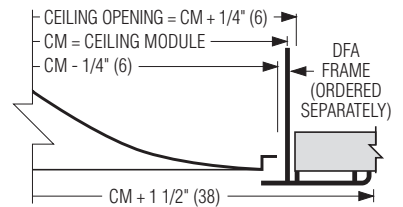
TYPE L Surface Mount

Hard duct connection recommended.

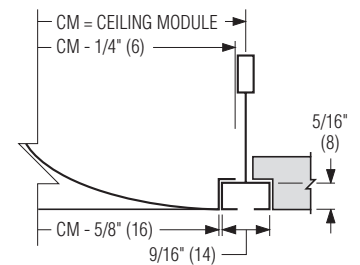


TYPE L Surface Mount With DFA

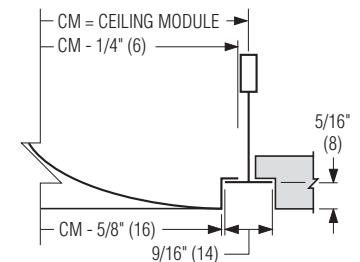
Drywall/Plaster frame. Recommended for flexible duct connection and ceiling access.



TYPE F Fineline® 9/16" Bolt Slot T-Bar



TYPE F Fineline® 9/16" Tegular T-Bar



SCHEDULE TYPE:

PROJECT:

ENGINEER:

CONTRACTOR:

Dimensions are in inches (mm).

DATE	B SERIES	SUPERSEDES	DRAWING NO.
3 - 31 - 22	UNI	NEW	UNI2-JN