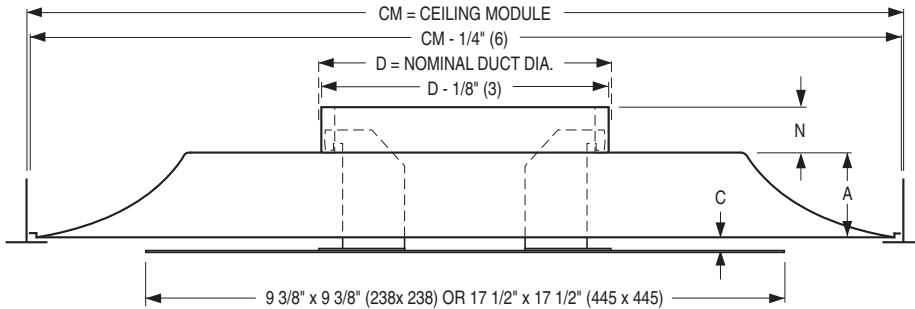




ARCHITECTURAL CEILING DIFFUSERS
SQUARE PLAQUE • CONCEALED NECK BRACKETRY
ALUMINUM • ROUND NECK
MODEL: AUNI

TYPE L Lay-in T-Bar



Dimensional Data

Ceiling Module CM		Imperial Units (inches)						Metric Units (mm)					
Imperial Modules	Metric Modules	Duct Size D	N	A	B	C	F	Duct Size D	N	A	B	C	F
12 x 12	300 x 300	4*	3 1/4	1	11	5/8	13	102*	83	25	279	16	330
		5, 6, 7, 8	1 1/4					127, 152, 178, 203	32				
24 x 24	600 x 600	6, 8, 10, 12, 14, 15	1 1/4	2 5/16	22	3/8	N/A	152, 203, 254, 305, 356, 381	32	59	559	10	N/A

* Supplied with a reducer.

DESCRIPTION:

1. Material: Aluminum with corrosion-resistant steel neck bracketry.
2. The AUNI Diffuser has been designed to provide both the unobtrusive appearance for architectural excellence and engineered performance. Unique, concealed neck bracketry design is virtually invisible from a normal viewing position, giving the appearance that the plaque face floats below the backpan. There are no visible corner posts as on competitor's models to detract from the aesthetically clean design.
3. The diffuser delivers a tight 360° radial horizontal pattern allowing high turn down ratios with no dumping. Excellent for VAV systems.
4. The diffuser features a stamped one-piece outer-cone which eliminates mitered corners and a double skinned inner face panel with a hemmed edge for strength and a clean appearance.
5. A spring clip arrangement permits quick, easy installation and removal of the inner core assembly.
6. Standard finish is AW Appliance White.

OPTIONS:

- EX External Foil-Back Insulation, installed - R-4.2
- EXB External Foil-Back Insulation, ships loose - R-4.2
- MIB Molded Insulation Blanket - R-6.0 (24 x 24 only)
- EQT Earthquake Tabs

Finish:

- SP Special. Specify _____.

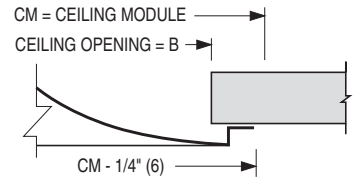
QB Quadrant Blanks:

- QB3 3-Way Blow
- QC2 2-Way Corner Blow
- QB2 2-Way Opposite Blow
- QB1 1-Way Blow

Fineline® is a registered trademark of USG Interiors Inc.

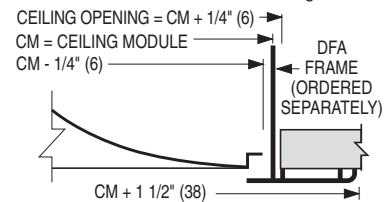
TYPE L Surface Mount

Hard duct connection recommended.



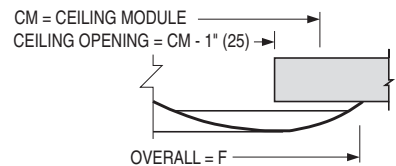
TYPE L Surface Mount With DFA

Drywall/Plaster frame. Recommended for flexible duct connection and ceiling access

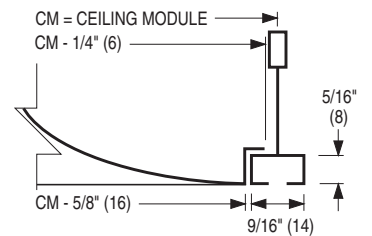


TYPE S Surface Mount

(12 x 12 [305 x 305] module only)



TYPE F Fineline®



SCHEDULE TYPE:	
PROJECT:	
ENGINEER:	
CONTRACTOR:	

Dimensions are in inches (mm).

DATE	B SERIES	SUPERSEDES	DRAWING NO.
1 - 24 - 17	UNI	7 - 25 - 16	UNI-6