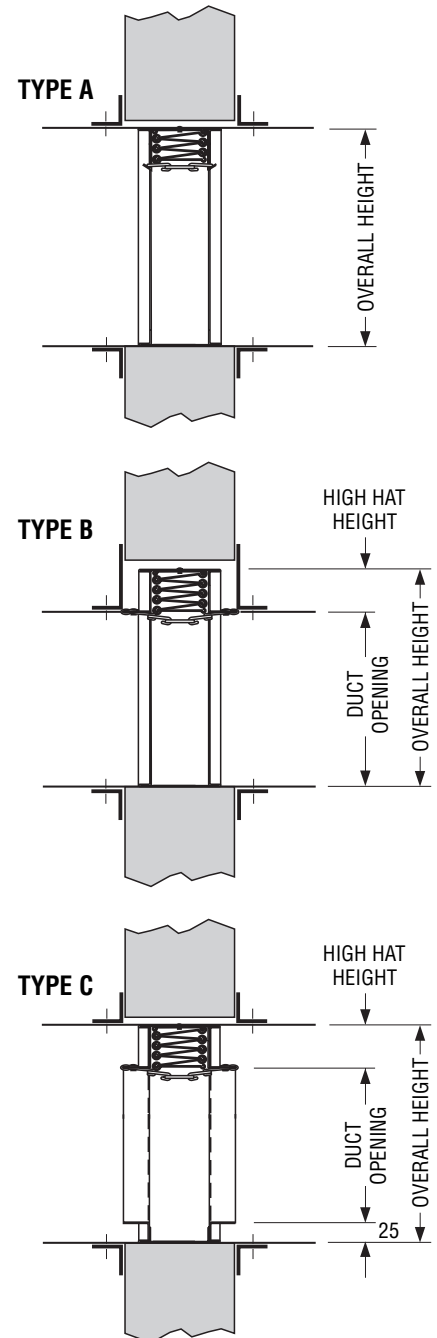




**FIRE DAMPER SIZING CHART • METRIC**  
**STANDARD FRAME (108 MM WIDE)**  
**MODEL SERIES 0100, 0500**

DUCT OPENING HEIGHT (mm)	TYPE "A" OVERALL HEIGHT (mm)	TYPE "B" OVERALL HEIGHT (mm)	TYPE "C" OVERALL HEIGHT (mm)
102	95	156	146
127	121	181	171
152	146	206	222
178	171	232	248
203	197	257	273
229	222	283	298
254	248	308	324
279	273	333	349
305	298	359	375
330	324	384	400
356	349	410	425
381	375	435	451
406	400	460	476
432	425	486	502
457	451	537	552
483	476	562	578
508	502	587	603
534	527	613	629
559	552	638	654
584	578	664	679
610	603	689	705
635	629	714	730
661	654	740	756
656	679	765	781
711	705	816	832
737	730	841	857
762	756	867	883
787	781	892	908
813	806	918	933
838	832	943	959
864	857	968	984
889	883	994	1010
914	908	1019	1035
940	933	1070	1086
965	959	1095	1111
991	984	1121	1137
1016	1010	1146	1162
1041	1035	1172	1187
1067	1060	1197	1213
1092	1086	1222	1238
1117	1111	1248	1264
1143	1137	1273	1289
1168	1162	1324	1340
1194	1187	1349	1365
1219	1213	1375	1391
1245	1238	1400	1416
1270	1264	1426	1441
1296	1289	1451	1467
1321	1314	1476	1492
1346	1340	1502	1518
1372	1365	1527	
1397	1391	<b>DAMPER WIDTH OVERALL</b> Type "A" = Duct Opening - 6. Type "B" = Duct Opening - 6. Type "C" = Duct Opening + 44.	
1423	1416		
1448	1441		
1473	1467		
1499	1492		
1524	1518		

**Important Note:** Type "B" and "C" overall height dimensions only apply to sizes that are single section high. For overall height dimensions for sizes that are multi-section in height, please contact factory. Refer to individual model submittal drawings for maximum single section heights.



Dimensions are in inches (mm).

<b>SCHEDULE TYPE:</b>
<b>PROJECT:</b>
<b>ENGINEER:</b>
<b>CONTRACTOR:</b>

<b>DATE</b>	<b>B SERIES</b>	<b>SUPERSEDES</b>	<b>DRAWING NO.</b>
1 - 24 - 06	FD	2 - 25 - 02R	SC2