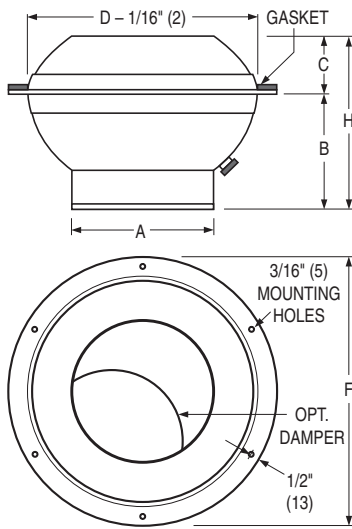




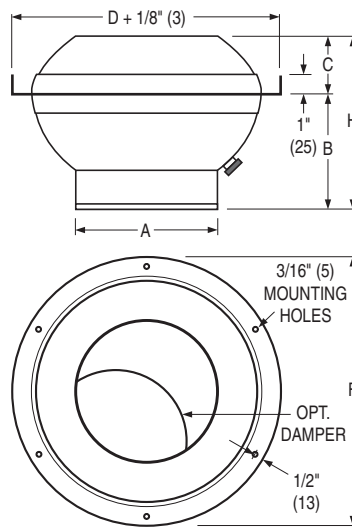
ROUND PUNKAH LOUVER / JET NOZZLE
ALUMINUM • HIGH VELOCITY • ROUND NECK
MODEL: RPL



SM Frame
(Surface Mount)

Nom. Size	A	B	C	D	F	H	Mtg. Holes
* 3 (76)	1 5/8 (41)	1 3/4 (44)	15/16 (24)	3 1/8 (79)	5 (127)	2 11/16 (152)	3
4 (102)	2 (51)	2 9/16 (65)	3/4 (19)	4 (102)	6 (152)	3 5/16 (84)	3
6 (152)	3 (76)	3 1/16 (78)	1 7/16 (37)	6 (152)	8 (203)	4 1/2 (114)	4
8 (203)	4 3/8 (111)	4 1/4 (108)	1 3/4 (44)	8 (203)	10 (254)	6 (152)	4
10 (254)	5 3/4 (146)	5 1/2 (140)	2 7/8 (73)	10 (254)	12 (305)	8 3/8 (213)	6
12 (305)	7 3/8 (187)	6 (152)	3 (76)	12 (305)	14 (356)	9 (229)	6
14 (356)	8 5/8 (219)	7 1/8 (181)	4 1/8 (105)	14 (356)	16 (406)	11 1/4 (286)	6
16 (406)	9 3/4 (248)	8 1/4 (210)	4 3/4 (121)	16 (406)	18 (457)	13 (330)	6
18 (457)	10 1/2 (267)	9 1/2 (241)	4 1/4 (108)	18 (457)	20 (508)	13 3/4 (349)	8
20 (508)	12 3/8 (314)	10 7/8 (276)	4 7/8 (124)	20 (508)	22 (559)	15 3/4 (400)	8

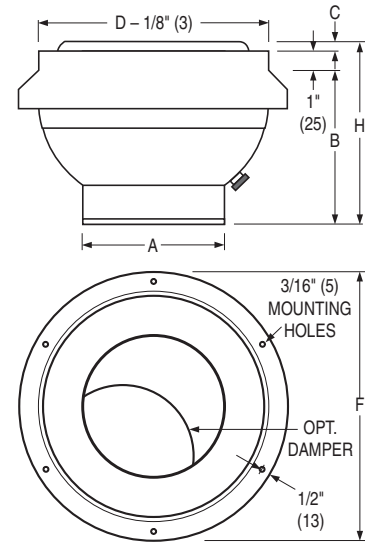
* Aperture damper is not available on 3" (76) unit.



RD Frame
(Exposed Round Duct)

Nom. Size	A	B	C	D	F	H
4 (102)	2 (51)	2 9/16 (65)	3/4 (19)	6 (152)	6 (152)	3 5/16 (84)
6 (152)	3 (76)	3 1/16 (78)	1 7/16 (37)	8 (203)	8 (203)	4 1/2 (114)
8 (203)	4 3/8 (111)	4 1/4 (108)	1 3/4 (44)	10 (254)	10 (254)	6 (152)
10 (254)	5 3/4 (146)	5 1/2 (140)	2 7/8 (73)	12 (305)	12 (305)	8 3/8 (213)
12 (305)	7 3/8 (187)	6 (152)	3 (76)	14 (356)	14 (356)	9 (229)
14 (356)	8 5/8 (219)	7 1/8 (181)	4 1/8 (105)	16 (406)	16 (406)	11 1/4 (286)
16 (406)	9 3/4 (248)	8 1/4 (210)	4 3/4 (121)	18 (457)	18 (457)	13 (330)
18 (457)	10 1/2 (267)	9 1/2 (241)	4 1/4 (108)	20 (508)	20 (508)	13 3/4 (349)
20 (508)	12 3/8 (314)	10 7/8 (276)	4 7/8 (124)	22 (559)	22 (559)	15 3/4 (400)

Inches are measured to the nearest 1/16" (2).
Note: † The RD frame model nominal size is 2" (51) smaller than the duct size it mounts to.
 Example: A size 10 mounts on a 12" (305) duct.



RR Frame
(Round Reducer)

Nom. Size	A	B	C	D	F	H
6 (152)	3 (76)	5 9/16 (141)	1 (25)	6 (152)	8 (203)	6 9/16 (167)
8 (203)	4 3/8 (111)	6 3/4 (171)	1 (25)	8 (203)	10 (254)	7 3/4 (197)
10 (254)	5 3/4 (146)	8 (203)	1 (25)	10 (254)	12 (305)	9 (229)
12 (305)	7 3/8 (187)	8 1/2 (216)	1 (25)	12 (305)	14 (356)	9 1/2 (241)
14 (356)	8 5/8 (219)	9 5/8 (244)	1 5/8 (41)	14 (356)	16 (406)	11 1/4 (286)
16 (406)	9 3/4 (248)	10 3/4 (273)	2 1/4 (57)	16 (406)	18 (457)	13 (330)
18 (457)	10 1/2 (267)	12 (305)	1 3/4 (44)	18 (457)	20 (508)	13 3/4 (349)
20 (508)	12 3/8 (314)	13 3/8 (240)	2 3/8 (60)	20 (508)	22 (559)	15 3/4 (400)

DESCRIPTION:

1. Material: Aluminum construction.
2. Model RPL Round Punkah Louver is a high velocity jet nozzle that is ideally suited for industrial, institutional or commercial applications requiring accurate directional control of a concentrated column of air. The versatile design offers low noise levels, low pressure requirements, easy finger tip adjustment and directional air pattern control ± 35° deflection with full 360° rotation.
3. Frame Type SM – Mounting screws are included.
 Frame Type RD – Frame slides cleanly over end of exposed duct work. Mounting screws are included.
 Frame Type RR – Frame slides cleanly in to end of exposed duct work. Mounting screws are included.

4. GK Foam Gasket is standard (Frame Type SM only).
5. Standard finish is AW Appliance White.

OPTIONS:

- Frame:
- SM Surface Mount (Wall/Ceiling)
 - RD Exposed Round Duct
 - RR Round Reducer
 - APD Aperture Damper (Stainless Steel Damper Hardware)
- Finish:
- SP Special. Specify: _____ .

SCHEDULE TYPE

PROJECT

ENGINEER

CONTRACTOR

Dimensions are in inches (mm).

DATE

B SERIES

SUPERSEDES

DRAWING NO.

3 - 20 - 19

RPL

1 - 31 - 19

RPL-1