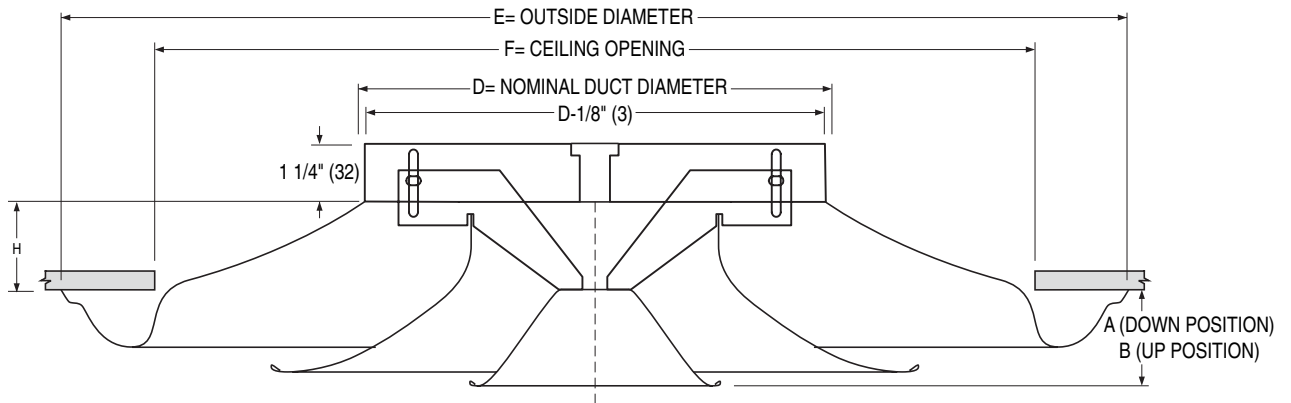




ROUND CEILING DIFFUSER
SPUN STEEL CONSTRUCTION • ADJUSTABLE
HORIZONTAL TO VERTICAL DISCHARGE PATTERN
MODEL: RNRA1



DESCRIPTION:

1. Material: Corrosion-resistant steel.
2. The Nailor RNRA1 round ceiling diffuser features three concentric cones in all sizes to offer a balanced appearance where different sizes are used in the same area.
3. Designed for both heating and cooling applications. The air discharge pattern is fully adjustable between horizontal and vertical. In the fully open (down) setting, capacity is maximized and throw is horizontal. In the fully closed (up) setting, air projects vertically down from the diffuser.
4. The diffusers deliver the air in a true 360° radial that provides excellent performance in variable air volume systems.
5. Discharge settings are easily field set by sliding the inner cone assembly up or down. The core is securely retained by a spring loaded friction arrangement.
6. Adjustable discharge settings allow the diffusers to accommodate different flow conditions.
7. A spring clip arrangement permits quick, easy installation and removal of the inner cone assembly.
8. An optional round opposed blade damper is screwdriver-operated through the face of the unit.
9. Designed for exposed duct or hard ceiling applications.
10. Standard finish is AW appliance white.

Dimensional Data

Listed Size	Imperial Units (inches)					Metric Units (mm)				
	A	B	E	F	H	A	B	E	F	H
6	1 3/4	3/4	14 1/8	12	7/8	44	19	359	305	22
8	2	1	18 3/4	16	1 1/4	51	25	476	406	32
10	2 1/2	1 1/4	22 7/8	20	1 1/2	64	32	581	508	38
12	3 1/4	1 3/4	27 3/8	24	1 7/8	83	44	695	610	48
14	3 3/4	1 3/4	32	28	1 7/8	95	44	813	711	48
16	4	2	36 1/4	32	2 1/8	102	51	921	813	54

OPTIONS:

- SC Safety chain
- GK Foam gasket
- EQ Earthquake tabs

Finish

- SP Special. Specify _____ .

SCHEDULE TYPE:

PROJECT:

ENGINEER:

CONTRACTOR:

Dimensions are in inches (mm).

DATE	B SERIES	SUPERSEDES	DRAWING NO.
5 - 22 - 08	RNR	4 - 14 - 08	RNRA1