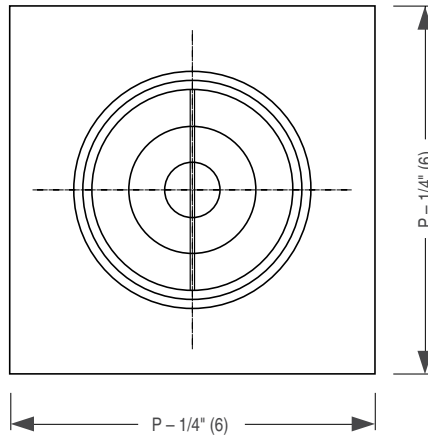
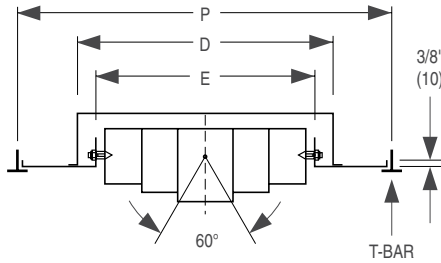




ROUND AIR NOZZLE DIFFUSER
STEEL OR ALUMINUM • CONCENTRIC RINGS
PANEL MOUNTED • LAY-IN T-BAR
MODEL: RANCPL



PL Frame			
E Nominal Size	Rings Per Nozzle	D (Duct)	P (Panel)
6	3	8 (203)	24 (610)
8	3	10 (254)	24 (610)
10	3	12 (305)	24 (610)
12	3	14 (356)	24 (610)
14	4	16 (406)	24 (610)

Inches are measured to the nearest 1/16" (2).

DESCRIPTION:

1. Material: Heavy gauge steel construction is standard.
2. Model RANCPL is a Round Air Nozzle Diffuser that has been designed for lay-in T-Bar ceiling systems. The high capacity concentric ring nozzle diffusers are housed in a panel and ideally suited for industrial, institutional or commercial applications requiring directional control of a concentrated column of air. The versatile design offers adjustment of the nozzle element with a full 360° rotation for a variety of directional control settings.
3. Nominal sizes are available in 6" to 14" (152 to 356) for a 24" (610) panel.
4. Standard finish is AW Appliance White.

OPTIONS:

- ALC Aluminum construction
Finish:
- SP Special.
Specify: _____ .

Dimensions are in inches (mm).

SCHEDULE TYPE				
PROJECT				
ENGINEER	DATE	B SERIES	SUPERSEDES	DRAWING NO.
CONTRACTOR	3 - 7 - 19	RAN	11 - 29 - 18	RAN-5