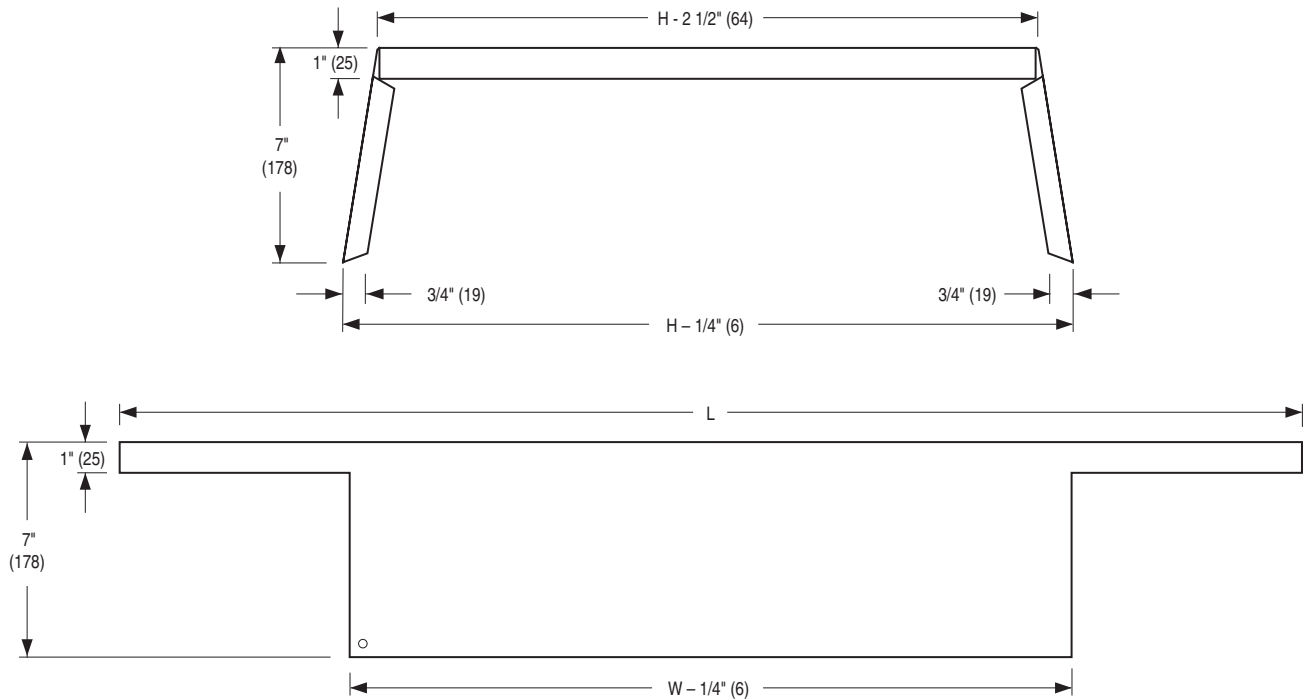


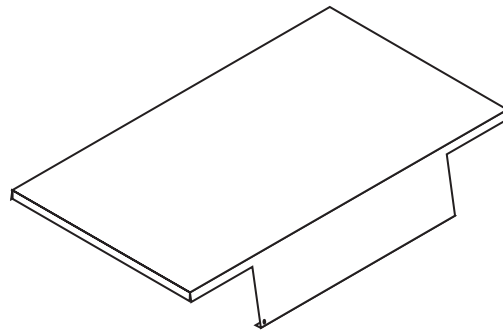


**RETURN AIR CROSTALK ATTENUATOR  
STEEL • RETURN AIR GRILLES  
MODEL: RACA**



**DIMENSIONAL DATA:**

CM Ceiling Module	W	H	L
12" x 12" (305 x 305)	12" (305)	12" (305)	26 1/2" (673)
24" x 12" (610 x 305)	24" (610)	12" (305)	38 1/2" (978)
20" x 20" (508 x 508)	20" (508)	20" (508)	34 1/2" (876)
24" x 24" (610 x 610)	24" (610)	24" (610)	38 1/2" (978)
30" x 30" (762 x 762)	30" (762)	30" (762)	44 1/2" (1130)
48" x 24" (1219 x 610)	48" (1219)	24" (610)	62 1/2" (1588)



**DESCRIPTION:**

Nailor Model RACA Return Air Crosstalk Attenuator is designed to greatly reduce the amount of sound transferred from the return air plenum through open vents or return grilles, into the adjoining space. For use with non-ducted return grilles in Lay-in T-Bar applications, the RACA allows return air to flow through with minimal pressure drop, while reducing the sound transmission by 7 – 10 NC. Constructed of 24 gauge galvanized steel, the compact, light weight design takes up minimal space in the return plenum, rests on the ceiling grid for easy installation and works effectively as a light shield. Available with 3/4" (19) dual density fiberglass insulation as standard or optional 3/4" (19) fiber-free closed cell foam insulation. The RACA fits standard grille sizes and is ideal for interior offices, conference rooms, hotel rooms as well as recording studios.

**FEATURES:**

- Economical and light- weight design.
- Fits standard grille sizes.
- Easy installation sits on ceiling grid.
- Compact design takes up minimal space in return plenum.
- 3/4" (19) fiberglass insulation (standard).

**OPTION:**

- FF75** 3/4" (19) Fiber-free closed cell foam.

<b>SCHEDULE TYPE:</b>		Dimensions are in inches (mm).			
<b>PROJECT:</b>					
<b>ENGINEER:</b>	<b>DATE</b>	<b>B SERIES</b>	<b>SUPERSEDES</b>	<b>DRAWING NO.</b>	
<b>CONTRACTOR:</b>	7 - 26 - 23	ACC	11 - 7 - 19	RACA	