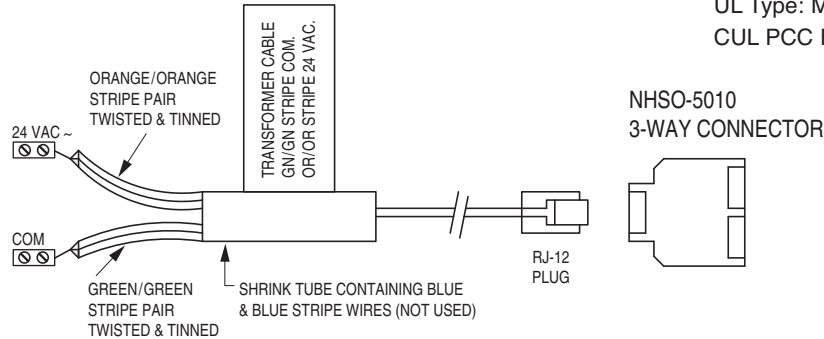




VAV FLOOR DIFFUSER COMMUNICATION CABLES UNDERFLOOR AIR DISTRIBUTION SYSTEMS MODEL SERIES: NHSO

NAILOR NPS POWER SUPPLY MODULE:

NHSO-2121 (12") TRANSFORMER CABLE (supersedes - 5011)



CABLE SPECIFICATION:

24 AWG 6-Conductor Plenum Cable
UL Type: MPP / CMP
CUL PCC FT6-Level 2 or higher

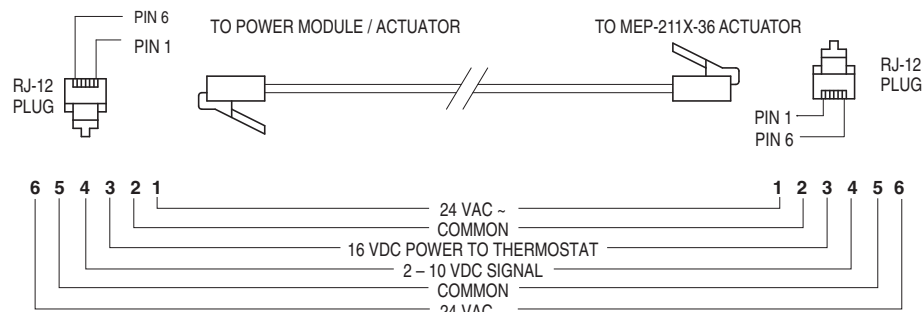
ACTUATOR CABLES:

NHSO-2212 (12 ft.) Standard (supersedes - 5013-12)

NHSO-2220 (20 ft.) Optional (supersedes - 5013-20)

NHSO-2250 (50 ft.) Optional (supersedes - 5013-50)

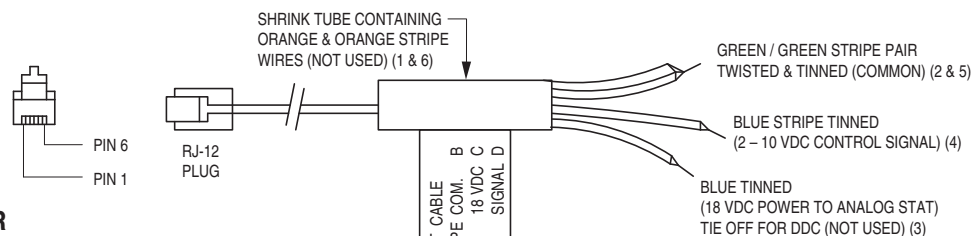
Connects VAV diffusers to each other and/or power supply module.



CABLE DETAILS

CTE-5015 ANALOG MINI-THERMOSTAT /DDC CONTROL CABLE:

NHSO-5012 (50 ft.) CONNECTS TO A VAV DIFFUSER AT END OF DAISY CHAIN



WIRING TABLE COLOR

Pin 1	Orange	X
Pin 2	Green	Common B
Pin 3	Blue	18 VDC Power C
Pin 4	Blue Stripe	2 - 10 VDC Control Signal D
Pin 5	Green Stripe	Common B
Pin 6	Orange Stripe	X

SCHEDULE TYPE:

PROJECT:

ENGINEER:

CONTRACTOR:

Dimensions are in inches (mm).

DATE

B SERIES

SUPERSEDES

DRAWING NO.

9 - 10 - 18

NLD

9 - 22 - 09

NHSO-1