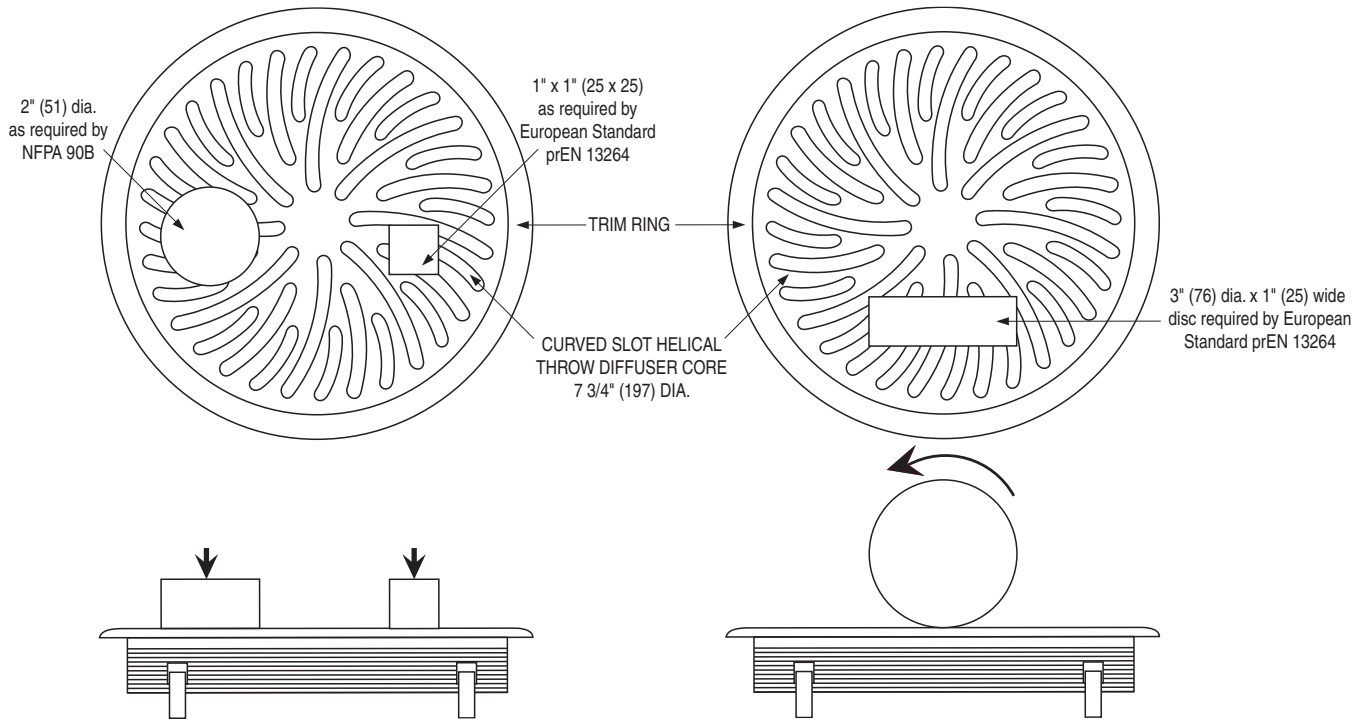




FLOOR "SWIRL" DIFFUSER
MAXIMUM FLOOR LOADING
UNDERFLOOR AIR DISTRIBUTION SYSTEMS
MODELS: NFD AND ANFD

Static Concentrated Load

Dynamic Rolling Load



Maximum Recommended Floor Loading

Standard	Static Concentrated Load Test		Dynamic Rolling Load Test		
	Load Applied	Indenter Type	Load Applied	Indenter Type	Cycles
European Standard prEN 13264	674 lbs (306 kg)	1" x 1" (25mm x 25mm)	674 lbs (306 kg)	3" (76mm) dia. x 1" (25) wide wheel	25
NFPA 90B	200 lbs (91 kg)	2" dia. (51mm) disc			

Description:

1. Test results are based on Nailor Floor Swirl Diffuser models NFD, constructed from high impact polycarbonate plastic, and model ANFD constructed from cast aluminum. Both samples were installed in an 8" (203mm) diameter floor opening according to the manufacturers recommended installation instructions.
2. The maximum recommended load values shown in the chart represent the load that can be applied to the product without permanent deflection to the diffuser face. The required safety load tested for actual structure integrity is generally 2 to 5 times greater.
3. Concentrated load test in accordance with NFPA 90B. Units were tested with a concentrated load on a 2" (51mm) diameter disk applied to multiple locations on the most critical areas of exposed face floor diffuser. In accordance with the standard, the tests were conducted at an elevated temperature of 165° F (74° C). The standard requires the grilles to resist, without structural failure a concentrated load of 200 lbs (90.7 kg).
4. Concentrated load test in accordance with European Standard prEN 13264. The NFD unit was tested at the concentrated load with a 1" x 1" indenter applied to multiple locations on the most critical areas of the diffuser face without structural failure.
5. Rolling load test is in accordance with European Standard prEN 13264. Units were tested at the load shown with a 3" (76mm) diameter, 1" (25mm) wide steel wheel, traversed across the diffuser face a minimum of 25 times in both horizontal and vertical directions without structural failure.

SCHEDULE TYPE:	Dimensions are in inches (mm).			
PROJECT:				
ENGINEER:	DATE	B SERIES	SUPERSEDES	DRAWING NO.
CONTRACTOR:	1 - 30 - 12	NFD	NEW	NFDLOADTEST