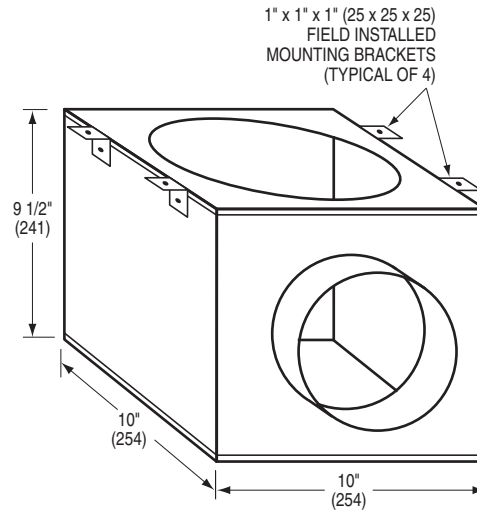
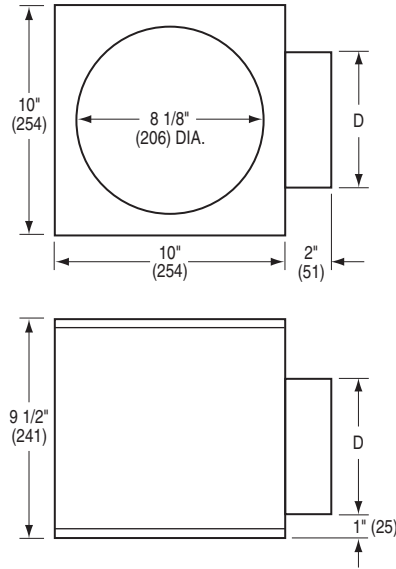
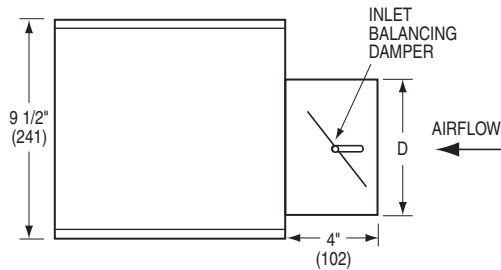




**FLOOR BOOT (FOR ROUND "SWIRL" DIFFUSERS)
UNDERFLOOR AIR DISTRIBUTION SYSTEMS
DUCTED CONNECTION
MODEL: NFB-D**



NFB-D WITH OPTIONAL ID INLET DAMPER



Dimensional Data

Inlet Size	D (Diameter)
6	5 7/8 (149)
8	7 7/8 (200)

DESCRIPTION:

1. The Nailor Floor Boot is specifically designed for mounting on the underside of a floor tile under a Nailor (A)NFD Series Round Floor "Swirl" Diffuser. A top plate with a 8 1/8" (210) dia. discharge hole outlet helps ensure proper sealing to the diffuser even when structural depressions (waffle design) exist on the bottom surface of the floor tile.
2. The NFB-D enables a round flexible duct connection to a fan powered terminal unit in order to provide variable air volume or constant volume cooling and / or heating.
3. Material: 22 ga. (0.85) corrosion resistant steel. Mechanically sealed.

4. The NFB-D is supplied with four L-shaped mounting brackets, shipped loose for field attachment. This enables the NFB-D to be installed in any desired position and the brackets to be suitably positioned for attachment to the lower face areas of a "waffle type" floor tile.
5. Nailor (A)NFD Round "Swirl" Diffusers are available with a PFG Press Fit Gasket option which further assists air leakage control.

OPTIONS:

- ID Inlet balancing damper (Duro Dyne JDS snap-in type).

SCHEDULE TYPE	Dimensions are in inches (mm).			
PROJECT				
ENGINEER	DATE	B SERIES	SUPERSEDES	DRAWING NO.
CONTRACTOR	6 - 29 - 09	NFB	4 - 30 - 08	NFB-1