



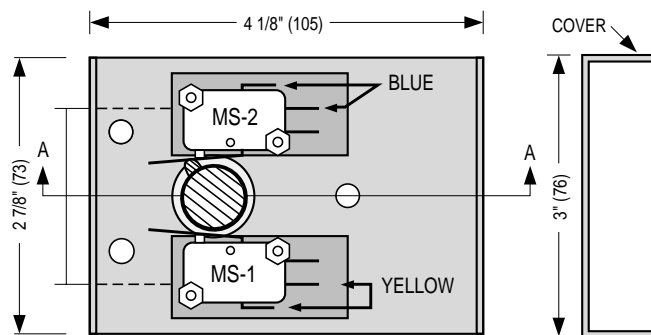
POSITION INDICATOR PACKAGE

FOR COMBINATION FIRE / SMOKE, SMOKE AND CONTROL DAMPERS

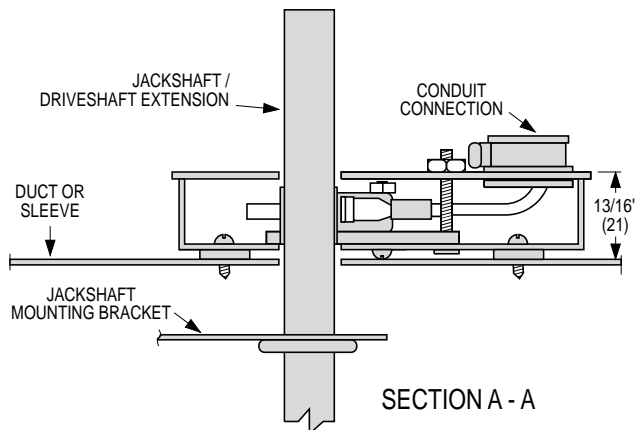
MODEL: MLS-300. For use with GGD221/121 (electric) and 331-2961 / 3060 (pneumatic) actuators

APPLICATION:

- The MLS-300 Position Indicator Package operates as a function of the damper blade position and provides the ability to remotely indicate damper blade position.
- The MLS-300 incorporates two SPDT switches and provides a positive open or closed signal when used in conjunction with remote indicator lights. MLS-300's are used in active smoke control management systems to positively indicate the status of all combination fire/smoke and smoke dampers in the building.
- The MLS-300 is available only as a factory installed option on combination fire/smoke and smoke dampers.
- The MLS-300 may also be used to provide a stop/start circuit for remote fans or to signal alarms.



EXTERNAL RIGHT HAND MOUNTING: FRONT VIEW (LESS COVER)



Position Indicator Microswitch Data:

Switch Type: Single Pole double throw (2)
 15 Amps, 1/3 HP, 125, 250 Vac or 24 Vdc.
 1/2 Amp, 125 Vdc. 1/4 Amp, 250 Vdc.

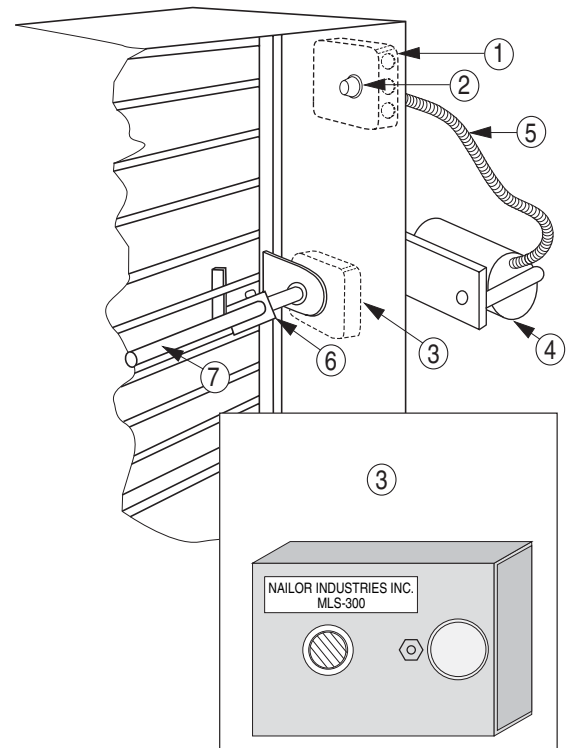
Standard Mounting:

MS1 is damper open signal.

MS2 is damper closed signal.

Non-Standard Mounting:

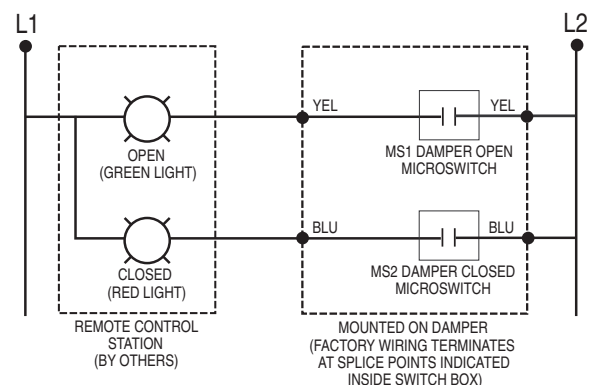
Important: Installer must double check continuity of MS1 and MS2 before wiring to determine which switch signals the damper's open or closed position.



Typical Combination Fire / Smoke Damper Installation With UL Listed Actuator

Description:

1. Electrical Junction Box (and EP switch with pneumatic actuator[s])
2. ERL 165, 212, 250, 350°F Electric Resettable Link (Heat Sensor)
3. Position indicator package
4. Actuator (pneumatic illustrated).
5. Silicone Tubing or Flexible Conduit
6. Over-Center Knee Lock
7. Jackshaft



Dimensions are in inches (mm).

SCHEDULE TYPE:				
PROJECT:				
ENGINEER:		DATE	B SERIES	SUPERSEDES
CONTRACTOR:		7 - 20 - 07	FD - ACC	12 - 4 - 02
				DRAWING NO.
				MLS-300-2