

(Model 4070-SM shown in example).

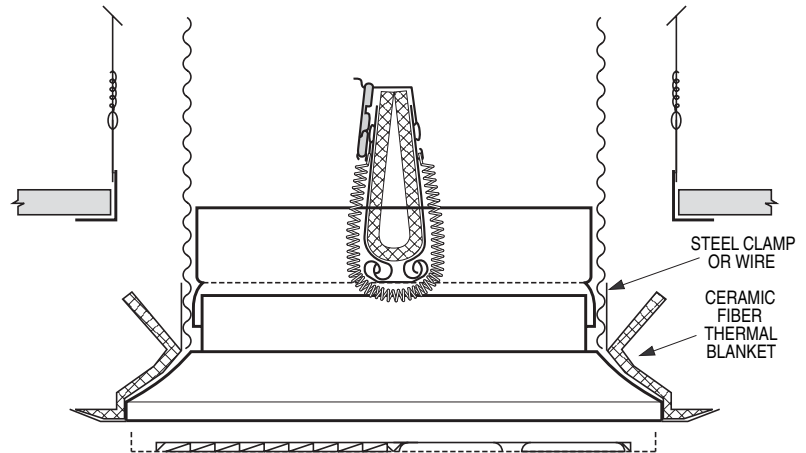
STEP 1:

Cut hole in ceiling membrane 11 1/4" x 11 1/4" (286 x 286). Insert sub-frame through hole and using four tabs provided, hang sub-frame to structural members of the floor or roof above using #12 SWG galvanized steel hanger wire.



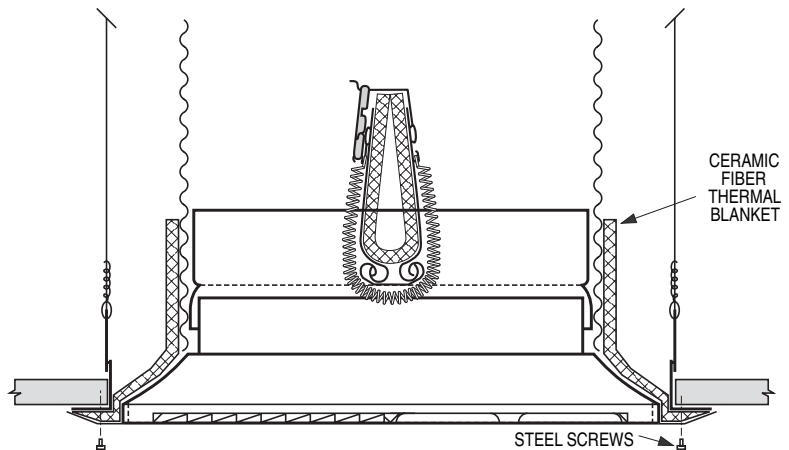
STEP 2:

With radiation damper in an open position and thermal blanket installed over back face of the diffuser, fold back neck tabs of thermal blanket and install flexible duct to neck of diffuser using steel clamps or wire. Do not use bolts, screws or rivets. Push neck flaps of thermal blanket back up neck of diffuser and secure in place with steel wire.



STEP 3:

Carefully push flexible air duct back into ceiling cavity making sure that it does not distort and foul radiation damper blades. The thermal blanket should be sandwiched between the sub-frame and the flange of the diffuser as shown. Install screws provided through diffuser and sub-frame holes to complete the assembly.



1. Follow carefully steps 1, 2 and 3.
2. Before installing, open damper blades and install link between spring loaded wire clips. Do not bend or deform clips after assembly. If dampers are provided with link tabs instead of wire clips, install link and bend tabs to secure link in position.
3. The flexible duct shall be Class 0 or Class 1 bearing the UL Classification marking. See the UL "Gas and Oil Equipment Directory" or see ULC "List of Equipment and Materials". The maximum length of the duct shall not exceed 14'-0" (4267) in length. No portion of the connector shall rest on the back surface of the ceiling panels or tiles and a minimum of 4" (102) clearance must be maintained. Where the duct must be supported, use steel straps and 12 SWG steel hanger wires.
4. Maximum neck size of Series 4010-SM, 4410-SM or 4070-SM Ceiling Air Diffusers is 8" (203) diameter.
5. Caution should be observed so that the flexible duct does not interfere with the operation of the Integral Classified Ceiling Damper of the Ceiling Air Diffuser Assembly.

Dimensions are in inches (mm).



Houston, Texas
Tel: 281-590-1172
Fax: 281-590-3086

Las Vegas, Nevada
Tel: 702-648-5400
Fax: 702-638-0400

Toronto, Canada
Tel: 416-744-3300
Fax: 416-744-3360

Calgary, Canada
Tel: 403-279-8619
Fax: 403-279-5035