

SAFETY INFORMATION

Regarding this manual:

- This manual should be turned over to the end user.
- Before use, read this manual thoroughly to comprehend its contents.
- The contents of this manual may be changed without prior notice.
- All rights reserved. No part of this manual may be reproduced in any form without Nailor's written permission.
- Nailor makes no warranty of any kind with regard to this material, including, but not limited to, implied warranties of merchantability and suitability for a particular purpose.
- All reasonable effort has been made to ensure the accuracy of the contents of this manual. However, if any errors are found, please inform Nailor.
- Nailor assumes no responsibilities for this product except as stated in the warranty. If the customer or any third party is harmed by the use of this product, Nailor assumes no responsibility for any such harm owing to any defects in the product which were not predictable, or for any indirect damages.

Safety Precautions:

The following general safety precautions must be observed during all phases of installation, operation, service, and repair of this product. Failure to comply with these precautions or with specific warnings given elsewhere in this manual violates safety standards of design, manufacture, and intended use of the product. Nailor Industries Inc. assumes no liability for the customer's failure to comply with these requirements. If this product is used in a manner not specified in this manual, the protection provided by this product may be impaired.

The following messages are used in this manual.

Caution:

Messages identified as "Caution" contain information regarding potential damage to the product or other ancillary products.

Important Note:

Messages identified as "Important Note" contain information critical to the proper operation of the product.

TABLE OF CONTENTS

SECTION 1.0 GENERAL INFORMATION	3
1.1 Purpose of this Guide	3
1.2 Typical Thermal Airflow Measurement System Installation	3
1.3 Standard Features and Specifications	4, 5
1.4 Checking that You Received Everything	6
1.5 Working Environment	6
1.6 Serial and Sales Order Number	6
SECTION 2.0 INSTALLATION	6
2.1 Site Selection	6
2.2 Transmitter Dimensions	7
2.3 Transmitter Installation	8
2.3.1 ELECTRA-flo G5 Power / Signal Connections	9
2.3.2 ELECTRA-flo G5 Analog Outputs & Serial Communication	9
SECTION 3.0 OPERATION	10
3.1 Start-up / Operation	10, 11
3.2 User Interface / Device Configuration	11
3.3 Main Menu	13 - 16
3.4 Network Configuration	17 - 27
3.5 Field Characterization	28
3.6 Service Menu	29 - 30
SECTION 4.0 MAINTENANCE, INSPECTIONS, TROUBLESHOOTING	31
4.1 Maintenance / Inspections	31
4.2 Troubleshooting	31

SECTION 1.0: General Information

Thank you for purchasing the Airflow Measuring Control Damper with the factory provided Airflow G5 Transmitter. As our valued customer, Nailor's commitment to you is to provide fast, reliable service and assistance while continuing to offer you the most accurate and reliable products to meet your airflow measurement and control needs.

1.1 Purpose of this Guide

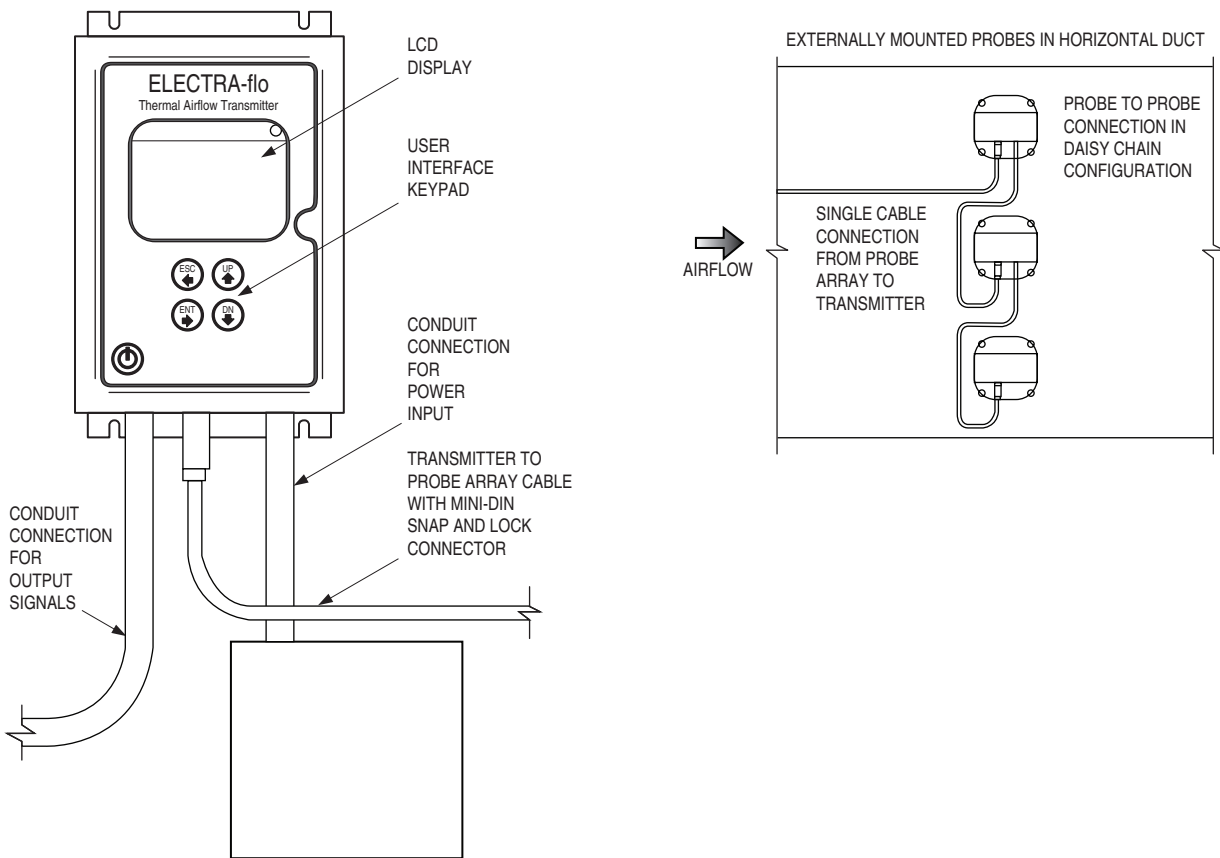
This manual provides information regarding the installation, operation and maintenance of the AMD Unit and the provided Airflow G5 Transmitter. This is NOT, nor is it intended to be an electrical or HVAC trade manual. This manual is the basic reference tool for the ELECTRA-flo G5 Transmitter, including its power connection and associated outputs. Refer to supplemental documents for additional information.

1.2 Typical Thermal Dispersion Airflow Measurement System Installation

Nailor's Airflow Measuring Damper accurately measures the average velocity of flowing air by means of thermal dispersion sensors located in airflow ducts. Temperature is also measured via these sensors. The Airflow G5 Transmitter can average data from a maximum of 32 individual flow sensors, and is designed to measure airflow in a single duct or fan inlet.

Analog outputs and an RS485 interface for BACnet® or MODBUS® convey data from the Airflow G5 Transmitter to local controllers or a BMS.

Physical installation details for the Airflow Measuring Dampers can be found in the Airflow Measuring Damper Installation Instructions (available at nailor.com).



Typical Airflow G5 Transmitter and Probe Installation

1.3 Standard Features and Specifications

ELECTRA-flow G5 Transmitter		
Performance	System Configuration	Single or dual channel operation Supports up to 32 individual thermal dispersion airflow sensors Provides airflow velocity, flow and temperature Supports multiple airflow measurement system types Provides three (3) field characterization methods
Operating Conditions	Ambient Temperature	-20°F to 180°F (-29°C to 82°C) (Storage), -20°F to 140°F (-29°C to 60°C) (Operating)
	Humidity	0 to 99% RH, non-condensing
Input Power	24 VAC	20 - 28 VAC, 16 - 90 VA, varies based on # of sensors
	24 VDC	20 - 28 VDC, 16 - 50 W, varies based on # of sensors
I/O Signals	Two (2) analog outputs, selectable based on configuration	
Electronic Enclosures	Available Options	<ul style="list-style-type: none"> Aluminum, NEMA 1 Stainless steel, NEMA 4X without viewing window Aluminum, NEMA 1 with conduit connection box Fiberglass, NEMA 4X with viewing window
	Display	2.75" x 2" TFT color LCD
Programming	Menu driven user interface via four (4) push buttons	
Electrical Connections	Power	Removable terminal block for use with 14 to 18 AWG wire
	Communications	Removable terminal block for use with 14 to 22 AWG wire
	I/O	Removable terminal block for use with 14 to 22 AWG wire
Process Connections	Available Options	<ul style="list-style-type: none"> NEMA 1 enclosure, two (2) mini-DIN connectors XMTR to probes and two (2) 1/2" conduit openings NEMA 4X enclosure, two (2) liquid tight strain relief connectors and two (2) 1/2" conduit openings
Network Conn.	RS485, BACnet® MS/TP or MODBUS® RTU	
Approvals	UL	60730
	BTL	Certified to BACnet standard ISO 16484-5 rev. 1.12
	FCC	Meets part 15 Subpart B, Class A device requirements
ELECTRA-flo/S5 Thermal Dispersion Probe Array		
Performance	Sensor Accuracy	Individual sensor accuracy: ±2% of reading from 0 - 5000 FPM
	System Accuracy	Complete system accuracy: ±3% of reading over published velocity range
	Velocity Range	Ducted mounted installations: 0 - 5000 FPM Station mounted probe arrays: 0 - 5000 FPM (0 - 4000 FPM with straightening cell) Fan inlet installations: 0 - 10,000 FPM
Sensor Design	Precision matched, hermetically sealed thermistors with laser trimmed resistive heating element Dedicated 16 bit A/D processing of each sensor signal Sensor node consists of two (2) thermistors mounted in a dedicated flow conditioning aperture	
	Temperature Accuracy	±0.1°F (±0.5°C) over operating range of -20°F to 140°F (-29°C to 60°C)
Sensor Capacity	Transmitter	Maximum of 32 sensors per transmitter, shared between both channels
	Probe	Maximum of 8 sensors per probe

1.3 Standard Features and Specifications - continued*

ELECTRA-flo/S5 Thermal Dispersion Probe Array - continued		
Sensor Density	Duct & Station Mounted	Three (3) sensor density levels specifiable based on configuration
	Fan Inlet	Single or dual sensor configuration per inlet available
Probe Materials of Construction	Available Options	<ul style="list-style-type: none"> • 6063 anodized aluminum, 1 1/8" diameter with NEMA 1 enclosure • 6063 anodized aluminum, 1 1/8" diameter with NEMA 4 enclosure and IP67 connectors • 6063 anodized aluminum, 1 1/8" diameter with NEMA 4 enclosure and 1/2" (13) conduit connections • 300 series stainless steel, 1 1/8" diameter with NEMA 4X enclosure and 1/2" (13) conduit connections
Operating Conditions	Fluid Temperature	-20°F to 140°F (-29°C to 60°C)
	Humidity	0 to 99% RH, non-condensing
Wiring Connections	Available Options	<ul style="list-style-type: none"> • Mini-DIN, NEMA 1 only • Watertight - IP67 • Conduit opening with terminal blocks
Duct Mounted Probe Arrays	Mounting Options	<ul style="list-style-type: none"> • Rectangular duct, external or internally mounted • Rectangular duct, standoff mount • Circular duct, external or internally mounted
Options		<ul style="list-style-type: none"> • Aluminum honeycomb airflow straightening cell

NOTE:¹ Field characterization required to achieve ±3% system accuracy.

* SPECIFICATIONS subject to change without notice.

1.4 Checking That You Received Everything

Carefully open the Airflow Measuring Damper shipping container(s) and remove all equipment. Inspect equipment for any damage (if damaged, contact Nailor and your freight company). Verify that the following items have been shipped:

- (1) Control Damper in Sleeve with airflow measuring probes
- (1) Airflow G5 Transmitter
- (1) Installation Instructions

Verify that the configuration recorded on the factory set-up sheet is correct for your application.

Please contact the Nailor Application Engineering Department if you have questions.

1.5 Working Environment

Airflow G5 transmitter enclosures are designed for use in indoor installations that are free of condensing moisture. NEMA 4X enclosures with display windows are designed for use in wet indoor installations. Do not expose these transmitters to direct sunlight, temperature extremes or excessive vibration.

The operating ambient air temperature range for both enclosures is -20°F to 140°F (-29°C to 60°C).

Airflow G5 transmitter enclosures without windows are designed for indoor or outdoor use. Do not expose these transmitters to excessive vibration. Whenever possible, avoid exposure to direct sunlight. The operating ambient air temperature range is -20°F to 140°F (-29°C to 60°C).

1.6 Serial and Sales Order Number

The serial number of your Airflow G5 transmitter is located outside of the enclosure. The serial number and the sales order number are a unique identifier for your product. Please have them available when contacting Nailor for assistance regarding your product.

SECTION 2.0 INSTALLATION

The Nailor Airflow Measuring Control Damper should be installed by experienced HVAC technicians and others with related knowledge and experience with airflow systems. The installer should use good trade practices and must adhere to all state and local building codes.

Each unit is individually calibrated, configured and programmed using customer specific application data.

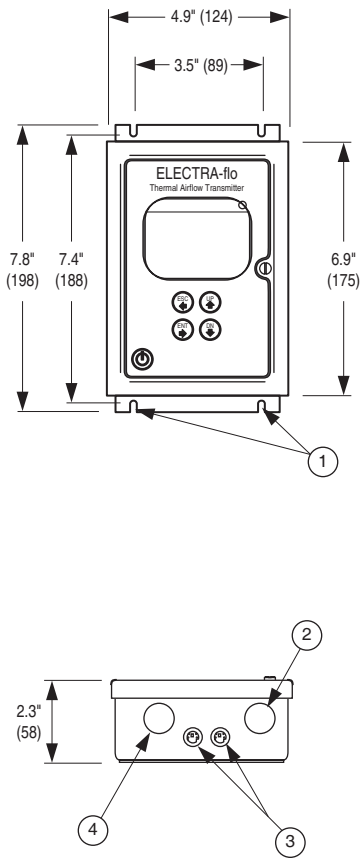
Configuration and programming parameters are recorded on the Factory Set-Up Information Sheet provided with the unit. Review this information and verify that the set-up is correct for your application. If any problems or discrepancies are detected, contact Nailor's Application Engineering Department prior to proceeding.

2.1 Site Selection

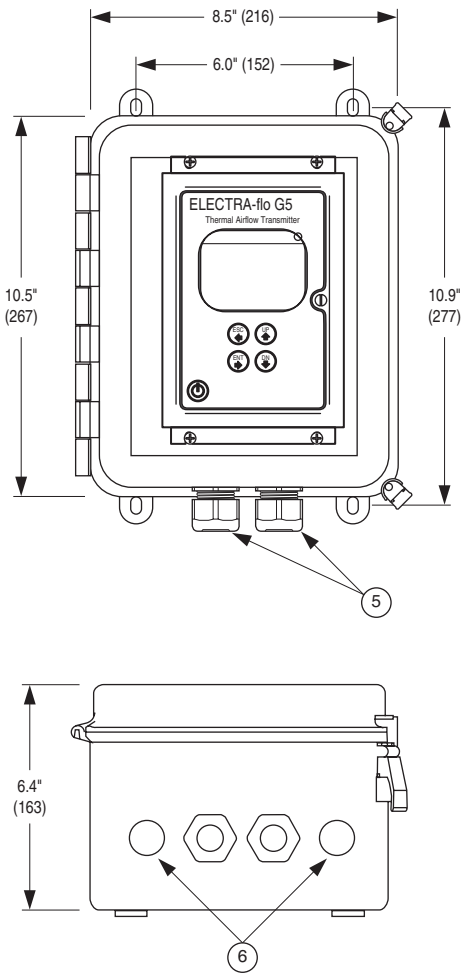
Careful attention to the site selection for the system components will help the installers with the initial installation, reduce start-up problems, and make future maintenance easier. For example, do not install the unit where it will be difficult for personnel to perform periodic maintenance. When selecting a site for mounting the system components, consider the criteria under Section 1.5: WORKING ENVIRONMENT.

2.2 Transmitter Dimension

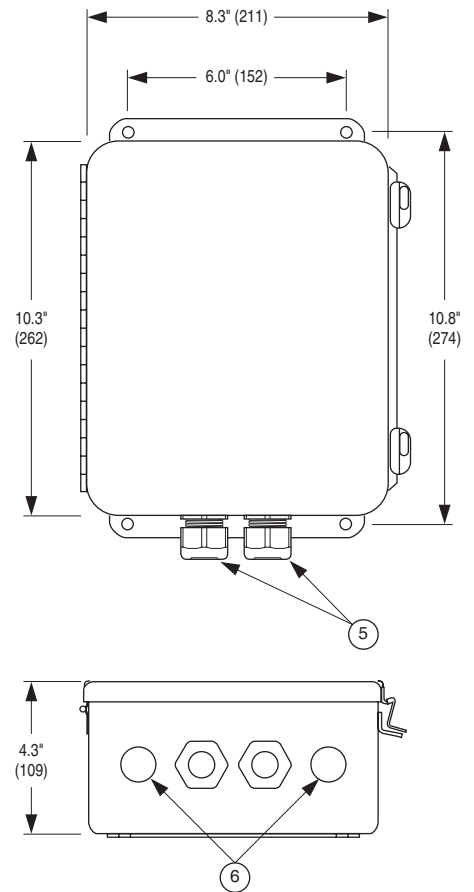
NEMA 1 ENCLOSURE



NEMA 4X - FIBERGLASS ENCLOSURE



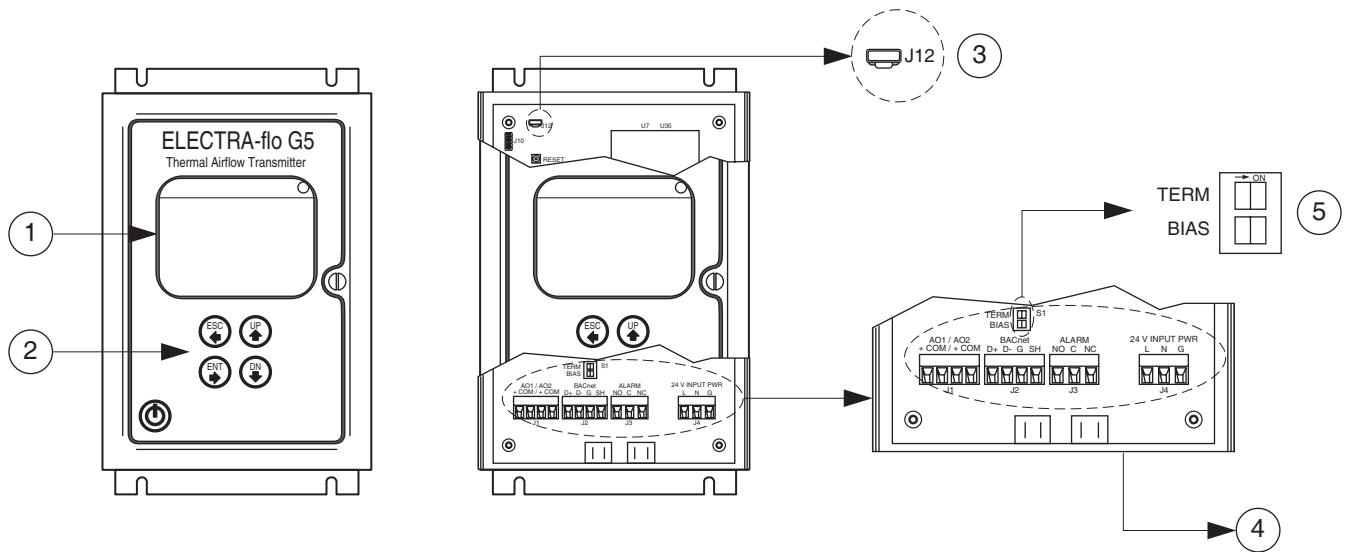
NEMA 4X - STAINLESS STEEL ENCLOSURE



1. Two (2) 0.188 mounting slots.
2. 1/2" conduit field power opening for connection.
3. Two (2) Mini-DIN connectors for probe.

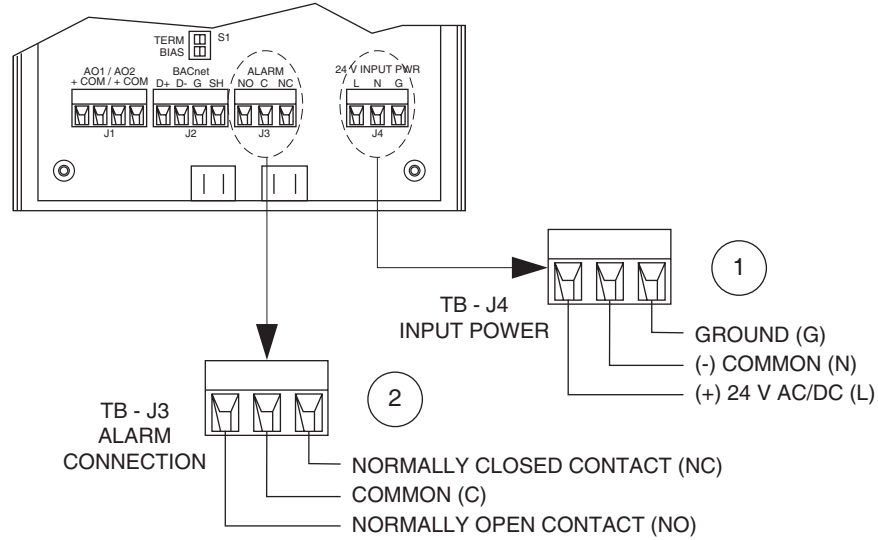
4. 1/2" conduit analog output/network opening for connection.
5. Two (2) 1/2" NPT liquid tight cord grips.
6. Two (2) 1/2" conduit openings with knockouts.

2.3 Transmitter Wiring Connections



1. Graphical LCD for user set-up, commissioning and real-time data display.
2. User programming and display keys.
3. Micro USB connection location. This can only be used with Air Monitor firmware update tools. Contact Air Monitor service for assistance.
4. I/O, serial communication, alarm and power input terminal block location. Refer to section 2.3.2 for additional information.
5. Termination resistor / bias switch location. Refer to section 3.4 for additional information.

2.3.1 G5 Power/Signal Connections

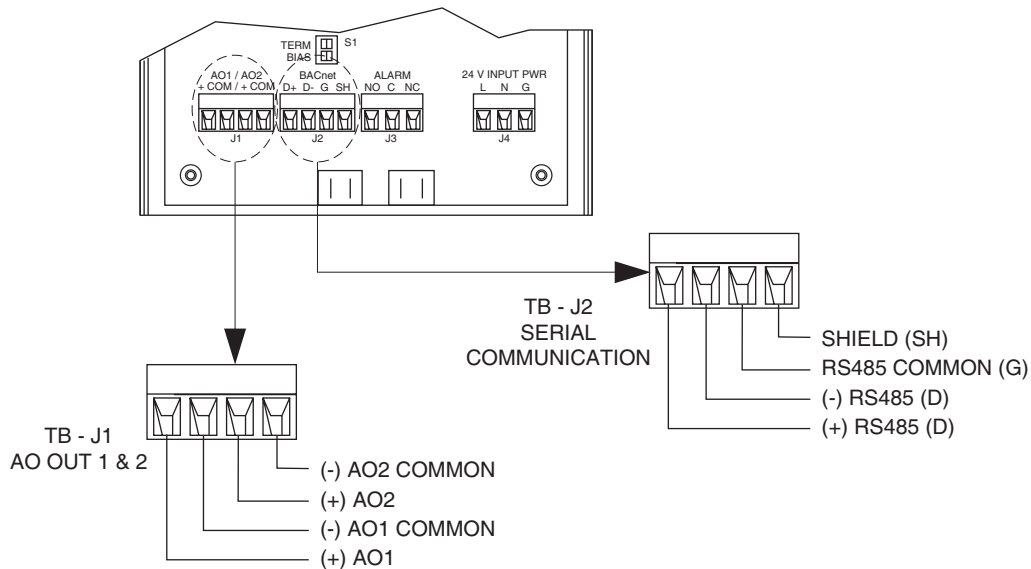


1. Input power requirements:

- 24 VAC (20 - 28 VAC), 16 - 90 VA, varies based on number of sensors.
- 24 VDC (20 - 28 VDC), 16 - 50 W, varies based on number of sensors.

2. Alarm can be set for either flow or temperature with upper and lower limits. Refer to page 16 for more information.

2.3.2 G5 Analog Outputs and Serial Communication



IMPORTANT NOTE

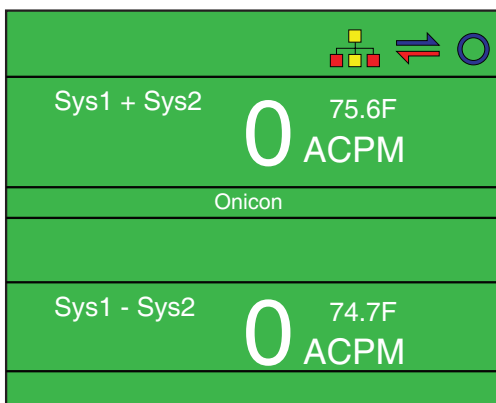
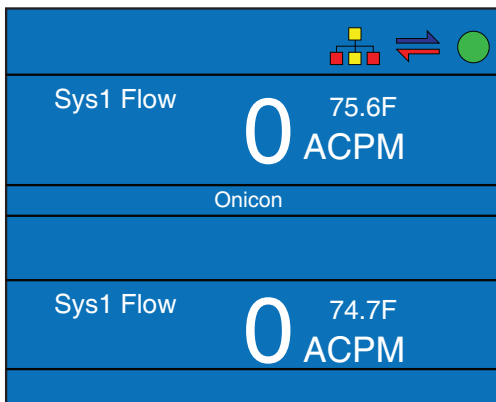
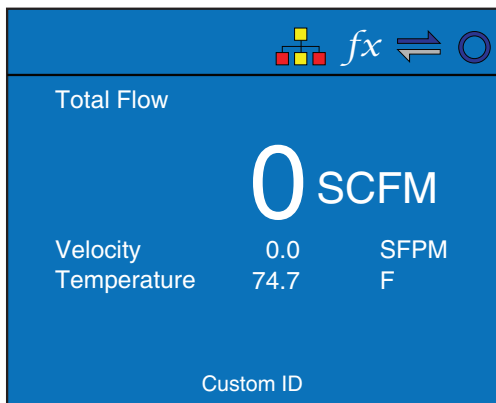
Two (2) analog outputs (4 - 20 mA, 0 - 10 VDC or 0 - 5 VDC) are available based on configuration. Refer to page 15 for more information.

Section 3.0: Installation:

3.1 Start-Up / Operation

TOTAL SYSTEM SCAN							
1	2	3	4	5	6	7	8
9	10	11	12	13	14	15	16
17	18	19	20	21	22	23	24
25	26	27	28	29	30	31	32

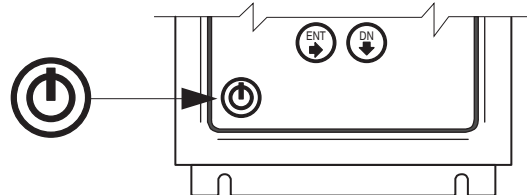
EXPECTED EXPECTED
 MISSING DISPLAYED
 ESC - LEAVE



After power and signal wiring has been verified in accordance with Section 2.3, activate the 24 VAC / VDC power source.

Start-up

Press the power button located in the lower left corner of the display. The display will show a bar graph as the program loads. Once the program is loaded, the transmitter will scan for sensors and display their status. The normal operating screen will then be displayed.



Default Display Screen

The display screen provides three lines of process data. The data shown is field configurable. The default configuration indicates flow, velocity and temperature. A field configurable Custom ID is also shown at the bottom of the screen.

Default Dual Channel Display Screens

The true dual channel version of the Airflow G5 transmitter has two display screens for process data. Sys1 Flow and Sys2 Flow are provided on the first screen. Sys1 Flow + Sys2 Flow and Sys1 Flow - Sys2 Flow are provided on the second screen. The Up arrow is used to toggle between the screens. The field configurable Custom ID is also shown.

3.1 Start-Up / Operation - continued

Status Icons

The following icons will be displayed at the top of the normal operating screen whenever the function is active. Refer to the alert code table on page 30 for additional status codes.



Transmitter communicating normally on the BACnet or MODBUS



Network



Send/Receive arrows flashing indicates the sensor(s) and transmitter are



Communicating normally

3.2 User Interface / Device Configuration

The Airflow G5 transmitter is fully field configurable. The transmitter is configured using the display and 4-button membrane keypad. Individual key functions are described below.



ENT: Enters menu item from main or service menu; moves cursor to next item below when in sub-menu



ESC: Exits current page or sub-menu item



UP Arrow: Toggles between display pages on dual channel meters. In the menu mode, it moves cursor "up" through main and service menus and changes character in sub-menu items.



DOWN Arrow: Moves cursor "down" through main and service menu and changes character in sub-menu items.

Device configuration options are provided on individual display pages shown in the main menu table below. A separate service menu is also provided for diagnostic and product information. The true dual channel main, service and network configuration menus are shown on the next page in separate tables.

Configuration Menus

Main Menu Selection	Description
Density Compensation	Select density compensation type for flow output (Actual or Standard CFM)
Select System of Units	Select system of units (US or SI)
Select Units of Measure	Select velocity and flow units
Flow Configuration	Select and configure flow and application parameter (ducted or fan inlet, duct size, fan inlet dia., etc.)
Display Configuration	Set brightness and inactivity timeout interval
Analog Output Configuration	Configure analog output type, value and averaging filter
Display Averaging Filter	Configure display averaging filter
Zero Lockdown	Adjust zero lockdown (below a FPM set point, drives display and output to zero)
Alarm/Alert Configuration	Configure alarm type, upper and lower limits
Network Configuration	Configure BACnet MS/TP or MODBUS RTU network connection
Field Characterization	For information on field characterization, please see page 28.

Service Menu Selection	Description
Password Configuration	Enable/disable and change password
Total System Scan	Displays sensor enabled/disabled status
Sensor Enable/Disable	Enable or disable system sensors
Sensor Data Scan	Displays individual sensor data
Sensor Alert Scan	Displays alert codes for each sensor
Custom ID	Configure ID (tag) of unit (also device name displayed in BACnet)
Restore Factory Setting	Restores display settings to original factory setup
Product Information	Displays product information (Serial number, Work Order #, etc.)
Configure Probes vs. Nodes	Configure number of probes and sensors per probe

Main Menus System 1 and System 2 (Dual Channel Version Only)

Main Menu Selection	Description
Density Compensation	Select density compensation type for flow output (Actual or Standard CFM)
Select System of Units	Select system of units (US or SI)
Select Units of Measure	Select velocity and flow units
Flow Configuration	Select and configure flow and application parameter (ducted or fan inlet, duct size, fan inlet dia., etc.)
Display Configuration	Set brightness and inactivity timeout interval
Analog Output Configuration	Configure analog output type, value and averaging filter
Display Averaging Filter	Configure display averaging filter
Zero Lockdown	Adjust zero lockdown (below a FPM set point, drives display and output to zero)
Alarm/Alert Configuration	Configure alarm type, upper and lower limits
Field Characterization	For information on field characterization, please see page 28.

Service Menu System 1 and System 2 (Dual Channel Version Only)

Service Menu Selection	Description
Password Configuration	Enable/disable and change password
Total System Scan	Displays sensor enabled/disabled status
Sensor Enable/Disable	Enable or disable system sensors
Sensor Data Scan	Displays individual sensor data
Sensor Alert Scan	Displays alert codes for each sensor
Custom ID	Configure ID (tag) of unit (also device name displayed in BACnet)
Restore Factory Setting	Restores display settings to original factory setup
Product Information	Displays product information (Serial number, Work Order #, etc.)
Configure Probes vs. Nodes	Configure number of probes and sensors per probe

Network Configuration	Description
Network Configuration	Configure BACnet MS/TP or MODBUS RTU Network Connection

3.3 MAIN MENU

DENSITY COMPENSATION

CONDITIONS: STANDARD ▼

SITE ELEVATION: 0

ENT - ACCEPT ESC - DEL/LEAVE UP/DN - CHANGE

Density Compensation - Density compensation can be selected to be actual flow or flow corrected to standard conditions. The default factory setting is for actual conditions. The Airflow G5 also allows for inputting the site elevation, which will add density compensation for average atmospheric pressure based upon elevation above sea level.

SYSTEM OF UNITS

SYSTEM: US ▼

ENT - ACCEPT ESC - DEL/LEAVE UP/DN - CHANGE

Select System of Units - US or SI units can be selected. US units will display in CFM and °F. SI units will display in L/s and °C.

IMPORTANT NOTE

When changing between US and SI units, the flow configuration information will need to be converted and updated. This is not done by the transmitter. The user must convert and input.

UNITS OF MEASURE

TEMPERATURE: DEG F

VELOCITY: SFPM ▼

FLOW: SCFM ▼

ENT - ACCEPT ESC - DEL/LEAVE UP/DN - CHANGE

Select Units of Measure - US and SI velocity and flow units can be selected.

3.3 MAIN MENU continued

FLOW CONFIGURATION

MEASUREMENT TYPE: ▼

SHAPE: ▼

HEIGHT (IN.):

WIDTH (IN.):

AREA (FT²):

MASS FLOW (CFM):

ENT - ACCEPT ESC - LEAVE UP/DN - CHANGE

FLOW CONFIGURATION

MEASUREMENT TYPE: ▼

FAN INLETS:

SHAPE: ▼

DIAMETER:

AREA (FT²):

MASS FLOW (CFM):

ENT - ACCEPT ESC - LEAVE UP/DN - CHANGE

DISPLAY CONFIGURATION

LINE 1: ▼

LINE 1: ▼

LINE 1: ▼

LINE 1: ▼

BRIGHTNESS: ▼

INACTIVITY TIMEOUT: ▼

ENT - ACCEPT ESC - DEL/LEAVE UP/DN - CHANGE

Flow Configuration

The flow configuration menu provides access to modify the application specific parameters.

IMPORTANT NOTE

All transmitters are factory configured for the intended application. Changes to the factory configuration should not be required. A Factory Set-Up Sheet is provided with each transmitter and provides the details for all factory configured parameters.

Measurement Type

Indicates whether the probes are installed in a ducted or a fan inlet application. Ducted applications can be rectangular, circular or flat oval. For fan inlet applications, the transmitter can be used with single fan inlets, double fan inlets or multiple inlet (same size) fan walls. One transmitter accepts up to 32 sensors; typically, there are two sensors per fan inlet, optional construction uses one sensor per inlet (for fan walls).

Flow Configuration - Ducted

Select the proper duct shape (rectangular, flat oval or circular). Enter the duct dimensions (inches or millimeters). Area (cross-sectional duct area) is automatically calculated. Enter the Max Flow (maximum airflow) in CFM or L/s.

Flow Configuration - Fan Inlet

Select the number of fan inlets being measured (max = 32). Shape is automatically set to Circular. Enter the diameter of the fan inlet(s). Area (cross-sectional duct area) is automatically calculated. Enter the Max Flow (maximum airflow) in CFM or L/s.

Display Configuration

This screen allows the user to set parameters on various lines of the display.

There are four display lines on the Airflow G5.

Line 1 - Flow (typical), Velocity or Temperature

Line 2 - Velocity, Flow or None

Line 3 - Temperature, Flow or None

Line 4 - Custom ID or None. This field is settable over BACnet or through the Service Menu. It is typically used to describe the transmitter location in the building.

Brightness

Allows the user to set the brightness of the display in real time.

Inactivity Timeout - The time period which holds the display in menu mode. When the timer expires, the display is returned to the main display screen showing the process values.

IMPORTANT NOTE

The optional true dual channel version of the Airflow G5 only displays flow.

3.3 MAIN MENU continued

ANALOG OUTPUT CONFIGURATION

OUTPUT TYPE: 4-20 mA ▼

OUTPUT 1: FLOW ▼

OUTPUT 2: TEMPERATURE ▼

FILTER: 4 ▼

ENT - ACCEPT ESC - LEAVE UP/DN - CHANGE

Analog Output Configuration -

The Airflow G5 transmitter is equipped with dual analog outputs. The Analog Output Configuration menu configures the analog output type, parameter and filter.

Output Type: 4 - 20 mA DC, 0 - 5 VDC or 0 - 10 VDC

Output 1 and 2: Flow, Velocity or Temperature

Optional True Dual Channel Version

Output 1: Flow, Temperature or SYS1 Flow Add

Output 2: Flow, Temperature or SYS2 Flow Subt

Airflow: Available on connector J1, terminals AO1+ and AO1- or AO2+ and AO2-. The full scale output is equal to Max Flow as programmed into the ELECTRA-flo G5 transmitter on the Flow Configuration menu.

Temperature: Available on connector J1, terminals AO1+ and AO1- or AO2+ and AO2-. The temperature analog output has a fixed scale of -40°F to 140°F (-40°C to 60°C).

The filter has a minimum setting of 0 to a maximum setting of 10. To disable the filter, select Off.

IMPORTANT NOTE: Optional True Dual Channel Version

- ***Sys1 and Sys2 full scale flow values are set in the Sys1 and Sys2 flow configuration menus***
- ***Sys1 Flow Add full scale = Sys1 max flow + Sys2 max flow***
- ***Sys2 Flow Subt full scale = Sys1 flow max***

3.3 MAIN MENU continued

DISPLAY AVERAGING FILTER

FILTER: ▼

ENT - ACCEPT ESC - DEL/LEAVE UP/DN - CHANGE

ZERO LOCKDOWN

LOCKDOWN: ▼

VELOCITY (FPM):

ENT - ACCEPT ESC - LEAVE UP/DN - CHANGE

ALARM/ALERT CONFIGURATION

TYPE: ▼

UPPER LIMIT: 865

LOWER LIMIT: 805

ENABLE REG. ALERTS: ▼

ENABLE GLOBAL ALERTS: ▼

ENT - ACCEPT ESC - LEAVE UP/DN - CHANGE

Display Averaging Filter -

The Display Averaging Filter filters the data shown on the display. It affects all elements of the display. The filter has 1 - 10 settings; 1 is the lightest filter, and 10 represents the heaviest filter. It also has an Off setting.

Zero Lockdown

Zero Lockdown will drive the displayed flow and velocity, as well as the associated outputs, to zero when the velocity is below the set point. As very low air velocities tend to be noisy and unstable, it may be best for control purposes to raise the zero lockdown velocity to an appropriate threshold in which the velocity is steady and reliable.

Alarm/Alarm Configuration

The Alarm/Alert Configuration menu provides access to select and configure the transmitter alarm and alerts. Alarm type can be either flow or temperature with Upper and Lower limits. The transmitter alarm controls an on-board relay (see the wiring diagram for Normally Open and Normally Closed configurations). Alerts are messages possibly indicating issues with sensors or the transmitter

Alarm/Alarm Operation: If the process value (Type) exceeds the Upper or Lower Limit, the relay will change state from the default of NO or NC and the Type will change to red. When the process value recovers to be within the Upper and Lower Limits, the relay will return to the default state and the Type will return to black. Limit Units are shown in parentheses. These units are controlled by the System of Units and the Units of Measure. If the units are US and the flow is CFH, CFH will be the units used in Limits.

Alert Operation: Enable Reg. Alerts will turn ON / OFF
Enable Global Alerts will turn ON / OFF

3.4 NETWORK CONFIGURATION

NETWORK CONFIGURATION

TYPE: ▼

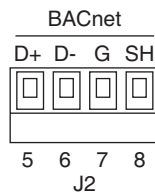
BAUD RATE: ▼

ADDRESS:

ID:

MAX. MASTERS:

ENT - ACCEPT ESC - LEAVE UP/DN - CHANGE



Network Configuration -

The Airflow G5 is provided with BACnet MS/TP and Modbus RTU as serial communications protocol options. BACnet is the default setting. The field configurable serial communications interface is described on the following pages. Refer to section 2.3 for detailed information on terminal locations and wiring connections.

Nailor recommends that 3-wire network cables with a separate shield be used for communications. The interface can be operated as a 2-wire network with no common, but this configuration is more susceptible to noise.

Type – Select BACnet MS/TP or Modbus RTU. Modbus network configuration information begins on page 21.

BACnet MS/TP

Select appropriate Baud Rate, Address, ID and Max Masters. BACnet MS/TP serial interface connections are made at J2 terminals labeled D+, D-, G and SH.

The positive RS485 connection is made to D+, the negative connection is made to D-. The 3-wire common connection is made to G and the shield drain is connected to SH.

CAUTION

Do not connect shield drains to the “G” terminal.

Transceiver: 3-wire, half duplex (1/3 unit load)

Recommended maximum units per segment: 32

Baud rate(s): 9600, 19200, 38400, 57600, 115200 (default 38400) unless specified by end user

MS/TP MAC Address range: 1 – 255

BACnet device instance number range: 0 – 4,194,303

Max master: 1 – 127

End of line termination: Jumper selectable 120 Ohms or none. Only use on end of line.

Biasing: Jumper selectable 549 Ohms or none. Only one device on the network should provide biasing.

Flow control: none

The Custom ID menu page provides the Device object description property over BACnet and on the display. This property is writable over the network.

BACnet Object Types

BACnet Object Type and number of Objects implemented:

Device: 1

Analog Input - Reports the average temperature or average flow. Also reports

PROTOCOL IMPLEMENTATION STATEMENT

BACnet Protocol Revision: 12

Device Profile (Annex L): BACnet Application Specific Controller (B-ASC)

MS/TP master (Clause 9), baud rate(s): 9600, 19200, 38400, 56700, 76800, 115200

Device Address Binding: No

BBMD Support Registration By Foreign Devices: No

Character Set Supported: ANSI X3.4

BACnet Interoperability Building Blocks Supported (Annex K):

Data Sharing – Read Property-B (DS-RP-B)

Data Sharing – Read Property Multiple-B (DS-RPM-B)

Data Sharing – Write Property-B (DS-WP-B)

Device Management – Dynamic Device Binding-B (DM-DDB-B)

Device Management – Dynamic Object Binding-B (DM-DOB-B)

Device Management – Device Communication Control-B (DM-DCC-B)

Device Management – Reinitialize Device-B (DM-RD-B)

STANDARD OBJECT TYPES SUPPORTED – Device Object

Property	Type	Read Only or Writable	Comment
Object Identifier	1	Writable	0 - 4,194,303
Object Name	ELECTRA-flo	Writable	Alpha-numeric; 16 char limit Linked to "Custom ID" setting in the Service Menu. Also displays on the bottom of the LCD display on transmitter.
Object Type	Device	Read-only	
System Status	Operational	Read-only	
Vendor Name	Air Monitor Corporation	Read-only	
Model Name	ELECTRA-flo	Read-only	
Location	Default Location	Writable	
Description	Thermal	Writable	
Protocol Version	1	Read-only	
Protocol Revision	9	Read-only	
Services Supported	readProperty, readPropertyMultiple, writeProperty, deviceCommunicationControl, reinitializedevice, who-has, who-is	Read-only	
Object Types Supported	Analog-input, Device	Read-only	
Object List	Varies: (device, 1), (analog input, 0 - X) where X = 1 + (No. of sensors *2)	Read-only	
Max. ADPU Length	128	Read-only	
Segmentation Supported	No Segmentation	Read-only	
APDU Time-Out	3000	Read-only	
# of APDU Retries	3	Read-only	
Max. Master	127	Writable	
Device Address Binding	{}	Read-only	
Database Revision	3	Read-only	

STANDARD OBJECT TYPES SUPPORTED – Analog Inputs

Property	Default Value	Read Only or Writable
Object Identifier	Analog Input-0 to Analog Input-X	Read-only
Object Name	Various	Read-only
Object Type	Analog-Input	Read-only
Present Value	REAL	Read-only
Status Flags	F, F, F, F	Read-only
Event State	Normal	Read-only
Out of Service	FALSE	Read-only
Description	Various	Writable
Location	Various	Writable
Units	Various	Read-only

The Air Monitor BACnet stack supports the optional property "DESCRIPTION".

This is used to indicate the type of information in the object. For example, for an ELECTRA-flo system, the description will indicate as "Total Flow" for average flow, or "Avg Temp" for average temperature. If the object belongs to a sensor in the system, it will be indicated as "SensorN Velocity" or "SensorN Flow", where N is the sensor address. The number of AI objects is determined by the total number of sensors in the system x 2 with an additional 2 AI objects for system average flow and system average temperature. For example, an ELECTRA-flo system with 8 sensors will have a total of 18 AI objects.

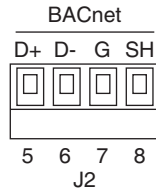
Usage of Status Flags

- Each object supports status bits IN_ALARM, FAULT, and OUT_OF_SERVICE.
- The OOS property indicates the physical input to the object is not in service.
This will be set by the transmitter if someone intentionally removes the sensor from the network. If the transmitter determines there is a problem with any sensor in question, the OOS bit is set along with the FAULT bit. If the OOS property is set, data from the physical device will not be used in any calculation.
- IN_ALARM is set for values which exceed the predetermined values set in the transmitter memory. This field only affects the Avg Temp and Avg Flow Analog Input objects

BACnet Engineering Units for Analog Inputs (Defaults)
Flow Rates: Cubic feet per minute, Liters per minute
Temperatures: Degrees Fahrenheit, Degrees Celsius

Analog Input Objects	
Object Identifier	Function
Analog Input 1	Average Flow Rate
Analog Input 2	Average Temperature
Analog Input (2 + X)	Sensor X Velocity
Analog Input (3 + X)	Sensor X Temperature

Analog Input Objects (Dual Channel)	
Object Identifier	Function
Analog Input 0	Average Sys1 Flow
Analog Input 1	Average Sys1 Temperature
Analog Input 2	Average Sys2 Flow
Analog Input 3	Average Sys2 Temperature
Analog Input 4	Sys Flow Plus
Analog Input 5	Sys Flow Minus
Analog Input 6	Sys_1_Velocity_1
Analog Input 7	Sys_1_Temperature_1
The number of Sys_1_Vel & Sys_1_Temp objects will vary depending on the number of sensors provided with the channel 1 probe(s).	
Analog Input X	Sys_2_Velocity_1
Analog Input X + 1	Sys_2_Temperature_1
The number of Sys_2_Vel & Sys_2_Temp objects will vary depending on the number of sensors provided with the channel 2 probe(s).	



Modbus RTU

Select appropriate Baud Rate, Address and parity setting. Modbus serial interface connections are made at J2 terminals labeled D+, D-, G and SH. The positive RS485 connection is made to D+, the negative connection is made to D-. The 3-wire common connection is made to G and the shield drain is connected to SH.

CAUTION

Do not connect shield drains to the "G" terminal.

Transceiver: 3-wire, half duplex (1/3 unit load)

Recommended maximum units per segment: 32

Baud rate(s): 9600, 19200, 38400, 57600, 115200 (default 38400) unless specified by end user

Address range: 1 – 255

Data format: 8-bit

Stop bits: 1

Parity: Odd, Even or None

End of line termination: Jumper selectable 120 Ohms or none. Only use on end of line.

Biasing: Jumper selectable 549 Ohms or none. Only one device on the network should provide biasing.

Flow control: none

The MODBUS implementation of the ELECTRA-flo supports the use of function code 17, Report Slave ID.

When a message is sent to the meter requesting the slave ID, the following message is returned: ELECTRA-flo G5

The meter will report data in decimal or HEX, depending on the control system settings. The data must be converted from decimal/HEX to ASCII in order to form the string.

Function Codes Supported:

01 - Read Coil(s)

02 - Read Discrete Input(s)

03 - Read Holding Register(s)

04 - Read Input Register(s)

15 - Write Multiple Coils

17 - Report Slave ID

ELECTRA-FLO G5 MODBUS REGISTERS

MODBUS INPUT REGISTERS

DEVICE	FLOW			TEMPERATURE		UNITS
	Address	Data Type		Address	Data Type	
System Average	30000	Float		30002	float	see Register 30201
DEVICE	VELOCITY			TEMPERATURE		UNITS
Sensor 1	30004	float		30006	float	see Register 30200
Sensor 2	30008	float		30010	float	see Register 30200
Sensor 3	30012	float		30014	float	see Register 30200
Sensor 4	30016	float		30018	float	see Register 30200
Sensor 5	30020	float		30022	float	see Register 30200
Sensor 6	30024	float		30026	float	see Register 30200
Sensor 7	30028	float		30030	float	see Register 30200
Sensor 8	30032	float		30034	float	see Register 30200
Sensor 9	30036	float		30038	float	see Register 30200
Sensor 10	30040	float		30042	float	see Register 30200
Sensor 11	30044	float		30046	float	see Register 30200
Sensor 12	30048	float		30050	float	see Register 30200
Sensor 13	30052	float		30054	float	see Register 30200
Sensor 14	30056	float		30058	float	see Register 30200
Sensor 15	30060	float		30062	float	see Register 30200
Sensor 16	30064	float		30066	float	see Register 30200
Sensor 17	30068	float		30070	float	see Register 30200
Sensor 18	30072	float		30074	float	see Register 30200
Sensor 19	30076	float		30078	float	see Register 30200
Sensor 20	30080	float		30082	float	see Register 30200
Sensor 21	30084	float		30086	float	see Register 30200
Sensor 22	30088	float		30090	float	see Register 30200
Sensor 23	30092	float		30094	float	see Register 30200
Sensor 24	30096	float		30098	float	see Register 30200
Sensor 25	30100	float		30102	float	see Register 30200
Sensor 26	30104	float		30106	float	see Register 30200
Sensor 27	30108	float		30110	float	see Register 30200

ELECTRA-FLO G5 MODBUS REGISTERS

MODBUS INPUT REGISTERS

DEVICE	VELOCITY		TEMPERATURE	UNITS	
Sensor 28	30112	float	30114	float	see Register 30200
Sensor 29	30116	float	30118	float	see Register 30200
Sensor 30	30120	float	30122	float	see Register 30200
Sensor 31	30124	float	30126	float	see Register 30200
Sensor 32	30128	float	30130	float	see Register 30200

INPUT REGISTERS FOR SYSTEM VARIABLES

DESCRIPTION	ADDRESS	DATA TYPE	DESCRIPTION
System Velocity Units	30200	uint16_t	1 = FPM, 2 = FPS, 3 = MPM, 4 = MPS
System Flow Units	30201	uint16_t	1 = CFM, 2 = CFH, 3 = L/S, 4 = L/M, 5 = M3H
System Status	30202	uint16_t	1 = ALL_OK, 2 = IN ALARM, 3 = IN FAULT, 4 = OOS
System Node Total	30203	uint16_t	1 - 32 NODES ALLOWED
Version	30204	uint16_t	MSB = Major, LSB = Minor
Version - 2	30205	uint16_t	MSB = Patch, LSB = Build Number
Duct Shape	30206	uint16_t	1 = Rect, 2 = Round, 3 - FLAT OVAL, 4 = OTHER, Fan Inlet = 5
Design Flow Max. Setting	30207	float	Max. Flow to scale Analog Outputs
Duct Area	30209	float	Duct area size in ft ² or m ²

DISCREET INPUTS

DESCRIPTION	ADDRESS	DATA TYPE	DESCRIPTION
Sensor Enabled	10000	boolean	Bit0-Bit15 Sensor Enabled
Sensor Enabled	10001	boolean	Bit16-Bit31 Sensor Enabled
System Units	10002	boolean	Coil 1: 1 = SI, Bit 0: 0 = US
System Conditions	10003	boolean	Coil 2: 1 = Std, Bit 0: 0 = Actual

COILS FOR SYSTEM VARIABLES

DESCRIPTION	ADDRESS	DATA TYPE	DESCRIPTION
K-factor	00001	boolean	1 = ON, 0 = OFF
System Reset	00002	boolean	1 = RESET
K-factor	00003	boolean	Return the state of the K-factor
DESCRIPTION	ADDRESS	DATA TYPE	DESCRIPTION
report slave ID	17000	ASCII	Returns string "ELECTRA-flo G5"

ELECTRA-FLO G5 DUAL MODBUS REGISTERS

MODBUS INPUT REGISTERS

DEVICE	FLOW			TEMPERATURE		UNITS
	Address	Data Type		Address	Data Type	
System 1 Average	30000	float		30002	float	see Register 30401
DEVICE	VELOCITY			TEMPERATURE		UNITS
Sensor 1	30004	float		30006	float	see Register 30400
Sensor 2	30008	float		30010	float	see Register 30400
Sensor 3	30012	float		30014	float	see Register 30400
Sensor 4	30016	float		30018	float	see Register 30400
Sensor 5	30020	float		30022	float	see Register 30400
Sensor 6	30024	float		30026	float	see Register 30400
Sensor 7	30028	float		30030	float	see Register 30400
Sensor 8	30032	float		30034	float	see Register 30400
Sensor 9	30036	float		30038	float	see Register 30400
Sensor 10	30040	float		30042	float	see Register 30400
Sensor 11	30044	float		30046	float	see Register 30400
Sensor 12	30048	float		30050	float	see Register 30400
Sensor 13	30052	float		30054	float	see Register 30400
Sensor 14	30056	float		30058	float	see Register 30400
Sensor 15	30060	float		30062	float	see Register 30400
Sensor 16	30064	float		30066	float	see Register 30400
Sensor 17	30068	float		30070	float	see Register 30400
Sensor 18	30072	float		30074	float	see Register 30400
Sensor 19	30076	float		30078	float	see Register 30400
Sensor 20	30080	float		30082	float	see Register 30400
Sensor 21	30084	float		30086	float	see Register 30400
Sensor 22	30088	float		30090	float	see Register 30400
Sensor 23	30092	float		30094	float	see Register 30400
Sensor 24	30096	float		30098	float	see Register 30400
Sensor 25	30100	float		30102	float	see Register 30400
Sensor 26	30104	float		30106	float	see Register 30400
Sensor 27	30108	float		30110	float	see Register 30400

ELECTRA-FLO G5 DUAL MODBUS REGISTERS

MODBUS INPUT REGISTERS

DEVICE	VELOCITY		TEMPERATURE	UNITS	
Sensor 28	30112	float	30114	float	see Register 30400
Sensor 29	30116	float	30118	float	see Register 30400
Sensor 30	30120	float	30122	float	see Register 30400
Sensor 31	30124	float	30126	float	see Register 30400
Sensor 32	30128	float	30130	float	see Register 30400

MODBUS INPUT REGISTERS

DEVICE	VELOCITY		TEMPERATURE	UNITS	
	Address	Data Type	Address	Data Type	
System 2 Average	30200	float	30202	float	see Register 30401
Sensor 1	30204	float	30206	float	see Register 30400
Sensor 2	30208	float	30210	float	see Register 30400
Sensor 3	30212	float	30214	float	see Register 30400
Sensor 4	30216	float	30218	float	see Register 30400
Sensor 5	30220	float	30222	float	see Register 30400
Sensor 6	30224	float	30226	float	see Register 30400
Sensor 7	30228	float	30230	float	see Register 30400
Sensor 8	30232	float	30234	float	see Register 30400
Sensor 9	30236	float	30238	float	see Register 30400
Sensor 10	30240	float	30242	float	see Register 30400
Sensor 11	30244	float	30246	float	see Register 30400
Sensor 12	30248	float	30250	float	see Register 30400
Sensor 13	30252	float	30254	float	see Register 30400
Sensor 14	30256	float	30258	float	see Register 30400
Sensor 15	30260	float	30262	float	see Register 30400
Sensor 16	30264	float	30266	float	see Register 30400
Sensor 17	30268	float	30270	float	see Register 30400
Sensor 18	30272	float	30274	float	see Register 30400
Sensor 19	30276	float	30278	float	see Register 30400
Sensor 20	30280	float	30282	float	see Register 30400
Sensor 21	30284	float	30286	float	see Register 30400

ELECTRA-FLO G5 DUAL MODBUS REGISTERS

MODBUS INPUT REGISTERS

DEVICE	VELOCITY			TEMPERATURE		UNITS
Sensor 22	30288	float		30290	float	see Register 30400
Sensor 23	30292	float		30294	float	see Register 30400
Sensor 24	30296	float		30298	float	see Register 30400
Sensor 25	30300	float		30302	float	see Register 30400
Sensor 26	30304	float		30306	float	see Register 30400
Sensor 27	30308	float		30310	float	see Register 30400
Sensor 28	30312	float		30314	float	see Register 30400
Sensor 29	30316	float		30318	float	see Register 30400
Sensor 30	30320	float		30322	float	see Register 30400
Sensor 31	30324	float		30326	float	see Register 30400
Sensor 32	30328	float		30330	float	see Register 30400

MODBUS HOLDING REGISTERS

DEVICE	FLOW					UNITS
	Address	Data Type				
System Flow Plus	40000	float				see Register 30401
System Flow Minus	40002	float				see Register 30401

The user can pick off any sensor to determine its value within range:

30000-300132 - System 1 Sensors

30133-300199-Illegal

30200-30332 - System 2 Sensors

30333-30399 - Illegal

30400-30418 System Params

> 30419 Illegal

Ranges are shown above for the Read Input Registers

IMPORTANT NOTE

MODBUS has a PDU limitation of 125 registers, so extracting the data from a 32-node system requires two transactions.

INPUT REGISTERS FOR SYSTEM VARIABLES			
DESCRIPTION	ADDRESS	DATA TYPE	DESCRIPTION
System Velocity Units	30400	uint16_t	1 = FPM, 2 = FPS, 3 = MPM, 4 = MPS
System Flow Units	30401	uint16_t	1 = CFM, 2 = CFH, 3 = L/S, 4 = L/M, 5 = M3H
Version	30402	uint16_t	MSB = Major, LSB = Minor
	30403	uint16_t	MSB = Patch, LSB = Build Number
System Status 1	30404	uint16_t	1 = ALL_OK, 2 = IN ALARM, 3 = IN FAULT, 4 = 00S
System Node Total 1	30405	uint16_t	1 = 32 NODES ALLOWED
Duct Shape 1	30406	uint16_t	1 = Rect, 2 = Round, 3 = FLAT OVAL
Design Flow Max 1 Setting	30407	float	Max Flow to scale Analog Outputs
Duct Area 1	30408	float	Duct area size in ft ² or m ²
System Status 2	30409	uint16_t	1 = ALL_OK, 2 = IN ALARM, 3 = IN FAULT, 4 = 00S
System Node Total 2	30410	uint16_t	1 = 32 NODES ALLOWED
Duct Shape 2	30411	uint16_t	1 = Rect, 2 = Round, 3 = FLAT OVAL
Design Flow Max 2 Setting	30412	float	Max Flow to scale Analog Outputs
Duct Area 2	30413	float	Duct area size in ft ² or m ²
DISCREET INPUTS FOR SYSTEM VARIABLES			
DESCRIPTION	ADDRESS	DATA TYPE	DESCRIPTION
Sensor Enabled	10000	boolean	Bit0-Bit15 Sensor Enabled
Sensor Enabled	10001	boolean	Bit16-Bit31 Sensor Enabled
System Units	10002	boolean	Coil 1: 1 = SI, Bit 0: 0 = US
System Conditions	10002	boolean	Coil 2: 1 = Std, Bit 0: 0 = Actual
<p>Rules for Discrete Inputs (2x) Up to 32 Registers can be requested from 20000 addresses or 20002 addresses. Any other address returns "Illegal Address" No more than 32 registers can be requested. Anymore than 32 will return "Illegal Address" System Conditions has a maximum of (2) registers from the base address 20004</p>			
COILS FOR SYSTEM VARIABLES			
DESCRIPTION	ADDRESS	DATA TYPE	DESCRIPTION
K-factor 1	00001	boolean	1 = ON, 0 = OFF
K-factor 2	00002	boolean	1 = ON, 0 = OFF
System Reset	00003	boolean	1 = RESET
K-factor 1	00004	boolean	Returns the state of the K-factor
K-factor 2	00005	boolean	Returns the state of the K-factor
DESCRIPTION	ADDRESS	DATA TYPE	DESCRIPTION
report slave ID	17	ASCII	Returns string "ELECTRA-flo G5"

3.5: FIELD CHARACTERIZATION

FIELD CHARACTERIZATION

OFF ▼

CALCULATE
 MANUAL

ENT - ACCEPT ESC - LEAVE UP/DN - CHANGE

Field Characterization

Field Characterization (K-factoring) of a flow element is the adjustment of the flow measurement system to match a known reference measurement (for our reference - most commonly airflow traverse testing). Field Characterization is typically done when there is insufficient straight duct run or another issue that creates questionable output from the installed measurement system.

A Field Characterization can be developed from one, two or three referenced flow rates – more could be used, but are not necessary. One traverse test is required for each flow rate. It is recommended that a minimum of a low and a high flow rate are used to determine a Field Characterization. If there is little to no variance in the normal flow rate, it is feasible to use a Field Characterization developed from a single flow rate test. If a high and low flow rate test are performed and it is found that these readings are substantially different, then a medium flow rate should be considered to ensure a more accurate Field Characterization. For any questions or concerns regarding Field Characterization implementation, please contact Air Monitor.

Field Characterization: On enables the Field Characterization and the selection of Calculate or Manual. The Calculate selection will display the on-board calculator that will determine the K-factor (device and reference data must be in-hand and ready to input). Manual displays the Exponent and Gain value forms for inputting externally determined Exponent and Gain values.

CHARACTERIZATION CALCULATOR

NUMBER OF POINTS: 1 ▼

ELECTRA POINT 1: 300.0

ELECTRA POINT 2:

ELECTRA POINT 3:

REFERENCE POINT 1: 400.0

REFERENCE POINT 2:

REFERENCE POINT 3:

ENT - ACCEPT ESC - LEAVE UP/DN - CHANGE

Calculate

Number of Points is the number of flow reference points.

Each point is one reference flow rate (determined by traverse testing or other) and the associated ELECTRA-flo system flow rate. The traverse testing flow rate for these reference points is performed before entering this screen and is written down with the associated ELECTRA-flo point (flow rate). For most applications, a minimum of two points (low and high flow rates) are recommended for an accurate Field Characterization. Three points may be required when a large correction is necessary. Electra Point 1 and Reference Point 1 will be the flow rates for the first test, Points 2 for the second test and Points 3 for the third test. Best practice will be to go from the lowest to highest flow rates when inputting this data. Once all data has been entered and the ENT button is pushed for the final Reference Point, the calculator will display the calculated gain and exponent values.

IMPORTANT NOTE

Whenever a system is being retested in order to determine a new Field Characterization (K-factor), the existing Field Characterization should be turned off prior to testing.

Manual

Selecting Manual will allow inputting of externally determined Gain (K) and Exponent (E) values, where:

Flow (corrected) = K x Flow (uncorrected) ^ E

IMPORTANT NOTE

A Gain (K) only Field Characterization (K-factor) can be achieved with an exponent (E) value = 1.0.

3.6: SERVICE MENU

PASSWORD CONFIGURATION

ON / OFF: ▼

CHANGE:

ENT - ACCEPT ESC - LEAVE UP/DN - CHANGE

TOTAL SYSTEM SCAN

1	2	3	4	5	6	7	8
9	10	11	12	13	14	15	16
17	18	19	20	21	22	23	24
25	26	27	28	29	30	31	32

EXPECTED EXPECTED

MISSING DISPLAYED

ESC - LEAVE

SENSOR CONTROL

SENSOR 1: DISABLED

SENSOR 2: ENABLED

ENT - TOGGLE ESC - LEAVE UP/DN - SELECT

SENSOR DATA SCAN

SEN	PWM	DELTA _t	FPM	FLOW _t	REF _t
1	8980	31.3	885.0	104.9	73.6
2	6813	35.0	382.0	108.2	73.2
3	0	0.0	0.0	0.0	0.0
4	0	0.0	0.0	0.0	0.0
5	0	0.0	0.0	0.0	0.0
6	0	0.0	0.0	0.0	0.0
7	0	0.0	0.0	0.0	0.0
8	0	0.0	0.0	0.0	0.0
9	0	0.0	0.0	0.0	0.0
10	0	0.0	0.0	0.0	0.0

ESC - LEAVE UP/DN - PAGE SCROLL

SENSOR ALERT SCAN

SENSOR	ALERT CODE	FREQ.
1	DISABLED	41
2	NO ALERT	

ESC - LEAVE UP/DN - SCROLL

Password Configuration

This menu page is used to enable or disable the security password. The password can be up to 8 digits. Alpha and numeric characters are supported. Entering a new password will overwrite the old entry.

Total System Scan

Displays the current status of all of the system sensors, thus allowing the user to quickly verify all is operating properly.

Expected (white) and **Enabled** (green) sensor values should be the same unless sensors have been intentionally **Disabled** (red). See below for sensor control. If **Missing** (yellow) is at a value other than zero, the transmitter is not communicating with the associated node.

Sensor Enable/Disable

An enabled sensor will report measurement data to the Airflow G5 transmitter. This is the default condition after initially powering the system.

A disabled sensor will not report measurement data to the Airflow G5 transmitter. Disabled sensors may have a malfunction that causes this condition. It may also be desirable to intentionally disable a sensor for troubleshooting purposes. A known bad or suspect sensor can be disabled to remove it from the flow and temperature averages until it can be evaluated and/or repaired if necessary.

Sensor Data Scan

Displays sensor number (**Sen**), power input to sensors (**PWM**), temperature difference between flow and temperature sensors (**DELTA_t**), velocity (**FPM**), flow temperature sensor (**FLOW_t**) and the reference temperature sensor (**REF_t**).

This data display screen can be used to further evaluate and troubleshoot the system performance and the application characteristics; e.g., the individual sensor velocities and temperatures will provide comprehensive data regarding the flow profile measured.

Sensor Alert Scan

Displays alert codes for expected sensors. Sensors operating properly will display **NoAlert**.

See Alert Code Table on next page.

Property	Type	Description	Corrective Action	Status Bar
Missing	ALERT	Transmitter cannot communicate with Sensor	Power cycle sytem and recheck	MISSING
SensAOOR or SensBOOR	ALERT	Sensor fault	Replace sensor. Contact Nailor.	DISABLED
DeltaOOR	ALERT	Sensor Delta Temperature out of range	Contact Nailor	Temp value in red
TempOOR	RANGE	Temperature measurement out of range (-20 to 140F)	Verify application temperature is not outside -20 to 140F. If ELECTRA-flow G5 appears to be reporting incorrectly, contact Nailor.	Temp value in red
Disabled	ALERT	Sensor resets abnormally	Power cycle system and recheck	DISABLED
VeIOOR	RANGE	Average velocity exceeds 5000 FPM for ducted and 10,000 FPM for Fan Inlet	Verify factory set-up information is correct. If application velocity exceeds 5000 FPM, contact Nailor.	Velocity value in red

Custom ID

This menu page is used to input an alpha-numeric entry of up to 20 characters.

This entry is visible on the bottom of the main display screen and is written to the Device Name field in the BACnet device object.

Restore Factory Settings

This menu page function restores the transmitter to the factory default settings.

IMPORTANT NOTE

This function will erase all calibration data. DO NOT use this without first consulting with Nailor service personnel.

Product Information

This menu page provides information about the Airflow G5 transmitter hardware and firmware. It also includes information on the number of probes and nodes connected to the transmitter.

PROBES/NODES SYSTEM1

PROBES: 2 ▼

NODES: 4 ▼

ENT - ACCEPT ESC - LEAVE UP/DN - CHANGE

Configure Probes vs. Nodes

This menu page is used to configure the transmitter for number of probe arrays and sensors per probe. The allowable range is from 1 – 32 with a maximum total of 32 nodes.

SECTION 4.0 MAINTENANCE, INSPECTIONS, TROUBLESHOOTING

4.1: Maintenance/Inspections

The Airflow Measuring Control Damper system has been designed to operate in most HVAC applications without the need for periodic maintenance or calibration. In some applications, it may be necessary to perform a visual inspection of the probe and sensors, and if necessary clean them using a soft, small brush and/ or compressed air to remove any accumulated particulates or debris.

4.2: Troubleshooting

The ELECTRA-flo system is intended to provide long-term, trouble-free operation. In the event there is an issue with the ELECTRA-flo measurement system, or valid airflow and/or temperature signals are not being received by the BMS/BAS or controller, check and complete the following:

1. The power wiring is securely connected to the proper terminals and is providing the intended 24V AC/DC power.
2. The signal wiring is securely connected to the proper terminals.
3. The probe-to-probe and probe-to-transmitter cables and connections are properly connected and secure.
4. Power cycle the transmitter.

If, after following the above troubleshooting steps, the ELECTRA-flo system continues to operate improperly, contact Nailor Industries Applications Engineering Department for technical assistance.



Houston, Texas
Tel: 281-590-1172
Fax: 281-590-3086

Las Vegas, Nevada
Tel: 702-648-5400
Fax: 702-638-0400

Toronto, Canada
Tel: 416-744-3300
Fax: 416-744-3360

Calgary, Canada
Tel: 403-279-8619
Fax: 403-279-5035