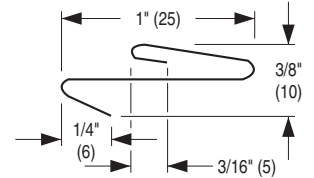
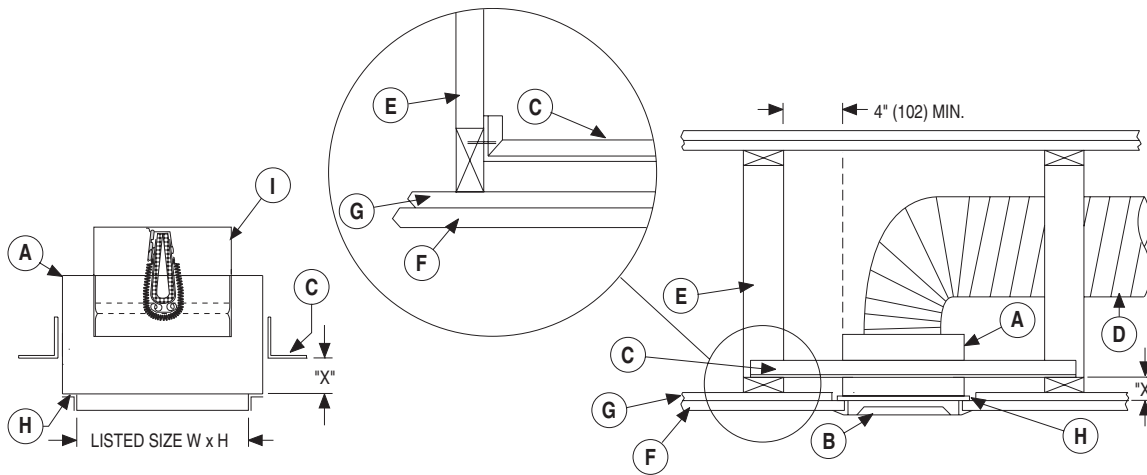


- (A) Steel Register box (boot), by others, Min. 28 ga. (0.474) insulated.
- (B) Steel frame Grille/Register, 26 ga. (0.55) minimum, see note 6
- (C) 3/4" x 3/4" x 16 ga. (19 x 19 x 1.61) or 1 1/2" x 1 1/2" x 22 ga. (38 x 38 x 0.85) Support Angle (2 sides), see notes 2 & 3
- (D) Flex Duct UL Classified Air Duct (Class 0 or 1)
- (E) Wood Truss (refer to specific UL Design No.)
- (F) 5/8" (16) Gypsum Wallboard (refer to specific UL Design No.)
- (G) RC Channel
- (H) Plaster Frame
- (I) Round Ceiling Damper



Std. 24 Ga. Boot Rail
Alternate installation using standard boot rail. Model 0763.

Damper may be installed using standard boot rail. Rails to be installed on opposite sides of boot and attached to the bottom cord of the truss using 16D nails or screws a minimum of 2" (51) long. Maximum size 14" x 8" (356 x 203).



DETAIL B

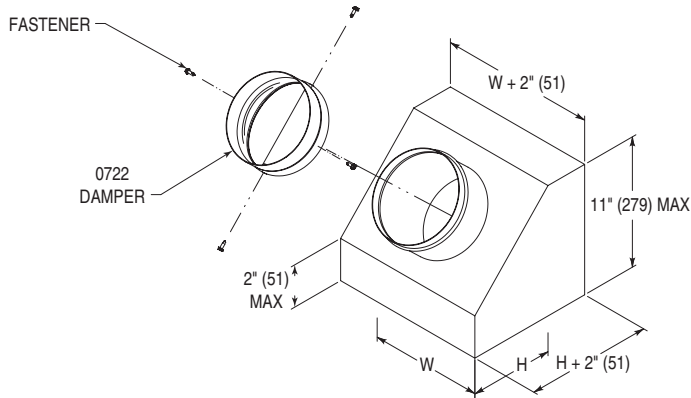
END VIEW WITH GRILLE

NOTES:

- Before installing, open damper blades and install fusible link between spring loaded wire clips. Do not bend or deform clips after assembly. If dampers are provided with link tabs instead of wire clips, install link and bend tabs to secure link in position.
- Attach 3/4" x 3/4" x 16 ga. (19 x 19 x 1.61) or 1 1/2" x 1 1/2" x 22 ga. (38 x 38 x 0.85) support angles to steel register box with a minimum of two #8 screws or 3/16" (5) dia. steel rivets or spot welds each side. Distance from bottom of angle to bottom of plaster flange (X) should be the combined thickness of the wood truss member and the RC channel (See Detail A). **Make sure fasteners do not interfere with damper operation.**
- Install assembly between trusses as shown in End View and attach support angles to truss lower members using 1 1/4" (32) long type S steel screws or similar. See Detail B for alternate support angle attachment method.
- Ceiling penetrations should be located between adjacent trusses and RC channels. If required, a maximum of one RC channel may be cut or notched to enable proper damper location. The clearance between the damper assembly and the cutout in the ceiling material shall be a maximum of 1/8" (3) on any side.
- Flex duct shall be UL Classified Air Duct Class 0 or Class 1 and shall be attached to the plenum collar with steel clamps, plastic straps, or minimum 18 gauge steel wire.
- The grille/register frame shall be 26 gauge (0.55) minimum steel and shall be attached with a minimum of two #8 x 1 1/4" (32) min. screws through the ceiling material and into the plaster flange.
- Refer to UL Fire Resistance Directory Vol. I for details on UL Floor/Ceiling Design No.'s L528, L546, L550, L558, L574, L576, L579, L581, L583, L585, M503 and Roof/Ceiling Design No.'s P531, P533, P545, P547, P552, 1 Hour Fire Rating.

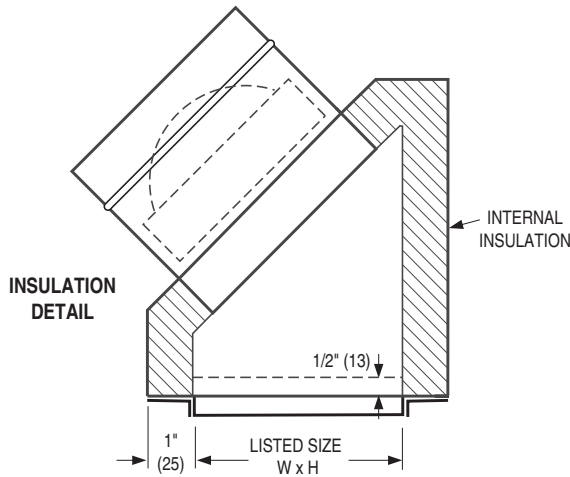


SUPPLEMENTARY INSTALLATION INSTRUCTIONS
FABRICATION OF STEEL PLENUM



Type F Plenum

45° Inlet. Insulated Register Box
 Round ceiling damper in inlet collar.
 Min. size: 8" x 4" (203 x 102), 5" (127) dia. inlet
 Max. size: 14" x 6" (356 x 152), 8" (203) dia. inlet
 Max. Overall Height: 11" (279)



NOTES:

1. The steel plenum box and top shall be a minimum of 28 ga. (0.47) galvanized steel fastened together per SMACNA HVAC Duct Construction Standards, 4" (102) OC.
2. The outlet collar shall be 28 ga. (0.47) and shall be undersized 1/8" (3) small than the diameter of the damper frame.
3. The damper shall be attached to the plenum box collar using steel rivets, spot welds, lock forms, or sheet metal screws, 4" (102) max. OC, equally spaced around the circumference of the collar. **Make sure fasteners do not interfere with damper operation.**
4. Insulation shall be semi rigid Type R-6, 1 1/2" (28) or Type R-8, 2" (51) fiberglass duct liner, minimum density 1.5 pcf. Insulation is self-supporting within plenum box. All internal surfaces must be lined with insulation, excluding outlet collar. The bottom edge of the insulation is trapped by a lip that is formed on the plenum box that extends a min. of 1" (25) from the inner edge of the opening to the outer edge of the box and extends a min. of 1/2" (13) up into the opening. See detail above.
5. Refer to page 1 of 2 of document IOM-CRD0763INST for ceiling damper installation detail.
6. The 0763 Series Ceiling Radiation Damper is classified for use in specific wood truss ceiling assemblies. See UL Fire Resistance Directory for Floor/Ceiling design No.'s L528, L546, L550, L558, L574, L576, L579, L581, L583, L585, M503 and Roof/Ceiling design No.'s P531, P533, P538, P545, P547, P552.

Page 2 of 2

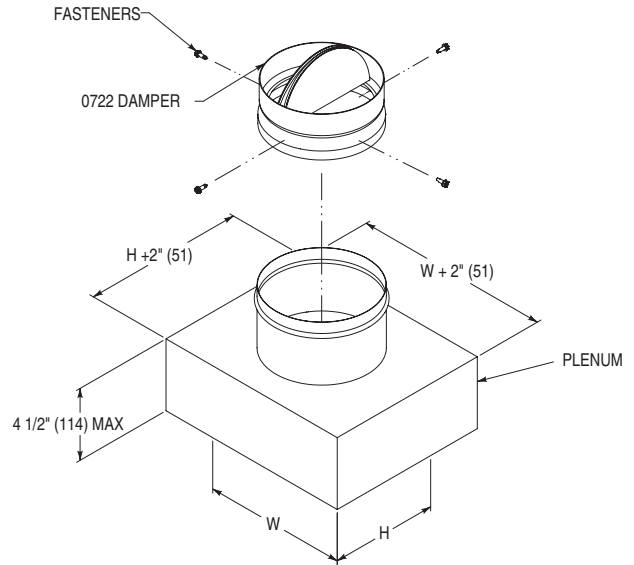


Houston, Texas
 Tel: 281-590-1172
 Fax: 281-590-3086

Las Vegas, Nevada
 Tel: 702-648-5400
 Fax: 702-638-0400

Toronto, Canada
 Tel: 416-744-3300
 Fax: 416-744-3360

Calgary, Canada
 Tel: 403-279-8619
 Fax: 403-279-5035



Type G Plenum

Top Inlet. Insulated Register Box
 Round ceiling damper in inlet collar.
 Min. size: 8" x 4" (203 x 102), 4" (102) dia. inlet
 Max. size: 14" x 8" (356 x 203), 8" (203) dia. inlet
 Max. Overall Height: 8" (200)

