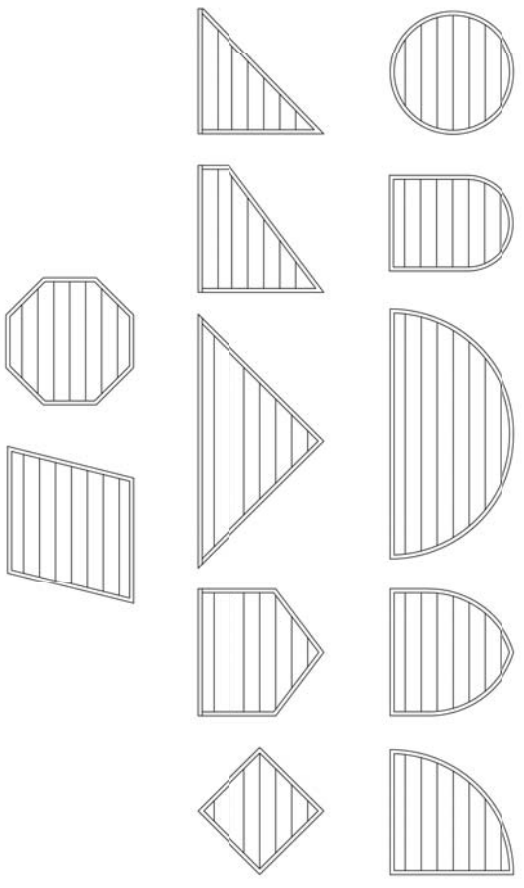


AVAILABLE SHAPES



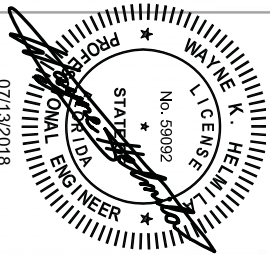
PRIVATE & CONFIDENTIAL
DO NOT REPRODUCE WITHOUT THE PERMISSION OF
Nailor Industries Inc.
4714 Winfield Road Houston, TX 77039
TEL: 281-590-1172 FAX: 281-590-3086
www.nailor.com

TITLE:
**ELEVATION VIEW
AND
AVAILABLE SHAPES**

DWN BY: ffortinas
DATE: 2/22/2017

CHK BY: MAstourian
SCALE: NTS

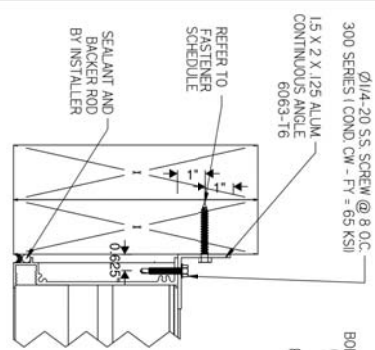
SHEET: 1 OF 7
1606DHPF



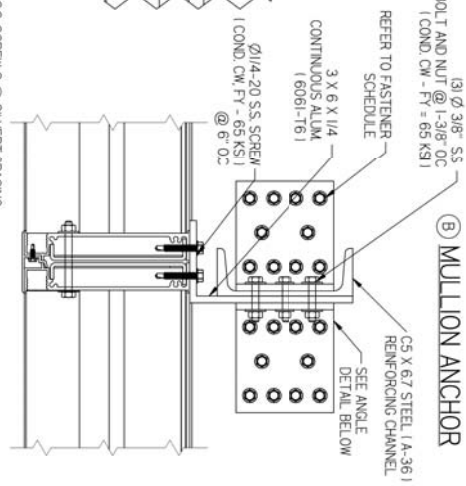
07/13/2018
COA: 9090

RICE
ENGINEERING
105 School Creek
Trill, Luxemburg, WI
54217 Phone: (920)
617-1042 Fax: (920)
617-1100 www.rice-
Florida Firm No:
F-07000005061 Certificate of
Authorization: #090Wayne K.
Helm Registration No. 59092

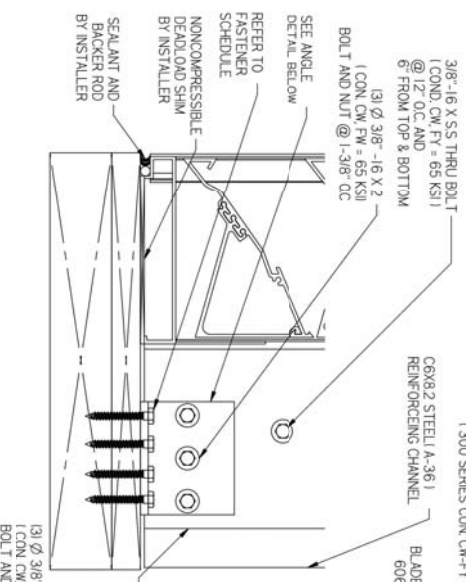
(A) JAMB ANCHOR CONTINUOUS ANGLE



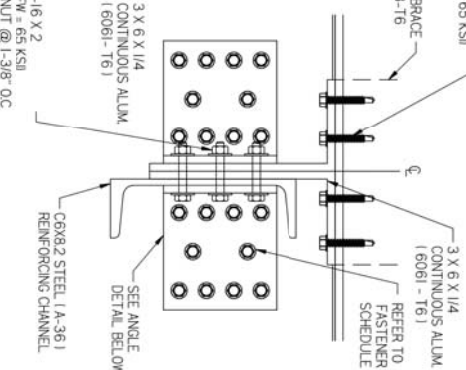
(B) MULLION ANCHOR



WOOD OPENING MINIMUM G = 0.42



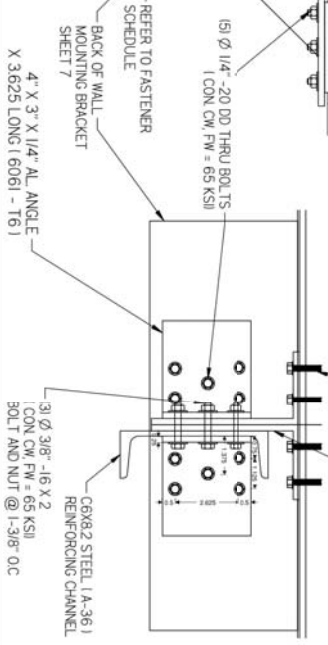
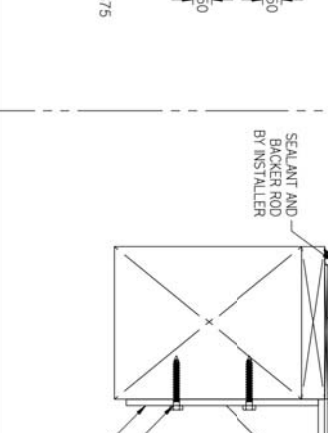
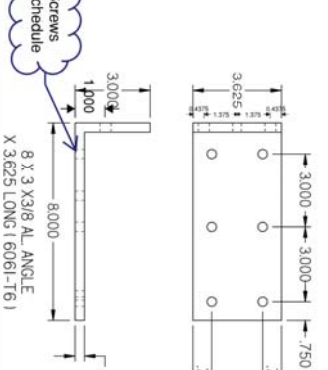
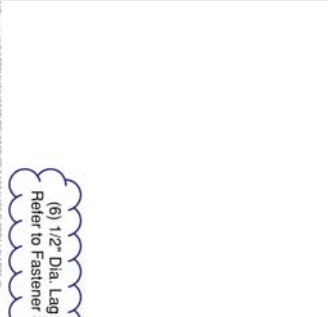
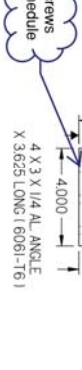
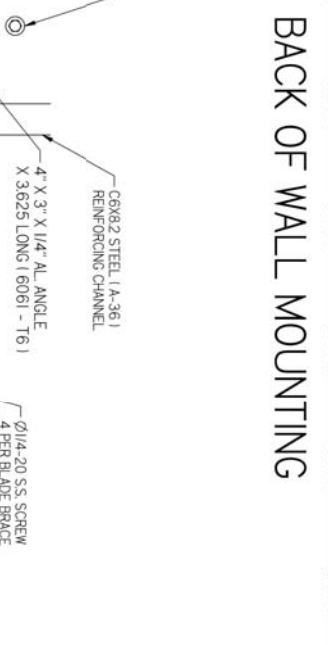
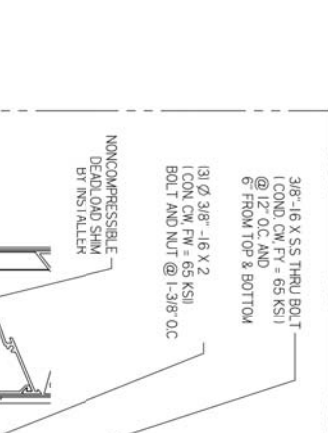
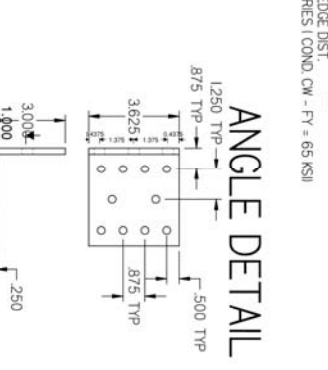
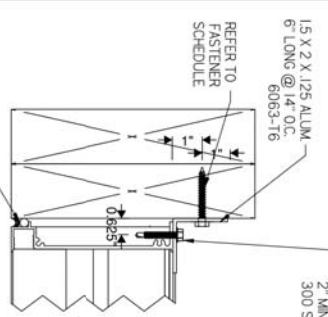
(C) SUPPORT ANCHOR



| | |
|-------------------|-------------------|
| DWN BY: fcartinas | CHK BY: MStourian |
| DATE: 2/22/2017 | SCALE: NTS |
| SHEET: 2 OF 7 | |
| 1606DHPF | |

PRIVATE & CONFIDENTIAL
DO NOT REPRODUCE WITHOUT THE PERMISSION OF
Nailor Industries Inc.
4714 Winfield Road Houston, TX 77039
TEL: 281-590-1172 FAX: 281-590-3086
www.nailor.com

TITLE:
WOOD MOUNTING



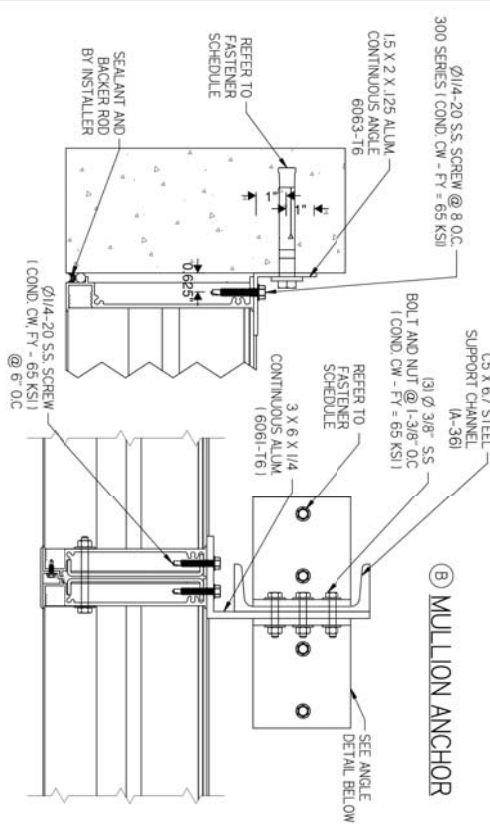
RICE ENGINEERING
105 School Creek Trail
Luxemburg, FL 34217
Phone: (920) 817-1042
Fax: (920) 817-1100
www.riceinc.com
Florida Firm No. F-01000005061
Certificate of Authorization: #9090
Wayne K. Helms
Registration No. 59092

COA: 9090
07/13/2018

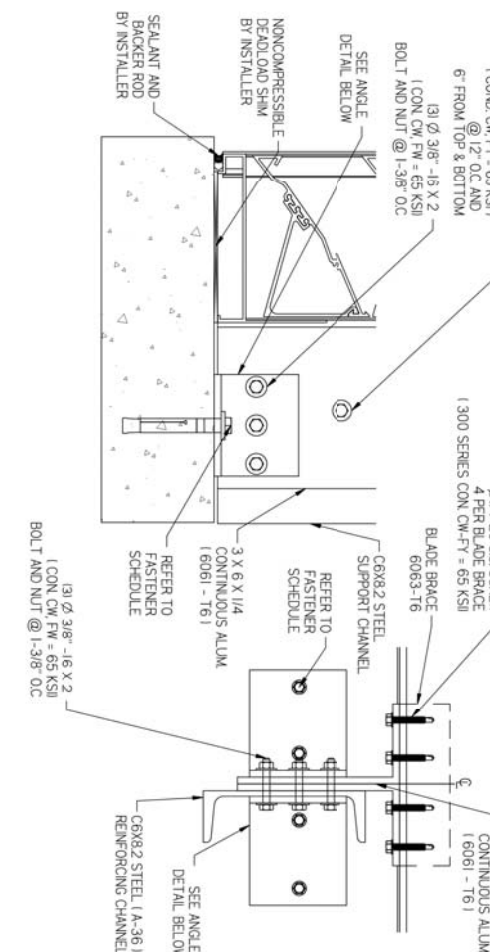


CONCRETE MINIMUM 4 KSI / CMU MINIMUM 1.5 KSI OPENING

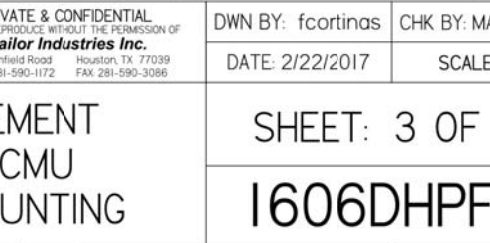
(A) JAMB ANCHOR CONTINUOUS ANGLE



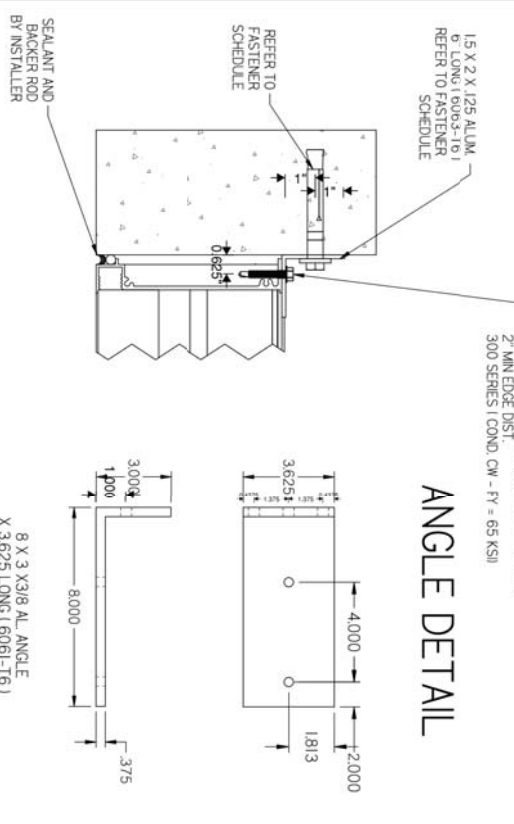
(B) MULLION ANCHOR



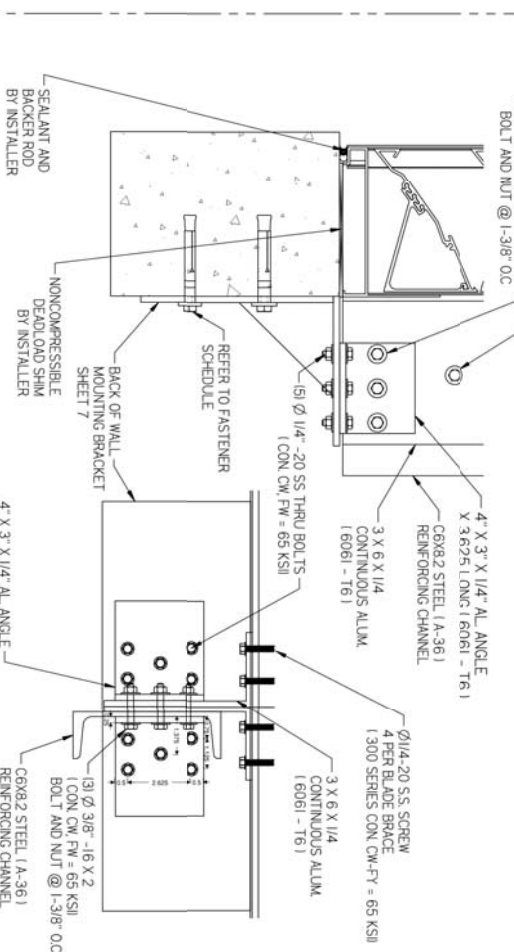
(C) SUPPORT ANCHOR



(A) JAMB ANCHOR CLIP ANGLE



ANGLE DETAIL



BACK OF WALL MOUNTING

1
2
3
4
5
6
7
A
B
C
D
E
F
G
H
J
K
L

RICE
ENGINEERING

105 School Creek Trail
Luxemburg, WI 54217
Phone: (920) 617-1042
Fax: (920) 617-1100
www.riceinc.com

Florida Firm No. F-01000005061
Certificate of Authorization: #9090
Wayne K. Helmilla
Registration No. 59092

COA: 9090
07/3/2018

PRIVATE & CONFIDENTIAL
DO NOT REPRODUCE WITHOUT THE PERMISSION OF
Nailor Industries Inc.

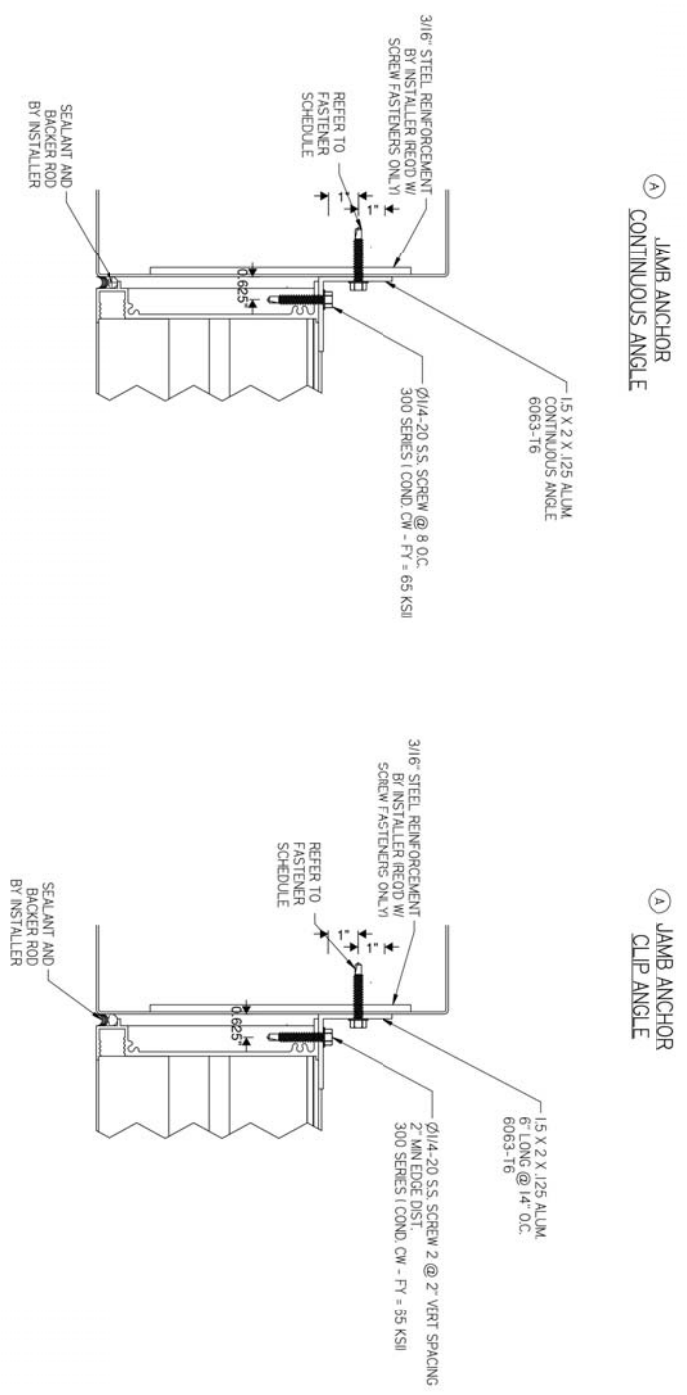
4714 Winfield Road Houston, TX 77039
TEL. 281-590-1172 FAX 281-590-3086
www.nailor.com

TITLE: **CEMENT CMU MOUNTING**

| | |
|-------------------|--------------------|
| DWN BY: fcartinas | CHK BY: MAstourian |
| DATE: 2/22/2017 | SCALE: NTS |
| SHEET: 3 OF 7 | |
| 1606DHPF | |

| | |
|--|--|
| | |
| | |
| | |
| | |

STEEL 16 GA. STUD OPENING



1 JAMB ANCHOR CONTINUOUS ANGLE

2 JAMB ANCHOR CLIP ANGLE

15 X 2 X 1/25 ALUM 6063-T6

3/16" STEEL REINFORCEMENT BY INSTALLER (REQ'D W/ SCREW FASTENERS ONLY)

REFER TO FASTENER SCHEDULE

SEALANT AND BACKER ROD BY INSTALLER

3/16" STEEL REINFORCEMENT BY INSTALLER (REQ'D W/ SCREW FASTENERS ONLY)

REFER TO FASTENER SCHEDULE

SEALANT AND BACKER ROD BY INSTALLER

15 X 2 X 1/25 ALUM 6063-T6

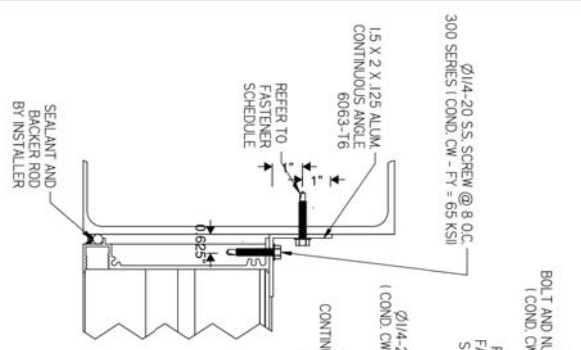
Ø1/4-20 SS SCREW @ 8 O.C. 300 SERIES (COND. CW - FY = 65 KSI)

Ø1/4-20 SS SCREW 2 @ 2" VERT SPACING 2" MIN EDGE DIST. 300 SERIES (COND. CW - FY = 35 KSI)

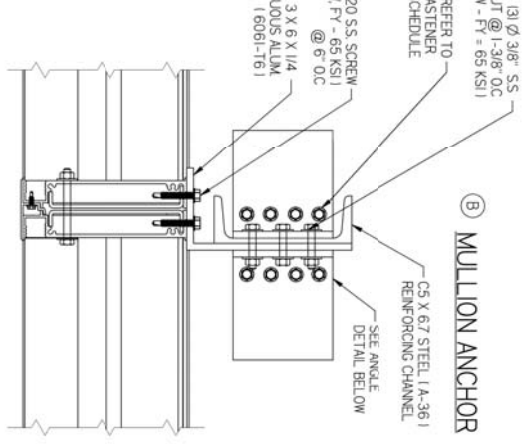
| | | | | | | | | | | |
|---|---|---|---|---|---|---|---|---|---|---|
| 1 | A | B | C | D | E | F | G | H | J | K |
| 2 | | | | | | | | | | |
| 3 | | | | | | | | | | |
| 4 | | | | | | | | | | |
| 5 | | | | | | | | | | |
| 6 | | | | | | | | | | |
| 7 | A | B | C | D | E | F | G | H | J | K |

| | | | | | |
|--|--|---|---|---|---|
| <p>RICE ENGINEERING</p> <p>105 School Creek Trail Luxemburg, WI 54217 Phone: (920) 817-1042 Fax: (920) 817-1100 www.riceinc.com</p> <p>Florida Firm No. F-01000005061 Certificate of Authorization: #9090 Wayne K. Helmlin Registration No. 59092</p> | | <p>COA: 9090</p> <p>07/13/2018</p> | <p>PRIVATE & CONFIDENTIAL</p> <p>DO NOT REPRODUCE WITHOUT THE PERMISSION OF</p> <p>Nailor Industries Inc.</p> <p>4714 Winfield Road Houston, TX 77039 TEL: 281-590-1172 FAX: 281-590-3086 www.nailor.com</p> | <p>DWN BY: ffortinas</p> <p>DATE: 2/22/2017</p> | <p>CHK BY: MAstourian</p> <p>SCALE: NTS</p> |
| | | <p>TITLE: STEEL 16 GA JAMB MOUNTING</p> | <p>SHEET: 4 OF 7</p> <p>1606DHPF</p> | | |

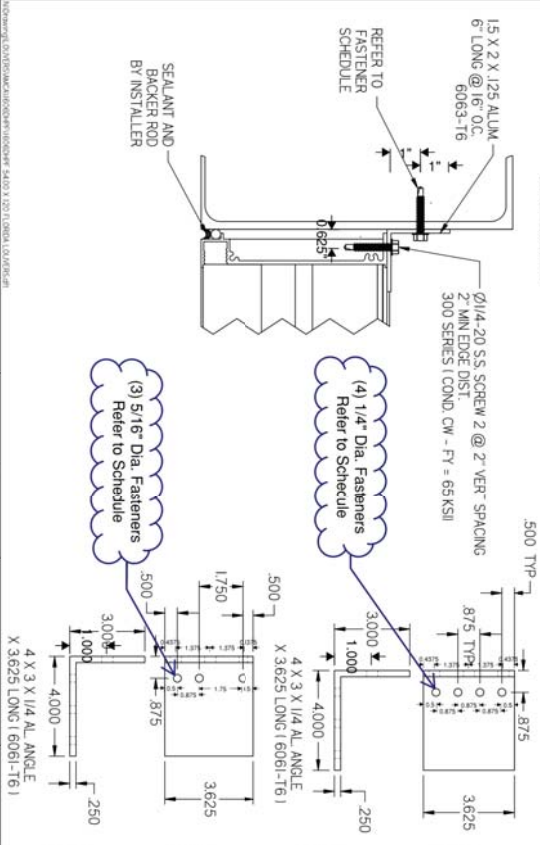
Ⓐ JAMB ANCHOR CONTINUOUS ANGLE



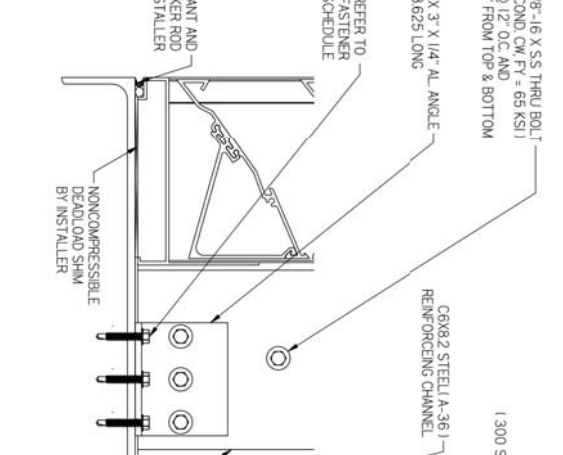
Ⓑ MULLION ANCHOR



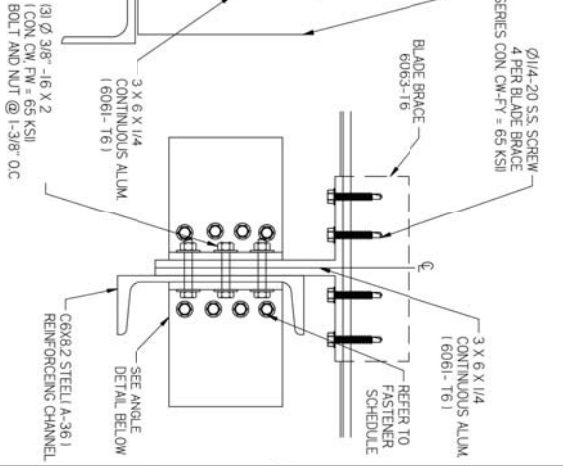
ANGLE DETAIL



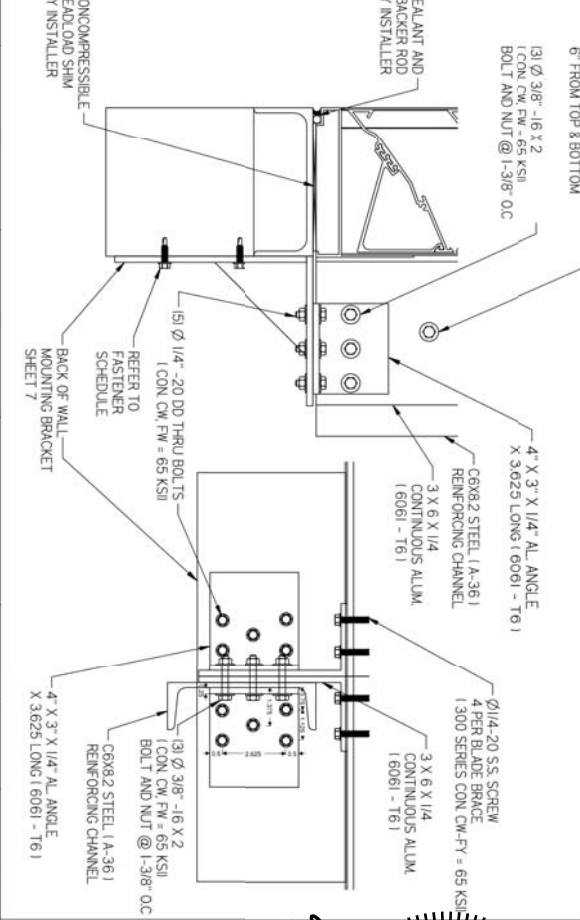
1/4\"/>



Ⓒ SUPPORT ANCHOR



BACK OF WALL MOUNTING

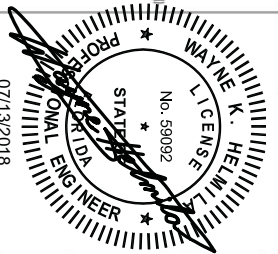


DWN BY: fcartinas CHK BY: MAstourian
 DATE: 2/22/2017 SCALE: NTS

SHEET: 5 OF 7
1606DHPF

PRIVATE & CONFIDENTIAL
 DO NOT REPRODUCE WITHOUT THE PERMISSION OF
Nailor Industries Inc.
 4714 Winfield Road Houston, TX 77039
 TEL: 281-590-1172 FAX: 281-590-3086
 www.nailor.com

TITLE: **STEEL A-36 MOUNTING**



RICE ENGINEERING
 105 School Creek Trail
 Luxembourg, VA 54217
 Phone: (920) 817-1042
 Fax: (920) 817-1100
 www.rice-inc.com
 Florida Firm No. F-01000005061
 Certificate of Authorization: #9090
 Wayne K. Helms
 Registration No. 59092

NONREPRODUCIBLE DRAWING - SEE PROJECT MANUAL FOR REVISIONS - 5/10/17 - 2017 11 000000 0000 0000

LOUVER MODEL 1606DHPF

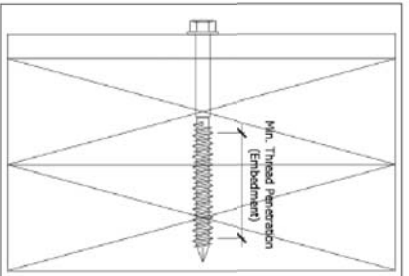
| WOOD | STEEL STUD | STEEL | CONCRETE | CMU | MIN | FASTENER TYPE | DIAMETER | # Rods | CENTERS | EDGE | EMBEDMENT |
|---|------------|---------------|-----------|-----|---------|---|----------|--------|---------|----------|------------|
| CONTINUOUS JAMB PERMETER ANGEL FASTENER WIDTH = 54 INCHES | | | | | | | | | | | |
| X | X | | | | SG 0.42 | LAG SCREW 1300 SERIES SS - COND. CW - FY = 65 ksi | 1/4" | 1 | 5" | 2" | 1 9/16" |
| | | | | | SG 0.42 | LAG SCREW 1300 SERIES SS - COND. CW - FY = 65 ksi | 3/8" | 1 | 6" | 2" | 6" |
| | X | | | | 16 GA. | ELOO DRILL-FLEX FRILLING SCREWS 1300 SERIES SS - COND. CW - FY = 65 ksi | 1/4" | 1 | 8" | 2" | FULL PENE. |
| | | X | | | A-36 | ELOO DRILL-FLEX FRILLING SCREWS 1300 SERIES SS - COND. CW - FY = 65 ksi | 1/4" | 1 | 14" | 2" | FULL PENE. |
| | | | X | | A-36 | ELOO DRILL-FLEX FRILLING SCREWS 1300 SERIES SS - COND. CW - FY = 65 ksi | 5/16" | 1 | 16" | 2" | FULL PENE. |
| | | | X-CRACKED | | 4ksi | HL TI KWIK HUS-EZ | 1/4" | 1 | 7" | 4" | 1 5/8" |
| | | | X-CRACKED | | 4ksi | HL TI KWIK HUS-EZ | 3/8" | 1 | 10" | 4" | 1 5/8" |
| | | | X | | 1.5ksi | HL TI KWIK -CON II- | 1/4" | 1 | 6" | 1-1/2" | 1-3/4" |
| | | | X | | 1.5ksi | HL TI KWIK-BOL T3 | 3/8" | 1 | 16" | 4" | 2-1/2" |
| CLIP JAMB PERMETER ANGEL FASTENER WIDTH = 54 INCHES | | | | | | | | | | | |
| | | | | | SG 0.42 | LAG SCREW 1300 SERIES SS - COND. CW - FY = 65 ksi | 1/4" | 3 | 14" | 2" | EMBEDMENT |
| X | | | | | SG 0.42 | LAG SCREW 1300 SERIES SS - COND. CW - FY = 65 ksi | 3/8" | 2 | 14" | 2" | 1 9/16" |
| | X | | | | 16 GA. | ELOO DRILL-FLEX FRILLING SCREWS 1300 SERIES SS - COND. CW - FY = 65 ksi | 1/4" | 2 | 14" | 2" | FULL PENE. |
| | | X | | | A-36 | ELOO DRILL-FLEX FRILLING SCREWS 1300 SERIES SS - COND. CW - FY = 65 ksi | 1/4" | 2 | 16" | 2" | FULL PENE. |
| | | | X | | A-36 | ELOO DRILL-FLEX FRILLING SCREWS 1300 SERIES SS - COND. CW - FY = 65 ksi | 5/16" | 2 | 16" | 2" | FULL PENE. |
| | | | X-CRACKED | | 4ksi | HL TI KWIK HUS-EZ | 1/4" | 2 | 14" | 4" | 1 5/8" |
| | | | X-CRACKED | | 4ksi | HL TI KWIK HUS-EZ | 3/8" | 1 | 16" | 4" | 2 1/2" |
| | | | X | | 1.5ksi | HL TI KWIK-BOL T3 | 3/8" | 1 | 16" | 4" | 2-1/2" |
| MULLION ANGLE MOUNT FASTENERS, HEIGHT = 120 INCHES | | | | | | | | | | | |
| | X | | | | SG 0.42 | LAG SCREW 1300 SERIES SS - COND. CW - FY = 65 ksi | 1/4" | 10 | CENTERS | EDGE | EMBEDMENT |
| | X | | | | SG 0.42 | LAG SCREW 1300 SERIES SS - COND. CW - FY = 65 ksi | 1/2" | 6 | VARES | 2" | 1 7/8" |
| | X | | | | A-36 | ELOO DRILL-FLEX DRILLING SCREWS 1300 SERIES SS - COND. CW - FY = 65 ksi | 1/4" | 4 | 7/8" | 2" | 1 5/8" |
| | | X | | | A-36 | ELOO DRILL-FLEX DRILLING SCREWS 1300 SERIES SS - COND. CW - FY = 65 ksi | 5/16" | 3 | VARES | 2" | FULL PENE. |
| | | X-CRACKED | | | 4ksi | HL TI KWIK BOL T 3 - CS** | 1/2" | 2 | 4" | 6" | 3-9/16" |
| | | X-LONGCRACKED | | | 4ksi | HL TI KWIK BOL T 3** | 3/4" | 2 | 4" | 8" | 5 - 9/16" |
| MULLION ANGLE MOUNT BRCK OF WALL FASTENERS, HEIGHT = 120 INCHES | | | | | | | | | | | |
| | X | | | | SG 0.42 | LAG SCREW 1300 SERIES SS - COND. CW - FY = 65 ksi | 1/4" | 15 | VARES | 1" | 3 11/32" |
| | X | | | | SG 0.42 | LAG SCREW 1300 SERIES SS - COND. CW - FY = 65 ksi | 3/8" | 11 | VARES | 1 - 1/2" | 3 9/32" |
| | | X | | | A-36 | ELOO DRILL-FLEX DRILLING SCREWS 1300 SERIES SS - COND. CW - FY = 65 ksi | 1/4" | 14 | VARES | 1" | FULL PENE. |
| | | X | | | A-36 | ELOO DRILL-FLEX DRILLING SCREWS 1300 SERIES SS - COND. CW - FY = 65 ksi | 5/16" | 12 | VARES | 1" | FULL PENE. |
| | | X-CRACKED | | | 4ksi | HL TI KWIK HUS-EZ | 1/2" | 8 | VARES | 3" | 4 - 1/4" |
| | | X-LONGCRACKED | | | 4ksi | HL TI KWIK BOL T 3** | 1/2" | 12 | VARES | 3" | 3 - 5/8" |

* NOTE: THREAD PENETRATION EMBEDMENT LENGTH SIGNIFES THE REQUIRED LENGTH OF THE THREADED PORTION OF THE FASTENER INTO THE WOOD SUBSTRATE PROVIDING FULL CONTACT WITH WOOD. LAG SCREW TP CANNOT BE CONSIDERED PART FO THE THREADED PORTION OF THE SCREW. LAG SCREWS AE NOT TO BE INSTALLED AT WOOD JOINTS / SPLICES WHERE THE LAG SCREW COULD FALL BETWEEN MEMBERS.

** NOTE: ENGINEER OF RECORD (EOR) IS RESPONSIBLE FOR DETERMINING F CONCRETE IS TO BE CONSIDERED CRACKED OR UNCRACKED.

GENERAL NOTES:

1. IT SHALL BE THE RESPONSIBILITY OF THE PERMIT HOLDER TO VERIFY THE STRUCTURAL INTEGRITY OF THE EXISTING STRUCTURE TO SUPPORT THE LOADS SUPERIMPOSED BY THE LOUVERS.
2. INSTALLER TO PROVIDE SEPARATION OF THE DISSIMILAR MATERIALS AS REQUIRED.
3. WOOD SUBSTRATE TO ME MINIMUM G = 0.42
4. CONCRETE SUBSTRATE = 4 KSI / GROUT FILLED CMU = 2 KSI.
5. STEEL STUD OPENINGS (1/6 GA MINIMUM THICKNESS) TO BE MIN. Fy=33 ksi.
6. STRUCTURAL STEEL OPENINGS (1/4" MINIMUM THICKNESS) TO BE MINIMUM Fy = 36 ksi.



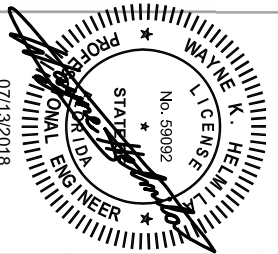
PRIVATE & CONFIDENTIAL
DO NOT REPRODUCE WITHOUT THE PERMISSION OF
Nailor Industries Inc.
4714 Winfield Road Houston, TX 77039
TEL: 281-590-1172 FAX: 281-590-3086
www.nailor.com

TITLE:
**FASTENER SCHEDULE
AND
GENERAL NOTES**

DWN BY: fcartinas
DATE: 2/22/2017

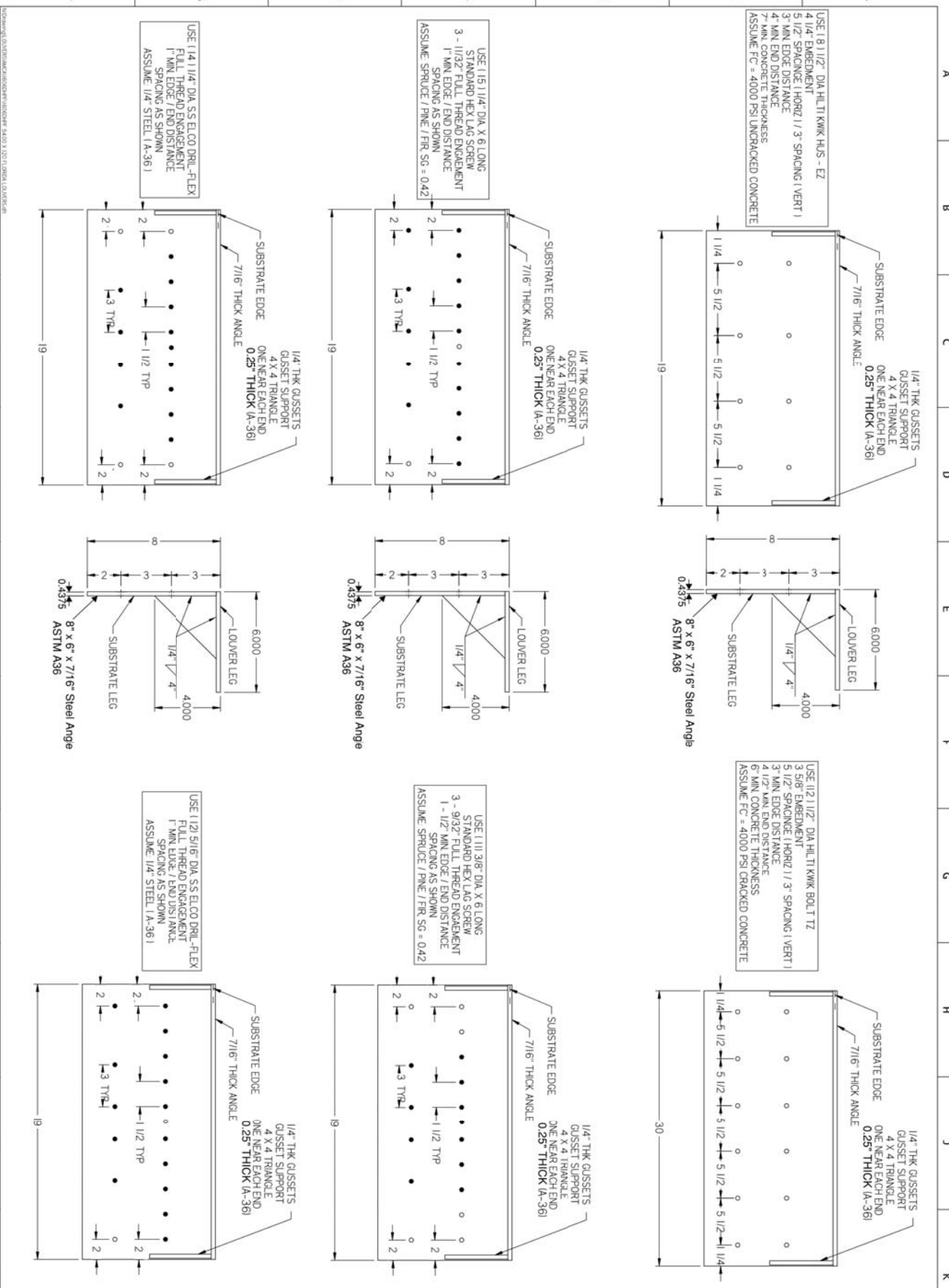
CHK BY: MASTOURIAN
SCALE: NTS

SHEET: 6 OF 7
1606DHPF



COA: 9090
07/13/2018

RICE
ENGINEERING
105 School Creek Trail
Luxemburg, WI 54217
Phone: (920) 817-1042
Fax: (920) 817-1100
www.riceinc.com
Florida Firm No. F-01000005061
Certificate of Authorization: #9090
Wayne K. Helmlinger
Registration No. 59092



| | | | |
|--|--|---|---|
| <p>PROFESSIONAL ENGINEER</p> <p>WAYNE K. HELM</p> <p>STATE OF FLORIDA</p> <p>No. 59092</p> <p>07/13/2018</p> <p>COA: 9090</p> | <p>PRIVATE & CONFIDENTIAL</p> <p>DO NOT REPRODUCE WITHOUT THE PERMISSION OF</p> <p>Nailor Industries Inc.</p> <p>4714 Winfield Road Houston, TX 77039</p> <p>TEL. 281-590-1172 FAX 281-590-3086</p> | <p>DWN BY: ffortinas</p> <p>DATE: 2/22/2017</p> | <p>CHK BY: MAstourian</p> <p>SCALE: NTS</p> |
| | <p>TITLE:</p> <p>SILL - HEAD ANCHOR</p> <p>BACK OF WALL</p> | <p>SHEET: 7 OF 7</p> <p>1606DHPF</p> | <p>REV</p> |

RICE

ENGINEERING

105 School Creek Trail
Luxemburg, FL 34217
Phone: (920) 817-1042
Fax: (920) 817-1100
www.riceinc.com

Florida Firm No. F-01000005061
Certificate of Authorization: #9090
Wayne K. Helmlia
Registration No. 59092