



FLOWLINE™ LINEAR SLOT DIFFUSERS
LAY-IN UNITS FOR FLAT T-BAR
VERTICAL JET THROW PATTERN CONTROLLERS
MODEL SERIES: FTV

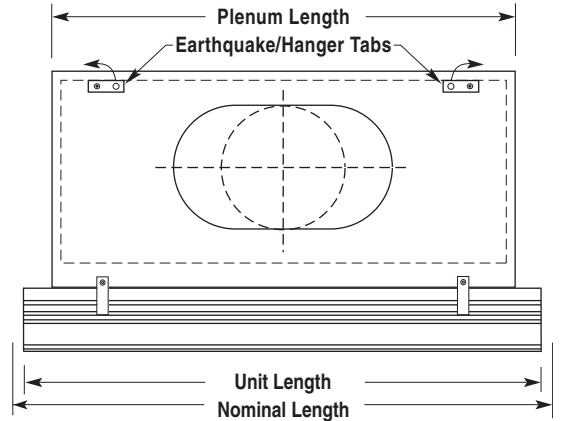
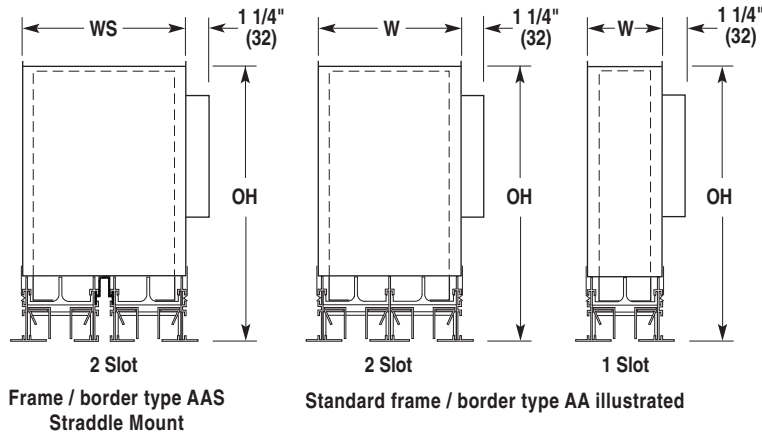
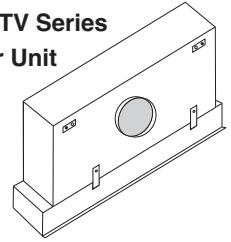
Uninsulated Models:

- FTV10 • 1" (25) Slot
- FTV15 • 1½" (38) Slot
- FTV20 • 2" (51) Slot
- FTV25 • 2½" (64) Slot
- FTV30 • 3" (76) Slot

Internally Insulated Models:

- FTVI10 • 1" (25) Slot
- FTVI15 • 1½" (38) Slot
- FTVI20 • 2" (51) Slot
- FTVI25 • 2½" (64) Slot
- FTVI30 • 3" (76) Slot

Flowline™ FTV Series
Lay-in T-Bar Unit

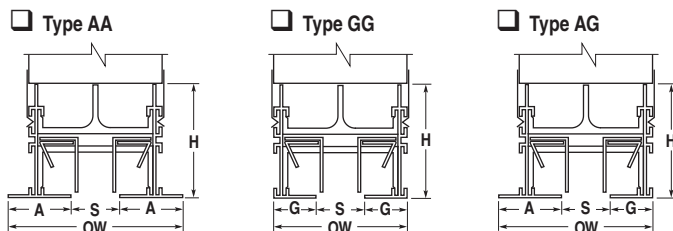


Dimensional Data (Imperial Grids)

Nominal Length	Unit Length	Plenum Length	Available Inlet Sizes	
			1 Slot	2 Slot
24 (610)	23 ¾ (603)	20 ¾ (527)	6(152), 8(203) Round	6(152), 8 (203),
48 (1219)	47 ¾ (1213)	44 ¾ (1137)	10 (254), 12 (305),	10 (254), 12 (305),
60 (1524)	59 ¾ (1518)	56 ¾ (1441)	14 (356) Flat Oval*	14 (356) Round

FTV Series Model	1 Slot		2 Slot		
	W	OH	W	WS	OH
FTV(I)10	2 ¾ (70)	12 ¾ (314)	5 ¾ (132)	6 ¼ (154)	18 ¾ (467)
FTV(I)15	3 ¾ (95)	12 ½ (321)	7 ¾ (183)	8 ¼ (205)	18 ½ (473)
FTV(I)20	4 ¾ (121)	12 ½ (327)	9 ¾ (233)	10 ¼ (256)	18 ¾ (479)
FTV(I)25	5 ¾ (146)	13 ½ (333)	11 ¾ (284)	12 ¼ (306)	19 ½ (486)
FTV(I)30	6 ¾ (171)	13 ¾ (340)	13 ¾ (335)	14 ¼ (357)	19 ¾ (492)

FTV Series Border Types. One Slot Units.



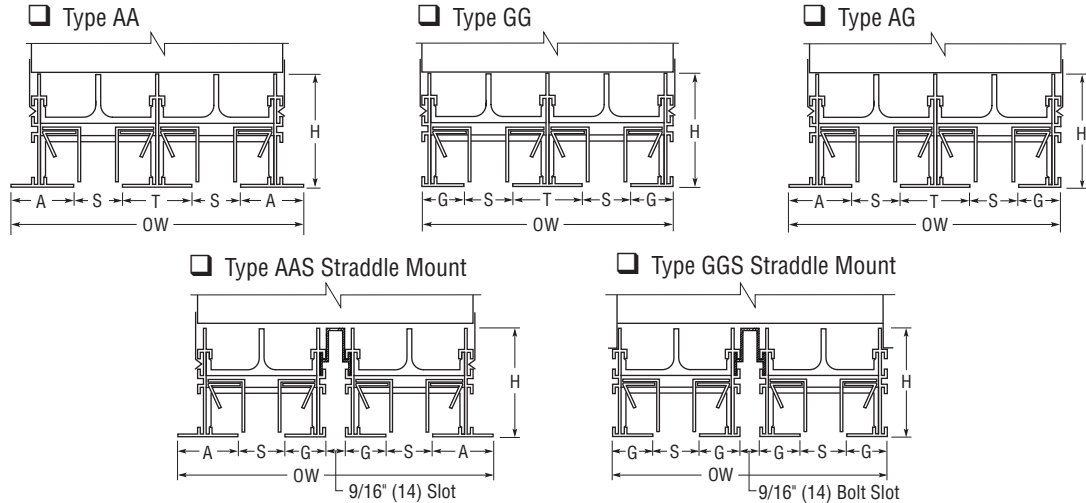
* Equivalent Oval: 10" (254) = 11" x 7 7/8" (279 x 200);
 12" (305) = 14 1/8" x 7 7/8" (359 x 200);
 14" (356) = 17 5/16" x 7 7/8" (440 x 200).

Dimensional Data - Imperial (Metric) Units

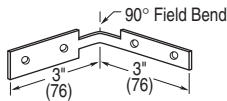
FTV Series Model	S Slot Width	A Border Width	G Border Width	H Height	OW Overall Width for Frame / Border Type		
					AA	GG	AG
FTV(I)10	1 (25)	1 ¾ (33)	7/8 (22)	2 ¾ (60)	3 9/16 (90)	2 ¾ (70)	3 5/32 (80)
FTV(I)15	1 ½ (38)	1 17/32 (39)	1 ½ (29)	2 5/8 (67)	4 9/16 (116)	3 ¾ (95)	4 5/32 (106)
FTV(I)20	2 (51)	1 25/32 (45)	1 3/8 (35)	2 7/8 (73)	5 9/16 (141)	4 ¾ (121)	5 5/32 (131)
FTV(I)25	2 ½ (64)	2 1/32 (52)	1 5/8 (41)	3 1/8 (79)	6 9/16 (167)	5 ¾ (146)	6 5/32 (156)
FTV(I)30	3 (76)	2 3/32 (58)	1 7/8 (48)	3 3/8 (86)	7 9/16 (192)	6 ¾ (171)	7 5/32 (182)

SCHEDULE TYPE
PROJECT
ENGINEER
CONTRACTOR

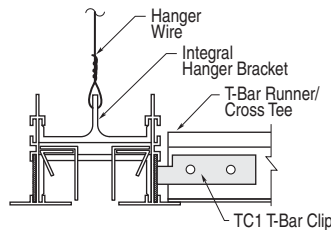
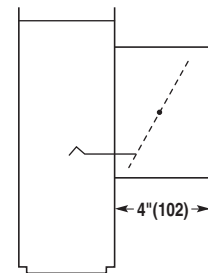
Page 1 of 2 Dimensions are in inches (mm).			
DATE	B SERIES	SUPERSEDES	DRAWING NO.
6 - 17 - 16	FL	10 - 19 - 15	FTV-1

FTV Series Border Types. Two Slot Units.

Dimensional Data - Imperial (Metric) Units

Model	S Slot Width	A Border Width	G Border Width	H Height	T 2 Slot	OW Overall Width for Frame / Border Type				
						AA	GG	AG	AAS	GGS
FTV(I)10	1 (25)	1 3/32 (33)	7/8 (22)	2 3/8 (60)	1 7/16 (37)	6 (152)	5 3/16 (132)	5 19/32 (142)	6 7/8 (175)	6 1/16 (154)
FTV(I)15	1 1/2 (38)	1 17/32 (39)	1 1/8 (29)	2 5/8 (67)	1 15/16 (49)	8 (203)	7 3/16 (183)	7 19/32 (193)	8 7/8 (225)	8 1/16 (205)
FTV(I)20	2 (51)	1 25/32 (45)	1 3/8 (35)	2 7/8 (73)	2 7/16 (62)	10 (254)	9 3/16 (233)	9 19/32 (244)	10 7/8 (276)	10 1/16 (256)
FTV(I)25	2 1/2 (64)	2 1/32 (52)	1 5/8 (41)	3 1/8 (79)	2 15/16 (75)	12 (305)	11 3/16 (284)	11 19/32 (294)	12 7/8 (327)	12 1/16 (306)
FTV(I)30	3 (76)	2 9/32 (58)	1 7/8 (48)	3 3/8 (86)	3 7/16 (87)	14 (356)	13 3/16 (335)	13 19/32 (345)	14 7/8 (378)	14 1/16 (357)

Optional Mounting Hardware
 TC1 T-Bar Clip (Field Formed)


The TC1 T-Bar Clip is used to attach drop tees to the FlowLine™ assembly.

Type AA Frame / border illustrated

 Optional ID Inlet Damper


Face Operated

Notes:

- Material: Heavy duty extruded aluminum frame and spacers. Corrosion resistant steel pattern controllers and plenum.
- The FTV Supply Series are modular units complete with factory mounted engineered plenum for lay-in T-Bar application. Units are supplied with flat end caps.
- Adjustable pattern controllers on 24" (610) centers.
- Standard finish is AW Appliance White baked enamel on exposed frames with black pattern controllers and interior surfaces.

Options:

-
- SP Special Finish _____

SCHEDULE TYPE
PROJECT
ENGINEER
CONTRACTOR

 Page 2 of 2
 Dimensions are in inches (mm).

DATE
B SERIES
SUPERSEDES
DRAWING NO.

6 - 17 - 16

FL

10 - 19 - 15

FTV-1