

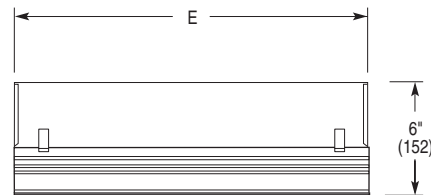
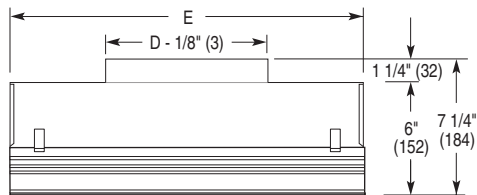
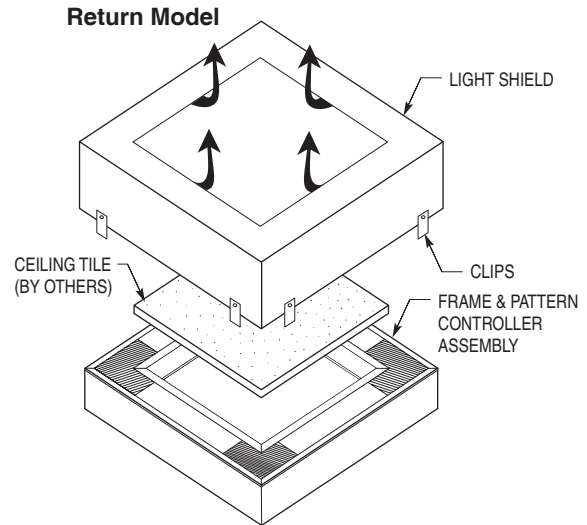
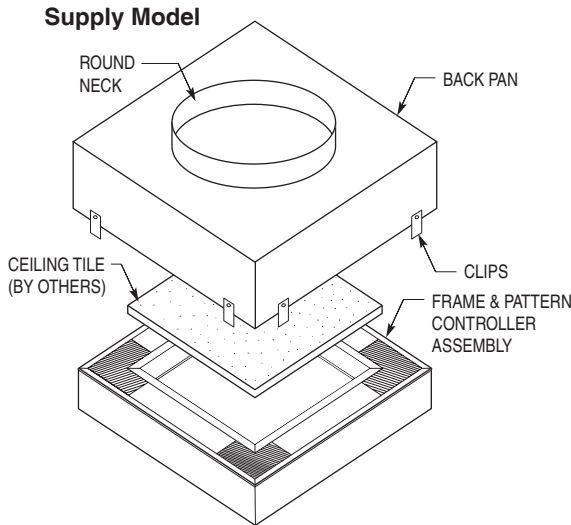


MODULAR FLOWLINE™ SQUARE CEILING DIFFUSER
COMPLIMENTS FLOWLINE™ LINEAR DIFFUSER SYSTEM
1" (25) SLOT • BOLT SLOT (FINELINE™) T-BAR
MODEL SERIES: FMB(I)10 AND FMBR10

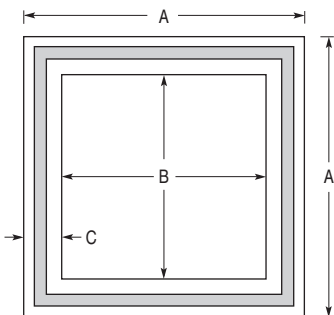
Models:

- FMB10** • Supply • 1" (25) Slot • Round Neck • Uninsulated
- FMBI10** • Supply • 1" (25) Slot • Round Neck • Internal Insulation
- FMBR10** • Return • 1" (25) Slot

Standard Ceiling Module (CM) Sizes:
Imperial 24" x 24" (610 x 610) • Metric 600 x 600mm



Face View



Ceiling Tile Cutting Dimensions

Models	Border Type	Imperial Module 24" x 24" (610 x 610)	Metric Module 600 x 600 mm
FMB(I)10, FMBR10	AG	17 5/8 x 17 5/8 (448 x 448)	438 x 438

Dimensional Data:

Models	Imperial Module 24 x 24 (610 x 610)				Metric Module 600 x 600 mm			
	A	B	C	E	A	B	C	E
FMB(I)10, FMBR10	23 3/8 (594)	17 1/16 (433)	3 5/32 (80)	23 3/8 (594)	584	423	80	584

Standard Round Inlet Sizes (Supply Units): (Nominal D Diameter) 6" (152), 8" (203), 10" (254).

Description:

- Extruded aluminum construction with corrosion resistant steel pattern controllers.
- Factory precision welding on all mitered corners.
- Pattern controllers are individually adjustable for horizontal or vertical discharge air patterns.
- Can be field adjusted for one, two, three or four-way blow direction air patterns.
- Adjustable dual pattern controller design permits both dampering and full shut-off without adding blank-offs.
- Supply diffusers have a round neck for flexible or hard duct connection.
- Matching return air units for ductless plenum return applications incorporate a light shield to block out light and prevent see-through.
- Plenum is secured with steel S-clips and is easily removed for installation of a field-cut ceiling tile (by others) into the face of the diffuser.
- Standard finish is AW Appliance White face with black pattern controllers. Other finishes are available.

SCHEDULE TYPE:

PROJECT:

ENGINEER:

CONTRACTOR:

Page 1 of 2
 Dimensions are in inches (mm).

DATE

B SERIES

SUPERSEDES

DRAWING NO.

3 - 30 - 21

FM

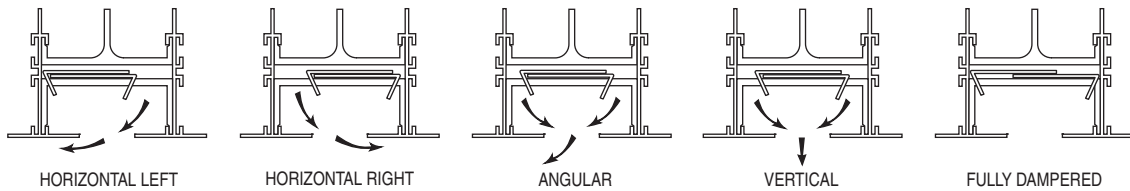
1 - 11 - 11R

FMB10-1

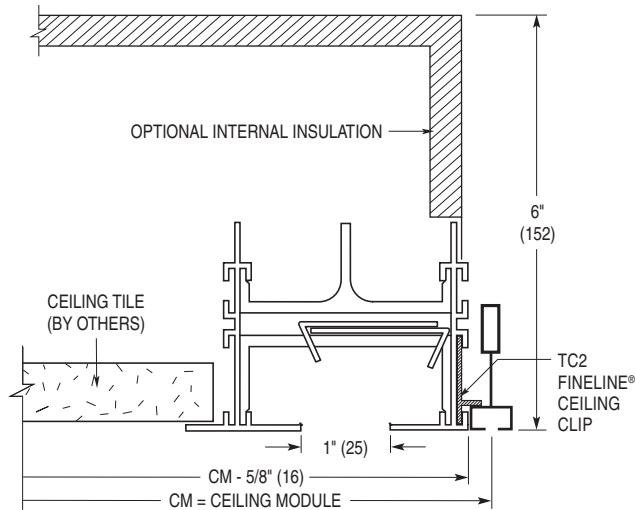


MODULAR FLOWLINE™ SQUARE CEILING DIFFUSER
 COMPLIMENTS FLOWLINE™ LINEAR DIFFUSER SYSTEM
 1" (25) SLOT • BOLT SLOT (FINELINE™) T-BAR
 MODEL SERIES: FMB(I)10 AND FMBR10

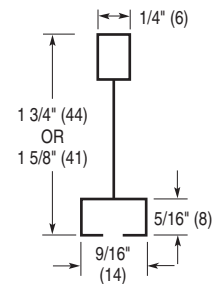
FM Series Horizontal High Throw Adjustment



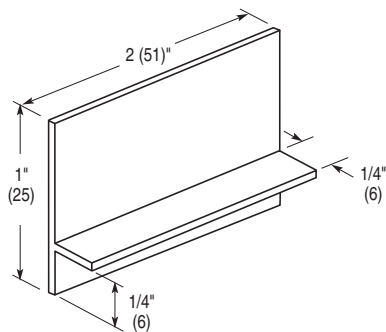
Standard Mounting Style
Bolt-Slot (Fineline® Type) Ceiling • Type AG Frame



Typical Bolt-Slot (Fineline® Type) T-Bar Detail

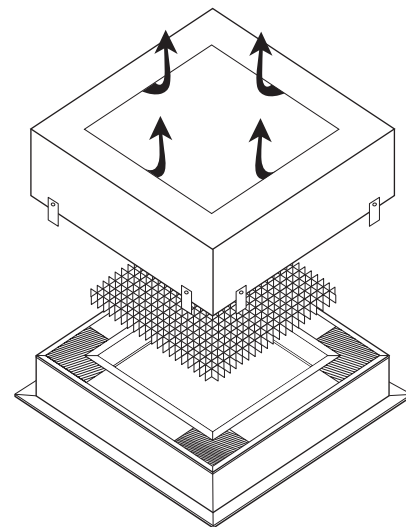


TC2 Fineline® T-Bar Clip
 (Standard)



The TC2 Fineline™ T-Bar Clips are used to support and level the FlowLine™ assembly in Bolt Slot (Fineline™ type) suspension systems.

High Capacity Return (Optional)
 1/2" x 1/2" x 1/2" (13 x 13 x 13) Aluminum Grid Face



*Fineline® is a registered trademark of USG Interiors Inc.

SCHEDULE TYPE:

PROJECT:

ENGINEER:

CONTRACTOR:

DATE	B SERIES	SUPERSEDES	DRAWING NO.
3 - 30 - 21	FM	1 - 11 - 11R	FMB10-1

Page 2 of 2
 Dimensions are in inches (mm).