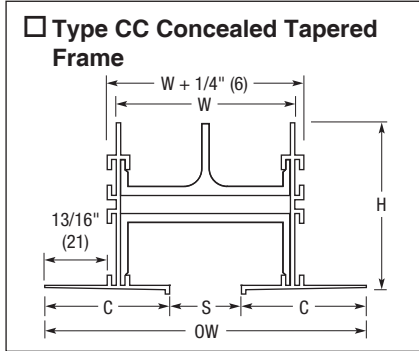
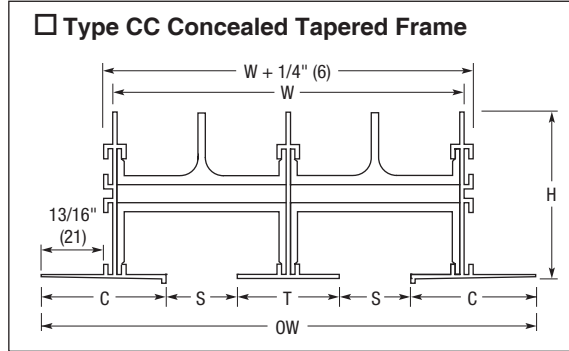


CONCEALED SURFACE MOUNT APPLICATION • DRYWALL (CEILING/WALL) TAPE & SPACKLE

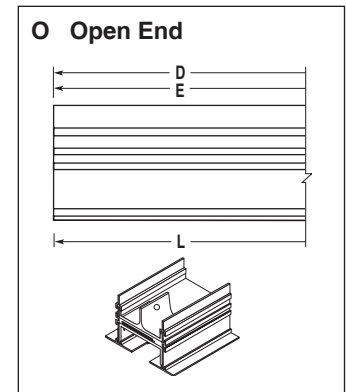
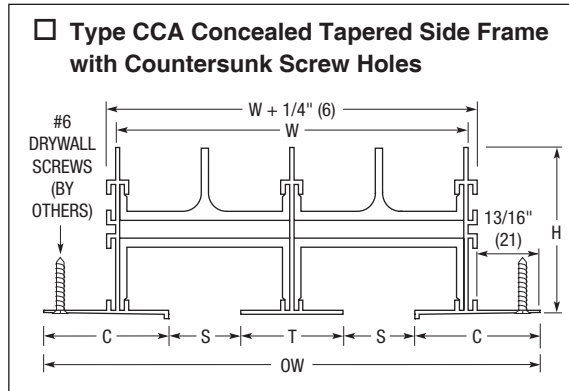
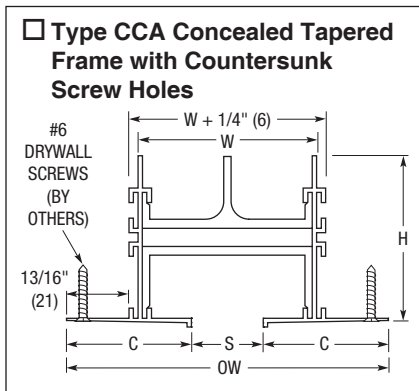
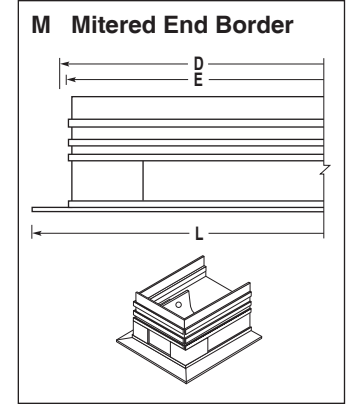
One Slot



Two Slot



End Condition



Dimensional Data - Imperial (Metric) Units

Model	S Slot Width	1 Slot		2 Slot		C Border Width	H Height	T 2 Slot
		W	OW	W	OW			
FLR10	1 (25)	2 1/2 (64)	4 3/8 (111)	4 15/16 (125)	6 13/16 (173)	1 11/16 (43)	2 3/8 (60)	1 7/16 (37)
FLR15	1 1/2 (38)	3 1/2 (89)	5 3/8 (137)	6 15/16 (176)	8 13/16 (224)	1 15/16 (49)	2 5/8 (67)	1 15/16 (49)
FLR20	2 (51)	4 1/2 (114)	6 3/8 (162)	8 15/16 (227)	10 13/16 (275)	2 3/16 (56)	2 7/8 (73)	2 7/16 (62)
FLR25	2 1/2 (64)	5 1/2 (140)	7 3/8 (187)	10 15/16 (278)	12 13/16 (325)	2 7/16 (62)	3 1/8 (79)	2 15/16 (75)
FLR30	3 (76)	6 1/2 (165)	8 3/8 (213)	12 15/16 (329)	14 13/16 (376)	2 11/16 (68)	3 3/8 (86)	3 7/16 (87)

Notes:

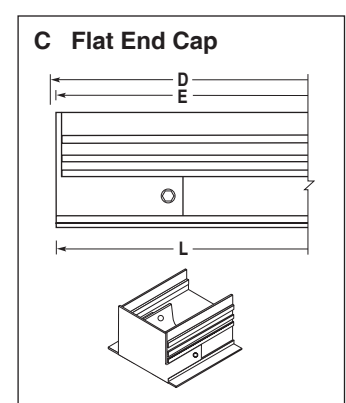
- Material: Heavy duty extruded aluminum frame and spacers.
- Maximum section length is 72" (1823) by default. 96" (2438) and 120" (3048) are available as options. Lengths longer than the maximum section length are furnished in multiple sections with alignment strips, the number and size determined by the factory.
- MI Mill finish is standard on frame/border CC with an AW Appliance White center tee on the 2 slot model. Interior surfaces are black.
- Type CC and CCA have integral hanger brackets on 24" (610) centers. See separate submittal for Type CC optional mounting hardware and accessories.

Options:

SP Special Finish _____.

Overall Length and End Cap Position

	E	L
<input type="checkbox"/> MM	D - 1/4 (6)	D + 1 3/8 (35)
<input type="checkbox"/> MO	D - 1/8 (3)	D + 11/16 (17)
<input type="checkbox"/> MC	D - 1/16 (2)	D + 3/4 (19)
<input type="checkbox"/> OO	D	D
<input type="checkbox"/> OC	D - 1/16 (2)	D - 1/16 (2)
<input type="checkbox"/> CC	D - 1/8 (3)	D - 1/8 (3)



SCHEDULE TYPE

PROJECT

ENGINEER

CONTRACTOR

Page 1 of 2
 Dimensions are in inches (mm).

DATE

B SERIES

SUPERSEDES

DRAWING NO.

12 - 19 - 22

FL

3 - 3 - 22

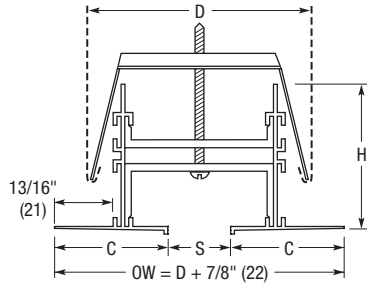
FLR-2



FLOWLINE™ LINEAR SLOT DIFFUSERS
ARCHITECTURAL • ALUMINUM
RETURN (NO PATTERN CONTROLLERS)
MODEL SERIES: FLR TYPES CC, CCA, CCC & CCCA

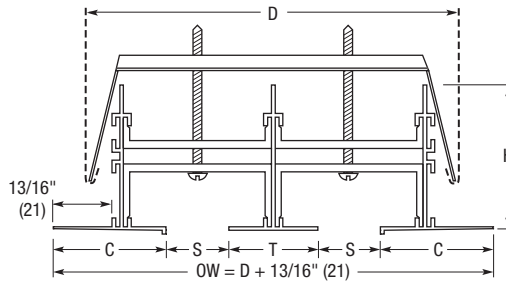
One Slot

Type CCC Concealed Tapered Frame with Concealed Mounting Brackets



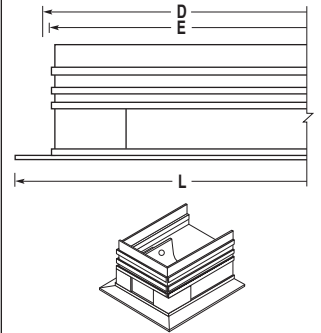
Two Slot

Type CCC Concealed Tapered Side Frame with Concealed Mounting Brackets

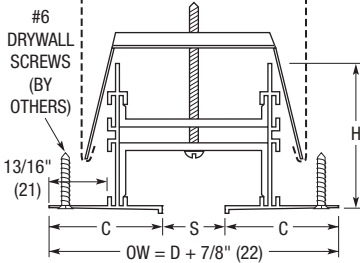


End Condition

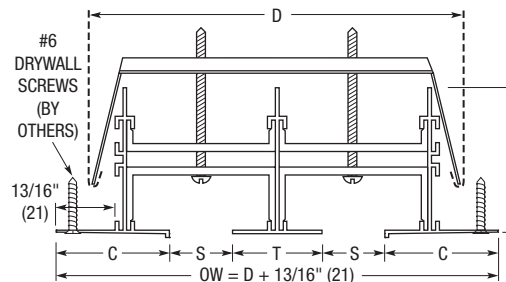
M Mitered End Border



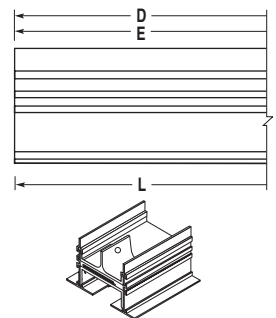
Type CCCA Concealed Tapered Frame with Concealed Mounting Brackets & Countersunk Screw Holes



Type CCCA Concealed Tapered Side Frame with Concealed Mounting Brackets & Countersunk Screw Holes



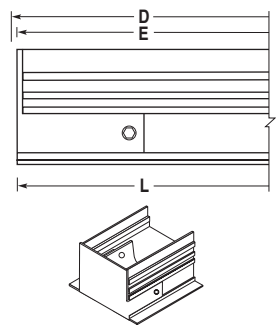
O Open End



Dimensional Data - Imperial (Metric) Units

Model	S Slot Width	D Duct Width		C Border Width	H Height	T 2 Slot	Ceiling Opening Width	
		1 Slot	2 Slot				1 Slot	2 Slot
FLR10	1 (25)	3 1/2 (89)	6 (152)	1 11/16 (43)	2 3/8 (60)	1 7/16 (37)	3 (76)	5 1/2 (140)
FLR15	1 1/2 (38)	4 1/2 (114)	8 (203)	1 15/16 (49)	2 5/8 (67)	1 15/16 (49)	4 (102)	7 1/2 (191)
FLR20	2 (51)	5 1/2 (140)	10 (254)	2 3/16 (56)	2 7/8 (73)	2 7/16 (62)	5 (127)	9 1/2 (241)
FLR25	2 1/2 (64)	6 1/2 (165)	12 (305)	2 7/16 (62)	3 1/8 (79)	2 15/16 (75)	6 (152)	11 1/2 (292)
FLR30	3 (76)	7 1/2 (191)	14 (356)	2 11/16 (68)	3 3/8 (86)	3 7/16 (87)	7 (178)	13 1/2 (343)

C Flat End Cap



Notes:

- Material: Heavy duty extruded aluminum frame and spacers.
- Maximum section length is 72" (1823) by default. 96" (2438) and 120" (3048) are available as options. Lengths longer than the maximum section length are furnished in multiple sections with alignment strips, the number and size determined by the factory.
- MI Mill finish is standard on frame/borders CCC and CCCA with an AW Appliance White center tee on the 2 slot model. Interior surfaces are black.
- Types CCC and CCCA are supplied with concealed mounting brackets and leveling screws on 24" (610) centers. See separate submittal for accessories.

Overall Length and End Cap Position

	E	L
<input type="checkbox"/> MM	D - 1/4 (6)	D + 1 3/8 (35)
<input type="checkbox"/> MO	D - 1/8 (3)	D + 11/16 (17)
<input type="checkbox"/> MC	D - 1/16 (2)	D + 3/4 (19)
<input type="checkbox"/> OO	D	D
<input type="checkbox"/> OC	D - 1/16 (2)	D - 1/16 (2)
<input type="checkbox"/> CC	D - 1/8 (3)	D - 1/8 (3)

Options:

SP Special Finish _____.

SCHEDULE TYPE		Page 2 of 2 Dimensions are in inches (mm).			
PROJECT					
ENGINEER	DATE	B SERIES	SUPERSEDES	DRAWING NO.	
CONTRACTOR	12 - 19 - 22	FL	3 - 3 - 22	FLR-2	