



CURVED FLOWLINE™ LINEAR SLOT DIFFUSERS
 ARCHITECTURAL • ALUMINUM
 CUSTOM LINEAR CURVING – CURVED PLENUMS
 MODEL SERIES: FLP

Type of Plenum Required:

- A. VEX Convex Face Curve
- B. CAV Concave Face Curve
- C. FLT / IC Flat Face Curve, Inlet on Inside Curve
- D. FLT / OC Flat Face Curve, Inlet on Outside Curve
- E. No Plenum is required (or by others)

Plenum Attachment Method:

- A. Type C Hemmed Leg for Concealed Mounting Brackets.
For use with Frame / Border Types AAC, CCC and CCCA.
 - B. Straight Leg for Direct Attachment to Curved Flowline®.
For use with Frame / Border Types AA, CC, CCA and GG.
- See catalog page and submittal drawing FLP-1 for description.

Inlet Size:

- | | |
|--|------------------------------------|
| 1 Slot | 2 Slot |
| <input type="checkbox"/> 6" Round | <input type="checkbox"/> 6" Round |
| <input type="checkbox"/> 8" Round | <input type="checkbox"/> 8" Round |
| <input type="checkbox"/> 10" Flat Oval | <input type="checkbox"/> 10" Round |
| <input type="checkbox"/> 12" Flat Oval | <input type="checkbox"/> 12" Round |
| <input type="checkbox"/> 14" Flat Oval | <input type="checkbox"/> 14" Round |

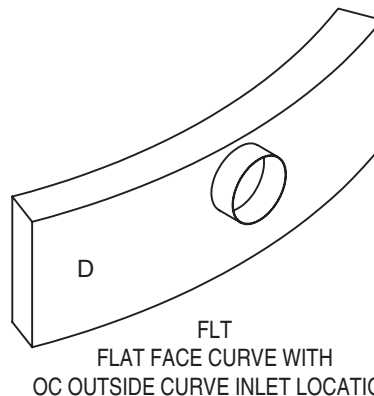
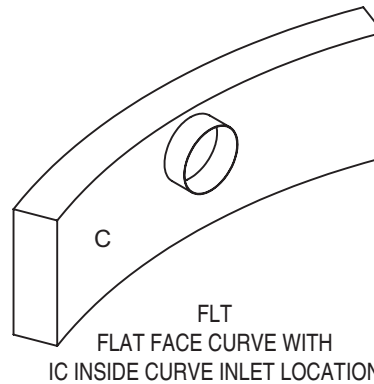
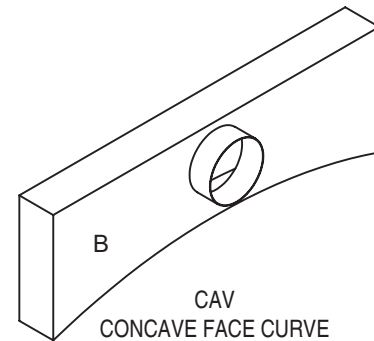
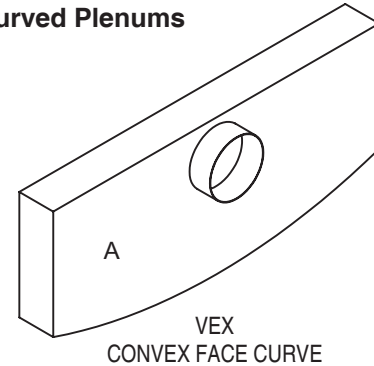
Notes:

- All curved Flowline® and curved plenums are custom engineered products. Information supplied on this submittal form is used to prepare fabrication drawings. These drawings require written customer approval prior to their release for production.
- Maximum single section curved length is 120" (3048). Longer lengths are furnished in multiple sections with alignment strips, the number and size determined by factory.
- Adjustable pattern controllers may be on less than 24" (610) centers, as required by the radius, determined by factory.

Curved Plenum Minimum Radius:

Model	Flat Face		Concave & Convex	
	1 Slot	2 Slot	1 Slot	2 Slot
FLP (I) 10	30" (762)	30" (762)		
FLP (I) 15	30" (762)	30" (762)		
FLP (I) 20	60" (1524)	60" (1524)	60" (1524)	60" (1524)
FLP (I) 25	60" (1524)	60" (1524)		
FLP (I) 30	60" (1524)	60" (1524)		

Curved Plenums



SCHEDULE TYPE

PROJECT

ENGINEER

CONTRACTOR

Dimensions are in inches (mm).

DATE

B SERIES

SUPERSEDES

DRAWING NO.

1 - 30 - 20

FL

11 - 12 - 18

FLPC