



FLOWLINE™ LINEAR SLOT DIFFUSERS
ACCESSORIES
SUPPLY AIR ENGINEERED PLENUMS
MODEL SERIES: FLP

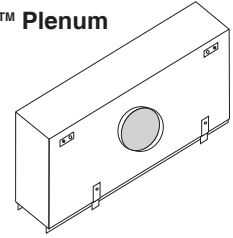
Uninsulated Models:

- FLP10 • 1" (25) Slot
- FLP15 • 1 1/2" (38) Slot
- FLP20 • 2" (51) Slot
- FLP25 • 2 1/2" (64) Slot
- FLP30 • 3" (76) Slot

Internally Insulated Models:

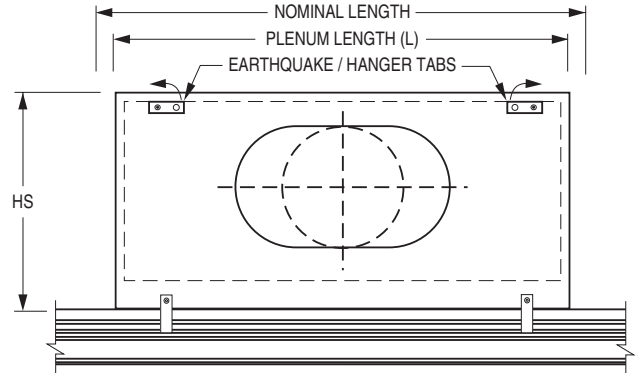
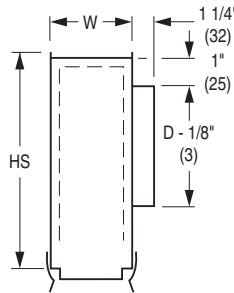
- FLPI10 • 1" (25) Slot
- FLPI15 • 1 1/2" (38) Slot
- FLPI20 • 2" (51) Slot
- FLPI25 • 2 1/2" (64) Slot
- FLPI30 • 3" (76) Slot

Flowline™ Plenum



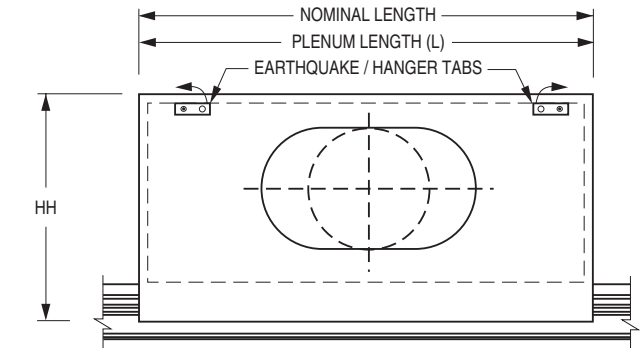
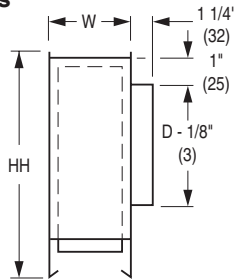
- Straight Leg (Direct Attachment)**
 For use with Frame / Border Types
**AA, CA, CC, CCA, CG, GG, GJ,
 KK, LT, NT**

Plenum Height (HS):
 One Slot 10" (254)
 Two Slot 16" (406)



- Hemmed Leg (For concealed mounting bracket)**
 For use with Frame / Border Types
AAC, CCC, CCCA

Plenum Height (HH):
 One Slot 12" (305)
 Two Slot 18" (457)



Dimensional Data

Nominal Length	Actual Plenum Length (L) for Frame/Border Type		Available Inlet Sizes D	
	AA, CA, CC, CCA, CG, GG, GJ, KK, LT, NT	AAC, CCC, CCCA	1 Slot	2 Slot
24 (610)	20 3/4 (527)	24 (610)	6 (152), 8 (203)	6 (152), 8 (203), Round
30 (762)	26 3/4 (679)	30 (762)	10 (254), 12 (305), 14 (356)	10 (254), 12 (305), 14 (356), Round
36 (914)	32 3/4 (832)	36 (914)	14 (356)	14 (356), Round
48 (1219)	44 3/4 (1137)	48 (1219)	Flat Oval*	Flat Oval*
60 (1524)	56 3/4 (1441)	60 (1524)		
72 (1829)	68 3/4 (1746)	72 (1829)		

Plenum Model	Width (W) for Frame/Border Type Noted			
	AA, CA, CC, CCA, CG, GG, GJ, KK, LT, NT		AAC, CCC, CCCA	
	1 Slot	2 Slot	1 Slot	2 Slot
FLP(I)10	2 3/4 (70)	5 3/16 (132)	3 1/2 (89)	5 15/16 (151)
FLP(I)15	3 3/4 (95)	7 3/16 (183)	4 1/2 (114)	7 15/16 (202)
FLP(I)20	4 3/4 (121)	9 3/16 (233)	5 1/2 (140)	9 15/16 (252)
FLP(I)25	5 3/4 (146)	11 3/16 (284)	6 1/2 (165)	11 15/16 (303)
FLP(I)30	6 3/4 (171)	13 3/16 (335)	7 1/2 (191)	13 15/16 (354)

* **Equivalent Oval:** 10" (254) = 11" x 7 7/8" (279 x 200); 12" (305) = 14 1/8" x 7 7/8" (359 x 200); 14" (356) = 17 5/16" x 7 7/8" (440 x 200).

Notes:

- Heavy gauge corrosion resistant steel construction.
- Earthquake tabs are standard.
- Straight leg plenums are supplied with spring clips.

Options:

- EX External Foil Back Insulation.
- ID ID Inlet damper.
- NI No Inlet.

SCHEDULE TYPE		Dimensions are in inches (mm).			
PROJECT					
ENGINEER	DATE	B SERIES	SUPERSEDES	DRAWING NO.	
CONTRACTOR	4 - 13 - 21	FL	2 - 23 - 21	FLP-1	