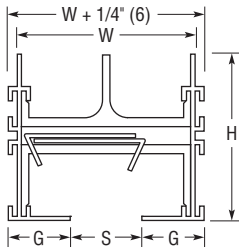




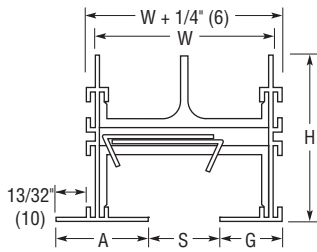
FLOWLINE™ LINEAR SLOT DIFFUSERS
ARCHITECTURAL • ALUMINUM
HORIZONTAL JET THROW PATTERN CONTROLLERS
MODEL SERIES: FLH TYPES GG & AG

One Slot

- Type GG Flangeless Frame**
- Drywall (ceiling, wall)

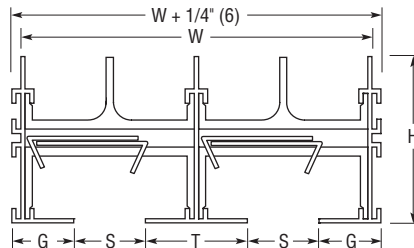


- Type AG Flange / Flangeless Frame**
- Drywall (ceiling, wall)

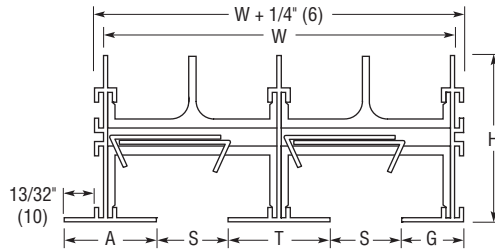


Two Slot

- Type GG Flangeless Frame**
- Drywall (ceiling, wall)

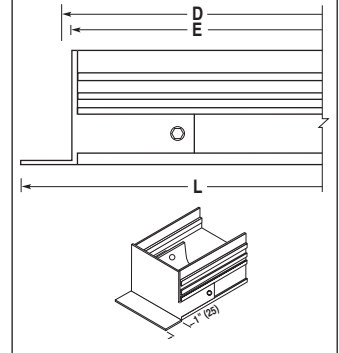


- Type AG Flange / Flangeless Frame**
- Drywall (ceiling, wall)

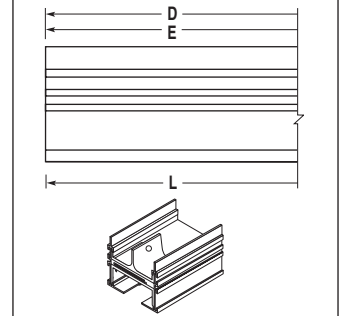


End Condition

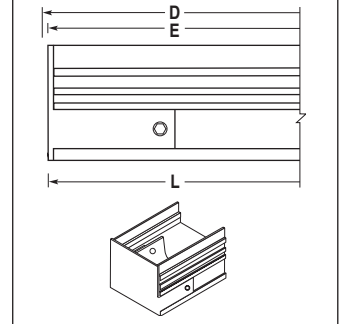
- F Flanged End Cap**



- O Open End**



- C Flat End Cap**



Dimensional Data - Imperial (Metric) Units

Model	S Slot Width	1 Slot W	2 Slot W	A Border Width	G Border Width	H Height	T 2 Slot
FLH10	1 (25)	2 1/2 (64)	4 15/16 (125)	1 9/32 (33)	7/8 (22)	2 3/8 (60)	1 7/16 (37)
FLH15	1 1/2 (38)	3 1/2 (89)	6 15/16 (176)	1 17/32 (39)	1 1/8 (29)	2 5/8 (67)	1 15/16 (49)
FLH20	2 (51)	4 1/2 (114)	8 15/16 (227)	1 25/32 (45)	1 3/8 (35)	2 7/8 (73)	2 7/16 (62)
FLH25	2 1/2 (64)	5 1/2 (140)	10 15/16 (278)	2 1/32 (52)	1 5/8 (41)	3 1/8 (79)	2 15/16 (75)
FLH30	3 (76)	6 1/2 (165)	12 15/16 (329)	2 9/32 (58)	1 7/8 (48)	3 3/8 (86)	3 7/16 (87)

Notes:

- Material: Heavy duty extruded aluminum frame and spacers. Corrosion resistant steel pattern controllers.
- Maximum section length is 72" (1823) by default. 96" (2438) and 120" (3048) are available as options. Lengths longer than the maximum section length are furnished in multiple sections with alignment strips, the number and size determined by the factory.
- Adjustable pattern controllers are on 24" (610) centers.
- Standard finish is AW Appliance White baked enamel on exposed frames with black pattern controllers and interior surfaces.
- Integral hanger brackets on 24" (610) centers. See separate submittal for optional mounting hardware and accessories.

Overall Length and End Cap Position

	E	L
<input type="checkbox"/> 00	D	D
<input type="checkbox"/> 0C	D - 1/16 (2)	D - 1/16 (2)
<input type="checkbox"/> CC	D - 1/8 (3)	D - 1/8 (3)
<input type="checkbox"/> FF	D - 1/4 (6)	D + 1 5/8 (41)
<input type="checkbox"/> FO	D - 1/8 (3)	D + 13/16 (21)
<input type="checkbox"/> FC	D - 1/16 (2)	D + 7/8 (22)

Options:

- SP Special Finish _____.

SCHEDULE TYPE

PROJECT

ENGINEER

CONTRACTOR

Dimensions are in inches (mm).

DATE

B SERIES

SUPERSEDES

DRAWING NO.

3 - 3 - 22

FL

2 - 16 - 10

FLH-3