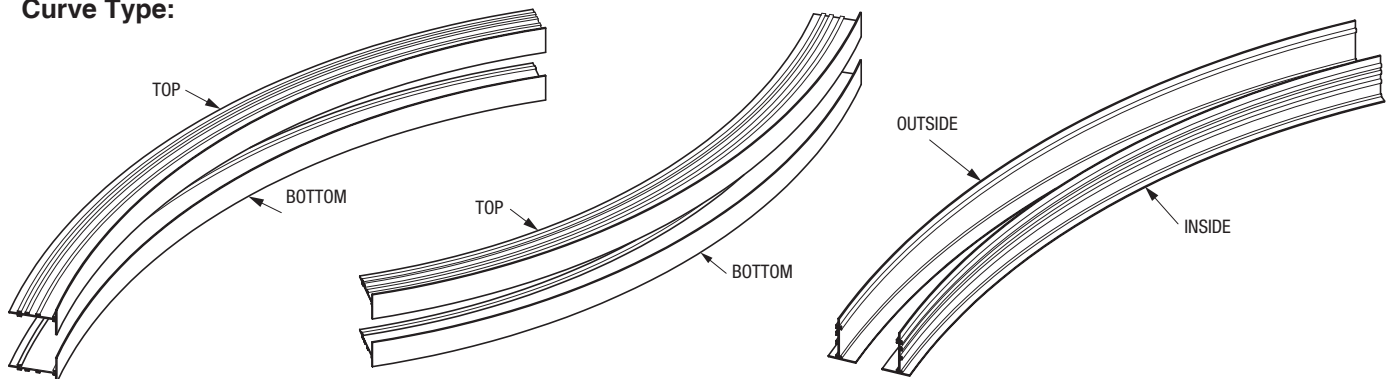




CURVED FLOWLINE™ LINEAR SLOT DIFFUSERS
 ARCHITECTURAL • ALUMINUM
 CUSTOM LINEAR CURVING – BASIC FLOWLINE® DATA
 MODEL SERIES: FLH, FLV AND FLR

Curve Type:



- CAV Concave Face Curve
 VEX Convex Face Curve
 FLT Flat Face (Web) Curve

Flowline® Slot Width & Type:

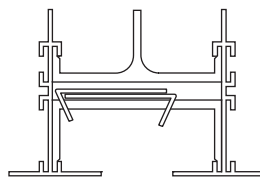
- FL10, 1" (25) Slot Width 1 Slot
 FL15, 1 1/2" (38) Slot Width 2 Slot
 FL20, 2" (51) Slot Width
 FL25, 2 1/2" (64) Slot Width
 FL30, 3" (76) Slot Width

Flowline® Application:

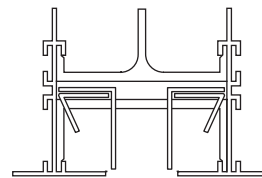
- FLT Flat Curve, Ceiling
 CAV Concave Wall / Ceiling
 VEX Convex Wall / Ceiling

Pattern Controller Type:

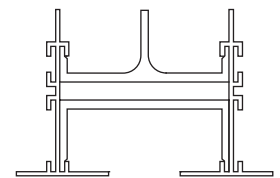
- FLH Horizontal High Throw
 FLV Vertical Jet Throw
 (May not be adjustable).
 Please note that as radius decreases,
 pattern controllers are less adjustable.
 FLR Return (No Pattern Controller)



FLH Horizontal High Throw



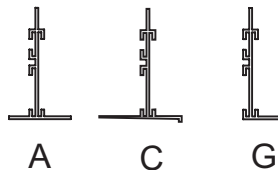
FLV Vertical Jet Throw



FLR Return

Frame / Border Type:

- AA Exposed Flange Frame
 AAC Exposed Flange Frame with concealed mounting brackets
 CC Concealed Tapered Frame
 CCA Concealed Tapered Frame with countersunk screw holes
 CCC Concealed Tapered Frame with concealed mounting brackets
 CCCA Concealed Tapered Frame with concealed mounting brackets and countersunk screw holes
 GG Flangeless Frame



End Cap Configuration:

Frame/Border Types AA, AAC & GG only:

- FF Flanged Flanged
 FO Flanged Open
 FC Flanged Flat Cap

All Frame/Border Types:

- OO Open Open
 OC Open Flat Cap
 CC Flat Cap Flat Cap

(Mitered end cap not available with curved product).

SCHEDULE TYPE

PROJECT

ENGINEER

CONTRACTOR

Page 1 of 3
 Dimensions are in inches (mm).

DATE

B SERIES

SUPERSEDES

DRAWING NO.

5 - 20 - 22

FL

11 - 19 - 18

FLCC



CURVED FLOWLINE™ LINEAR SLOT DIFFUSERS
ARCHITECTURAL • ALUMINUM
CUSTOM LINEAR CURVING – CURVING DATA
MODEL SERIES: FLH, FLV AND FLR

Location of Radius Measured Dimension:

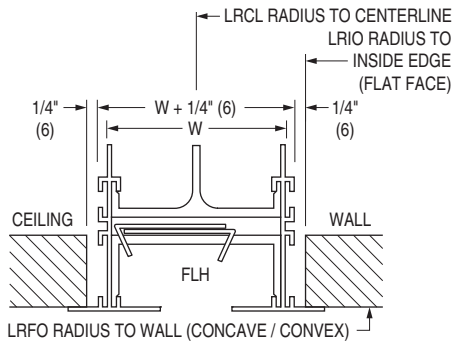
FLT Flat Face Curve:

- LRIO Inside edge of opening
- LRCL Centerline of opening

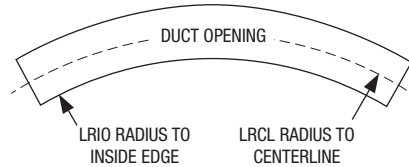
CAV / VEX Concave/Convex Curve:

- LRFO Face of opening

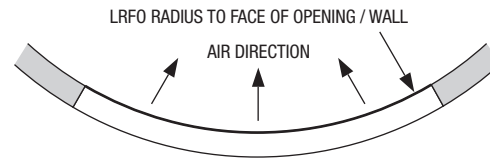
Radius: _____ inches



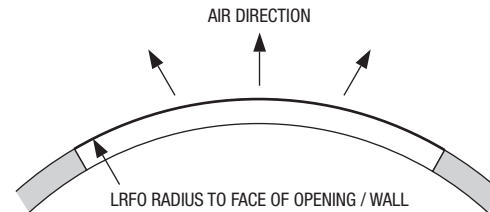
FLT Flat Face Curve, 1 or 2 Slot (1 Slot shown)



CAV Concave Face Curve



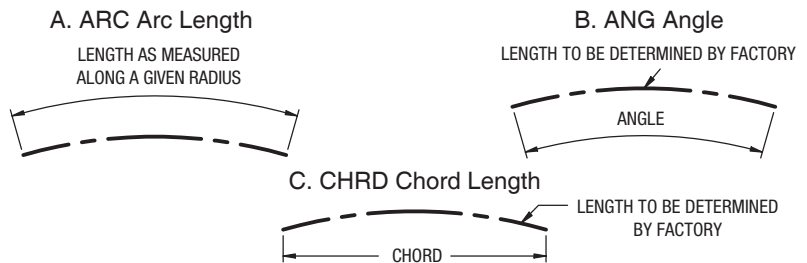
VEX Convex Face Curve



Length of the Arc, or the Angle:

- A. ARC Length: _____ inches
- B. ANG Angle: _____ degrees,
- C. CHR D Chord: _____ inches

Length or Angle refers to the slot length. It doesn't include end caps or borders.



Minimum Radius:

Models	Slot Width	Flat Face				Concave & Convex	
		Frame Types AA & GG		Frame Type CC		Frame Types AA, CC & GG	
		1 Slot	2 Slot	1 Slot	2 Slot	1 Slot	2 Slot
FLH10, FLV10, FLR10	1" (25)	30" (762)	30" (762)	40" (1016)	40" (1016)	60" (1524)	60" (1524)
FLH15, FLV15, FLR15	1 1/2" (38)	30" (762)	30" (762)	40" (1016)	40" (1016)	60" (1524)	60" (1524)
FLH20, FLV20, FLR20	2" (51)	60" (1524)	60" (1524)	60" (1524)	60" (1524)	60" (1524)	60" (1524)
FLH25, FLV25, FLR25	2 1/2" (64)	60" (1524)	60" (1524)	60" (1524)	60" (1524)	60" (1524)	60" (1524)
FLH30, FLV30, FLR30	3" (76)	60" (1524)	60" (1524)	60" (1524)	60" (1524)	60" (1524)	60" (1524)

SCHEDULE TYPE

PROJECT

ENGINEER

CONTRACTOR

Page 2 of 3
 Dimensions are in inches (mm).

DATE	B SERIES	SUPERSEDES	DRAWING NO.
5 - 20 - 22	FL	11 - 19 - 18	FLCC



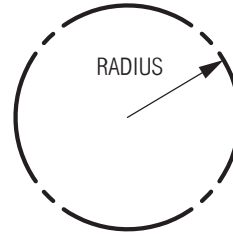
CURVED FLOWLINE™ LINEAR SLOT DIFFUSERS
 ARCHITECTURAL • ALUMINUM
 CUSTOM LINEAR CURVING – CURVED PLENUMS
 MODEL SERIES: FLH, FLV AND FLR

Full Circle:

Perimeter Length ($2 \pi r$): _____ inches

Please specify the radius:

Radius: _____ inches



Two-Radius Ellipse:

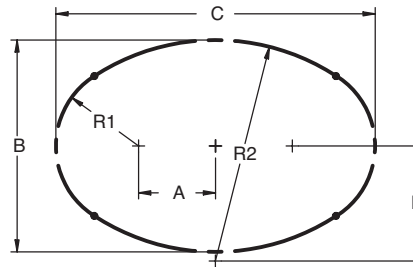
Please specify both radii:

R1: _____ inches, R2: _____ inches

Please specify the dimensions:

A: _____ inches, B: _____ inches

C: _____ inches, D: _____ inches



Serpentine:

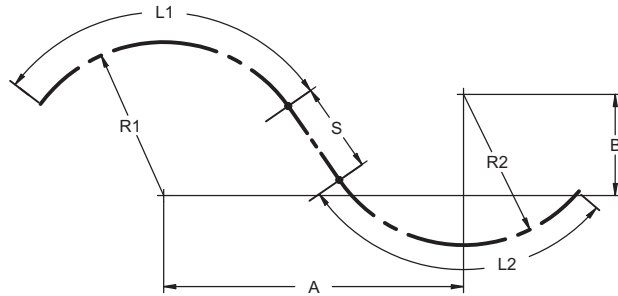
Please specify the following:

R1: _____ inches, R2: _____ inches

A: _____ inches, B: _____ inches

L1: _____ inches, L2: _____ inches

Optional Straight, S: _____ inches



SCHEDULE TYPE

PROJECT

ENGINEER

CONTRACTOR

Page 3 of 3
 Dimensions are in inches (mm).

DATE

B SERIES

SUPERSEDES

DRAWING NO.

5 - 20 - 22

FL

11 - 19 - 18

FLCC