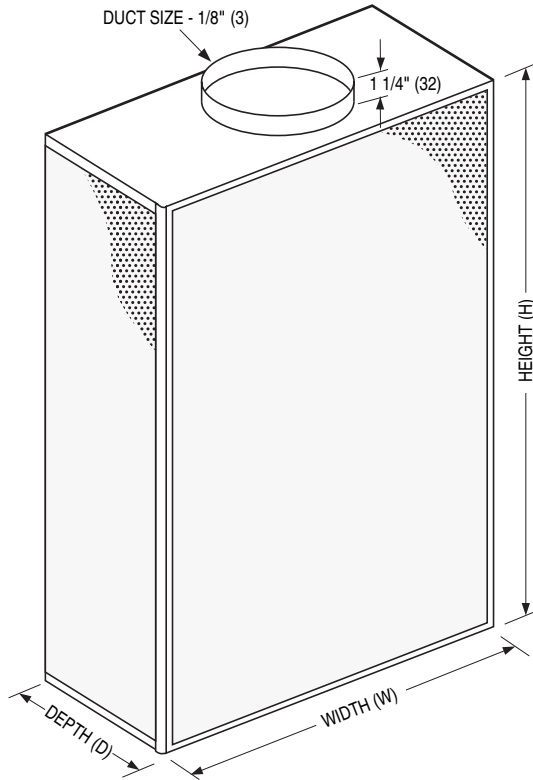




**RECTANGULAR 3-WAY DISPLACEMENT DIFFUSER
FLOOR STANDING • FLAT FACE • WALL/PILLAR
STEEL PERFORATED FACE
MODEL: DFF3**

Model DFF3 • 3-Way Discharge Air Pattern



Dimensional Data:

Unit Size (W x H)	Depth (D)	Inlet Size
24 x 24 (610 x 610) 24 x 36 (610 x 914)	13 (330)	8 (203), 10 (254), 14 x 6 (356 x 152)
24 x 48 (610 x 1219) 24 x 60 (610 x 1524)	13 (330)	8 (203), 10 (254), 14 x 6 (356 x 152), 16 x 8 (406 x 203)
36 x 24 (914 x 610)	13 (330)	8 (203), 10 (254), 14 x 6 (356 x 152)
	16 (406)	10 (254), 16 x 8 (406 x 203)
36 x 36 (914 x 914)	13 (330)	8 (203), 10 (254), 14 x 6 (356 x 152)
	16 (406)	10 (254), 16 x 8 (406 x 203)
36 x 48 (914 x 1219)	13 (330)	10 (254), 16 x 8 (406 x 203)
	16 (406)	10 (254), 12 (305), 18 x 8 (457 x 203)
36 x 60 (914 x 1524)	13 (330)	10 (254), 16 x 8 (406 x 203)
	16 (406)	10 (254), 12 (305), 16 x 8 (406 x 203), 18 x 8 (457 x 203), 24 x 8 (610 x 203)
48 x 24 (1219 x 610)	13 (330)	8 (203), 10 (254), 14 x 6 (356 x 152)
	16 (406)	10 (254), 14 x 6 (356 x 152), 16 x 8 (406 x 203)
48 x 36 (1219 x 914) 48 x 48 (1219 x 1219)	13 (330)	10 (254), 14 x 6 (356 x 152)
	16 (406)	10 (254), 12 (305), 16 x 8 (406 x 203), 18 x 8 (457 x 203)
48 x 60 (1219 x 1524)	13 (330)	10 (254), 14 x 6 (356 x 152)
	16 (406)	10 (254), 12 (305), 14 (356), 16 x 8 (406 x 203), 18 x 8 (457 x 203), 20 x 10 (508 x 254)
	17 (432)	10 (254)
60 x 24 (1524 x 610)	13 (330)	8 (203), 10 (254), 16 x 8 (406 x 203)
	16 (406)	10 (254), 12 (305), 14 x 6 (356 x 152), 16 x 8 (406 x 203), 18 x 8 (457 x 203)
60 x 36 (1524 x 914) 60 x 48 (1524 x 1219)	13 (330)	10 (254), 16 x 8 (406 x 203)
	16 (406)	10 (254), 12 (305), 16 x 8 (406 x 203), 18 x 8 (457 x 203), 20 x 10 (508 x 254)
	17 (432)	14 (356)

DESCRIPTION:

- Construction: Heavy gauge corrosion-resistant coated steel. Standard 18 ga. (1.3) perforated face has 3/32" (2) dia. holes on 3/16" (5) staggered centers, providing 23% free area.
- An equalization baffle is provided behind the diffuser face to ensure an even distribution of low velocity supply air.
- Floor mounted displacement diffusers are especially designed to supply air at a very low velocity to minimize the potential for drafts and enhance occupant comfort.
- Standard finish is AW Appliance White.

OPTIONS:

- Construction:
 - 16GP Heavy Duty 16 ga. (1.6) Perforated Face
- Inlet Type:
 - REC Rectangular
 - RND Round
 - FC Field Cut
- Inlet Location:
 - T Top
 - B Bottom
 - R Rear
 - LS Left Side
 - RS Right Side

4. Finish:

- AW Appliance White (default)
- AL Aluminum
- BK Black
- BW British White
- SP Special _____

5. Diffuser Base:

- DB02 2" (51) High
- DB03 3" (76) High
- DB04 4" (102) High
- DB05 5" (127) High
- DB06 6" (152) High

6. Duct Cover:

- DCP Perforated Panels
- DCS Solid Panels

7. Volume Control:

- BD Balancing Damper
- FMSD Flow Measuring Station with balancing damper (Round inlet sizes only). See separate submittal.

8. Protective Film:

- PFC Protective Film Cover on Face and Inlet

SCHEDULE TYPE:

PROJECT:

ENGINEER:

CONTRACTOR:

Dimensions are in inches (mm).

DATE

B SERIES

SUPERSEDES

DRAWING NO.

2 - 25 - 20

DFF

1 - 15 - 20

DFF3