

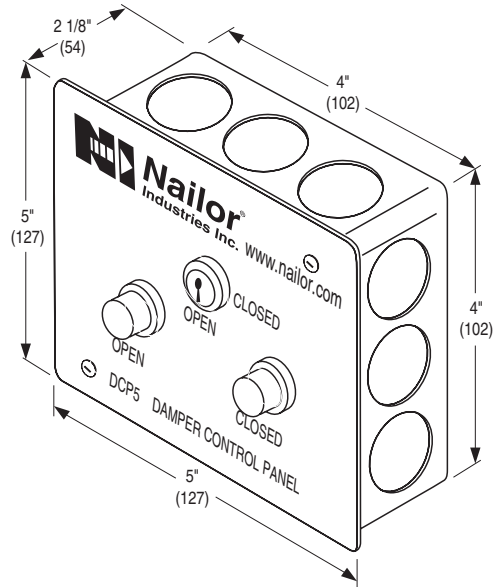


DAMPER CONTROL PANEL

FOR USE WITH COMBINATION FIRE/SMOKE DAMPERS
MODEL: DCP5 KEY TEST SWITCH WITH LIGHTS

The DCP5 is a "momentary" key switch operated control panel with indicator lights for use with all Nailor Combination Fire/Smoke Dampers. The two position spring loaded key switch provides the ability to "cycle test" the damper by turning and holding the key until the damper has cycled closed. Releasing the key re-energizes the control circuit/actuator and returns the damper to its "normal" open position. The indicator lights on the DCP5 panel provide a visual confirmation of the damper position when connected to the MLS-300 Position Indicator Package.

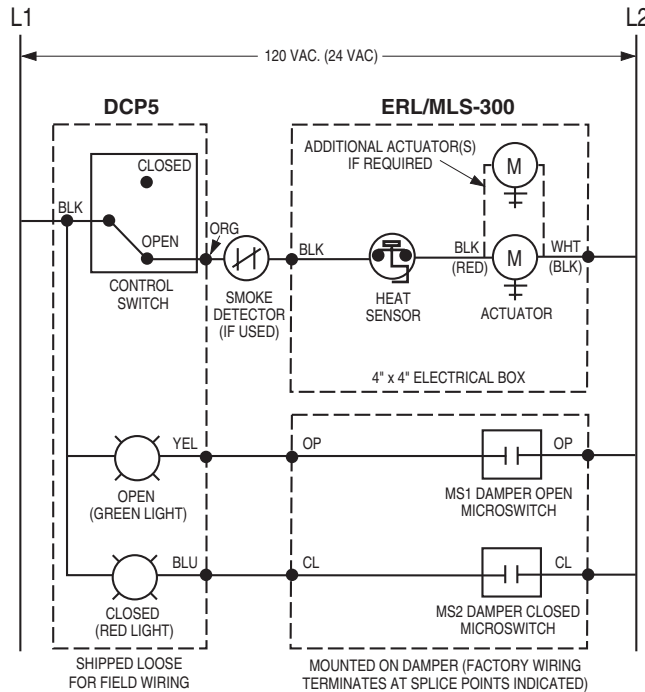
The DCP5 is shipped loose for field mounting and wiring either near the damper or in a remote location.



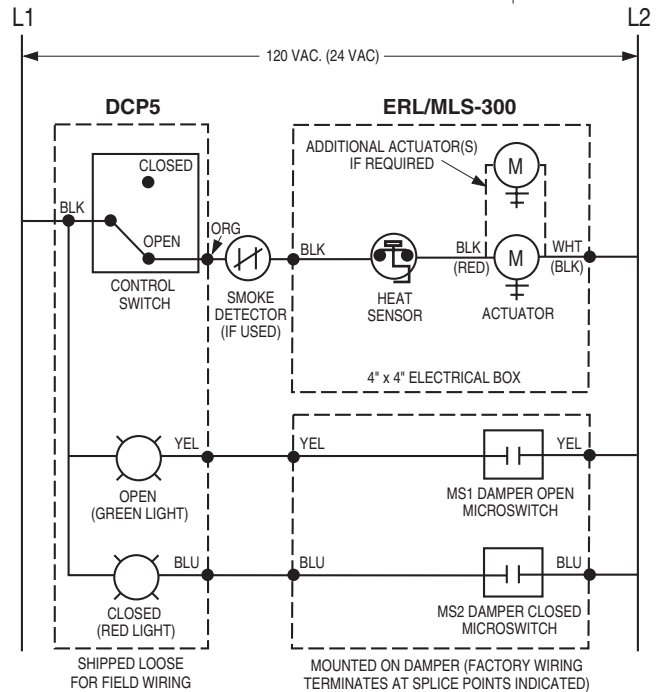
VOLTAGE:

- 120 120 VAC
- 24 24 VAC/DC
- 230 230 VAC

WIRING DIAGRAMS:



DCP5 for combination fire/smoke dampers with MLS-300 (Belimo built-in aux. switches) position indicator package



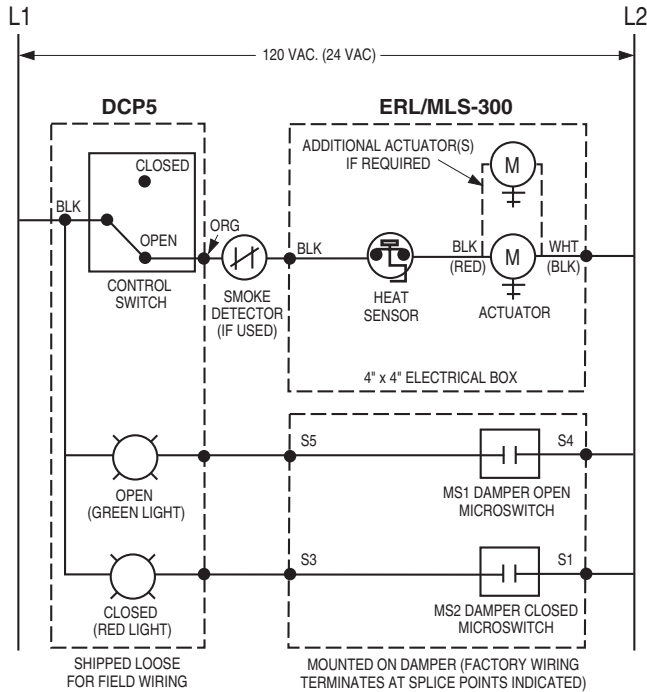
DCP5 for combination fire/smoke dampers with MLS-300 (Nailor or Honeywell built-in aux. switches) position indicator package

Belimo Actuator Aux. Switch Wiring Connections

Model Series	Open (OP)	Closed (CL)
FSTF	Orange / Gray	Violet / Red
FSLF / FSAF	Gray / Gray	Violet / Violet
FSNF / FSAFB	White S4 / S6	White S1 / S2

SCHEDULE TYPE:	Page 1 of 2 Dimensions are in inches (mm).			
PROJECT:				
ENGINEER:	DATE	B SERIES	SUPERSEDES	DRAWING NO.
CONTRACTOR:	9 - 3 - 20	FD-ACC	8 - 8 - 17	DCP5

WIRING DIAGRAMS:



DCP5 for combination fire/smoke dampers with MLS-300 Siemens GJD Series (built-in auxiliary switches) position indicator package

SCHEDULE TYPE:				
PROJECT:				
ENGINEER:	DATE	B SERIES	SUPERSEDES	DRAWING NO.
CONTRACTOR:	9 - 3 - 20	FD-ACC	8 - 8 - 17	DCP5