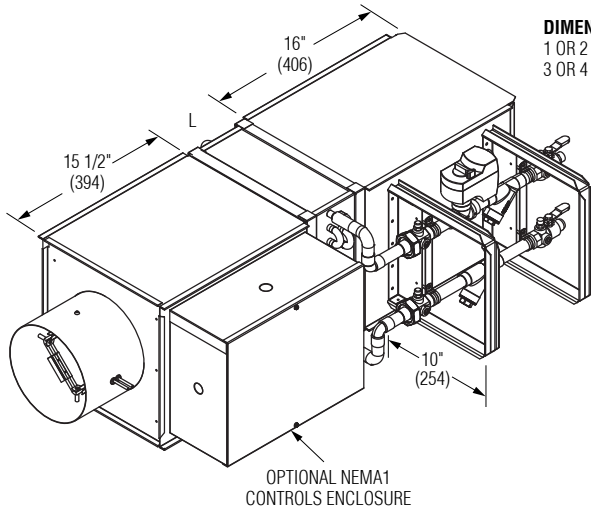




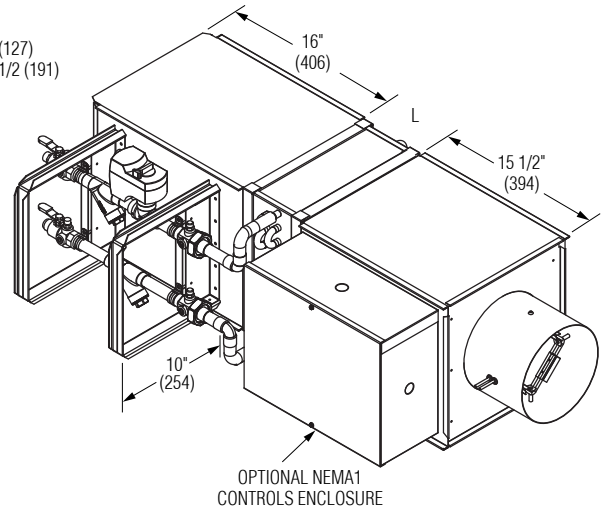
**SINGLE DUCT TERMINAL UNIT WITH
HOT WATER REHEAT
FACTORY MOUNTED VALVE / PIPING PACKAGE
ORIENTATION
MODELS: D30RW AND D31RW**

OR/VPNA
RIGHT HAND CONTROLS LOCATION &
RIGHT HAND PIPING PACKAGE (TOWARDS DISCHARGE)

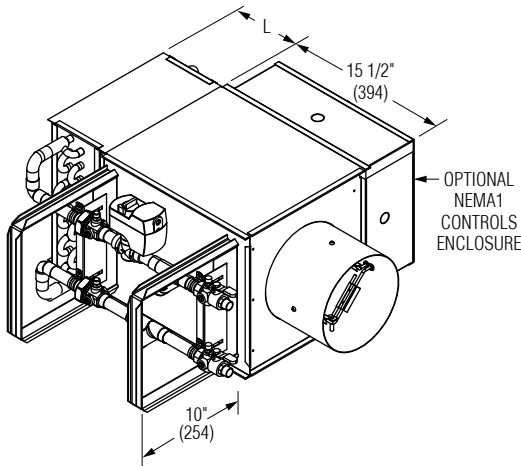


DIMENSION L:
1 OR 2 ROW COILS, L = 5" (127)
3 OR 4 ROW COILS, L = 7" 1/2 (191)

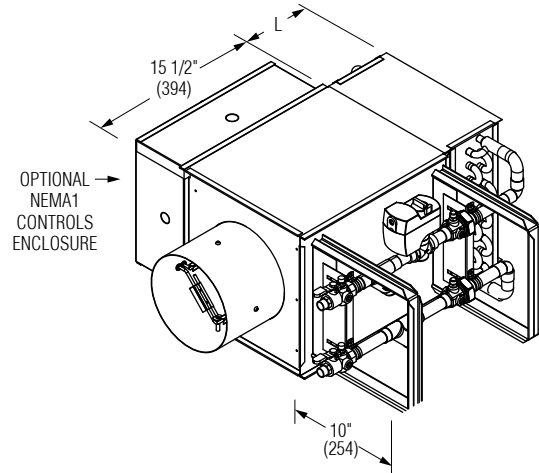
OL/VPNA
LEFT HAND CONTROLS LOCATION &
LEFT HAND PIPING PACKAGE (TOWARDS DISCHARGE)



OR/VPNI
RIGHT HAND CONTROLS LOCATION &
LEFT HAND PIPING PACKAGE (TOWARDS INLET)



OL/VPNI
LEFT HAND CONTROLS LOCATION &
RIGHT HAND PIPING PACKAGE (TOWARDS INLET)



NOTES:

1. Valve/Piping packages are factory assembled, leakage tested and shipped as shown.
2. Factory mounted valve/piping package features robust mounting hardware with integrated carrying handles.
3. Refer to terminal unit submittal for unit size dimensions.
4. 16" (406) extension provided when controls enclosure and coil handing are on the same side. Extension is internally insulated to match terminal unit liner.

SCHEDULE TYPE:	
PROJECT:	
ENGINEER:	
CONTRACTOR:	

Page 1 of 1.
Dimensions are in inches (mm).

DATE	B SERIES	SUPERSEDES	DRAWING NO.
3 - 8 - 23	3000	10 - 19 - 22	D30RWVP-1