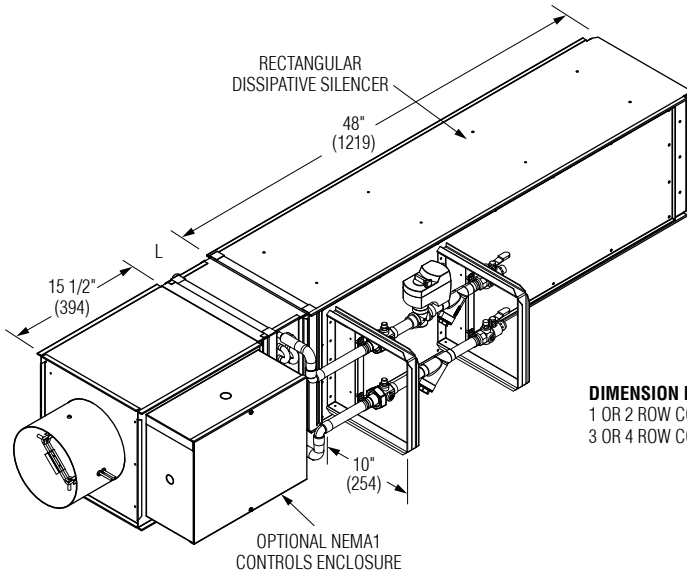


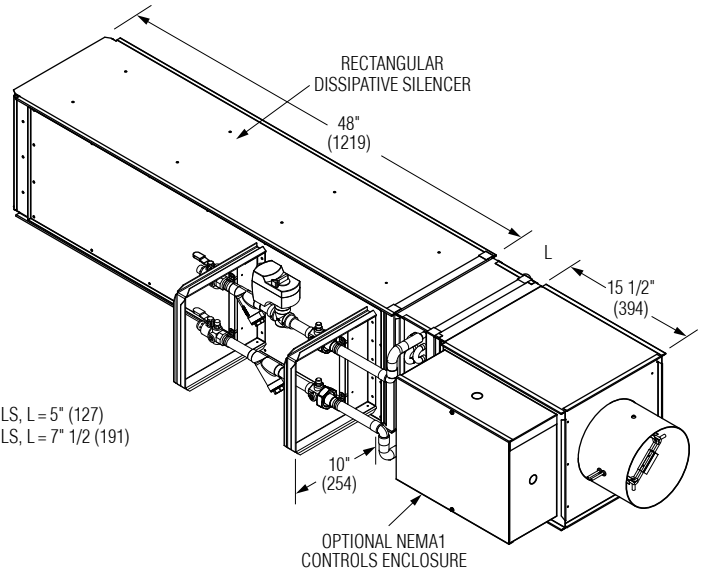


**SINGLE DUCT TERMINAL UNIT WITH
HOT WATER REHEAT
FACTORY MOUNTED VALVE /PIPING PACKAGE
ORIENTATION
MODELS: D30RWQ AND D30HQW**

OR/VPND
RIGHT HAND CONTROLS LOCATION &
RIGHT HAND PIPING PACKAGE (TOWARDS DISCHARGE)

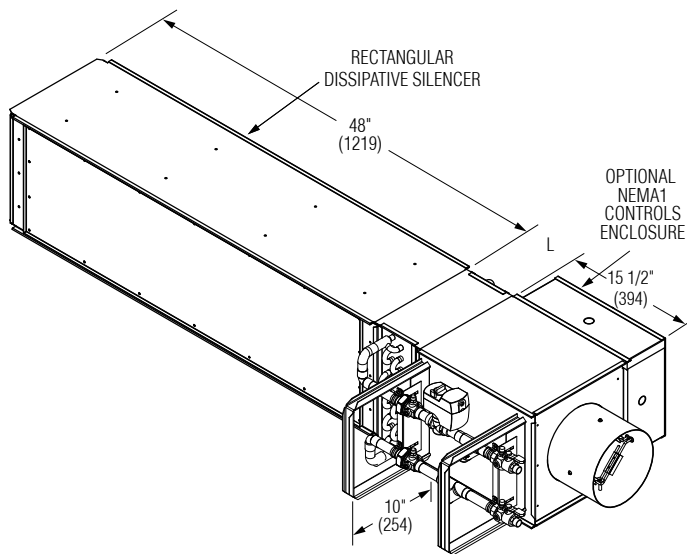


OL/VPND
LEFT HAND CONTROLS LOCATION &
LEFT HAND PIPING PACKAGE (TOWARDS DISCHARGE)

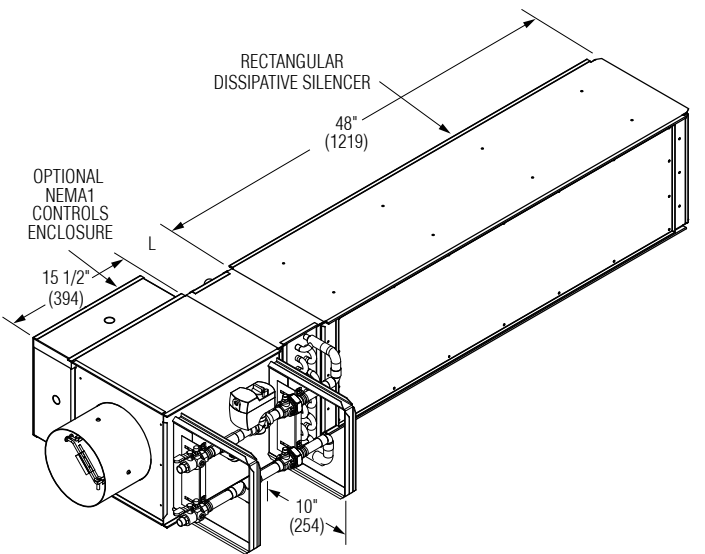


DIMENSION L:
1 OR 2 ROW COILS, L = 5" (127)
3 OR 4 ROW COILS, L = 7" 1/2 (191)

OR/VPNI
RIGHT HAND CONTROLS LOCATION &
LEFT HAND PIPING PACKAGE (TOWARDS INLET)



OL/VPNI
LEFT HAND CONTROLS LOCATION &
RIGHT HAND PIPING PACKAGE (TOWARDS INLET)



HW Coil Position:
Box/Coil/Silencer

- NOTES:**
1. Valve/Piping packages are factory assembled, leakage tested and shipped as shown.
 2. Factory mounted valve/piping package features robust mounting hardware for support and protection.
 3. Refer to terminal unit submittal for unit size dimensions.

SCHEDULE TYPE:	Page 1 of 1.			
PROJECT:	Dimensions are in inches (mm).			
ENGINEER:	DATE	B SERIES	SUPERSEDES	DRAWING NO.
CONTRACTOR:	3 - 20 - 23	3000	NEW	D30RWQVP-1