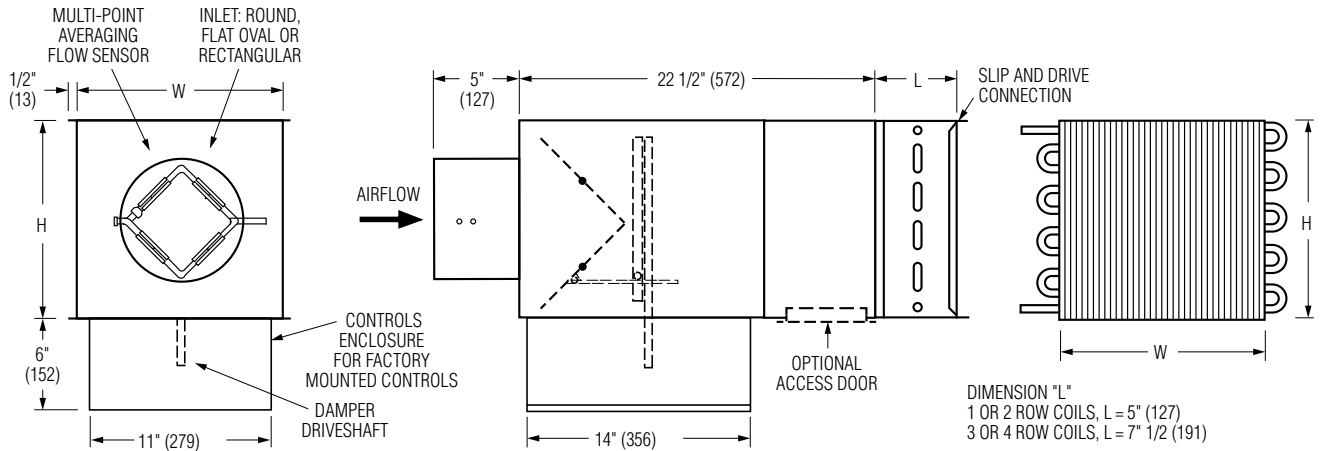




SINGLE DUCT TERMINAL UNIT W/HOT WATER REHEAT
DIGITAL CONTROLS • PRESSURE INDEPENDENT
CONSTANT OR VARIABLE VOLUME
MODEL: D30RW WITH BOTTOM MOUNT CONTROLS
LOCATION (OPTION OB)



Dimensional Data

| Unit Size | Airflow Range* cfm (l/s) | W | H | Inlet Size | Coil Connections | | | |
|-----------|-----------------------------|----------|--------------|-------------------------------------|------------------|----------|------------|------------|
| | | | | | 1 Row | 2 Row | 3 Row | 4 Row |
| 4 | 0 – 225 (0 – 106) | 10 (254) | 10 (254) | 3 7/8 (98) Round | 1/2 (13) | 7/8 (22) | 7/8 (22) | 7/8 (22) |
| 5 | 0 – 400 (0 – 189) | 10 (254) | 10 (254) | 4 7/8 (124) Round | 1/2 (13) | 7/8 (22) | 7/8 (22) | 7/8 (22) |
| 6 | 0 – 550 (0 – 260) | 10 (254) | 10 (254) | 5 7/8 (149) Round | 1/2 (13) | 7/8 (22) | 7/8 (22) | 7/8 (22) |
| 7 | 0 – 800 (0 – 378) | 12 (305) | 12 1/2 (318) | 6 7/8 (175) Round | 1/2 (13) | 7/8 (22) | 7/8 (22) | 7/8 (22) |
| 8 | 0 – 1100 (0 – 519) | 12 (305) | 12 1/2 (318) | 7 7/8 (200) Round | 1/2 (13) | 7/8 (22) | 7/8 (22) | 7/8 (22) |
| 9 | 0 – 1400 (0 – 661) | 14 (356) | 12 1/2 (318) | 8 7/8 (225) Round | 1/2 (13) | 7/8 (22) | 7/8 (22) | 7/8 (22) |
| 10 | 0 – 1840 (0 – 868) | 14 (356) | 12 1/2 (318) | 9 7/8 (251) Round | 1/2 (13) | 7/8 (22) | 7/8 (22) | 7/8 (22) |
| 12 | 0 – 2500 (0 – 1180) | 18 (457) | 12 1/2 (318) | 12 15/16 x 9 13/16 (329 x 249) Oval | 1/2 (13) | 7/8 (22) | 7/8 (22) | 7/8 (22) |
| 14 | 0 – 3125 (0 – 1475) | 24 (610) | 12 1/2 (318) | 16 1/16 x 9 13/16 (408 x 249) Oval | 1/2 (13) | 7/8 (22) | 7/8 (22) | 7/8 (22) |
| 16 | 0 – 3725 (0 – 1758) | 28 (711) | 12 1/2 (318) | 19 3/16 x 9 13/16 (487 x 249) Oval | 7/8 (22) | 7/8 (22) | 7/8 (22) | 7/8 (22) |
| 24 x 16 | 0 – 8330 (0 – 3931) | 38 (965) | 18 (457) | 23 7/8 x 15 7/8 (606 x 403) Rect. | 7/8 (22) | 7/8 (22) | 1 3/8 (35) | 1 3/8 (35) |

* Maximum airflow limit is based upon 1.5" w.g. (373 Pa) max. differential pressure signals from Diamond Flow Sensor.

Standard Features:

- Bottom mount controls location with vertical drive shaft (option code OB).
- 22 ga. (0.86) zinc coated steel casing, mechanically sealed, low leakage construction.
- 16 ga. (1.61) corrosion-resistant steel inclined opposed blade damper with extruded PVC seals (single blade on size 4, 5, 6). 45° rotation, CW to close. Tight close-off. Damper leakage is less than 2% of the terminal rated airflow at 3" w.g. (750 Pa).
- 1/2" (13) dia. plated steel drive shaft. An indicator mark on the end of the shaft shows damper position.
- Multi-point averaging Diamond Flow Sensor. Aluminum construction. Supplied with balancing tees.
- Rectangular discharge with slip and drive cleat duct connection.

- Full NEMA type-1 controls enclosure for factory mounted controls.
- 3/4" (19), dual density insulation, exposed edges coated to prevent air erosion. Meets the requirements of NFPA 90A and UL 181.

Hot Water Coil Section:

- 1/2" (13) Copper tubes and aluminum ripple fins, 10 per inch.
- 1, 2, 3 or 4 row.
- Left or right hand connection. Determined by looking in direction of airflow (RH illustrated).
- 1/2" (13), 7/8" (22) or 1 3/8" (35) O.D. male solder sweat connections.

Digital Controls:

- Factory mounted (supplied by others)
 - Field mounted (supplied by others)
 - Nailor EZvav
- See separate submittal.

Options and Accessories:

- Steri-liner.
- Fiber-free liner.
- Steri-liner + Perforated metal liner.
- Perforated metal liner.
- Solid metal liner.
- 1" (25) liner.
- FMI Removable insert type Flow Sensor.
- Bottom access door.
- 24 VAC Control transformer.
- Toggle disconnect switch.
- Hanger brackets.
- Controls enclosure for field mounted controls.
- Dust tight enclosure seal.
- Ultra low leakage casing.
- Special Features: _____



Intertek

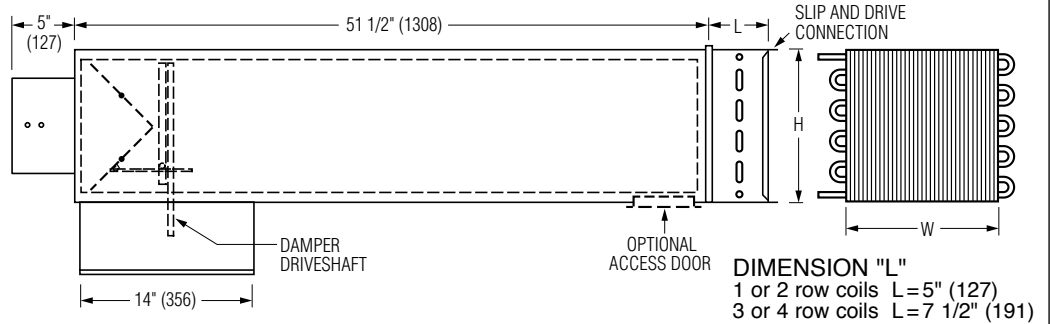
| | | | | |
|-----------------------|-------------|-----------------|-------------------|--------------------|
| SCHEDULE TYPE: | | | | |
| PROJECT: | | | | |
| ENGINEER: | DATE | B SERIES | SUPERSEDES | DRAWING NO. |
| CONTRACTOR: | 2 - 27 - 24 | 3000 | 3 - 30 - 17 | D30RW-2 |



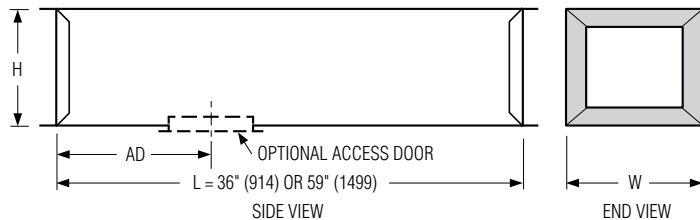
SINGLE DUCT TERMINAL UNIT WITH HOT WATER REHEAT ACCESSORIES
DIGITAL CONTROLS • PRESSURE INDEPENDENT
MODEL: D30RW WITH BOTTOM MOUNT CONTROLS
ENCLOSURE (OPTION OB)

Integral Sound Attenuator plus Hot Water Coil

- Single continuous length terminal construction minimizes casing leakage.
- Continuous internal insulation reduces insulation seams and minimizes airflow disturbance.
- Supplied with same liner as basic unit.



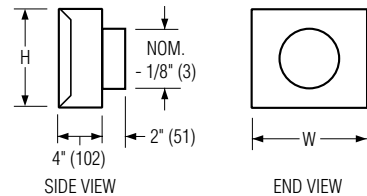
AT Discharge Sound Attenuator (loose)



- 22 ga. (0.86) galvanized steel construction.
- Shipped loose for field attachment.
- Slip and drive connection.
- 3/4" (14) dual density fiberglass insulation, exposed edges coated to prevent erosion as standard.

- AT313 3' (916) Long - Standard.**
- AT315 5' (1524) Long - Optional.**
- Special Features:** _____

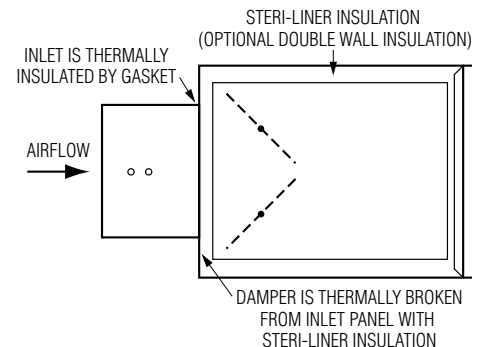
FF Round Discharge Collar



Dimensional Data

| Unit Size | W | H | AD | FF Outlet Size |
|-----------|----------|--------------|----------|-------------------------|
| 4, 5, 6 | 10 (254) | 10 (254) | 12 (305) | 4, 5, 6 (102, 127, 152) |
| 7, 8 | 12 (305) | 12 1/2 (318) | 12 (305) | 7, 8 (178, 203) |
| 9, 10 | 14 (356) | 12 1/2 (318) | 12 (305) | 9, 10 (229, 254) |
| 12 | 18 (457) | 12 1/2 (318) | 12 (305) | 12 (305) |
| 14 | 24 (610) | 12 1/2 (318) | 12 (305) | 14 (356) |
| 16 | 28 (711) | 12 1/2 (318) | 12 (305) | 16 (406) |
| 24 x 16 | 38 (965) | 18 (457) | 12 (305) | - |

FTL Low Temperature Construction



SCHEDULE TYPE:

PROJECT:

ENGINEER:

CONTRACTOR:

Page 2 of 2.
 Dimensions are in inches (mm).

| DATE | B SERIES | SUPERSEDES | DRAWING NO. |
|-------------|----------|-------------|-------------|
| 2 - 27 - 24 | 3000 | 3 - 30 - 17 | D30RW-2 |