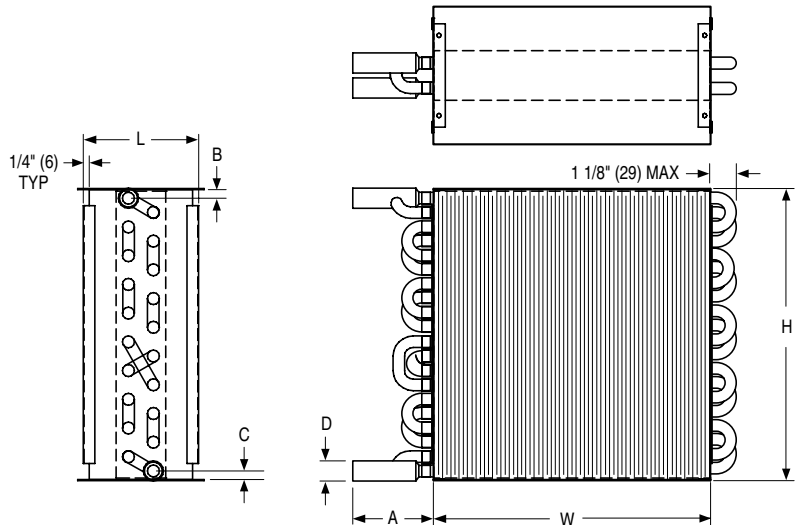




**SINGLE DUCT TERMINAL UNIT  
HOT WATER REHEAT COILS (HIGH CAPACITY)  
FOR USE WITH MODELS: (D, A or P) 30RW  
MODEL SERIES: 30HWC**

**Description:**

- 0.0045" (0.11) Aluminum sine-wave corrugation and rippled fins, 12 fins per inch.
- 1/2" (13) O.D. copper tubes, 0.016" (0.41) wall thickness.
- 20 ga. (1.00) galvanized steel casing.
- 1/2" (13), 7/8" (22) or 1 3/8" (35) O.D. copper male solder sweat connections.
- Connection is slip and drive to ductwork, both sides.
- Leakage tested to 360 psi (2481 kPa).
- AHRI Certified.



**Dimensional Data**

Unit Size	W	H	1 Row						2 Row					
			Part No.	L	A	B	C	D	Part No.	L	A	B	C	D
4, 5, 6	10 (254)	10 (254)	V30HWC106H	5 (127)	3 (76)	13/32 (10)	1 1/32 (26)	1/2 (13)	V30HWC206	5 (127)	4 (102)	13/32 (10)	13/32 (10)	7/8 (22)
7, 8	12 (305)	12 1/2 (318)	V30HWC108H	5 (127)	3 (76)	13/32 (10)	1 1/32 (26)	1/2 (13)	V30HWC208	5 (127)	3 1/2 (89)	3/8 (10)	3/8 (10)	7/8 (22)
9, 10	14 (356)	12 1/2 (318)	V30HWC110H	5 (127)	3 (76)	13/32 (10)	1 1/32 (26)	1/2 (13)	V30HWC210	5 (127)	3 1/2 (89)	3/8 (10)	3/8 (10)	7/8 (22)
12	18 (457)	12 1/2 (318)	V30HWC112H	5 (127)	3 (76)	13/32 (10)	1 1/32 (26)	1/2 (13)	V30HWC212	5 (127)	3 1/2 (89)	13/32 (10)	13/32 (10)	7/8 (22)
14	24 (610)	12 1/2 (318)	V30HWC114H	5 (127)	3 (76)	3/8 (10)	1 (25)	1/2 (13)	V30HWC214	5 (127)	3 1/2 (89)	3/8 (10)	3/8 (10)	7/8 (22)
16	28 (711)	12 1/2 (318)	V30HWC116H	5 (127)	4 3/4 (121)	3/8 (10)	1 (25)	7/8 (22)	V30HWC216	5 (127)	4 3/4 (121)	11/16 (17)	11/16 (17)	7/8 (22)
24 x 16	38 (965)	18 (457)	V30HWC124H	5 (127)	4 3/4 (121)	9/16 (14)	1 3/16 (30)	7/8 (22)	V30HWC224	5 (127)	4 3/4 (121)	7/8 (22)	7/8 (22)	7/8 (22)

Unit Size	W	H	3 Row						4 Row					
			Part No.	L	A	B	C	D	Part No.	L	A	B	C	D
4, 5, 6	10 (254)	10 (254)	V30HWC306H	7 1/2 (191)	4 1/4 (108)	23/32 (18)	23/32 (18)	7/8 (22)	V30HWC406	7 1/2 (191)	4 1/4 (108)	11/16 (17)	11/16 (17)	7/8 (22)
7, 8	12 (305)	12 1/2 (318)	V30HWC308H	7 1/2 (191)	4 1/4 (108)	23/32 (18)	23/32 (18)	7/8 (22)	V30HWC408	7 1/2 (191)	4 1/4 (108)	11/16 (17)	11/16 (17)	7/8 (22)
9, 10	14 (356)	12 1/2 (318)	V30HWC310H	7 1/2 (191)	4 1/4 (108)	11/16 (17)	11/16 (17)	7/8 (22)	V30HWC410	7 1/2 (191)	4 1/4 (108)	11/16 (17)	11/16 (17)	7/8 (22)
12	18 (457)	12 1/2 (318)	V30HWC312H	7 1/2 (191)	4 1/4 (108)	23/32 (18)	23/32 (18)	7/8 (22)	V30HWC412	7 1/2 (191)	4 1/4 (108)	23/32 (18)	23/32 (18)	7/8 (22)
14	24 (610)	12 1/2 (318)	V30HWC314H	7 1/2 (191)	4 1/4 (108)	11/16 (17)	11/16 (17)	7/8 (22)	V30HWC414	7 1/2 (191)	4 1/4 (108)	23/32 (18)	23/32 (18)	7/8 (22)
16	28 (711)	12 1/2 (318)	V30HWC316H	7 1/2 (191)	4 1/4 (108)	11/16 (17)	11/16 (17)	7/8 (22)	V30HWC416	7 1/2 (191)	4 1/4 (108)	23/32 (18)	23/32 (18)	7/8 (22)
24 x 16	38 (965)	18 (457)	V30HWC324H	7 1/2 (191)	4 3/4 (121)	1 1/8 (29)	1 1/8 (29)	1 3/8 (35)	V30HWC424	7 1/2 (191)	4 3/4 (121)	1 1/8 (29)	1 1/8 (29)	1 3/8 (35)

**Weights:**

Unit Size	1 Row			2 Row			3 Row			4 Row		
	Dry Coil Weight (lbs)	Water Weight (lbs)	Water Volume (gal)	Dry Coil Weight (lbs)	Water Weight (lbs)	Water Volume (gal)	Dry Coil Weight (lbs)	Water Weight (lbs)	Water Volume (gal)	Dry Coil Weight (lbs)	Water Weight (lbs)	Water Volume (gal)
4, 5, 6	5	0.16	0.02	7	0.43	0.06	10	0.65	0.09	13	0.81	0.11
7, 8	7	0.21	0.03	9	0.53	0.07	11	0.80	0.11	15	1.01	0.14
9, 10	7	0.23	0.03	11	0.58	0.08	12	0.87	0.12	16	1.11	0.15
12	9	0.28	0.04	12	0.67	0.09	14	1.01	0.14	18	1.30	0.17
14	11	0.35	0.05	15	0.82	0.11	17	1.23	0.17	21	1.58	0.21
16	13	0.65	0.09	17	1.32	0.18	20	1.67	0.23	26	1.77	0.24
24 x 16	23	0.96	0.13	31	2.49	0.34	47	4.53	0.61	58	5.19	0.70

**SCHEDULE TYPE:**

**PROJECT:**

**ENGINEER:**

**CONTRACTOR:**

Page 1 of 1.  
Dimensions are in inches (mm).

DATE	B SERIES	SUPERSEDES	DRAWING NO.
9 - 6 - 19	3000	NEW	D30HWC-2