



**DYNAMIC OUT OF WALL FIRE DAMPER**  
**GRILLE MOUNT WITH DAMPER ACCESS**  
 FOR USE IN DYNAMIC OR STATIC SYSTEMS  
 1 1/2 HR. LABEL • AIRFOIL BLADE  
**MODEL: D1201-OW**



**QUALIFICATIONS:**

- **UL 555 & CAN/ULC-S112 CLASSIFIED DYNAMIC FIRE DAMPER**  
1 1/2 Hour Label (File # R9492).
- **Meets NFPA 80, 90A and 101 as well as IBC and NBC (Canada) requirements.**
- **California State Fire Marshal: Fire Damper Listing No. 3225-0935:0101.**
- **Maximum velocity 4000 fpm @ 4" w.g. (20 m/s @ 1 kPa).**
- **For use in vertical or horizontal concrete partitions and vertical steel stud partitions only.**

Model D1201-OW is an "out of wall" high performance fire damper specifically designed for supply or return ducts that terminate at a grille and provides through the grille access to the damper. Standard sleeve length accommodates most commercial supply and return grilles/registers and is ideal for applications where building codes require a fire damper for the protection of ductwork penetrations in walls or floors that have a fire resistance rating of up to 2 hours.

Model D1201-OW offers premium performance and a low pressure drop well suited to the majority of commercial applications. Unique, inter-locking double skin blade design eliminates combustible seals and provides flame protection under fire conditions at temperatures up to 2000°F (1093°C). Supplied as standard with an internal locking quadrant which holds the damper in the fully open position, but may also be used for system balancing if required.

**STANDARD CONSTRUCTION:**

- Frame:** 5" x 7/8" x 16 ga. (127 x 22 x 1.6) galvanized steel hat channel.
- Blades:** 14 ga. (2.0) equivalent galvanized steel formed airfoil on 5 1/2" (140) centers. Opposed action.
- Sleeve:** 16" x 20 ga. (406 x 1.0) galvanized steel with 3/4" (19) flange on one end standard.
- Insulation:** Intumescent thermal insulation on four sides.
- Linkage:** Concealed in frame. 12 ga. (2.7) plated steel.
- Bearings:** 1/2" (13) dia. self-lubricating oilite bronze.
- Axles:** 1/2" (13) dia. plated steel double bolted to blades.
- Jackshaft:** 1/2" (13) dia. cadmium plated steel.  
Internal locking quadrant is factory installed.
- Fusible Link:** 165°F (74°C) standard. 212°F (100°C) available.

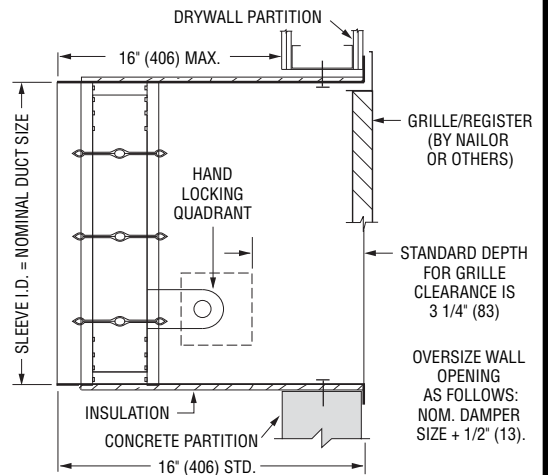
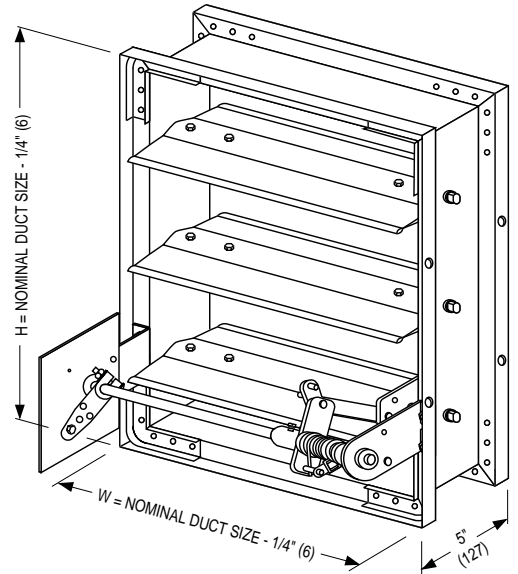
**Sizes (Duct W x H):**

Velocity/ Pressure Rating	Minimum		Maximum	
	Single Section		Single Section	
	Vertical/Horizontal	Vertical	Horizontal	Horizontal
24, 34, 44	8" x 8" (203 x 203)	36" x 48" (914 x 1219)	32" x 48" (813 x 1219)	

**Note:** Multiple section assemblies are not permitted.

**BASE MODEL SELECTION:**

- D1201-OW** Standard factory sleeve. See above.
- D1201-OW** Non-standard sleeve. Specify \_\_\_\_\_ length \_\_\_\_ ga.  
A custom length sleeve can be furnished when an other than standard grille depth clearance is required.



**DYNAMIC VELOCITY/PRESSURE RATING:**

- 24** 2000 fpm @ 4" w.g. (Standard)
- 34** 3000 fpm @ 4" w.g. } (Optional)
- 44** 4000 fpm @ 4" w.g. }

**OPTIONS:**

- BS** Stainless steel bearings
- JSM** Flexible metal jamb seals
- MLS-300** Position indicator switch pack
- QS1** Quick-set retaining angle (one side)
- TDF1** TDF Flange (one end)

<b>SCHEDULE TYPE:</b>	For installation instructions, see IOM-D1201DOWINST.			
<b>PROJECT:</b>	Dimensions are in inches (mm).			
<b>ENGINEER:</b>	<b>DATE</b>	<b>B SERIES</b>	<b>SUPERSEDES</b>	<b>DRAWING NO.</b>
<b>CONTRACTOR:</b>	4 - 28 - 14	1200	1 - 1 - 12	D1201-OW