



**DYNAMIC MULTI-BLADE FIRE DAMPER**  
 FOR USE IN DYNAMIC OR STATIC  
 SYSTEMS • HIGH PERFORMANCE  
 1 1/2 HR. LABEL • AIRFOIL BLADE  
**MODELS: D1200 AND D1201 (TYPE A)**



**QUALIFICATIONS:**

- **UL 555 & CAN/JULC-S112 CLASSIFIED DYNAMIC FIRE DAMPER** 1 1/2 hr. Label (File # R9492).
- **Meets NFPA 80, 90A and 101 as well as IBC and NBC (Canada) Building Code requirements.**
- **City of New York. MEA # 366-03-M.**
- **California State Fire Marshal: Fire Damper Listing No. 3225-0935:0101.**
- **Maximum velocity: 4000 fpm @ 4" w.g. (20 m/s @ 1 kPa).**

D1200 Series dampers are ideal for applications where building codes require a fire damper for the protection of ductwork penetrations in walls or floors that have a fire resistance rating of up to 2 hours. Airfoil blade design and elimination of blade sills, top and bottom, provide a low pressure drop design. UL approved for installation with airflow in either direction and inverted mounting. Supplied as standard with an internal locking quadrant which holds the damper in the fully open position, but may also be used for system balancing if required.

**STANDARD CONSTRUCTION:**

- Frame:** 5" x 7/8" x 16 ga. (127 x 22 x 1.6) galvanized steel hat channel.  
**Blades:** 14 ga. (2.0) equivalent galvanized steel formed airfoil on 5 1/2" (140) centers. Opposed action.  
**Linkage:** Concealed in frame. 12 ga. (2.7) plated steel.  
**Bearings:** 1/2" (13) dia. self-lubricating oilite bronze.  
**Axles:** 1/2" (13) dia. plated steel double bolted to blades.  
**Jackshaft:** 1/2" (13) dia. cadmium plated steel. Internal locking quadrant is factory installed.  
**Fusible Link:** 165°F (74°C) standard. 212°F (100°C) available on single and double section sizes only.

**Models D1200 and D1201 Sizes (Duct W x H):**

| Velocity/<br>Pressure<br>Rating | Minimum                |                           | Maximum                   |   |   |  |
|---------------------------------|------------------------|---------------------------|---------------------------|---|---|--|
|                                 | Single Sect.           | Single Section            |                           | Multiple Section  |   |  |
|                                 | Vert./Horiz.           | Vertical                  | Horizontal                | Vertical  | Horizontal  |  |
| 24                              | 8" x 8"<br>(203 x 203) | 36" x 48"<br>(914 x 1219) | 32" x 48"<br>(813 x 1219) | 72" x 96" (1829 x 2438) or<br>144" x 48" (3658 x 1219). | 64" x 96" (1626 x 2438) or<br>128" x 48" (3251 x 1219). |  |
| 34, 44                          |                        |                           |                           | —   | —   |  |

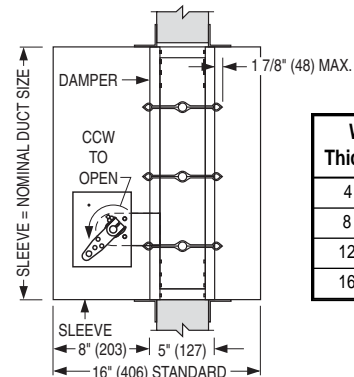
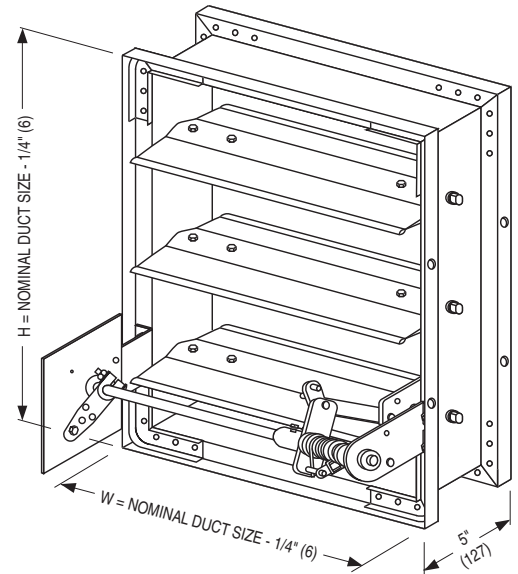
Dampers with duct heights less than 8" (203) in width only, or in both width and height, require a Type 'B' sleeve enclosure (Model D1202). Duct sizes less than 8" (203) in width require a Type 'C' enclosure (Model D1203).

**BASE MODEL SELECTION:**

- D1200** Less sleeve
- D1201** Standard factory sleeve 16" long x 20 ga. (406 x 1.0). (18 ga. [1.3] for dampers over 84" [2134] in width).
- D1201** Non-standard sleeve. Specify \_\_\_\_\_ length \_\_\_\_\_ ga. Available up to 36" (914) dependent upon wall thickness and 10 through 20 ga. (3.5 through 1.0).

**DYNAMIC VELOCITY/PRESSURE RATING:**

- 24** 2000 fpm @ 4" w.g. (Standard)
- 34** 3000 fpm @ 4" w.g. } (Optional)
- 44** 4000 fpm @ 4" w.g. }



| Wall Thickness | Min. Sleeve Length |
|----------------|--------------------|
| 4 (102)        | 16 (406)           |
| 8 (203)        | 20 (508)           |
| 12 (305)       | 24 (610)           |
| 16 (406)       | 28 (711)           |

**OPTIONS:**

- SMP** Side mounting plate
- BS** Stainless steel bearings
- MLS-300** Position indicator switch pack
- JSM** Flexible metal jamb seals
- QS1** Quick-set retaining angle (one side)
- QS2** Quick-set retaining angles (two sides)
- TDF1** Flange (one end)
- TDF2** Flange (both ends)
- Special features** \_\_\_\_\_

**SCHEDULE TYPE:**

**PROJECT:**

**ENGINEER:**

**CONTRACTOR:**

For installation instructions, see IOM-MBFDINST.  
 Dimensions are in inches (mm).

| DATE        | B SERIES | SUPERSEDES | DRAWING NO. |
|-------------|----------|------------|-------------|
| 4 - 28 - 14 | D1200    | 1 - 1 - 12 | D1200-1     |