



**STAINLESS STEEL DYNAMIC CURTAIN TYPE  
FIRE DAMPER**  
3 HR. LABEL • VERTICAL  
FOR USE IN DYNAMIC OR STATIC SYSTEMS  
MODEL: D0530SS (TYPE CSR)



**QUALIFICATIONS:**

- **UL 555 & CAN/ULC-S112 CLASSIFIED DYNAMIC FIRE DAMPER.** 3 hr. label (File # R9492).
- **Meets all the requirements of UL and NFPA 80, 90A and 101 for fire dampers in dynamic HVAC systems, as well as IBC and NBC (Canada) Building Code requirements.**
- **City of New York Board of Standards and Appeals. Cal. No. 460-88-SA.**
- **California State Fire Marshal: Fire Damper Listing No. 3225-0935:0113.**
- **Maximum velocity: 2000 fpm @ 4" w.g. (10 m/s @ 1 kPa).**

Model D0530SS stainless steel dynamic curtain fire damper is UL approved for use where local building codes require the protection of HVAC ductwork penetrations in walls or partitions that have a fire resistance rating of up to 4 hours. The D0530SS is classified for use in dynamic "fans on" systems where the HVAC system remains operative in the event of a fire. Damper closure under airflow is assured. Type CSR square or rectangular fire dampers use transition collars to place the curtain blade pack and damper frame out of the airstream, providing 100% free area.

**STANDARD CONSTRUCTION:**

- Frame:** 4 7/8" (124) wide, 22 ga. (0.79) roll-formed Type 304 stainless steel.
- Blades:** Curtain type interlocking blades, 22 ga. (0.79) roll-formed Type 304 stainless steel.
- Enclosure:** 22 ga. (0.79) stainless steel.
- Fusible Link:** 165°F (74°C) standard. UL Listed. 212°F (100°C) available.
- Blade Closure:** Stainless steel closure springs and stainless steel locking ramps.

**Sizes (Duct W x H):**

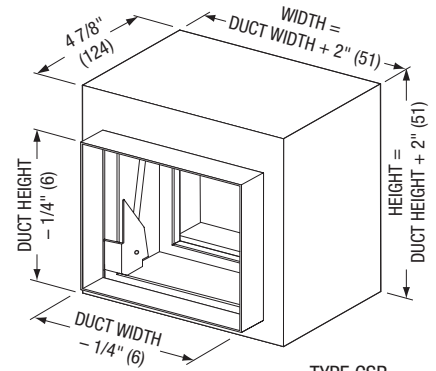
Model Type	Velocity/ Pressure Rating	Single Section	
		Minimum	Maximum
Sq./Rect. CSR	24	Vertical	Vertical
		4" x 4" (102 x 102)	22" x 21" (559 x 533)

**OPTIONS:**

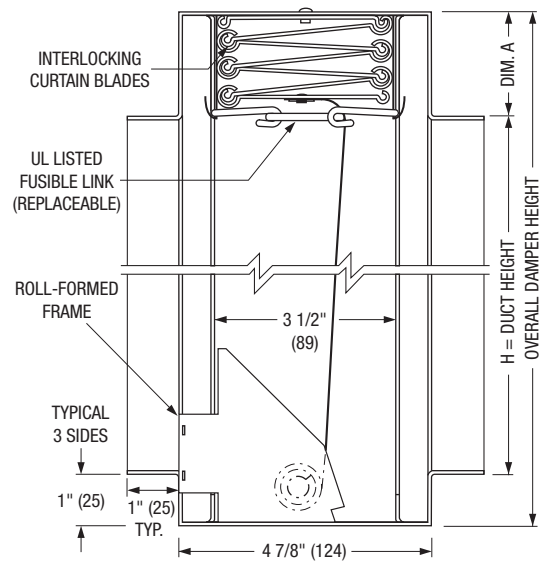
- 316 Type 316 stainless steel frame and blades.
- Non-standard temperature fusible link. Specify \_\_\_\_\_.
- Factory Sleeve. Available in 10 (3.5) through 18 ga. (1.27) stainless steel and in lengths required for application. Specify: \_\_\_\_\_ length. \_\_\_\_\_ ga.
- LP Unsealed. Suitable for low pressure systems.
- HP Sealed. Suitable for medium/high pressure systems. Externally caulked. (Up to 6 w.g. [1.5 kPa]).

**DYNAMIC VELOCITY/PRESSURE RATING:**

- 24 2000 fpm @ 4" w.g. (Standard)



TYPE CSR  
SQUARE / RECTANGULAR



MODEL D0530SS – CSR – VERTICAL MOUNT

Duct Height H	Dim. A
4" thru 15" (102 thru 381)	2" (51)
16" thru 21" (406 thru 533)	3" (76)

**SCHEDULE TYPE:**

**PROJECT:**

**ENGINEER:**

**CONTRACTOR:**

For installation instructions, see IOM-FDINST.  
Dimensions are in inches (mm).

DATE	B SERIES	SUPERSEDES	DRAWING NO.
12 - 4 - 20	FD	11 - 14 - 18	D0500SS-4