



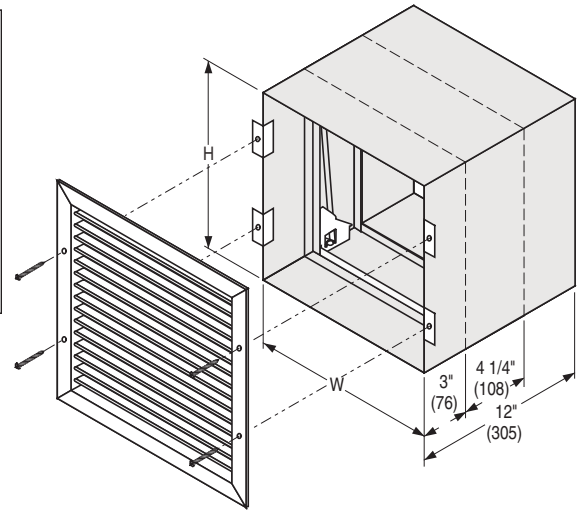
**DYNAMIC INTEGRAL SLEEVE CURTAIN TYPE  
FIRE DAMPER FOR GRILLES**  
FOR USE IN DYNAMIC OR STATIC SYSTEMS  
VERTICAL OR HORIZONTAL MOUNT  
**MODEL: D01X4G (TYPES A, B & CR)**



**QUALIFICATIONS:**

- **UL 555 & CAN/ULC-S112 CLASSIFIED DYNAMIC FIRE DAMPER.** 1 1/2 hr. label (File # R9492).
- **Meets all the requirements of UL and NFPA 80, 90A and 101 for fire dampers in dynamic HVAC systems, as well as IBC and NBC (Canada) Building Code requirements.**
- **City of New York Board of Standards and Appeals. Cal. No. 460-88-SA.**
- **California State Fire Marshal: Fire Damper Listing No. 3225-0935:0113.**
- **Maximum velocity: 4000 fpm @ 4" w.g. (20 m/s @ 1 kPa).**

Model D01X4G features a special factory sleeve with unique 3/4" (19) grille mounting flanges, that simplifies installation, saves on field labor and eliminates the requirements for unsightly front retaining angles which commonly protrude from behind the grille. Steel grille with correctly located countersunk screwholes is available from Nailor and installs over and completely hides the mounting flanges. The dynamic fire damper is offset in the sleeve 3" (76) to accommodate a single or double deflection supply air grille, single deflection supply air register or a return air grille or register.



**STANDARD CONSTRUCTION:**

- Frame:** 4 1/4" (108) wide, 22 ga. (0.85) roll-formed G60 galvanized steel.
- Blades:** Curtain type interlocking blades, 22 ga. (0.85) roll-formed G60 galvanized steel.
- Fusible Link:** 165°F (74°C) standard. UL Listed.  
212°F (100°C) available.
- Integral Sleeve:** 12" (305) x 22 ga. (0.85) G60 galvanized steel with 3/4" (19) wide grille mounting flanges.
- Blade Closure:** Stainless steel closure springs and galvanized steel locking ramps.

**Sizes (Duct W x H):**

Velocity/ Pressure Rating	Single Section											
	Minimum						Maximum					
	Vertical			Horizontal			Vertical			Horizontal		
	A	B	C	A	B	C	A	B	C	A	B	C
24	6" x 6" (152 x 152)	6" x 4" (152 x 102)	4" (102) dia.	6" x 6" (152 x 152)	6" x 4" (152 x 102)	4" (102) dia.	24" x 24" (610 x 610)	24" x 21" (610 x 533)	22" (559) dia.	24" x 24" (610 x 610)	24" x 21" (610 x 533)	22" (559) dia.
34, 44	6" x 6" (152 x 152)	6" x 4" (152 x 102)	4" (102) dia.	—	—	—	24" x 24" (610 x 610)	24" x 21" (610 x 533)	22" (559) dia.	—	—	—

**Note:** Multiple section assemblies are not permitted.

**OPTIONS:**

- QS1** Quick-set retaining angles (for the rear side of the damper).

**DYNAMIC VELOCITY/PRESSURE RATING:**

- 24** 2000 fpm @ 4" w.g. (Standard)
- 34** 3000 fpm @ 4" w.g. } (Optional)
- 44** 4000 fpm @ 4" w.g. }

**NOTE:**

Damper blade centerline must remain within the plane of the wall or floor. These models require a min. – max. wall thickness of 6" – 9" (152 – 229). Rear of sleeve requires retaining angles. Maximum allowable sleeve projection is 6" (152). For custom length/gauge sleeves refer to Model Series D0100G. For applications where the damper would be outside the plane of the wall or floor, refer to Model D0110GOW.

For installation instructions, see IOM-FDGINST.

Page 1 of 2

Dimensions are in inches (mm).

<b>SCHEDULE TYPE:</b>				
<b>PROJECT:</b>				
<b>ENGINEER:</b>	<b>DATE</b>	<b>B SERIES</b>	<b>SUPERSEDES</b>	<b>DRAWING NO.</b>
<b>CONTRACTOR:</b>	11 - 6 - 17	FD	NEW	D01X4G

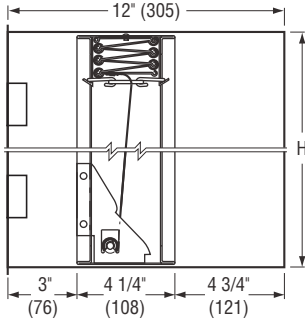


**DYNAMIC INTEGRAL SLEEVE CURTAIN TYPE  
FIRE DAMPER FOR GRILLES**  
FOR USE IN DYNAMIC OR STATIC SYSTEMS  
VERTICAL OR HORIZONTAL MOUNT  
**MODEL: D01X4G (TYPES A, B & CR)**

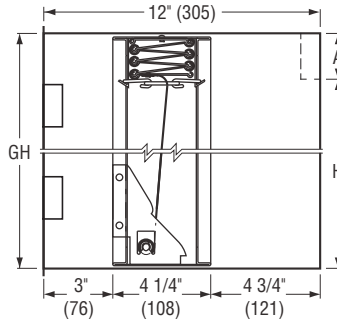


**INTEGRAL DAMPER/SLEEVE:**

**MODEL D0114G:  
TYPE A**



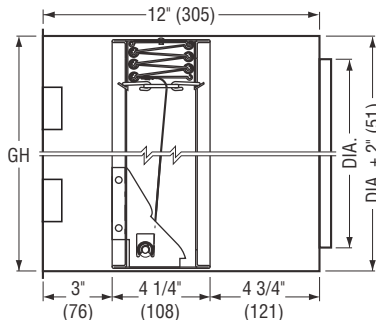
**MODEL D0124G:  
TYPE B DUCT  
CONNECTION  
ON ONE END  
GH = H + A**



Duct Height (H)	Dim. 'A'
4" - 17" (102 - 432)	2" (51)
18" - 21" (457 - 533)	3" (76)

Nominal Grille Size = W x GH  
GH = H + A

**MODEL D0134G:  
TYPE CR ROUND  
DUCT CONNECTION  
ON ONE END  
GH = DIA. + 2" (51)**



Nominal Grille Size = W x GH  
W = Duct Dia. + 2" (51)  
H = Duct Dia. + 2" (51)

For installation instructions, see IOM-FDGINST.

Page 2 of 2

Dimensions are in inches (mm).

<b>SCHEDULE TYPE:</b>				
<b>PROJECT:</b>				
<b>ENGINEER:</b>	<b>DATE</b>	<b>B SERIES</b>	<b>SUPERSEDES</b>	<b>DRAWING NO.</b>
<b>CONTRACTOR:</b>	11 - 6 - 17	FD	NEW	D01X4G