



**STAINLESS STEEL DYNAMIC CURTAIN TYPE
FIRE DAMPER**
1 1/2 HR. LABEL • VERTICAL
FOR USE IN DYNAMIC OR STATIC SYSTEMS
MODEL: D0110SS (TYPE A)



QUALIFICATIONS:

- UL 555 & CAN/ULC-S112 CLASSIFIED DYNAMIC FIRE DAMPER. 1 1/2 hr. label (File # R9492).
- Meets all the requirements of UL and NFPA 80, 90A and 101 for fire dampers in dynamic HVAC systems, as well as IBC and NBC (Canada) Building Code requirements.
- City of New York Board of Standards and Appeals. Cal. No. 460-88-SA.
- California State Fire Marshal: Fire Damper Listing No. 3225-0935:0113.
- Maximum velocity: 2000 fpm @ 4" w.g. (10 m/s @ 1 kPa).

Model D0110SS stainless steel curtain fire damper is UL approved for use where local building codes require the protection of HVAC ductwork penetrations in walls or partitions that have a fire resistance rating of up to 2 hours. The D0110SS is classified for use in dynamic "fans on" systems where the HVAC system remains operative in the event of a fire. Damper closure under airflow is assured.

STANDARD CONSTRUCTION:

- Frame:** 4 7/8" (124) wide, 22 ga. (0.79) roll-formed Type 304 stainless steel.
- Blades:** Curtain type interlocking blades, 22 ga. (0.79) roll-formed Type 304 stainless steel.
- Fusible Link:** 165°F (74°C) standard. UL Listed. 212°F (100°C) available.
- Blade Closure:** Stainless steel closure springs and stainless steel locking ramps.

Sizes (Duct W x H):

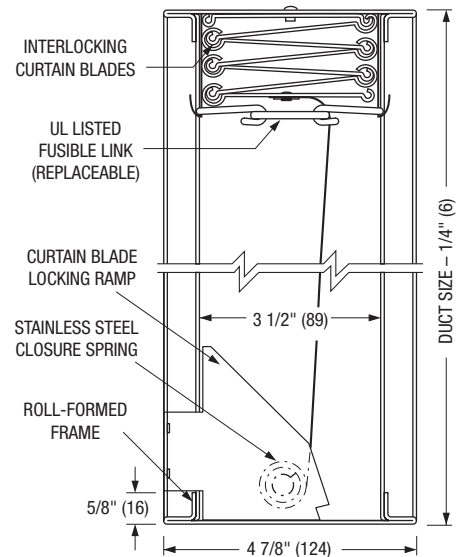
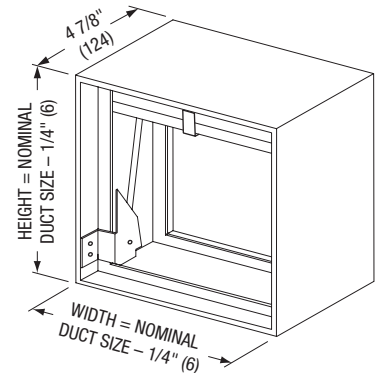
Velocity/ Pressure Rating	Single Section	
	Minimum	Maximum
	Vertical	Vertical
24	4" x 4" (102 x 102)	24" x 24" (610 x 610)

OPTIONS:

- 316 Type 316 stainless steel frame and blades.
- Non-standard temperature fusible link. Specify _____.
- Factory Sleeve. Available in 10 (3.5) through 18 ga. (1.27) stainless steel and in lengths required for application. Specify: _____ length. _____ ga.

DYNAMIC VELOCITY/PRESSURE RATING:

- 24 2000 fpm @ 4" w.g. (Standard)



MODEL D0110SS – VERTICAL MOUNT

SCHEDULE TYPE:

PROJECT:

ENGINEER:

CONTRACTOR:

For installation instructions, see IOM-FDINST.
Dimensions are in inches (mm).

DATE	B SERIES	SUPERSEDES	DRAWING NO.
10 - 9 - 20	FD	10 - 22 - 18	D0100SS-1