



DYNAMIC INTEGRAL SLEEVE FIRE DAMPERS
HYBRID • 1 1/2 HR. LABEL
VERTICAL MOUNT
FOR USE IN DYNAMIC OR STATIC SYSTEMS
MODELS: D0114HY, D0124HY AND D0134HY



QUALIFICATIONS:

- UL 555 & CAN/ULC-S112 CLASSIFIED FIRE DAMPER. 1 1/2 hr. label (File # R9492).
- Meets all the requirements of UL and NFPA 80, 90A and 101 for fire dampers in dynamic HVAC systems, as well as IBC and NBC (Canada) Building Code requirements.
- City of New York Board of Standards and Appeals. Cal. No. 460-88-SA.
- California State Fire Marshal: Fire Damper Listing No. 3225-0935:0113.
- Maximum velocity: 2000 fpm @ 4" w.g. (10 m/s @ 1 kPa).

The D0100HY hybrid fire dampers are UL approved for use where local building codes require the protection of HVAC ductwork penetrations in walls and partitions that have a fire resistance rating of up to 2 hours, classified for use in dynamic "fans on" systems where the HVAC system remains operative in the event of a fire. Damper closure under airflow is assured. Integral sleeve fire dampers offer convenience and labor savings. The costly requirement to field or shop fabricate custom sleeves is eliminated and dampers can therefore ship directly from the manufacturer to the job site – saving time and money. Hybrid dampers are utilized when duct sizes are larger than the limitations of standard curtain type fire dampers.

STANDARD CONSTRUCTION:

- Integral** Minimum 22 ga. (0.85) roll-formed G60 galvanized steel,
Sleeve/Frame: 5" (127) deep max. frame, 12" (305) long sleeve standard.
Blades: Minimum 22 ga. (0.85) roll-formed G60 galvanized steel.
Fusible Link: 165°F (74°C) standard. UL Listed.
 212°F (100°C) available.
Installation: Vertical mount model only.

Sizes (Duct W x H):

Model Type	Single Section		Multiple Section
	Minimum	Maximum	Maximum
	Vertical	Vertical	Vertical
D0114HY Type A	8" x 25" (203 x 635)	36" x 60" (914 x 1524)	72" x 60" (1829 x 1524)
D0124HY Type B	8" x 22" (203 x 559)	36" x 54" (914 x 1372)	72" x 54" (1829 x 1372)
D0134HY Type CR	22" (559) dia.	34" (864) dia.	53" (1346) dia.
D0134HY Type CO	6" x 22" (152 x 559)	34" x 53" (864 x 1346)	70" x 53" (1778 x 1346)

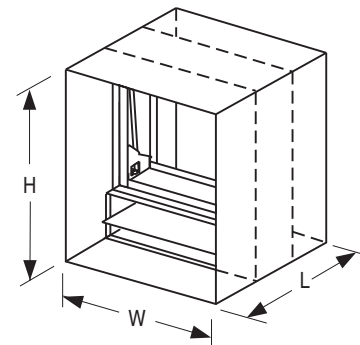
Note: For horizontal applications, contact factory.

OPTIONS:

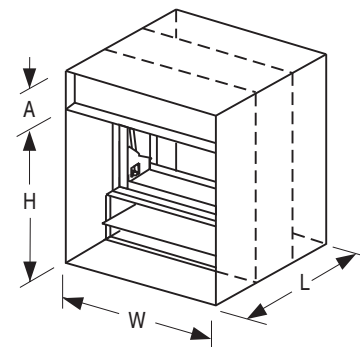
- Non-standard temperature fusible link. Specify _____.
- Non-standard sleeve length. Specify _____.
- QS1** Quick-set retaining angles (single set).
- QS2** Quick-set retaining angles (pair).
- TDF1** Flange (one end).
- TDF2** Flange (both ends).

DYNAMIC VELOCITY/PRESSURE RATING:

- 24** 2000 fpm @ 4" w.g. (Standard)

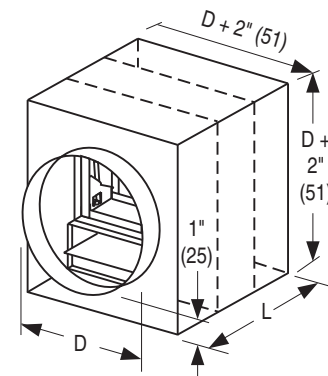


Model: D0114HY Type A



Model: D0124HY Type B

Duct Height (H)	Dim. 'A'
22" – 25" (559 – 635)	2" (51)
26" – 35" (660 – 889)	3" (76)
36" – 44" (914 – 1118)	4" (102)
45" – 53" (1143 – 1346)	5" (127)
54" (1372)	6" (152)



Model: D0134HY Type C

Type CR – Round transition collars (shown)
 Type CO – Oval transition collars

SCHEDULE TYPE:	For installation instructions, see IOM-FDHYINST. Dimensions are in inches (mm).			
PROJECT:				
ENGINEER:	DATE	B SERIES	SUPERSEDES	DRAWING NO.
CONTRACTOR:	1 - 20 - 22R	FD	12 - 3 - 14	D0100HY