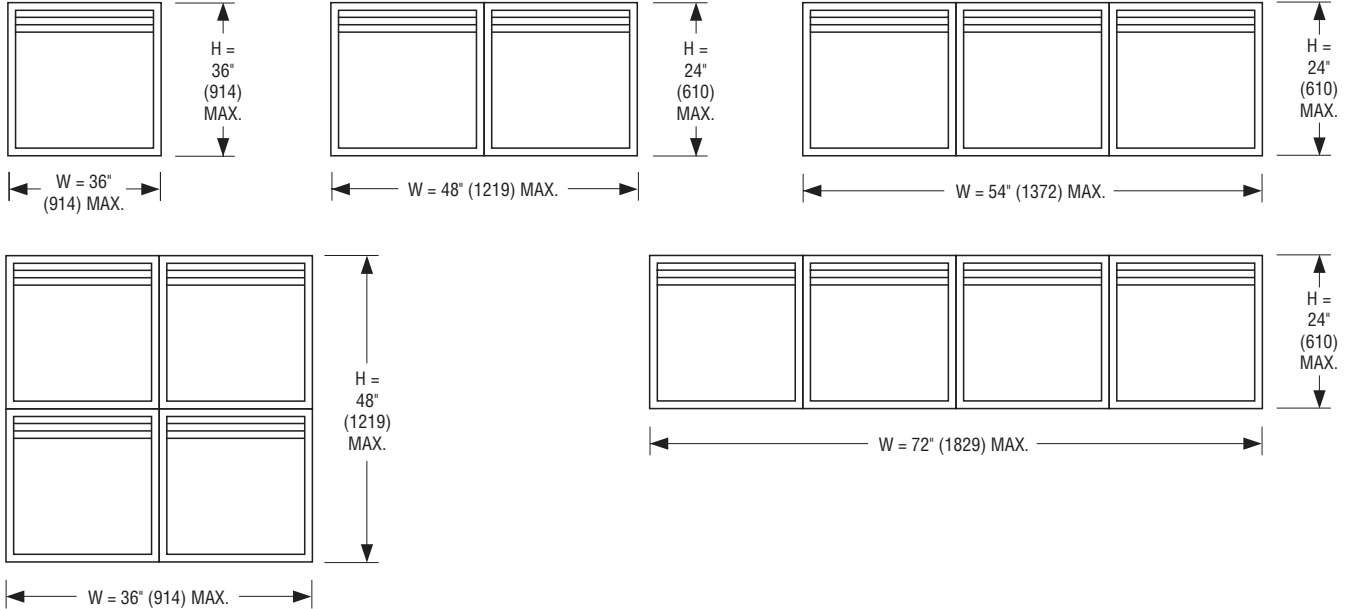
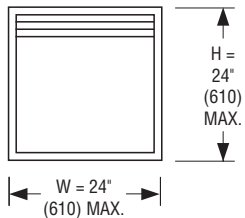
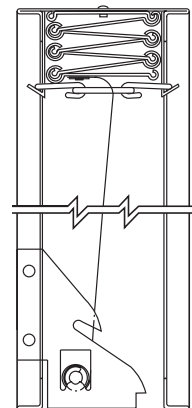


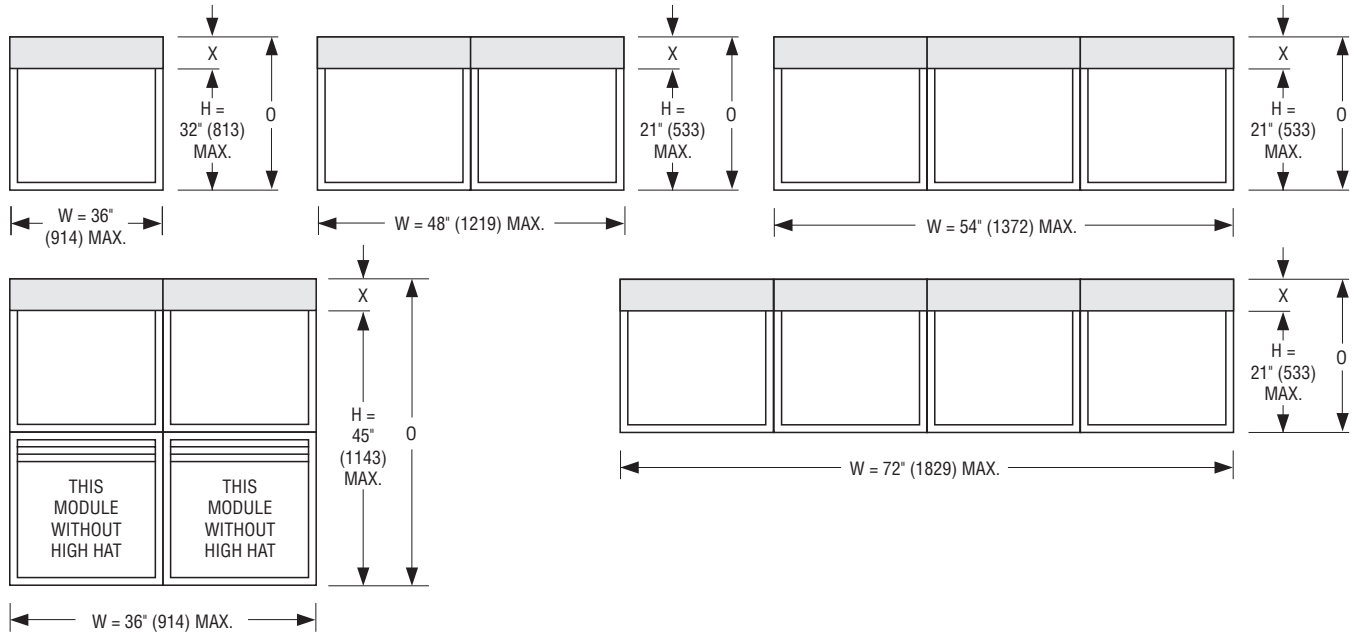
VERTICAL INSTALLATION:

HORIZONTAL INSTALLATION:

Notes:

1. The above diagrams illustrate the maximum sizes available for single section and multiple section assemblies with a dynamic velocity/pressure rating of 2000 fpm @ 4" w.g. (10 m/s @ 1 kPa).
2. Modules are equal divisions of nominal size.
3. Dimension "W" Width and "H" Height are maximum duct size.
4. Modules are manufactured 1/4" (6) under nominal duct size.



MODEL D0110: TYPE A
 WIDTH AND HEIGHT =
 NOMINAL SIZE - 1/4" (6)

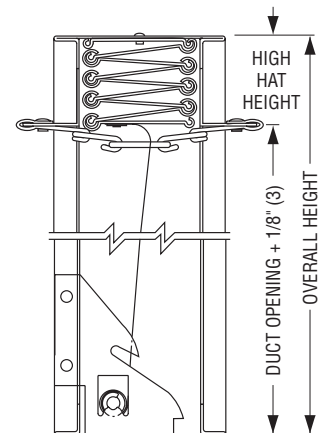
SCHEDULE TYPE:		Page 1 of 4			
PROJECT:		Dimensions are in inches (mm).			
ENGINEER:	DATE	B SERIES	SUPERSEDES	DRAWING NO.	
CONTRACTOR:	1 - 16 - 17	0100	2 - 1 - 14	D0100-MSSC	

VERTICAL INSTALLATION:

HORIZONTAL INSTALLATION:


Type B	H Dimension Nominal Duct Height	X Dimension High Hat	O Dimension Overall Height
Single High Assemblies	4" - 17" (102 - 432)	2" (51)	H + 2 1/8" (54)
	18" - 27" (457 - 656)	3" (76)	H + 3 1/8" (79)
	28" - 32" (711 - 813)	4" (102)	H + 4 1/8" (105)
Double High Assemblies	33" - 38" (838 - 965)	2" (51)	H + 2 1/8" (54)
	39" - 45" (991 - 1143)	3" (76)	H + 3 1/8" (79)

Notes:

- The above diagrams illustrate the max. sizes available for single section and multiple section assemblies with a dynamic velocity/pressure rating of 2000 fpm @ 4" w.g. (10 m/s @ 1 kPa).
- Modules are equal divisions of nominal size.
- Dimension "W" Width and "H" Height are maximum duct size.
- Modules without high hat section are manufactured 1/4" (6) under nominal duct size.
- Modules with high hat section are manufactured to nominal width minus 1/4" (6) and to nominal height plus 1/8" (3).
- "X" High Hat dimension and "O" Overall Damper Height are per the table above.


MODEL D0120: TYPE B
 WIDTH = NOMINAL SIZE - 1/4" (6)

SCHEDULE TYPE:
PROJECT:
ENGINEER:
CONTRACTOR:

 Page 2 of 4
 Dimensions are in inches (mm).

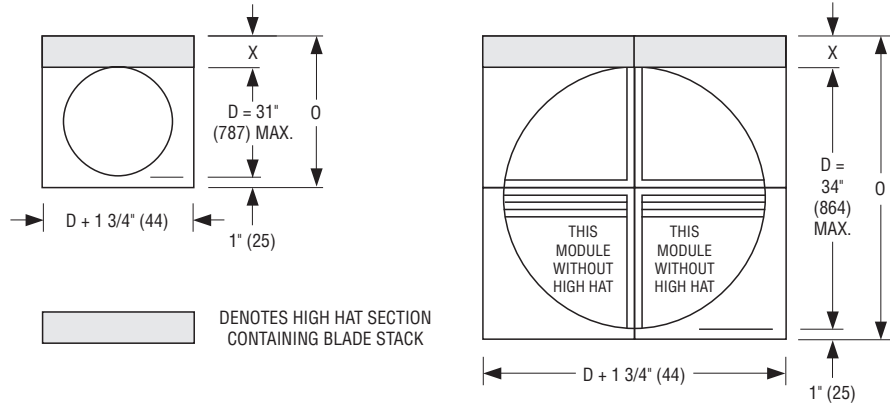
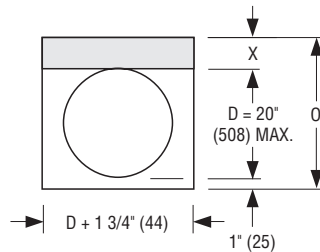
DATE
B SERIES
SUPERSEDES
DRAWING NO.

1 - 16 - 17

0100

2 - 1 - 14

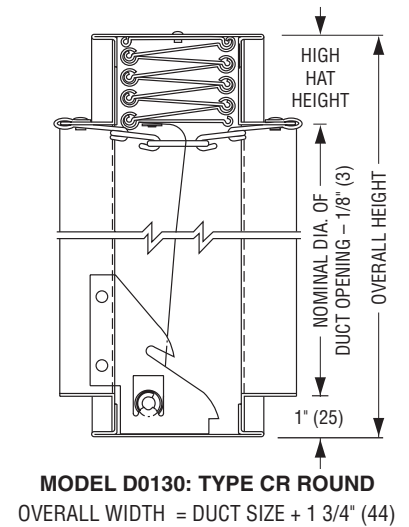
D0100-MSSC

VERTICAL INSTALLATION:

HORIZONTAL INSTALLATION:


Type CR	D Dimension Nom. Duct Diameter	X Dimension High Hat	O Dimension Overall Height
Single High Assemblies	4" - 5" (102 - 127)	1" (25)	D + 1 3/4" (44)
	6" - 17" (152 - 432)	2" (51)	D + 2 3/4" (70)
	18" - 27" (457 - 686)	3" (76)	D + 3 3/4" (95)
	28" - 31" (711 - 787)	4" (102)	D + 4 3/4" (121)
Double High Assemblies	32" - 34" (813 - 864)	2" (51)	D + 2 3/4" (70)

Notes:

- The above diagrams illustrate the maximum sizes available for single section and multiple section assemblies with a dynamic velocity/pressure rating of 2000 fpm @ 4" w.g. (10 m/s @ 1 kPa).
- Modules are equal divisions of nominal size.
- Dimension "D" Diameter is maximum duct size.
- Modules are manufactured 1/8" (3) under nominal duct size.
- "X" High Hat dimension and "O" Overall Damper Height are per the table above.


SCHEDULE TYPE:
PROJECT:
ENGINEER:
CONTRACTOR:

 Page 3 of 4
 Dimensions are in inches (mm).

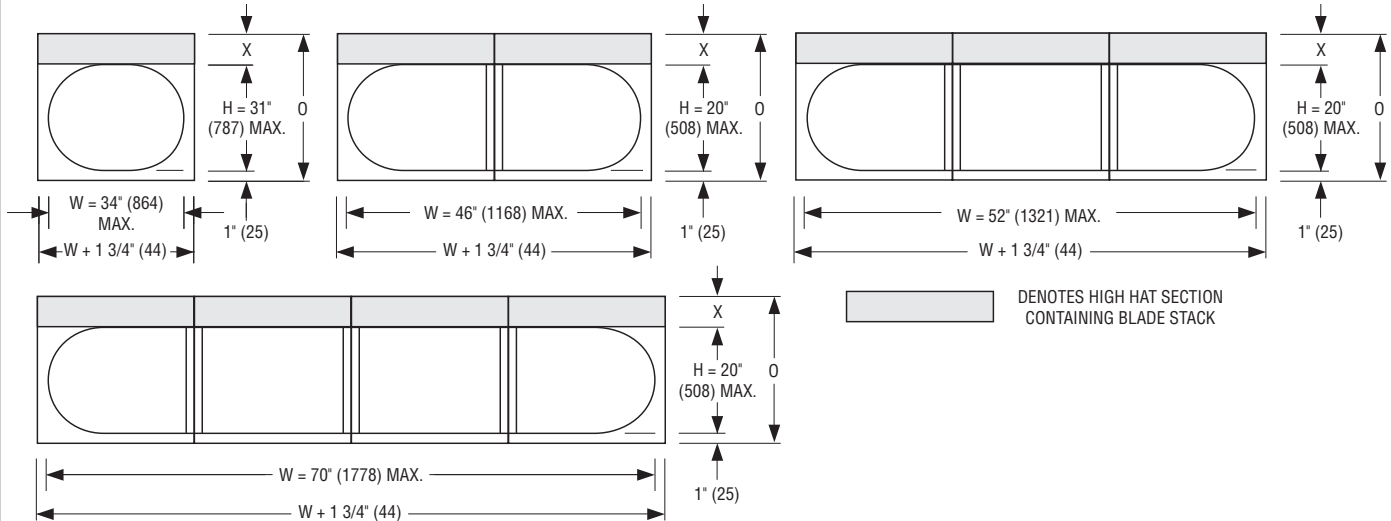
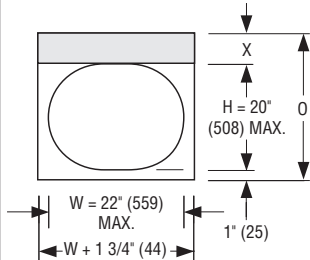
DATE
B SERIES
SUPERSEDES
DRAWING NO.

1 - 16 - 17

0100

2 - 1 - 14

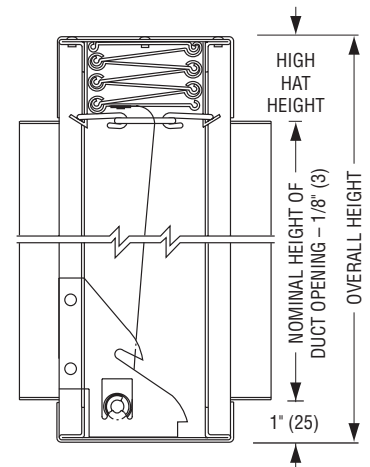
D0100-MSSC

VERTICAL INSTALLATION:

HORIZONTAL INSTALLATION:


Types CO/CSR	H Dimension Nominal Duct Height	X Dimension High Hat	O Dimension Overall Height
Single High Assemblies	4" - 5" (102 - 127)	1" (25)	H + 1 3/4" (44)
	6" - 17" (152 - 432)	2" (51)	H + 2 3/4" (70)
	18" - 27" (457 - 686)	3" (76)	H + 3 3/4" (95)
	28" - 31" (711 - 787)	4" (102)	H + 4 3/4" (121)

Notes:

- The above diagrams illustrate the maximum sizes available for single section and multiple section assemblies with a dynamic velocity/pressure rating of 2000 fpm @ 4" w.g. (10 m/s @ 1 kPa). Type CO (flat oval duct) dampers are illustrated, but dimensions also apply to Type CSR (rectangular duct) dampers.
- Modules are equal divisions of nominal size.
- Dimension "W" Width and "H" Height are maximum duct size.
- Modules are manufactured 1/8" (3) under nominal duct size.
- "X" High Hat dimension and "O" Overall Damper Height are per the table above.



MODEL: D0130 TYPE CO OVAL
MODEL: D0140 TYPE CSR RECTANGULAR
 OVERALL WIDTH = DUCT SIZE + 1 3/4" (44)

SCHEDULE TYPE:
PROJECT:
ENGINEER:
CONTRACTOR:

Page 4 of 4
 Dimensions are in inches (mm).

DATE
B SERIES
SUPERSEDES
DRAWING NO.

1 - 16 - 17

0100

2 - 1 - 14

D0100-MSSC