



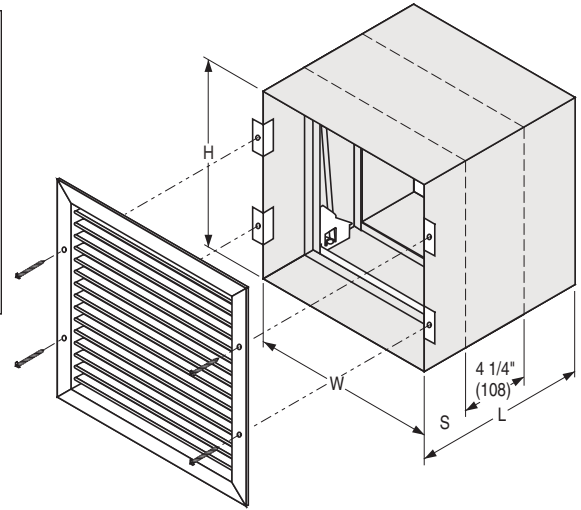
DYNAMIC CURTAIN TYPE FIRE DAMPER FOR GRILLES WITH CUSTOM SLEEVE
 FOR USE IN DYNAMIC OR STATIC SYSTEMS
 VERTICAL OR HORIZONTAL MOUNT
MODEL: D0100G (TYPES A, B & CR)



QUALIFICATIONS:

- **UL 555 & CAN/ULC-S112 CLASSIFIED DYNAMIC FIRE DAMPER. 1 1/2 hr. label (File # R9492).**
- **Meets all the requirements of UL and NFPA 80, 90A and 101 for fire dampers in dynamic HVAC systems, as well as IBC and NBC (Canada) Building Code requirements.**
- **City of New York Board of Standards and Appeals. Cal. No. 460-88-SA.**
- **California State Fire Marshal: Fire Damper Listing No. 3225-0935:0113.**
- **Maximum velocity: 4000 fpm @ 4" w.g. (20 m/s @ 1 kPa).**

Model D0110G features a factory sleeve with 3/4" (19) grille mounting flanges, that simplifies installation, saves on field labor and eliminates the requirements for unsightly front retaining angles which commonly protrude from behind the grille. Steel grille with correctly located countersunk screwholes is available from Nailor and installs over and completely hides the mounting flanges. The dynamic fire damper is offset in the sleeve 3" (76) as standard to accommodate a single or double deflection supply air grille, single deflection supply air register or a return air grille or register.



STANDARD CONSTRUCTION:

- Frame:** 4 1/4" (108) wide, 22 ga. (0.85) roll-formed G60 galvanized steel.
- Blades:** Curtain type interlocking blades, 22 ga. (0.85) roll-formed G60 galvanized steel.
- Fusible Link:** 165°F (74°C) standard. UL Listed.
212°F (100°C) available.
- Standard Sleeve:** 12" (305) x 20 ga. (1.01) G60 galvanized steel with 3/4" (19) wide grille mounting flanges.
- Blade Closure:** Stainless steel closure springs and galvanized steel locking ramps.

Sizes (Duct W x H):

Velocity/ Pressure Rating	Single Section											
	Minimum						Maximum					
	Vertical			Horizontal			Vertical			Horizontal		
	A	B	C	A	B	C	A	B	C	A	B	C
24	6" x 6" (152 x 152)	6" x 4" (152 x 102)	4" (102) dia.	6" x 6" (152 x 152)	6" x 4" (152 x 102)	4" (102) dia.	24" x 24" (610 x 610)	24" x 21" (610 x 533)	22" (559) dia.	24" x 24" (610 x 610)	24" x 21" (610 x 533)	22" (559) dia.
34, 44	6" x 6" (152 x 152)	6" x 4" (152 x 102)	4" (102) dia.	—	—	—	24" x 24" (610 x 610)	24" x 21" (610 x 533)	22" (559) dia.	—	—	—

Note: Multiple section assemblies are not permitted.

CUSTOM SLEEVE:

Available in 10 (0.35) through 22 ga. (0.85) and 8" to 28" (203 – 711) in length.

SPECIFY:

- Length = _____ .
- Gauge = _____ .
- S Dimension = _____ .

OPTIONS:

- QS1** Quick-set retaining angles (for the rear side of the damper).

DYNAMIC VELOCITY/PRESSURE RATING:

- 24** 2000 fpm @ 4" w.g. (Standard)
- 34** 3000 fpm @ 4" w.g. } (Optional)
- 44** 4000 fpm @ 4" w.g. }

For installation instructions, see IOM-FDGINST.

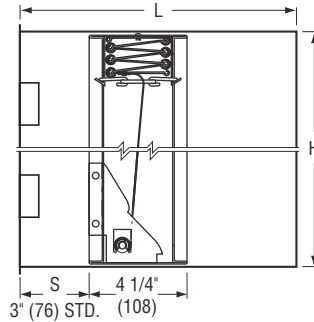
Page 1 of 2

Dimensions are in inches (mm).

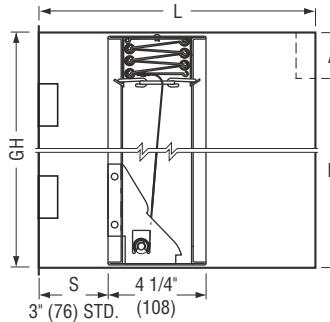
SCHEDULE TYPE:				
PROJECT:				
ENGINEER:	DATE	B SERIES	SUPERSEDES	DRAWING NO.
CONTRACTOR:	11 - 10 - 17	FD	4 - 28 - 14	D0100-6A

STANDARD DAMPER/SLEEVE:

**MODEL D0110G:
TYPE A**



**MODEL D0120G:
TYPE B DUCT CONNECTION ON ONE END
GH = H + A**

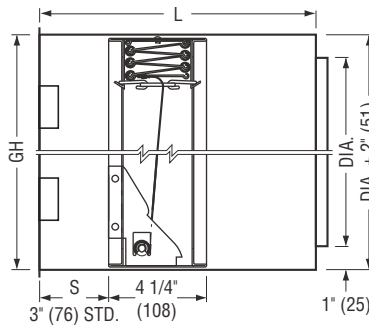


Duct Height (H)	Dim. 'A'
4" - 17" (102 - 432)	2" (51)
18" - 21" (457 - 533)	3" (76)

Nominal Grille Size = W x GH
 GH = H + A

**MODEL D0130G:
TYPE CR ROUND DUCT CONNECTION ON ONE END
GH = DIA. + 2" (51) + A**

Nominal Grille Size = W x GH
 W = Duct Dia. + 2" (51) + A
 GH = Duct Dia. + 2" (51) + A



DETERMINING SLEEVE LENGTH/DAMPER POSITION:

To calculate minimum sleeve length, determine wall thickness and add 3" (76) minimum for rear retaining angles and duct connection. Front of assembly fits flush with wall. Damper offset (dimension 'S') should accommodate grille selection depth, but fire damper blade centerline must remain within the plane of the wall or floor. (Minimum wall thickness = S + 2 1/8" [54]). Maximum allowed sleeve projection is 6" (152). Standard 12" (305) sleeve requires a minimum wall thickness of 6" (152). For thinner walls, a shorter sleeve length is required. A reduced "S" dimension may also be required. For applications where the damper would be outside the plane of the wall or floor, refer to Model D0110GOW.

For installation instructions, see IOM-FDGINST.

Page 2 of 2

Dimensions are in inches (mm).

SCHEDULE TYPE:				
PROJECT:				
ENGINEER:	DATE	B SERIES	SUPERSEDES	DRAWING NO.
CONTRACTOR:	11 - 10 - 17	FD	4 - 28 - 14	D0100-6A